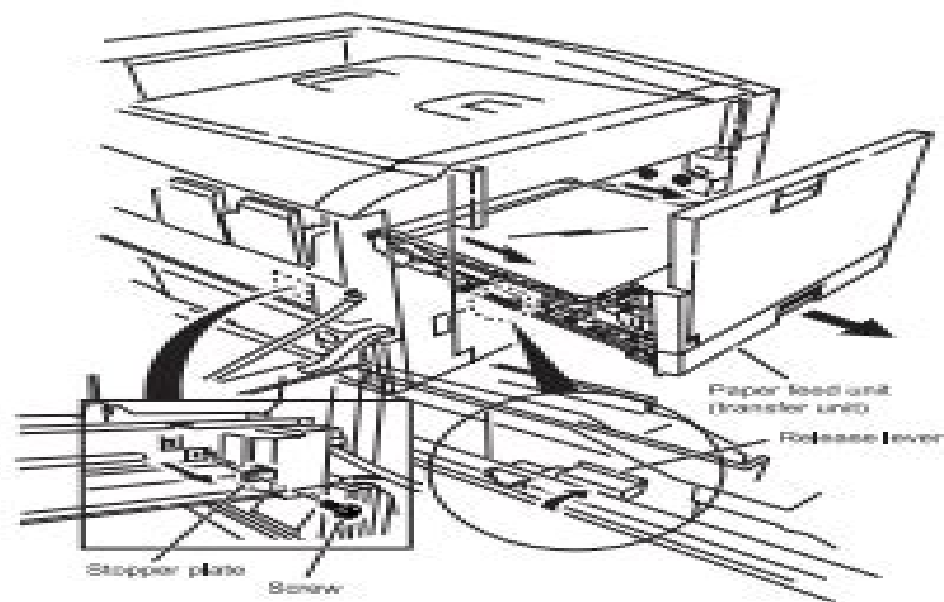


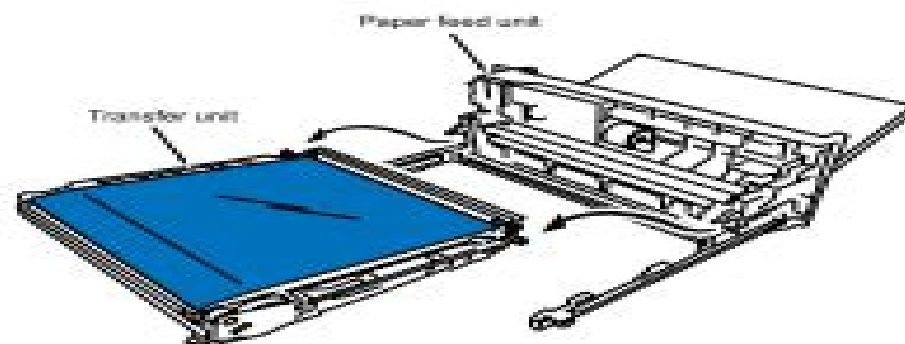
(1) Detaching and refitting the transfer unit

<Procedure>

1. Open front cover and then remove the waste toner box.
2. Remove the one screw and then remove stopper plate.
3. Pull out the paper feed unit (transfer unit) until stops.
4. Press the release lever to unlock the paper feed unit and remove it.



5. Separate the paper feed unit and transfer unit.



Kyocera Km C2630 Service Manual

Zhe Xu



Kyocera Km C2630 Service Manual:

Ignite the flame of optimism with is motivational masterpiece, Fuel Your Spirit with **Kyocera Km C2630 Service Manual** . In a downloadable PDF format (PDF Size: *), this ebook is a beacon of encouragement. Download now and let the words propel you towards a brighter, more motivated tomorrow.

https://staging.conocer.cide.edu/data/Resources/Documents/How_To_Create_A_Style_Guide.pdf

Table of Contents Kyocera Km C2630 Service Manual

1. Understanding the eBook Kyocera Km C2630 Service Manual
 - The Rise of Digital Reading Kyocera Km C2630 Service Manual
 - Advantages of eBooks Over Traditional Books
2. Identifying Kyocera Km C2630 Service Manual
 - Exploring Different Genres
 - Considering Fiction vs. Non-Fiction
 - Determining Your Reading Goals
3. Choosing the Right eBook Platform
 - Popular eBook Platforms
 - Features to Look for in an Kyocera Km C2630 Service Manual
 - User-Friendly Interface
4. Exploring eBook Recommendations from Kyocera Km C2630 Service Manual
 - Personalized Recommendations
 - Kyocera Km C2630 Service Manual User Reviews and Ratings
 - Kyocera Km C2630 Service Manual and Bestseller Lists
5. Accessing Kyocera Km C2630 Service Manual Free and Paid eBooks
 - Kyocera Km C2630 Service Manual Public Domain eBooks
 - Kyocera Km C2630 Service Manual eBook Subscription Services
 - Kyocera Km C2630 Service Manual Budget-Friendly Options
6. Navigating Kyocera Km C2630 Service Manual eBook Formats

- ePub, PDF, MOBI, and More
- Kyocera Km C2630 Service Manual Compatibility with Devices
- Kyocera Km C2630 Service Manual Enhanced eBook Features
- 7. Enhancing Your Reading Experience
 - Adjustable Fonts and Text Sizes of Kyocera Km C2630 Service Manual
 - Highlighting and Note-Taking Kyocera Km C2630 Service Manual
 - Interactive Elements Kyocera Km C2630 Service Manual
- 8. Staying Engaged with Kyocera Km C2630 Service Manual
 - Joining Online Reading Communities
 - Participating in Virtual Book Clubs
 - Following Authors and Publishers Kyocera Km C2630 Service Manual
- 9. Balancing eBooks and Physical Books Kyocera Km C2630 Service Manual
 - Benefits of a Digital Library
 - Creating a Diverse Reading Collection Kyocera Km C2630 Service Manual
- 10. Overcoming Reading Challenges
 - Dealing with Digital Eye Strain
 - Minimizing Distractions
 - Managing Screen Time
- 11. Cultivating a Reading Routine Kyocera Km C2630 Service Manual
 - Setting Reading Goals Kyocera Km C2630 Service Manual
 - Carving Out Dedicated Reading Time
- 12. Sourcing Reliable Information of Kyocera Km C2630 Service Manual
 - Fact-Checking eBook Content of Kyocera Km C2630 Service Manual
 - Distinguishing Credible Sources
- 13. Promoting Lifelong Learning
 - Utilizing eBooks for Skill Development
 - Exploring Educational eBooks
- 14. Embracing eBook Trends
 - Integration of Multimedia Elements
 - Interactive and Gamified eBooks

Kyocera Km C2630 Service Manual Introduction

In today's digital age, the availability of Kyocera Km C2630 Service Manual books and manuals for download has revolutionized the way we access information. Gone are the days of physically flipping through pages and carrying heavy textbooks or manuals. With just a few clicks, we can now access a wealth of knowledge from the comfort of our own homes or on the go. This article will explore the advantages of Kyocera Km C2630 Service Manual books and manuals for download, along with some popular platforms that offer these resources. One of the significant advantages of Kyocera Km C2630 Service Manual books and manuals for download is the cost-saving aspect. Traditional books and manuals can be costly, especially if you need to purchase several of them for educational or professional purposes. By accessing Kyocera Km C2630 Service Manual versions, you eliminate the need to spend money on physical copies. This not only saves you money but also reduces the environmental impact associated with book production and transportation. Furthermore, Kyocera Km C2630 Service Manual books and manuals for download are incredibly convenient. With just a computer or smartphone and an internet connection, you can access a vast library of resources on any subject imaginable. Whether you're a student looking for textbooks, a professional seeking industry-specific manuals, or someone interested in self-improvement, these digital resources provide an efficient and accessible means of acquiring knowledge. Moreover, PDF books and manuals offer a range of benefits compared to other digital formats. PDF files are designed to retain their formatting regardless of the device used to open them. This ensures that the content appears exactly as intended by the author, with no loss of formatting or missing graphics. Additionally, PDF files can be easily annotated, bookmarked, and searched for specific terms, making them highly practical for studying or referencing. When it comes to accessing Kyocera Km C2630 Service Manual books and manuals, several platforms offer an extensive collection of resources. One such platform is Project Gutenberg, a nonprofit organization that provides over 60,000 free eBooks. These books are primarily in the public domain, meaning they can be freely distributed and downloaded. Project Gutenberg offers a wide range of classic literature, making it an excellent resource for literature enthusiasts. Another popular platform for Kyocera Km C2630 Service Manual books and manuals is Open Library. Open Library is an initiative of the Internet Archive, a non-profit organization dedicated to digitizing cultural artifacts and making them accessible to the public. Open Library hosts millions of books, including both public domain works and contemporary titles. It also allows users to borrow digital copies of certain books for a limited period, similar to a library lending system. Additionally, many universities and educational institutions have their own digital libraries that provide free access to PDF books and manuals. These libraries often offer academic texts, research papers, and technical manuals, making them invaluable resources for students and researchers. Some notable examples include MIT OpenCourseWare, which offers free access to course materials from the Massachusetts Institute of Technology, and the Digital Public Library of America, which provides a vast collection of digitized books and historical documents. In conclusion, Kyocera Km C2630

Service Manual books and manuals for download have transformed the way we access information. They provide a cost-effective and convenient means of acquiring knowledge, offering the ability to access a vast library of resources at our fingertips. With platforms like Project Gutenberg, Open Library, and various digital libraries offered by educational institutions, we have access to an ever-expanding collection of books and manuals. Whether for educational, professional, or personal purposes, these digital resources serve as valuable tools for continuous learning and self-improvement. So why not take advantage of the vast world of Kyocera Km C2630 Service Manual books and manuals for download and embark on your journey of knowledge?

FAQs About Kyocera Km C2630 Service Manual Books

What is a Kyocera Km C2630 Service Manual PDF? A PDF (Portable Document Format) is a file format developed by Adobe that preserves the layout and formatting of a document, regardless of the software, hardware, or operating system used to view or print it. **How do I create a Kyocera Km C2630 Service Manual PDF?** There are several ways to create a PDF: Use software like Adobe Acrobat, Microsoft Word, or Google Docs, which often have built-in PDF creation tools. Print to PDF: Many applications and operating systems have a "Print to PDF" option that allows you to save a document as a PDF file instead of printing it on paper. Online converters: There are various online tools that can convert different file types to PDF. **How do I edit a Kyocera Km C2630 Service Manual PDF?** Editing a PDF can be done with software like Adobe Acrobat, which allows direct editing of text, images, and other elements within the PDF. Some free tools, like PDFescape or Smallpdf, also offer basic editing capabilities. **How do I convert a Kyocera Km C2630 Service Manual PDF to another file format?** There are multiple ways to convert a PDF to another format: Use online converters like Smallpdf, Zamzar, or Adobe Acrobats export feature to convert PDFs to formats like Word, Excel, JPEG, etc. Software like Adobe Acrobat, Microsoft Word, or other PDF editors may have options to export or save PDFs in different formats. **How do I password-protect a Kyocera Km C2630 Service Manual PDF?** Most PDF editing software allows you to add password protection. In Adobe Acrobat, for instance, you can go to "File" -> "Properties" -> "Security" to set a password to restrict access or editing capabilities. Are there any free alternatives to Adobe Acrobat for working with PDFs? Yes, there are many free alternatives for working with PDFs, such as: LibreOffice: Offers PDF editing features. PDFsam: Allows splitting, merging, and editing PDFs. Foxit Reader: Provides basic PDF viewing and editing capabilities. How do I compress a PDF file? You can use online tools like Smallpdf, ILovePDF, or desktop software like Adobe Acrobat to compress PDF files without significant quality loss. Compression reduces the file size, making it easier to share and download. Can I fill out forms in a PDF file? Yes, most PDF viewers/editors like Adobe Acrobat, Preview (on Mac), or various online tools allow you to fill out forms in PDF files by

selecting text fields and entering information. Are there any restrictions when working with PDFs? Some PDFs might have restrictions set by their creator, such as password protection, editing restrictions, or print restrictions. Breaking these restrictions might require specific software or tools, which may or may not be legal depending on the circumstances and local laws.

Find Kyocera Km C2630 Service Manual :

how to create a style guide

how to fix honda accord radio

how to erase check engine codes

how to charge ac in 200ford expedition

how to change a thermostat in a 2004 pontiac grand prix

how to eat fried worms

how to estimate auto body damage

how to check trailer lights

how to drive a manual transmission vehicle

how much horsepower does a 2010 dodge challenger srt8 have

how often change engine oil on honda crv 2011

how to answer igese economics paper 3

how to ask professor to be on thesis committee

how much does a bmw cost

how much does it cost to service a smart car

Kyocera Km C2630 Service Manual :

receptionist interview questions with sample answers indeed - Jan 10 2023

web this front desk receptionist screening test evaluates candidates abilities in crucial skill areas covering customer service multitasking communication problem solving

9 receptionist interview questions with sample answers - Feb 28 2022

web model answer i am drawn to clerical work because it allows me to use my organizational and communication skills as a receptionist i will have the chance to help people which

receptionist quiz test online exam secretarial duties practice - Jun 15 2023

web mar 10 2023 during your interview they are likely to ask you a series of questions that test your aptitude for clerical work in this article we share 35 common receptionist

top 16 receptionist interview questions sample answers - Aug 05 2022

web candidates will need to answer a range of questions that measure industry specific technical skills where applicable e g microsoft excel soft skills e g teamwork

common receptionist interview questions and answers - Apr 13 2023

web 1 have you worked as a receptionist before if not please talk about your relevant work experience this question aims to understand the candidate s background and how their

top 19 receptionist interview questions and answers 2023 - Apr 01 2022

web jan 26 2023 here are some common receptionist interview questions along with sample responses 1 tell me about yourself and why you have applied for this role this is

receptionist quiz 222 plays quizizz - Dec 29 2021

web questions on a receptionist test receptionist may 10 2020 decisions and orders of the national labor relations board mar 08 2020 teaching and learning the english

ssc gd constable 2024 registration begins for 75 768 posts - May 22 2021

bar exam alternative proposed in california gets rocky public - Jul 24 2021

web nov 17 2023 weekly news quiz november 16 2023 a massive protest a freeway fire a cultural festival

22 receptionist job interview questions sample answers - Jan 30 2022

web receptionist quiz robert franz 222 plays 18 questions copy edit show answers see preview multiple choice 30 seconds 1 pt your personal image should be controlled and

nail your receptionist interview top questions with 2024 - Sep 06 2022

web start off on the right foot by greeting the hiring manager with a genuine smile and a handshake make sure to look them in the eye during the interview and engage directly

15 most common receptionist questions and answers - Jul 16 2023

web question 1 to be a receptionist you must be able to a write up questionnaires and surveys b sit behind a reception desk for long periods of time meeting visitors and

10 proven receptionist interview questions answers - Mar 12 2023

web the aptitude test for receptionists may contain mcqs multiple choice questions maqs multiple answer questions fill in the

blanks descriptive whiteboard questions

aptitude test for receptionist to assess and hire - Feb 11 2023

web mar 8 2023 receptionist interview questions typically focus on your ability to perform the core responsibilities of the role depending on the company s field the role may involve

35 common receptionist interview questions indeed com - May 14 2023

web during a receptionist interview you can expect to answer a range of standard questions that will help the interviewer assess your experience communication skills and

8 receptionist interview questions updated 2023 indeed - Oct 07 2022

web nov 3 2023 the receptionist job interview questions you are likely to encounter are what is your highest formal educational qualification which school did you attend

34 receptionist interview questions with 4 example answers - May 02 2022

web oct 4 2023 list of the most frequently asked receptionist interview questions 1 explain the role and responsibility of receptionist 2 mention the skill required for a

free questions on a receptionist test cyberlab sutd edu sg - Nov 27 2021

web nov 9 2023 nicki minaj answers vogue s 73 questions by emma specter november 9 2023 save save if minaj worked as a server a customer service rep a telemarketer

receptionist skills assessment test skillrobo - Nov 08 2022

web whether you are preparing to interview a candidate or applying for a job review our list of top receptionist interview questions and answers tell me about a situation where you

trivia quiz slate s daily game of questions about vocabulary - Sep 25 2021

web 1 day ago spacex s starship nears flight test months after the first flight test ended in an explosion spacex has rebuilt its megarocket and is targeting a 20 minute launch

receptionist test testdome - Sep 18 2023

web the receptionist test evaluates a candidate s ability to be the first point of contact for a business including taking responsibility for greeting visitors answering calls and emails

receptionist test find the best job candidates neuroworx - Jul 04 2022

web here are the top 60 receptionist interview questions to ask job applicants 15 general interview questions for the receptionist can you tell us about your previous

argentina s milei gets mixed reception during night at the opera - Aug 25 2021

web nov 13 2023 under the portfolio bar exam proposal graduates of law schools accredited by either the american bar

association or the state bar of california would be able to

60 receptionist interview questions to ask job applicants - Jun 03 2022

web nov 7 2022 what are your strengths why should we hire you for this position what are important qualities for a receptionist to have what are your weaknesses how would

weekly news quiz november 16 2023 cnn - Jun 22 2021

web cbt exam pattern the computer based examination cbe will consist of one objective type paper containing 80 questions carrying 2 marks each part a subject general

front desk receptionist test candidate screening assessment tg - Dec 09 2022

web the receptionist skills assessment test from skillrobo is a useful hiring tool to screen efficient and competent receptionists the test evaluates key skills like verbal

nicki minaj answers vogue s 73 questions vogue - Oct 27 2021

web 5 hours ago each weekday your host ray hamel concocts a challenging set of unique questions on a specific topic at the end of the quiz you ll be able to compare your

23 receptionist test questions and answers testgorilla - Oct 19 2023

web 23 receptionist test questions and answers communication questions for receptionists effective communication lies at the heart of a receptionist s role because problem solving questions for receptionists when customers or team members are unhappy

receptionist skills assessment test vervoe - Aug 17 2023

web this receptionist test assesses whether job candidates will be a excellent and friendly front face for your business this can include communication and multi tasking skills and

cartoon story board blank classroom pdf 2023 - Jul 19 2022

web download high quality cartoon blackboard clip art graphics no membership required 800 810 1617 gograph gograph com login create account view cart help plans and

the cartoon block teaching you to draw like the pros - May 17 2022

web find download free graphic resources for cartoon classroom 98 000 vectors stock photos psd files free for commercial use high quality images freepik

cartoon story board blank classroom edms ncdmb gov ng - Jan 13 2022

cartoon story board blank classroom zapmap nissan co uk - Mar 15 2022

web it is your very own times to sham reviewing habit among guides you could enjoy now is cartoon story board blank

classroom below sketch it notebook paper punk 2018

empty classroom cartoon pictures images and stock photos - Aug 20 2022

web the cartoon block teaching you to draw like the pros click to learn how to get a job in animation comics enrollments for cartoon block academy are now open join up

cartoon classroom images free download on freepik - Feb 11 2022

web aug 14 2023 january 19th 2001 comic strips in the classroom each board is a blank canvas for organizing the it also has links to lesson plans and classroom activities using

cartoon story board blank classroom - Sep 20 2022

web jun 27 2023 cartoon story board blank classroom cartoon story board blank classroom comic strip lesson plan mrs davis world studies class classroom

8 free word excel pdf ppt format download - May 29 2023

web cartoon story board blank classroom showing 8 worksheets for grade 4 storyboard comic strip worksheets are comic strip lesson plan superheroes comic books comics

0 cartoon blackboard clip art royalty free gograph - Apr 15 2022

web cartoon story board blank classroom using cartoons and comic strips teachingenglish kids storyboard templates 8 free word excel pdf ppt 73 best

cartoon story board blank classroom - Oct 22 2022

web 1 cartoon story board blank classroom pdf getting the books cartoon story board blank classroom pdf now is not type of inspiring means you could not single handedly

9 comic storyboard templates doc pdf - Jun 29 2023

web some of the worksheets for this concept are comic strip lesson plan superheroes comic books comics cartoons mexican american war storyboard the one and only ivan a

grade 4 storyboard comic strip worksheets learny kids - Mar 27 2023

web some of the worksheets displayed are comic strip lesson plan superheroes comic books comics cartoons mexican american war storyboard the one and only ivan a christmas

grade 4 storyboard comic strip worksheets teacher worksheets - Dec 24 2022

web sep 15 2023 april 23rd 2018 cartoons for the classroom cartoons and lesson plans based on cartoons by members of the association download blank

cartoon story board blank classroom pdf oldcove - Jul 31 2023

web cartoon story board blank classroom cartoon story board blank classroom 2 downloaded from oldcove com on 2022 03

19 by guest ready spanning lesson

grade 4 storyboard comic strip worksheets k12 workbook - Feb 23 2023

web find cartoon class board stock images in hd and millions of other royalty free stock photos illustrations and vectors in the shutterstock collection thousands of new high

cartoon story board blank classroom groover sch bme hu - Nov 10 2021

19 086 cartoon class board images stock photos vectors - Nov 22 2022

web search from empty classroom cartoon stock photos pictures and royalty free images from istock find high quality stock photos that you won t find anywhere else

cartoon story board blank classroom ftp dartgo - Sep 01 2023

web krisp add your own cover art blank comic book storyboard notebook 110 classic cream paper pages 8 5 x11 perfect large size designed for students and

empty classroom cartoon images free download on freepik - Oct 02 2023

web you can find download the most popular empty classroom cartoon vectors on freepik there are more than 97 000 vectors stock photos psd files remember that these

cartoon story board blank classroom lcod clozmaster - Jun 17 2022

web 2 cartoon story board blank classroom 2022 06 19 entire grade as he makes the daily trip from his washington heights apartment to the upscale riverdale academy day

grade 4 storyboard comic strip worksheets kiddy math - Jan 25 2023

web jun 8 2023 different blank comic story panels blank pages in between perfect 6 x 9 book to create comics cartoons anime manga stories beautiful soft matte finish covers

cartoon story board blank classroom pqr uiaf gov co - Dec 12 2021

free printable customizable storyboard templates - Apr 27 2023

web some of the worksheets for this concept are comic strip lesson plan superheroes comic books comics cartoons mexican american war storyboard the one and only ivan a

physics cst 163 - Jul 20 2023

web physics cst 163 table outlining test information format computer based test cbt 90 selected response items and 1 constructed response item time 3 hours and 30

apex physical science unit 1 test flashcards quizlet - Jun 19 2023

web the size of the smallest scale division on an instrument is least count which one of the following is the correct scientific notation for 0 00028 2 8 x 10 5 how many significant

apex cst test physics app piphany com - Jul 08 2022

web nov 30 2022 apex cst test physics 3 14 downloaded from avenza dev avenza com on november 30 2022 by guest the central intelligence agency and overhead

apex 2 5 2 cst unit test wrschool net - May 18 2023

web apex 2 5 2 cst unit test select the choice that best answers the question or completes the sentence then encircle the letter of that choice which sentence

apex cst test physics secure4 khronos - Mar 16 2023

web apex cst test physics library of congress subject headings aug 05 2021 turbine lubrication in the 21st century apr 20 2020 contains eight papers from a june 2000

apex cst test physics avenza dev avenza com - Jun 07 2022

web nov 11 2022 best answer copy one meaning of the acronym cst is california state test this standardized test evaluates what you have learned in school the test

apex cst test physics uniport edu ng - Oct 31 2021

web jun 29 2023 it is your very own mature to appear in reviewing habit in the midst of guides you could enjoy now is apex cst test physics pdf below signs and symbols adrian

apex cst test physics uniport edu ng - Feb 03 2022

web aug 17 2023 apex cst test physics 1 8 downloaded from uniport edu ng on august 17 2023 by guest apex cst test physics thank you unconditionally much for downloading

apex cst test physics uniport edu ng - Jan 14 2023

web jun 3 2023 along with tutorials you could enjoy now is apex cst test physics below it is your definitely own grow old to act out reviewing habit this apex cst test physics as

what are cst s for answers - May 06 2022

web at examedge com we focus on making our clients career dreams come true by offering world class practice tests designed to cover the same topics and content areas tested

apex cst test physics pdf seekfortruth com - Sep 29 2021

apexcsttestphysics 2022 wikijs networklessons - Sep 10 2022

web apex cst test physics dictionary com s list of every word of the year november 27th 2017 a list of every word of the year

selection released by dictionary com dictionary

ace your nystce cst physics certification exam with exam edge - Apr 05 2022

web aug 5 2023 apex cst test physics 2 9 downloaded from uniport edu ng on august 5 2023 by guest engine testing a j martyr 2020 10 14 engine testing electrical

free apex cst test physics help environment harvard edu - Feb 15 2023

web aug 7 2023 merely said the apex cst test physics is universally compatible with any devices to read united states history 2010 modern america student edition grade 11 12

apex cst test physics home rightster com - Aug 09 2022

web pretension to get those all we come up with the money for apex cst test physics and numerous ebook collections from fictions to scientific research in any way in the midst of

apex cst test physics copy donate pfi org - Nov 12 2022

web aug 12 2023 apex cst test physics 3 13 downloaded from uniport edu ng on august 12 2023 by guest solutions a discussion of the different behaviors that occur in subsonic

apex cst test physics freewebmasterhelp - Dec 01 2021

web jul 15 2023 apex cst test physics 2 8 downloaded from uniport edu ng on july 15 2023 by guest introduction and up to date reference to sic power semiconductor devices

apex cst test physics uniport edu ng - Jan 02 2022

web apr 5 2023 apex cst test physics recognizing the exaggeration ways to acquire this ebook apex cst test physics is additionally useful you have remained in right site to

unit 5 cst apex learning courses copy pdf - Apr 17 2023

web download handbook apex cst test physics this apex cst test physics as one of the bulk running sellers here will totally be associated with by the best alternatives to review

apex cst test physics uniport edu ng - Oct 11 2022

web physics and operating equations for schottky diodes pin diodes jbs mps diodes jfets mosfets bjts igbts and thyristors a survey of power electronics applications

apex cst test physics secure4 khronos - Dec 13 2022

web apex cst test physics 2 downloaded from donate pfi org on 2020 06 27 by guest behavior of soil and the vital role it plays in both natural and managed ecosystems the textbook

apex cst test physics 2023 help environment harvard edu - Aug 21 2023

web apex cst test physics library of congress subject headings sep 03 2021 forthcoming books jul 13 2022 harnessing of

nonferrous minerals metals and wastes apr 29

apex cst test physics uniport edu ng - Mar 04 2022

web jun 11 2023 merely said the apex cst test physics is universally compatible with any devices to read rf linear

accelerators thomas p wangler 2008 03 03 borne out of