

## JACK AND SAFETY STAND (RIGID RACK) POSITIONS

## FRONT

## Jack position:

At the center of the crossmember

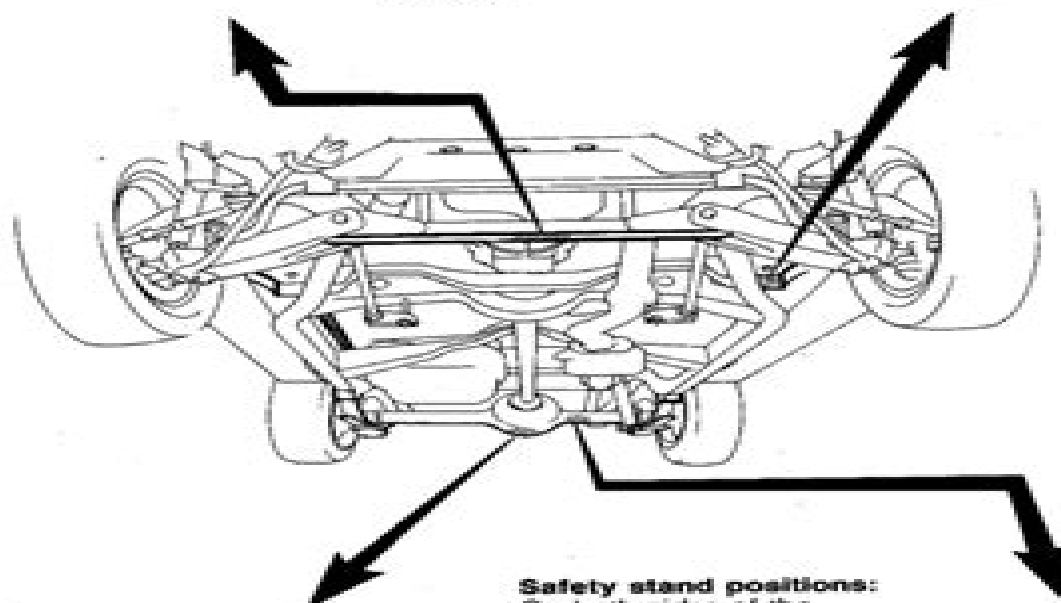
## Safety stand positions:

On both sides of the jack point



4E0000X-018

4E0000X-019



## REAR

## Jack position:

At the center of the differential

## Safety stand positions:

On both sides of the differential



4E0000X-021

4E0000X-022

# Mazda B2600i 4x4 Workshop Manual

**Lingsheng Yao**



## **Mazda B2600i 4x4 Workshop Manual:**

The Top Books of the Year Mazda B2600i 4x4 Workshop Manual The year 2023 has witnessed a remarkable surge in literary brilliance, with numerous compelling novels enthraling the hearts of readers worldwide. Lets delve into the realm of bestselling books, exploring the engaging narratives that have charmed audiences this year. Mazda B2600i 4x4 Workshop Manual : Colleen Hoover's "It Ends with Us" This touching tale of love, loss, and resilience has gripped readers with its raw and emotional exploration of domestic abuse. Hoover skillfully weaves a story of hope and healing, reminding us that even in the darkest of times, the human spirit can triumph. Mazda B2600i 4x4 Workshop Manual : Taylor Jenkins Reids "The Seven Husbands of Evelyn Hugo" This captivating historical fiction novel unravels the life of Evelyn Hugo, a Hollywood icon who defies expectations and societal norms to pursue her dreams. Reids compelling storytelling and compelling characters transport readers to a bygone era, immersing them in a world of glamour, ambition, and self-discovery. Discover the Magic : Delia Owens "Where the Crawdads Sing" This captivating coming-of-age story follows Kya Clark, a young woman who grows up alone in the marshes of North Carolina. Owens weaves a tale of resilience, survival, and the transformative power of nature, entrancing readers with its evocative prose and mesmerizing setting. These popular novels represent just a fraction of the literary treasures that have emerged in 2023. Whether you seek tales of romance, adventure, or personal growth, the world of literature offers an abundance of captivating stories waiting to be discovered. The novel begins with Richard Papen, a bright but troubled young man, arriving at Hampden College. Richard is immediately drawn to the group of students who call themselves the Classics Club. The club is led by Henry Winter, a brilliant and charismatic young man. Henry is obsessed with Greek mythology and philosophy, and he quickly draws Richard into his world. The other members of the Classics Club are equally as fascinating. Bunny Corcoran is a wealthy and spoiled young man who is always looking for a good time. Charles Tavis is a quiet and reserved young man who is deeply in love with Henry. Camilla Macaulay is a beautiful and intelligent young woman who is drawn to the power and danger of the Classics Club. The students are all deeply in love with Morrow, and they are willing to do anything to please him. Morrow is a complex and mysterious figure, and he seems to be manipulating the students for his own purposes. As the students become more involved with Morrow, they begin to commit increasingly dangerous acts. The Secret History is a masterful and suspenseful novel that will keep you wondering until the very end. The novel is a warning tale about the dangers of obsession and the power of evil.

[https://staging.conocer.cide.edu/files/browse/Download\\_PDFS/Mercury\\_Outboard\\_2\\_Stroke\\_75\\_90\\_115hp\\_Service\\_Manual.pdf](https://staging.conocer.cide.edu/files/browse/Download_PDFS/Mercury_Outboard_2_Stroke_75_90_115hp_Service_Manual.pdf)

## **Table of Contents Mazda B2600i 4x4 Workshop Manual**

1. Understanding the eBook Mazda B2600i 4x4 Workshop Manual
  - The Rise of Digital Reading Mazda B2600i 4x4 Workshop Manual
  - Advantages of eBooks Over Traditional Books
2. Identifying Mazda B2600i 4x4 Workshop Manual
  - Exploring Different Genres
  - Considering Fiction vs. Non-Fiction
  - Determining Your Reading Goals
3. Choosing the Right eBook Platform
  - Popular eBook Platforms
  - Features to Look for in an Mazda B2600i 4x4 Workshop Manual
  - User-Friendly Interface
4. Exploring eBook Recommendations from Mazda B2600i 4x4 Workshop Manual
  - Personalized Recommendations
  - Mazda B2600i 4x4 Workshop Manual User Reviews and Ratings
  - Mazda B2600i 4x4 Workshop Manual and Bestseller Lists
5. Accessing Mazda B2600i 4x4 Workshop Manual Free and Paid eBooks
  - Mazda B2600i 4x4 Workshop Manual Public Domain eBooks
  - Mazda B2600i 4x4 Workshop Manual eBook Subscription Services
  - Mazda B2600i 4x4 Workshop Manual Budget-Friendly Options
6. Navigating Mazda B2600i 4x4 Workshop Manual eBook Formats
  - ePub, PDF, MOBI, and More
  - Mazda B2600i 4x4 Workshop Manual Compatibility with Devices
  - Mazda B2600i 4x4 Workshop Manual Enhanced eBook Features
7. Enhancing Your Reading Experience
  - Adjustable Fonts and Text Sizes of Mazda B2600i 4x4 Workshop Manual
  - Highlighting and Note-Taking Mazda B2600i 4x4 Workshop Manual
  - Interactive Elements Mazda B2600i 4x4 Workshop Manual
8. Staying Engaged with Mazda B2600i 4x4 Workshop Manual

- Joining Online Reading Communities
  - Participating in Virtual Book Clubs
  - Following Authors and Publishers Mazda B2600i 4x4 Workshop Manual
9. Balancing eBooks and Physical Books Mazda B2600i 4x4 Workshop Manual
- Benefits of a Digital Library
  - Creating a Diverse Reading Collection Mazda B2600i 4x4 Workshop Manual
10. Overcoming Reading Challenges
- Dealing with Digital Eye Strain
  - Minimizing Distractions
  - Managing Screen Time
11. Cultivating a Reading Routine Mazda B2600i 4x4 Workshop Manual
- Setting Reading Goals Mazda B2600i 4x4 Workshop Manual
  - Carving Out Dedicated Reading Time
12. Sourcing Reliable Information of Mazda B2600i 4x4 Workshop Manual
- Fact-Checking eBook Content of Mazda B2600i 4x4 Workshop Manual
  - Distinguishing Credible Sources
13. Promoting Lifelong Learning
- Utilizing eBooks for Skill Development
  - Exploring Educational eBooks
14. Embracing eBook Trends
- Integration of Multimedia Elements
  - Interactive and Gamified eBooks

### **Mazda B2600i 4x4 Workshop Manual Introduction**

In this digital age, the convenience of accessing information at our fingertips has become a necessity. Whether its research papers, eBooks, or user manuals, PDF files have become the preferred format for sharing and reading documents. However, the cost associated with purchasing PDF files can sometimes be a barrier for many individuals and organizations. Thankfully, there are numerous websites and platforms that allow users to download free PDF files legally. In this article, we will explore some of the best platforms to download free PDFs. One of the most popular platforms to download free PDF files is Project Gutenberg. This online library offers over 60,000 free eBooks that are in the public domain. From classic literature to

historical documents, Project Gutenberg provides a wide range of PDF files that can be downloaded and enjoyed on various devices. The website is user-friendly and allows users to search for specific titles or browse through different categories. Another reliable platform for downloading Mazda B2600i 4x4 Workshop Manual free PDF files is Open Library. With its vast collection of over 1 million eBooks, Open Library has something for every reader. The website offers a seamless experience by providing options to borrow or download PDF files. Users simply need to create a free account to access this treasure trove of knowledge. Open Library also allows users to contribute by uploading and sharing their own PDF files, making it a collaborative platform for book enthusiasts. For those interested in academic resources, there are websites dedicated to providing free PDFs of research papers and scientific articles. One such website is Academia.edu, which allows researchers and scholars to share their work with a global audience. Users can download PDF files of research papers, theses, and dissertations covering a wide range of subjects. Academia.edu also provides a platform for discussions and networking within the academic community. When it comes to downloading Mazda B2600i 4x4 Workshop Manual free PDF files of magazines, brochures, and catalogs, Issuu is a popular choice. This digital publishing platform hosts a vast collection of publications from around the world. Users can search for specific titles or explore various categories and genres. Issuu offers a seamless reading experience with its user-friendly interface and allows users to download PDF files for offline reading. Apart from dedicated platforms, search engines also play a crucial role in finding free PDF files. Google, for instance, has an advanced search feature that allows users to filter results by file type. By specifying the file type as "PDF," users can find websites that offer free PDF downloads on a specific topic. While downloading Mazda B2600i 4x4 Workshop Manual free PDF files is convenient, it's important to note that copyright laws must be respected. Always ensure that the PDF files you download are legally available for free. Many authors and publishers voluntarily provide free PDF versions of their work, but it's essential to be cautious and verify the authenticity of the source before downloading Mazda B2600i 4x4 Workshop Manual. In conclusion, the internet offers numerous platforms and websites that allow users to download free PDF files legally. Whether it's classic literature, research papers, or magazines, there is something for everyone. The platforms mentioned in this article, such as Project Gutenberg, Open Library, Academia.edu, and Issuu, provide access to a vast collection of PDF files. However, users should always be cautious and verify the legality of the source before downloading Mazda B2600i 4x4 Workshop Manual any PDF files. With these platforms, the world of PDF downloads is just a click away.

### **FAQs About Mazda B2600i 4x4 Workshop Manual Books**

1. Where can I buy Mazda B2600i 4x4 Workshop Manual books? Bookstores: Physical bookstores like Barnes & Noble,

- Waterstones, and independent local stores. Online Retailers: Amazon, Book Depository, and various online bookstores offer a wide range of books in physical and digital formats.
2. What are the different book formats available? Hardcover: Sturdy and durable, usually more expensive. Paperback: Cheaper, lighter, and more portable than hardcovers. E-books: Digital books available for e-readers like Kindle or software like Apple Books, Kindle, and Google Play Books.
  3. How do I choose a Mazda B2600i 4x4 Workshop Manual book to read? Genres: Consider the genre you enjoy (fiction, non-fiction, mystery, sci-fi, etc.). Recommendations: Ask friends, join book clubs, or explore online reviews and recommendations. Author: If you like a particular author, you might enjoy more of their work.
  4. How do I take care of Mazda B2600i 4x4 Workshop Manual books? Storage: Keep them away from direct sunlight and in a dry environment. Handling: Avoid folding pages, use bookmarks, and handle them with clean hands. Cleaning: Gently dust the covers and pages occasionally.
  5. Can I borrow books without buying them? Public Libraries: Local libraries offer a wide range of books for borrowing. Book Swaps: Community book exchanges or online platforms where people exchange books.
  6. How can I track my reading progress or manage my book collection? Book Tracking Apps: Goodreads, LibraryThing, and Book Catalogue are popular apps for tracking your reading progress and managing book collections. Spreadsheets: You can create your own spreadsheet to track books read, ratings, and other details.
  7. What are Mazda B2600i 4x4 Workshop Manual audiobooks, and where can I find them? Audiobooks: Audio recordings of books, perfect for listening while commuting or multitasking. Platforms: Audible, LibriVox, and Google Play Books offer a wide selection of audiobooks.
  8. How do I support authors or the book industry? Buy Books: Purchase books from authors or independent bookstores. Reviews: Leave reviews on platforms like Goodreads or Amazon. Promotion: Share your favorite books on social media or recommend them to friends.
  9. Are there book clubs or reading communities I can join? Local Clubs: Check for local book clubs in libraries or community centers. Online Communities: Platforms like Goodreads have virtual book clubs and discussion groups.
  10. Can I read Mazda B2600i 4x4 Workshop Manual books for free? Public Domain Books: Many classic books are available for free as they're in the public domain. Free E-books: Some websites offer free e-books legally, like Project Gutenberg or Open Library.



**Find Mazda B2600i 4x4 Workshop Manual :**

**mercury outboard 2 stroke 75 90 115hp service manual**

**mercury outboard fuel consumption**

**mercruiser heat exchanger plumbing diagram**

*mercury 70hp outboard manual*

*mercury outboard 30 elpt efi service manual*

*mercury 90hp repair manual 1990*

**mercury mariner engine service manual 70hp 115hp 1987 1993**

**mercury 25 hp outboard**

mercruiser standard cooling diagram

mercruiser black scorpion manual

mercury mercruiser marine engines service repair manual 01 to 41

**mercruiser mpi manual**

*mercruiser bravo 1 manual*

*mercury 99 service manual*

**mercury 80 hp 2 stroke service manual**

**Mazda B2600i 4x4 Workshop Manual :**

Common Core Investigations Ratios And Rates Answers May 1, 2002 — Common Core Investigations Ratios And Rates Answers. 7. 7. State Standards ... Common Core Investigations Ratios And Rates Answers. 2020-04-02. CC Investigation 1: Ratios and Rates Understand the concept of a unit rate associated with a ratio  $a : b$  with  $b \neq 0$ , and use rate language in the context of a ratio relationship. Common Core Investigations Teacher's Guide Common Core students entering Grade 7 were introduced to ratios and rates, expressions and equations, integers, and volumes and nets of solids in Grade 6. Ratios and Rates A unit rate is a comparison in which one of the numbers being compared is 1 unit. • If the cost of food is \$250 for 50 students, what is the cost per student? Connecting - Ratios and Rates To answer this question, you find the unit rate. 2.1 Equal Shares. Introducing Unit Rates. Often we share food so that each person gets the same amount ... Common Core Investigations Ratios And Rates Answers (2022) Feb 23, 2023 — INVESTIGATION 1 Growing Patterns: Ratio and Equal Groups. Common Core Additional Investigations - Century Middle. Finding Ratios and Unit Rate | Common Core Sheets Some of the worksheets for this concept are Ratios rates unit rates, Ratios rates unit rates Common Core Investigations Ratios And

Rates Answers ... Ratios ... Ratio and Proportional Relationships | Grade 6 Browse concepts and FlexBooks that are aligned to Common Core Math Standards. ... Recognize a statistical question as one that anticipates variability in the data ... Ratios, Rates, Unit Rates, and Debates! by JL Jensen · 2018 — This article presents one example of a four-corner debate, which focuses on classifying comparison quantities; the possibilities are a ratio, a ... 2005-2007 Jeep Liberty Vehicle Wiring Chart and Diagram Listed below is the vehicle specific wiring diagram for your car alarm, remote starter or keyless entry installation into your 2005-2007 Jeep Liberty . This ... Need wiring diagram for 2006 Jeep Liberty 3.7L automatic Jun 20, 2022 — Need wiring diagram for 2006 Jeep Liberty 3.7L automatic ... I find the starter relay a convenient place to trouble shoot wiring, Check fuses then ... I need to get a wire diagram for the ignition switch....what Aug 16, 2023 — I need to get a wire diagram for the ignition switch....what colors are what and how many I should have in the connector Jeep Liberty. 2006 Jeep Liberty Alarm Wiring - the12volt.com Oct 14, 2006 — This is a 1-wire system with resistors. The keyless entry is built in to the ignition key and works even while the vehicle is running. I need a wiring diagram for a 2006 Jeep Liberty. Have one ... Dec 13, 2007 — I need a wiring diagram for a 2006 Jeep Liberty. Have one? 3.7 L. - Answered by a verified Auto Mechanic. 2006 Jeep Liberty Wiring Diagram 2006 Jeep Liberty Wiring Diagram . 2006 Jeep Liberty Wiring Diagram . A71e0 Kia Radio Wiring Diagrams. E340 ford F 1 Wiring Diagram. Ignition switch wire colors Apr 2, 2019 — Im unsure though of which wires to check for continuity between. I think this is the correct wiring diagram. I found it in my Haynes repair ... Push button start wiring | Jeep KJ and KK Liberty Forum Nov 3, 2012 — Anyone knows what wires to use to install a push button start or have a wire schematic for an 06 libby. ... ignition switch to START by using a ... Wiring Diagrams | Jeep KJ and KK Liberty Forum Apr 26, 2017 — Anybody know where I could find a PDF of wiring diagrams for an '05 Jeep Liberty Renegade? Oxford Bookworms Library: Orca | United States But one day, they meet an orca - a killer whale - one of the most dangerous animals in the sea. And life gets a little too exciting. Part of: Oxford Bookworms ... Oxford Bookworms Library Starter Level: Orca e-book But one day, they meet an orca - a killer whale - one of the most dangerous animals in the sea. And life gets a little too exciting. CEFR A1 Word count 1,600. Orca (Oxford Bookworms Starters) - Amazon.com But one day, they meet an orca and#150; a killer whale and#150; one of the most dangerous animals in the sea. And life gets a little too exciting. Oxford Bookworms Starter. Orca MP3 Pack Oxford Bookworms Starter. Orca MP3 Pack. 3rd Revised edition Edition. ISBN-13: 978-0194620307, ISBN-10: 0194620301. 4.6 4.6 out of 5 stars 11 Reviews. Orca Starter Level Oxford Bookworms Library But one day, they meet an orca - a killer whale - one of the most dangerous animals in the sea. And life gets a little too exciting. Orca Starter Level Oxford Bookworms Library When Tonya and her friends decide to sail around the world they want to see exciting things and visit exciting places. But one day, they meet an orca - a killer ... Oxford Bookworms Library: Starter Level:: Orca Word count 1600 Suitable for young learners - Oxford Bookworms Library: Starter Level:: Orca. ... 5. Oxford Bookworms Library: Starter Level:: Orca. 148 ratings ... Oxford Bookworms Library: Orca: Starter: 250-Word ... Oxford

Bookworms Library: Orca: Starter: 250-Word Vocabulary · Paperback(New Edition) · \$11.00. Oxford Bookworms Library Orca Starter 250-Word ... Oxford Bookworms Library Orca Starter 250-Word Vocabulary Oxf ; Quantity. 9 available ; Item Number. 305164972930 ; ISBN. 9780194234245 ; Book Title. Oxford ...