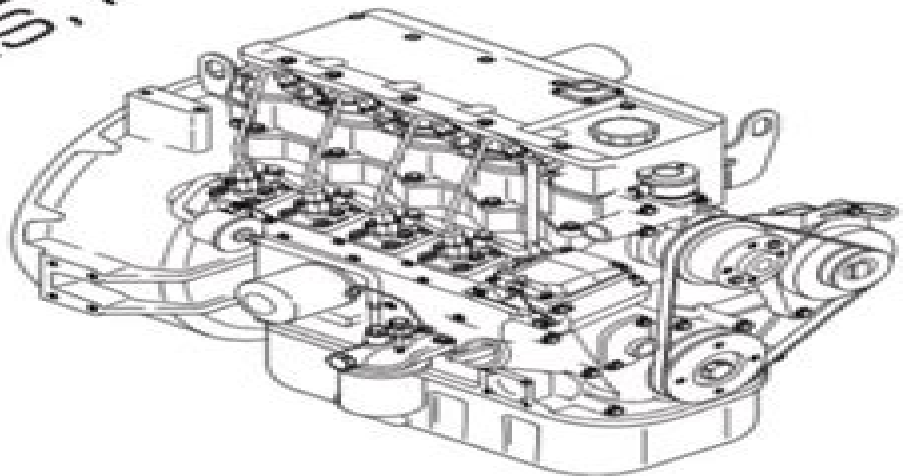


0D9255

GENERAC[®]
POWER SYSTEMS, INC.



2.2 LITER

ISUZU

D I E S E L

***ENGINE
PARTS
MANUAL***

Isuzu Engine Manual

Daniela Niemeyer



Isuzu Engine Manual:

The book delves into Isuzu Engine Manual. Isuzu Engine Manual is an essential topic that needs to be grasped by everyone, from students and scholars to the general public. This book will furnish comprehensive and in-depth insights into Isuzu Engine Manual, encompassing both the fundamentals and more intricate discussions.

1. The book is structured into several chapters, namely:

- Chapter 1: Introduction to Isuzu Engine Manual
- Chapter 2: Essential Elements of Isuzu Engine Manual
- Chapter 3: Isuzu Engine Manual in Everyday Life
- Chapter 4: Isuzu Engine Manual in Specific Contexts
- Chapter 5: Conclusion

2. In chapter 1, the author will provide an overview of Isuzu Engine Manual. The first chapter will explore what Isuzu Engine Manual is, why Isuzu Engine Manual is vital, and how to effectively learn about Isuzu Engine Manual.

3. In chapter 2, the author will delve into the foundational concepts of Isuzu Engine Manual. This chapter will elucidate the essential principles that must be understood to grasp Isuzu Engine Manual in its entirety.

4. In chapter 3, the author will examine the practical applications of Isuzu Engine Manual in daily life. The third chapter will showcase real-world examples of how Isuzu Engine Manual can be effectively utilized in everyday scenarios.

5. In chapter 4, the author will scrutinize the relevance of Isuzu Engine Manual in specific contexts. This chapter will explore how Isuzu Engine Manual is applied in specialized fields, such as education, business, and technology.

6. In chapter 5, this book will draw a conclusion about Isuzu Engine Manual. This chapter will summarize the key points that have been discussed throughout the book.

The book is crafted in an easy-to-understand language and is complemented by engaging illustrations. This book is highly recommended for anyone seeking to gain a comprehensive understanding of Isuzu Engine Manual.

https://staging.conocer.cide.edu/public/scholarship/HomePages/Grade_Business_Studies_Nsc_Limpodoe_November_2014_Memo.pdf

Table of Contents Isuzu Engine Manual

1. Understanding the eBook Isuzu Engine Manual
 - The Rise of Digital Reading Isuzu Engine Manual
 - Advantages of eBooks Over Traditional Books
2. Identifying Isuzu Engine Manual
 - Exploring Different Genres
 - Considering Fiction vs. Non-Fiction
 - Determining Your Reading Goals
3. Choosing the Right eBook Platform
 - Popular eBook Platforms
 - Features to Look for in an Isuzu Engine Manual
 - User-Friendly Interface
4. Exploring eBook Recommendations from Isuzu Engine Manual
 - Personalized Recommendations
 - Isuzu Engine Manual User Reviews and Ratings
 - Isuzu Engine Manual and Bestseller Lists
5. Accessing Isuzu Engine Manual Free and Paid eBooks
 - Isuzu Engine Manual Public Domain eBooks
 - Isuzu Engine Manual eBook Subscription Services
 - Isuzu Engine Manual Budget-Friendly Options
6. Navigating Isuzu Engine Manual eBook Formats
 - ePub, PDF, MOBI, and More
 - Isuzu Engine Manual Compatibility with Devices
 - Isuzu Engine Manual Enhanced eBook Features
7. Enhancing Your Reading Experience
 - Adjustable Fonts and Text Sizes of Isuzu Engine Manual
 - Highlighting and Note-Taking Isuzu Engine Manual
 - Interactive Elements Isuzu Engine Manual
8. Staying Engaged with Isuzu Engine Manual

- Joining Online Reading Communities
 - Participating in Virtual Book Clubs
 - Following Authors and Publishers Isuzu Engine Manual
9. Balancing eBooks and Physical Books Isuzu Engine Manual
- Benefits of a Digital Library
 - Creating a Diverse Reading Collection Isuzu Engine Manual
10. Overcoming Reading Challenges
- Dealing with Digital Eye Strain
 - Minimizing Distractions
 - Managing Screen Time
11. Cultivating a Reading Routine Isuzu Engine Manual
- Setting Reading Goals Isuzu Engine Manual
 - Carving Out Dedicated Reading Time
12. Sourcing Reliable Information of Isuzu Engine Manual
- Fact-Checking eBook Content of Isuzu Engine Manual
 - Distinguishing Credible Sources
13. Promoting Lifelong Learning
- Utilizing eBooks for Skill Development
 - Exploring Educational eBooks
14. Embracing eBook Trends
- Integration of Multimedia Elements
 - Interactive and Gamified eBooks

Isuzu Engine Manual Introduction

Free PDF Books and Manuals for Download: Unlocking Knowledge at Your Fingertips In today's fast-paced digital age, obtaining valuable knowledge has become easier than ever. Thanks to the internet, a vast array of books and manuals are now available for free download in PDF format. Whether you are a student, professional, or simply an avid reader, this treasure trove of downloadable resources offers a wealth of information, conveniently accessible anytime, anywhere. The advent of online libraries and platforms dedicated to sharing knowledge has revolutionized the way we consume information. No longer confined to physical libraries or bookstores, readers can now access an extensive collection of digital books and

manuals with just a few clicks. These resources, available in PDF, Microsoft Word, and PowerPoint formats, cater to a wide range of interests, including literature, technology, science, history, and much more. One notable platform where you can explore and download free Isuzu Engine Manual PDF books and manuals is the internet's largest free library. Hosted online, this catalog compiles a vast assortment of documents, making it a veritable goldmine of knowledge. With its easy-to-use website interface and customizable PDF generator, this platform offers a user-friendly experience, allowing individuals to effortlessly navigate and access the information they seek. The availability of free PDF books and manuals on this platform demonstrates its commitment to democratizing education and empowering individuals with the tools needed to succeed in their chosen fields. It allows anyone, regardless of their background or financial limitations, to expand their horizons and gain insights from experts in various disciplines. One of the most significant advantages of downloading PDF books and manuals lies in their portability. Unlike physical copies, digital books can be stored and carried on a single device, such as a tablet or smartphone, saving valuable space and weight. This convenience makes it possible for readers to have their entire library at their fingertips, whether they are commuting, traveling, or simply enjoying a lazy afternoon at home. Additionally, digital files are easily searchable, enabling readers to locate specific information within seconds. With a few keystrokes, users can search for keywords, topics, or phrases, making research and finding relevant information a breeze. This efficiency saves time and effort, streamlining the learning process and allowing individuals to focus on extracting the information they need. Furthermore, the availability of free PDF books and manuals fosters a culture of continuous learning. By removing financial barriers, more people can access educational resources and pursue lifelong learning, contributing to personal growth and professional development. This democratization of knowledge promotes intellectual curiosity and empowers individuals to become lifelong learners, promoting progress and innovation in various fields. It is worth noting that while accessing free Isuzu Engine Manual PDF books and manuals is convenient and cost-effective, it is vital to respect copyright laws and intellectual property rights. Platforms offering free downloads often operate within legal boundaries, ensuring that the materials they provide are either in the public domain or authorized for distribution. By adhering to copyright laws, users can enjoy the benefits of free access to knowledge while supporting the authors and publishers who make these resources available. In conclusion, the availability of Isuzu Engine Manual free PDF books and manuals for download has revolutionized the way we access and consume knowledge. With just a few clicks, individuals can explore a vast collection of resources across different disciplines, all free of charge. This accessibility empowers individuals to become lifelong learners, contributing to personal growth, professional development, and the advancement of society as a whole. So why not unlock a world of knowledge today? Start exploring the vast sea of free PDF books and manuals waiting to be discovered right at your fingertips.

FAQs About Isuzu Engine Manual Books

1. Where can I buy Isuzu Engine Manual books? Bookstores: Physical bookstores like Barnes & Noble, Waterstones, and independent local stores. Online Retailers: Amazon, Book Depository, and various online bookstores offer a wide range of books in physical and digital formats.
2. What are the different book formats available? Hardcover: Sturdy and durable, usually more expensive. Paperback: Cheaper, lighter, and more portable than hardcovers. E-books: Digital books available for e-readers like Kindle or software like Apple Books, Kindle, and Google Play Books.
3. How do I choose a Isuzu Engine Manual book to read? Genres: Consider the genre you enjoy (fiction, non-fiction, mystery, sci-fi, etc.). Recommendations: Ask friends, join book clubs, or explore online reviews and recommendations. Author: If you like a particular author, you might enjoy more of their work.
4. How do I take care of Isuzu Engine Manual books? Storage: Keep them away from direct sunlight and in a dry environment. Handling: Avoid folding pages, use bookmarks, and handle them with clean hands. Cleaning: Gently dust the covers and pages occasionally.
5. Can I borrow books without buying them? Public Libraries: Local libraries offer a wide range of books for borrowing. Book Swaps: Community book exchanges or online platforms where people exchange books.
6. How can I track my reading progress or manage my book collection? Book Tracking Apps: Goodreads, LibraryThing, and Book Catalogue are popular apps for tracking your reading progress and managing book collections. Spreadsheets: You can create your own spreadsheet to track books read, ratings, and other details.
7. What are Isuzu Engine Manual audiobooks, and where can I find them? Audiobooks: Audio recordings of books, perfect for listening while commuting or multitasking. Platforms: Audible, LibriVox, and Google Play Books offer a wide selection of audiobooks.
8. How do I support authors or the book industry? Buy Books: Purchase books from authors or independent bookstores. Reviews: Leave reviews on platforms like Goodreads or Amazon. Promotion: Share your favorite books on social media or recommend them to friends.
9. Are there book clubs or reading communities I can join? Local Clubs: Check for local book clubs in libraries or community centers. Online Communities: Platforms like Goodreads have virtual book clubs and discussion groups.
10. Can I read Isuzu Engine Manual books for free? Public Domain Books: Many classic books are available for free as they're in the public domain. Free E-books: Some websites offer free e-books legally, like Project Gutenberg or Open Library.

Find Isuzu Engine Manual :

grade business studies nsc limpopodoe november 2014 memo

[grade 8 ems question paper for term 4 2014](#)

~~[grade english literature exam papers](#)~~

grade abrsm theory past papers

[grade english exam paper2013](#)

grade 8 2014 ems final examination paper

[grade 8 dance units ontario](#)

grade economics exemplar p1

grade agricultural sciences november 2014

[grade 8 challenging math problems](#)

grade june exam papers

[grade 9 ems november2014 memo](#)

[grade 9 ns nov 2013 memo](#)

[grade past exam papers with memos](#)

grade business studies exam papers 2014 november

Isuzu Engine Manual :

How to Learn Philology GUA G E—8. T H E. I N D O - E U R O P E A N o n M E T E R- L A N G U A G E, . A N D r r s D E S O B N D A N T S. —WHA T. A N A L s. mE N U N 'r (on rp. How to Become a Philologist: The Complete Guide Oct 7, 2022 — Philology is the study of languages, an especially important sector of the science and research industries. Philologists draw upon vast and ... The Philologist's Guide To Learning New Languages The Philologist's Guide To Learning New Languages · Understanding the obstacles · Conquering the obstacles · Create a plan that you can actually ... Starting with Philology tips? : r/classics I would recommend starting by really learning Greek and Latin, by whatever text book you have found works for you. I'm tandem, read on ancient ... Linguistics: How to self-study linguistics? Mar 23, 2016 — The best way is to read a book about linguistics, preferably an introduction that does not assume prior knowledge of the subject. George Yule's The Study of ... How to Learn Philology How to Learn Philology · A Simple and Introductory Book for Teachers and Learners · by Eustace Hamilton Miles. Buy PDF \$9.50. Studying Linguistics Students of linguistics often begin with a basic understanding of each level of language, then specialize in one or more levels or in a practical application of ... How to Learn Philology: A Simple and Introductory

Book for ... How to Learn Philology: A Simple and Introductory Book for Teachers and Learners (Classic Reprint) [Miles, Eustace Hamilton] on Amazon.com. How to Learn Philology - Eustace Miles How to Learn Philology: A Simple and Introductory Book for Teachers and Learners. Front Cover. Eustace Miles. London, 1899 - Linguistics - 291 pages ... Interested in self-studying linguistics. Where do I start? Start with "The Language Instinct" by Steven Pinker. It's a good introduction, and a good read. My intro to linguistics class assigned this book ... All-in-One Workbook Answer Key: Grade 10 Guide students in locating appropriate texts for each activity. Answers will vary. Students' responses should show an understanding and mastery of the skills ... All-in-One Workbook Answer Key - CALA6 Jan 6, 2013 — All-in-One Workbook Answer Key - CALA6. Focus2 2E Workbook Answers | PDF Workbook answer key. 1.1 Vocabulary Exercise 3 1.4 Reading 5. Do you mind opening Exercise 6 1b What has Emma eaten? 6 cannot/can't stand cleaning 1 Answer Key: Workbook | PDF | Theft | Crime Thriller Workbook answer key B1. Unit 1 GRAMMAR CHALLENGE p6 2. 5 1 What's your name? 2 How often do. Vocabulary p4 you see them? 3 Do you like computer workbook answer key literature All In One Workbook Answer Key For Literature 7 (P) (TM) and a great selection of related books, art and collectibles available now at AbeBooks.com. Pearson Literature 8 All-in-One Workbook Answer Key ... Textbook and beyond Pearson Literature 8 All-in-One Workbook Answer Key (CA)(P) [0133675696] - 2010 Prentice Hall Literature Grade ... (image for) Quality K-12 ... grade-12-workbook.pdf Oct 13, 2016 — What question was the essay writer answering? Choose A, B, C or D. A In what situations do you think computers are most useful? B What has ... Workbook answer key Answers will vary. Exercise 2. 2. A: What's your teacher's name? 3. A: Where is your teacher from ... 12th Grade All Subjects 180 Days Workbook - Amazon.com 12th Grade All Subjects 180 Days Workbook: Grade 12 All In One Homeschool Curriculum: Math, Grammar, Science, History, Social Studies, Reading, Life . Nissan Mistral Workshop Manual - Offroad-Express Oct 19, 2007 — I have a Nissan Mistral 95 LWB TD27 R20. 285000km and smooth, no ... its a 1995 2.7 TD and getting the correct manual has proved impossible ... Nissan Terrano Workshop Manual 1993 - 2006 R20 Free ... Download a free pdf Nissan Terrano workshop manual / factory service manual / repair manual for cars built between 1993 - 2006. Suit R20 series vehicles. NISSAN PATHFINDER TERRANO WD21 1986-1995 ... Get your NISSAN PATHFINDER TERRANO WD21 1986-1995 Workshop Manual | Instant Download! No wait time. Download now for comprehensive repair guidance. free d21 /wd21 workshop manual download including diesel. Mar 14, 2016 — Hi All,. Here's a link to get a free download of the terrano, pathfinder and navara workshop manual complete with diagnostics charts and alsorts ... Nissan Pathfinder / Terrano Factory Service Manual (WD21) Download a free pdf Nissan Pathfinder / Terrano workshop manual / factory service manual / repair manual for cars built between 1985 - 1995. Nissan Terrano 1995-2004 Workshop Repair Manual ... Complete Nissan Terrano 1995-2004 Workshop Service Repair Manual. Containing comprehensive illustrations and wiring diagrams, accurate, clear, step by step ... Nissan Terrano Repair Manual | PDF Nissan Terrano I (Model WD21 Series) (A.k.a. Nissan Pathfinder) Workshop Service Repair Manual 1987-1995 in German

(2,500+ Pages, 262MB, Searchable ... Manuals - Nissan Terrano II R20 Contains 24 PDF files. Repair manuals. 24.4 MB, Spanish. Terrano II R20, 1993 - 2006, terrano ii users drivers manual.pdf. Mozambican Mistral transmission puzzle Dec 6, 2015 — I have been driving it for a year and everything was fine until a few months ago. I had some problems with the injector pump (water) and had it ...