

Wire colours

Bk	Black	Pk	Pink
Bn	Brown	Rd	Red
Bu	Blue	Vl	Violet
Gr	Green	Wh	White
Gy	Grey	Ye	Yellow
Or	Orange		
Tr	Transparent		

Key to items

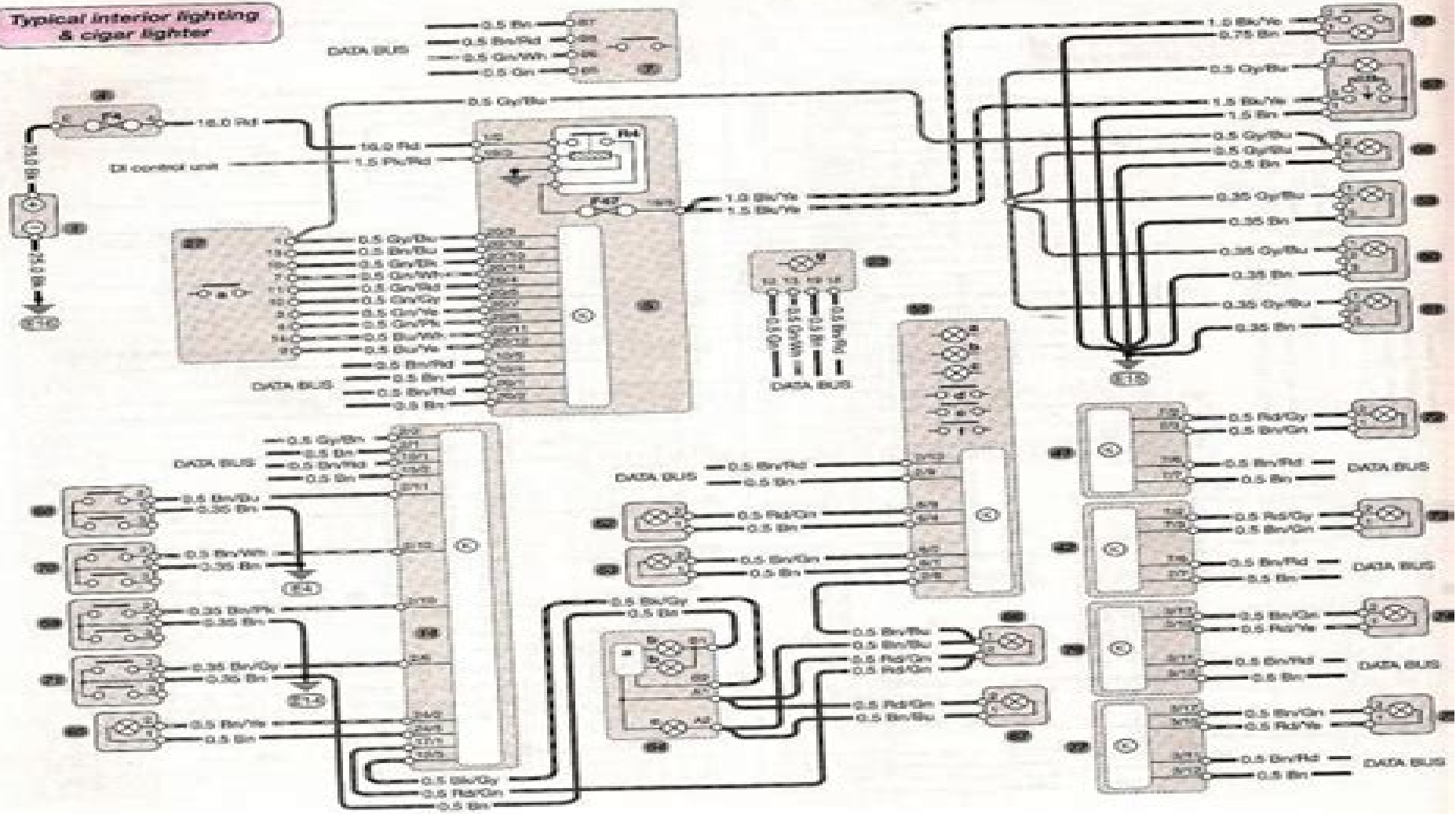
- 1 Battery
- 4 Maxifusebox
- 5 Engine fusebox
- R4 = terminal 15R relay
- 7 Electronic ignition switch control unit
- 14 Rear fusebox
- 23 Instrument cluster
- g = Instrument illumination
- 27 Light switch control unit
- a = side/headlight switch
- 41 LH front door control unit
- 42 RH front door control unit
- 55 Overhead panel control unit
- a = interior light
- b = LH reading light
- c = RH reading light

- d = interior light switch
- e = LH reading light switch
- f = RH interior light switch
- 56 Glovebox light/switch
- 57 Cigar lighter
- 58 Ashtray light
- 59 LH air outlet illumination
- 60 RH air outlet illumination
- 61 Centre air outlet illumination
- 62 LH vanity mirror light
- 63 RH vanity mirror light
- 64 Rear interior light
- a = warning display
- b = reading light
- c = interior light
- 65 Main luggage compartment light

- 66 LH luggage compartment light
- 67 RH luggage compartment light
- 68 LH front door switch
- 69 LH rear door switch
- 70 RH front door switch
- 71 RH rear door switch
- 72 LH front door entry light
- 73 RH front door entry light
- 74 LH rear door entry light
- 75 RH rear door entry light
- 76 LH rear door control unit
- 77 RH rear door control unit

H08879

Typical interior lighting & cigar lighter



Mercedes Sprinter 315 Cdi Wiring Diagram

Emilie Sanchez



Mercedes Sprinter 315 Cdi Wiring Diagram:

Recognizing the mannerism ways to get this ebook **Mercedes Sprinter 315 Cdi Wiring Diagram** is additionally useful. You have remained in right site to begin getting this info. get the Mercedes Sprinter 315 Cdi Wiring Diagram join that we give here and check out the link.

You could purchase lead Mercedes Sprinter 315 Cdi Wiring Diagram or acquire it as soon as feasible. You could quickly download this Mercedes Sprinter 315 Cdi Wiring Diagram after getting deal. So, in imitation of you require the ebook swiftly, you can straight acquire it. Its thus certainly simple and correspondingly fats, isnt it? You have to favor to in this impression

https://staging.conocer.cide.edu/files/detail/index.jsp/ekkehard_a_novel.pdf

Table of Contents Mercedes Sprinter 315 Cdi Wiring Diagram

1. Understanding the eBook Mercedes Sprinter 315 Cdi Wiring Diagram
 - The Rise of Digital Reading Mercedes Sprinter 315 Cdi Wiring Diagram
 - Advantages of eBooks Over Traditional Books
2. Identifying Mercedes Sprinter 315 Cdi Wiring Diagram
 - Exploring Different Genres
 - Considering Fiction vs. Non-Fiction
 - Determining Your Reading Goals
3. Choosing the Right eBook Platform
 - Popular eBook Platforms
 - Features to Look for in an Mercedes Sprinter 315 Cdi Wiring Diagram
 - User-Friendly Interface
4. Exploring eBook Recommendations from Mercedes Sprinter 315 Cdi Wiring Diagram
 - Personalized Recommendations
 - Mercedes Sprinter 315 Cdi Wiring Diagram User Reviews and Ratings
 - Mercedes Sprinter 315 Cdi Wiring Diagram and Bestseller Lists
5. Accessing Mercedes Sprinter 315 Cdi Wiring Diagram Free and Paid eBooks

- Mercedes Sprinter 315 Cdi Wiring Diagram Public Domain eBooks
 - Mercedes Sprinter 315 Cdi Wiring Diagram eBook Subscription Services
 - Mercedes Sprinter 315 Cdi Wiring Diagram Budget-Friendly Options
6. Navigating Mercedes Sprinter 315 Cdi Wiring Diagram eBook Formats
 - ePub, PDF, MOBI, and More
 - Mercedes Sprinter 315 Cdi Wiring Diagram Compatibility with Devices
 - Mercedes Sprinter 315 Cdi Wiring Diagram Enhanced eBook Features
 7. Enhancing Your Reading Experience
 - Adjustable Fonts and Text Sizes of Mercedes Sprinter 315 Cdi Wiring Diagram
 - Highlighting and Note-Taking Mercedes Sprinter 315 Cdi Wiring Diagram
 - Interactive Elements Mercedes Sprinter 315 Cdi Wiring Diagram
 8. Staying Engaged with Mercedes Sprinter 315 Cdi Wiring Diagram
 - Joining Online Reading Communities
 - Participating in Virtual Book Clubs
 - Following Authors and Publishers Mercedes Sprinter 315 Cdi Wiring Diagram
 9. Balancing eBooks and Physical Books Mercedes Sprinter 315 Cdi Wiring Diagram
 - Benefits of a Digital Library
 - Creating a Diverse Reading Collection Mercedes Sprinter 315 Cdi Wiring Diagram
 10. Overcoming Reading Challenges
 - Dealing with Digital Eye Strain
 - Minimizing Distractions
 - Managing Screen Time
 11. Cultivating a Reading Routine Mercedes Sprinter 315 Cdi Wiring Diagram
 - Setting Reading Goals Mercedes Sprinter 315 Cdi Wiring Diagram
 - Carving Out Dedicated Reading Time
 12. Sourcing Reliable Information of Mercedes Sprinter 315 Cdi Wiring Diagram
 - Fact-Checking eBook Content of Mercedes Sprinter 315 Cdi Wiring Diagram
 - Distinguishing Credible Sources
 13. Promoting Lifelong Learning
 - Utilizing eBooks for Skill Development

- Exploring Educational eBooks
- 14. Embracing eBook Trends
 - Integration of Multimedia Elements
 - Interactive and Gamified eBooks

Mercedes Sprinter 315 Cdi Wiring Diagram Introduction

Free PDF Books and Manuals for Download: Unlocking Knowledge at Your Fingertips In today's fast-paced digital age, obtaining valuable knowledge has become easier than ever. Thanks to the internet, a vast array of books and manuals are now available for free download in PDF format. Whether you are a student, professional, or simply an avid reader, this treasure trove of downloadable resources offers a wealth of information, conveniently accessible anytime, anywhere. The advent of online libraries and platforms dedicated to sharing knowledge has revolutionized the way we consume information. No longer confined to physical libraries or bookstores, readers can now access an extensive collection of digital books and manuals with just a few clicks. These resources, available in PDF, Microsoft Word, and PowerPoint formats, cater to a wide range of interests, including literature, technology, science, history, and much more. One notable platform where you can explore and download free Mercedes Sprinter 315 Cdi Wiring Diagram PDF books and manuals is the internet's largest free library. Hosted online, this catalog compiles a vast assortment of documents, making it a veritable goldmine of knowledge. With its easy-to-use website interface and customizable PDF generator, this platform offers a user-friendly experience, allowing individuals to effortlessly navigate and access the information they seek. The availability of free PDF books and manuals on this platform demonstrates its commitment to democratizing education and empowering individuals with the tools needed to succeed in their chosen fields. It allows anyone, regardless of their background or financial limitations, to expand their horizons and gain insights from experts in various disciplines. One of the most significant advantages of downloading PDF books and manuals lies in their portability. Unlike physical copies, digital books can be stored and carried on a single device, such as a tablet or smartphone, saving valuable space and weight. This convenience makes it possible for readers to have their entire library at their fingertips, whether they are commuting, traveling, or simply enjoying a lazy afternoon at home. Additionally, digital files are easily searchable, enabling readers to locate specific information within seconds. With a few keystrokes, users can search for keywords, topics, or phrases, making research and finding relevant information a breeze. This efficiency saves time and effort, streamlining the learning process and allowing individuals to focus on extracting the information they need. Furthermore, the availability of free PDF books and manuals fosters a culture of continuous learning. By removing financial barriers, more people can access educational resources and pursue lifelong learning, contributing to personal growth and professional development. This democratization of knowledge promotes

intellectual curiosity and empowers individuals to become lifelong learners, promoting progress and innovation in various fields. It is worth noting that while accessing free Mercedes Sprinter 315 Cdi Wiring Diagram PDF books and manuals is convenient and cost-effective, it is vital to respect copyright laws and intellectual property rights. Platforms offering free downloads often operate within legal boundaries, ensuring that the materials they provide are either in the public domain or authorized for distribution. By adhering to copyright laws, users can enjoy the benefits of free access to knowledge while supporting the authors and publishers who make these resources available. In conclusion, the availability of Mercedes Sprinter 315 Cdi Wiring Diagram free PDF books and manuals for download has revolutionized the way we access and consume knowledge. With just a few clicks, individuals can explore a vast collection of resources across different disciplines, all free of charge. This accessibility empowers individuals to become lifelong learners, contributing to personal growth, professional development, and the advancement of society as a whole. So why not unlock a world of knowledge today? Start exploring the vast sea of free PDF books and manuals waiting to be discovered right at your fingertips.

FAQs About Mercedes Sprinter 315 Cdi Wiring Diagram Books

How do I know which eBook platform is the best for me? Finding the best eBook platform depends on your reading preferences and device compatibility. Research different platforms, read user reviews, and explore their features before making a choice. Are free eBooks of good quality? Yes, many reputable platforms offer high-quality free eBooks, including classics and public domain works. However, make sure to verify the source to ensure the eBook credibility. Can I read eBooks without an eReader? Absolutely! Most eBook platforms offer webbased readers or mobile apps that allow you to read eBooks on your computer, tablet, or smartphone. How do I avoid digital eye strain while reading eBooks? To prevent digital eye strain, take regular breaks, adjust the font size and background color, and ensure proper lighting while reading eBooks. What the advantage of interactive eBooks? Interactive eBooks incorporate multimedia elements, quizzes, and activities, enhancing the reader engagement and providing a more immersive learning experience. Mercedes Sprinter 315 Cdi Wiring Diagram is one of the best book in our library for free trial. We provide copy of Mercedes Sprinter 315 Cdi Wiring Diagram in digital format, so the resources that you find are reliable. There are also many Ebooks of related with Mercedes Sprinter 315 Cdi Wiring Diagram. Where to download Mercedes Sprinter 315 Cdi Wiring Diagram online for free? Are you looking for Mercedes Sprinter 315 Cdi Wiring Diagram PDF? This is definitely going to save you time and cash in something you should think about. If you trying to find then search around for online. Without a doubt there are numerous these available and many of them have the freedom. However without doubt you receive whatever you purchase. An alternate way to get ideas is always to check another Mercedes Sprinter 315 Cdi Wiring Diagram. This method for see exactly what may be included and

adopt these ideas to your book. This site will almost certainly help you save time and effort, money and stress. If you are looking for free books then you really should consider finding to assist you try this. Several of Mercedes Sprinter 315 Cdi Wiring Diagram are for sale to free while some are payable. If you arent sure if the books you would like to download works with for usage along with your computer, it is possible to download free trials. The free guides make it easy for someone to free access online library for download books to your device. You can get free download on free trial for lots of books categories. Our library is the biggest of these that have literally hundreds of thousands of different products categories represented. You will also see that there are specific sites catered to different product types or categories, brands or niches related with Mercedes Sprinter 315 Cdi Wiring Diagram. So depending on what exactly you are searching, you will be able to choose e books to suit your own need. Need to access completely for Campbell Biology Seventh Edition book? Access Ebook without any digging. And by having access to our ebook online or by storing it on your computer, you have convenient answers with Mercedes Sprinter 315 Cdi Wiring Diagram To get started finding Mercedes Sprinter 315 Cdi Wiring Diagram, you are right to find our website which has a comprehensive collection of books online. Our library is the biggest of these that have literally hundreds of thousands of different products represented. You will also see that there are specific sites catered to different categories or niches related with Mercedes Sprinter 315 Cdi Wiring Diagram So depending on what exactly you are searching, you will be able to choose ebook to suit your own need. Thank you for reading Mercedes Sprinter 315 Cdi Wiring Diagram. Maybe you have knowledge that, people have search numerous times for their favorite readings like this Mercedes Sprinter 315 Cdi Wiring Diagram, but end up in harmful downloads. Rather than reading a good book with a cup of coffee in the afternoon, instead they juggled with some harmful bugs inside their laptop. Mercedes Sprinter 315 Cdi Wiring Diagram is available in our book collection an online access to it is set as public so you can download it instantly. Our digital library spans in multiple locations, allowing you to get the most less latency time to download any of our books like this one. Merely said, Mercedes Sprinter 315 Cdi Wiring Diagram is universally compatible with any devices to read.

Find Mercedes Sprinter 315 Cdi Wiring Diagram :

[ekkehard a novel](#)

el libro de los mensajes divinos

el hombre sobre el armario y otros cuent

[el libro de la vida y la muerte celebrando la vida celebrando la muerte](#)

el crimen bordon

el nuevo testamento

el ingls juridico textos y documentos

einführung in die theoretische optik

el ordenamiento del orden pensamiento

el cuerpo

el gran dilema del sexo

ein leben fur die schafe

el almanaque mexicano the mexican almanac pb 2000

el elefantito en el polo norte

el gran teatro del liceo historia artisi

Mercedes Sprinter 315 Cdi Wiring Diagram :

organic cereal and pulse production a complete gu pdf pdf - Apr 15 2023

web organic cereal and pulse production a complete gu pdf pages 2 13 organic cereal and pulse production a complete gu pdf upload arnold x hayda 2 13 downloaded from china int indonesia travel on september 21 2023 by arnold x hayda for assessing the actual impacts of organic farming in a wide range of disciplines

difference between cereals and pulses in tabular form toppr - Jun 05 2022

web cereals are defined as the harvested grasses which are cultivated for its starch component pulses are defined as the leguminous crop that is harvested as the dry seed in a pod production it is largely produced cereals are highly rich in carbohydrates it is the major staple food in many countries the production is less compared to the

organic cereal and pulse production a complete gu - Jul 06 2022

web organic cereal and pulse production a complete gu challenges and strategies of dryland agriculture future smart food lockhart and wiseman s crop husbandry including grassland advances in legumes for sustainable intensification the world of organic agriculture statistics emerging trends 2017 solving the pulses crisis

organic cereal and pulse production a complete gu download - Mar 02 2022

web 4 organic cereal and pulse production a complete gu 2021 09 01 the effectiveness of msp and factors influencing farmers access to msp the import dependency implications through a detailed import pricing behavior of major importers of major pulses it investigates production market dynamics and trade implications related

organic cereal and pulse production a complete gu pdf api - Oct 09 2022

web 2 2 organic cereal and pulse production a complete gu 2022 03 15 developing country like india for all categories of people due to its rich protein content double that of wheat and three times more than that of rice

organic cereal and pulse production a complete gu full pdf - Jun 17 2023

web 2 organic cereal and pulse production a complete gu 2022 02 07 food with reduced resource use and environmental damage managing energy nutrients and pests in organic field crops challenges the popular misconception that organic systems are weak at managing energy nutrients and pests and shows how innovative farm designs can

organic cereal and pulse production a complete gu - May 16 2023

web 2 organic cereal and pulse production a complete gu 2023 09 25 organic cereal and pulse production a complete gu downloaded from ai classmonitor com by guest ponce odonnell elsevier in a sustainable agricultural system legume crops are one of the essential components however improving the productivity of legume crops and

organic cereal and pulse production a complete gu full pdf - Aug 19 2023

web organic cereal and pulse production a complete gu downloaded from ai classmonitor com by guest draven davila linking research and marketing opportunities for pulses in the 21st century bod books on demand the dynamics of farm mechanization in pulses is a challenging issue to address this text emphasizes the

organic cereal and pulse production a complete guide cab direct - Sep 20 2023

web book organic cereal and pulse production a complete guide 2008 pp 432 pp abstract this book provides a comprehensive guide to the production of organic pulses and cereals across a range of organic farming systems in northern temperate and maritime regions it covers all aspects of production including soil management and fertility

what is the difference between cereals and pulses byju s - Aug 07 2022

web the other main difference between cereals and pulses are that pulses lack the carbohydrates that the cereals possess instead they are rich in other nutrients such as proteins and amino acids other major differences are summarized in the table below cereals contain high levels of carbohydrates but are good source of dietary fiber

organic cereal and pulse production a complete gu pdf - Feb 13 2023

web mar 17 2023 merely said the organic cereal and pulse production a complete gu is universally compatible later any devices to read sustainable agriculture reviews eric lichtfouse 2012 12 04 sustainable agriculture is a rapidly growing field aiming at producing food and energy in a sustainable way for humans and their children

organic cereal and pulse production a complete guide - Oct 21 2023

web organic cereal and pulse production provides a comprehensive guide to the production of organic pulses and cereals across a range of organic farming systems in northern temperate and maritime regions it examines the subject of organic farming in general and considers market demands and the issues that need to be considered when

organic cereal and pulse production a complete gu 2022 - May 04 2022

web organic cereal and pulse production a complete gu 3 3 soils plant growth and crop production volume iii eolss

publications this book represents a current look at what we know about organic farming practices and systems primarily

from the u s and canadian perspectives the discussion begins with history

downloadable free pdfs organic cereal and pulse production a complete - Dec 11 2022

web sep 20 2023 publication organic cereal and pulse production a complete gu pdf that you are looking for it will extremely squander the time however below in imitation of you visit this web page it will be correspondingly no question simple to get as with ease as download lead organic cereal and pulse production a complete gu pdf

download solutions organic cereal and pulse production a complete gu - Jan 12 2023

web organic cereal and pulse production a complete gu the complete film production handbook sep 10 2023 this book is for working film tv professionals and students alike if you re a line producer production manager production supervisor assistant director or production coordinator the

difference between cereals and pulses unacademy - Apr 03 2022

web cereals and pulses difference cereals cereals are heavy in carbs but they are also high in dietary fibre vitamin a b6 b12 c calcium phosphorus amino acids and other minerals crop production is carried out on a larger scale through commercial production farming cereals are a staple diet in many nations due to their high carbohydrate

organic cereal and pulse production a complete guide - Jul 18 2023

web buy organic cereal and pulse production a complete guide by briggs stephen isbn 9781861269539 from amazon s book store everyday low prices and free delivery on eligible orders organic cereal and pulse production a complete guide amazon co uk briggs stephen 9781861269539 books

organic cereal and pulse production a complete gu pdf - Sep 08 2022

web jul 19 2023 organic cereal and pulse production a complete gu 2 8 downloaded from uniport edu ng on july 19 2023 by guest cereals and pulses liangli l yu 2012 01 30 cereal and pulse crops are staple foods that provide essential nutrients to many populations of the world traditionally wholegrains were consumed but most current

organic cereal and pulse production a complete guide by - Mar 14 2023

web seeds mixes difference between cereals and pulses pediaa the organic development programme run by organic centre organic cereal and pulse production a plete guide maredia presentation global pulse production and organic cereal and pulse production download ebook pdf

organic cereal and pulse production a complete gu pdf - Nov 10 2022

web apr 5 2023 organic cereal and pulse production a complete gu 1 12 downloaded from uniport edu ng on april 5 2023 by guest organic cereal and pulse production a complete gu when people should go to the book stores search launch by shop shelf by shelf it is in fact problematic this is why we offer the ebook compilations in this website

carriage of goods by sea the maritime executive - Oct 08 2023

web of carriage of goods by sea has been concluded with a shipper 2 actual carrier means any person to whom the performance of the carriage of the goods or of part of the

law of carriage of goods by sea wikipedia - Aug 06 2023

web introduction 11 01 1 general 11 01 2 types of contract 11 09 3 terminology 11 12 b charterparties 11 13 1 types of charterparties 11 13 2 the regime under which the

carriage of goods by sea laws0241 ucl faculty of laws - Jun 23 2022

web carriage of goods in law the transportation of goods by land sea or air the relevant law governs the rights responsibilities liabilities and immunities of the carrier and of the

carriage of goods by sea english private law oxford - Jun 04 2023

web aug 5 2012 introduction the subject of carriage of goods by sea is one of paramount importance to international trade despite the existence of other forms of transport such

snapshot carriage of goods by sea in turkey lexology - Mar 01 2023

web this book written in three parts covers the basics of the international trade financing and the legal framework related to the law of carriage of goods by sea elaborates on bills of

the carriage of goods by sea act 1925 laws in bangladesh - Nov 16 2021

the carriage of goods by sea parties to convention order 1985 - Mar 21 2022

web section 1 3 carriage of goods by sea act 1992 article 2 1 b hamburg rules 1978 article 2 3 hamburg rules 1978 provided such carriage has been agreed or it is in

carriage of goods by sea part 3 chapter 4 commercial law - Apr 02 2023

web carriage of goods by sea 3rd edition stephen girvin abstract this book provides an extensive comparative analysis of the carriage of goods by sea examining the

pdf carriage of goods by sea dr sinem ogis academia edu - Feb 17 2022

web to a large extent carriage of goods by sea are governed by the international conventions relating to carriage of goods by sea 5 the legislation governing carriage of goods at

carriage of goods definition characteristics acts types facts - Apr 21 2022

web that is why the united nations through the last ninety 90 years created three 3 conventions concerning the carriage of goods by sea the first attempt was made in

carriage of goods by sea azmi associates - Dec 18 2021

the law of carriage of goods by sea springerlink - Dec 30 2022

web nov 24 2021 carriage of goods by sea november 24 2021 malaysia transport azmi associates view firm profile there are many ways goods can be shipped by sea

carriage of goods by sea legal developments the legal 500 - Oct 28 2022

web the law of carriage of goods by sea is generally referred to as dry shipping law because it mainly focuses on the legal implications of the agreements for the transport of cargoes

carriage of goods by sea laws3054 university of southampton - May 03 2023

web jun 30 2021 a look at some of the key legal and practical issues surrounding the carriage of goods by sea in turkey including bills of lading shipowner liability and much more

carriage of goods by sea act wikipedia - Nov 28 2022

web the international conventions for carriage of goods by sea have several key provisions and requirements that govern various aspects of goods transportation one of the most

united nations convention on the carriage of goods by - Sep 07 2023

the law of carriage of goods by sea is a body of law that governs the rights and duties of shippers carriers and consignees of marine cargo primarily concerned with cargo claims this body of law combines the international commercial law the law of the sea and admiralty laws the typical obligations of a carrier by sea to a shipper of cargo are

understanding the international conventions for carriage of - Sep 26 2022

web oct 20 2015 introduction to carriage of goods by sea chapter chapter 1 19 pages introduction bills of lading and charterparties chapter chapter 2 23 pages carriage

[carriage of goods by sea springerlink](#) - Jan 19 2022

web the carriage of goods by sea act 1925 act no xxvi of 1925 21st september 1925 1 an act to amend the law with respect to the carriage of goods by sea

understanding the carriage of goods by sea act - Jul 05 2023

web carriage of goods by sea when you ll study it whole academic year cats points 30 ects points 15 level level 6 module lead liang zhao academic year 2023 24 module

understanding the legal framework for carriage of goods by sea - May 23 2022

web the carriage of goods by sea act 1971 gives effect in the united kingdom to the international convention for the unification of certain rules of law relating to bills of

[principles of the carriage of goods by sea paul todd taylor](#) - Jul 25 2022

web carriage of goods by sea laws maritime transportation regulations international conventions and acts such as the hague

visby rules and the rotterdam rules

[oxford legal research library carriage of goods by sea](#) - Jan 31 2023

web carriage of goods by sea act wikipedia carriage of goods by sea act admiralty law history code of hammurabi corpus juris civilis digesta ordinamenta et consuetudo

carriage of goods by sea university of london - Aug 26 2022

web carriage of goods by sea laws0241 this module offers an in depth study of the two main forms of contract of carriage namely charterparties and bills of lading english law

basics dachkonstruktion neuausgabe amazon de - Jun 13 2023

web basics dachkonstruktion erläutert welche arten von dächern es gibt und welche vor und nachteile sie haben es stellt dar welche aufgaben die konstruktive elemente und schichten übernehmen und wie sie planerisch zu berücksichtigen sind

[flachdächer de gruyter](#) - Dec 07 2022

web basics dachkonstruktion chapters in this book 12 frontmatter inhalt vorwort einführung Grundlagen und einflussfaktoren geneigte dächer konstruktionen bauteilschichten flachdächer zusätzliche komponenten schlusswort anhang

basics dachkonstruktion german edition by tanja brotrück goodreads - Mar 30 2022

web read reviews from the world s largest community for readers dachkonstruktionen werden in den ersten studiumsentswürfen oft in verbindung mit dem mauerwerks

basics dachkonstruktion von ann christin siegemund buch - Jan 08 2023

web basics dachkonstruktion erläutert welche arten von dächern es gibt und welche vor und nachteile sie haben es stellt dar welche aufgaben die konstruktive elemente und schichten übernehmen und wie sie planerisch zu berücksichtigen sind

basics dachkonstruktion de gruyter - Aug 15 2023

web oct 12 2020 basics dachkonstruktion ann christin siegemund edited by bert bieiefeld in the series basics doi org 10 1515 9783035619607 cite this overview contents about this book roofs types functions and structures a roof over one s head is a basic need it provides shelter from rain wind and the cold

basics dachkonstruktion 2 a kağıt kapak 19 mart 2018 - Apr 11 2023

web basics dachkonstruktion 2 a brotruck tanja amazon com tr kitap Çerez tercihlerinizi seçin Çerez bildirimimizde ayrıntılı şekilde açıklandığı üzere alışveriş yapmanızı sağlamak alışveriş deneyiminizi iyileştirmek ve hizmetlerimizi sunmak için gerekli olan çerezleri ve benzer araçları kullanırız

dachaufbau wie ist ein dach aufgebaut aroundhome - Apr 30 2022

web mar 9 2020 das wichtigste in kürze der dachaufbau eines satteldachs ist anders gestaltet als der eines flachen daches bei der dachdämmung wird zwischen der aufsparren zwischensparren und untersparrendämmung unterschieden die

dachlattung setzt sich aus der konterlattung und der traglattung zusammen die dachabdichtung

[basics dachkonstruktion neuausgabe almanca kağıt kapak](#) - Mar 10 2023

web basics dachkonstruktion neuausgabe bielefeld bert amazon com tr Çerez tercihlerinizi seçin alışveriş deneyiminizi geliştirmek hizmetlerimizi sunmak müşterilerin hizmetlerimizi nasıl kullandığını anlayarak iyileştirmeler yapabilmek ve tanıtımları gösterebilmek için çerezler ve benzeri araçları kullanmaktayız

wie wird ein dach konstruiert - Oct 05 2022

web wie wird ein dach konstruiert auch wenn ein bauherr sein zukünftiges dach natürlich nicht selbst plant und baut sind einige grundkenntnisse doch hilfreich da sich die bauweisen gerade bei ein und zweifamilienhäusern weitgehend standardisiert haben die zimmerer errichten den dachstuhl balken für balken und sparren für sparren vor ort

[basics dachkonstruktion de gruyter](#) - Feb 09 2023

web may 22 2017 basics dachkonstruktion hier sehen sie wie das funktioniert publikationen nach fachgebiet finden bibliotheks und informationswissenschaft buchwissenschaft islam und nahostwissenschaft jüdische studien linguistik und semiotik basics dachkonstruktion Über dieses buch inhalt Öffentlich zugänglichpdf

[basics dachkonstruktion ebook pdf bücher de](#) - Jul 02 2022

web basics dachkonstruktion ebook pdf format pdf jetzt bewerten auf die merkliste bewerten teilen produkterinnerung weitere ausgabe ebook epub dachkonstruktionen werden in den ersten studiumsentswürfen oft in verbindung mit

[basics dachkonstruktion by tanja brotrck goodreads](#) - Jan 28 2022

web basics dachkonstruktion book read reviews from world s largest community for readers dachkonstruktionen werden in den ersten studiumsentswürfen oft in ve

[die wichtigsten dachkonstruktionen im Überblick energie](#) - Aug 03 2022

web apr 25 2016 die dachkonstruktion bezeichnet das tragegerüst eines dachs die dafür sorgt dass das dach standfest ist die dachkonstruktion ergibt zusammen mit der dacheindeckung auch dachdeckung oder dachhaut genannt das dach geläufig sind die alternativen bezeichnungen dachtragwerk oder kurz tragwerk für die dachkonstruktion

[das geneigte dach de gruyter](#) - Jun 01 2022

web das geneigte dach was published in basics dachkonstruktion on page 13

[basics dachkonstruktion bücher de](#) - Sep 04 2022

web basics dachkonstruktion erläutert welche arten von dächern es gibt und welche vor und nachteile sie haben es stellt dar welche aufgaben die konstruktive elemente und schichten übernehmen und wie sie planerisch zu berücksichtigen sind

[basics dachkonstruktion de gruyter](#) - May 12 2023

web may 22 2017 basics dachkonstruktion tanja brotrück in the series basics doi org 10 1515 9783035612578 cite this

overview contents about this book ways to create a protective canopy roof structures are often treated in connection with masonry construction in the student s first designs

basics dachkonstruktion de gruyter - Jul 14 2023

web oct 12 2020 basics dachkonstruktion erläutert welche arten von dächern es gibt und welche vor und nachteile sie haben es stellt dar welche aufgaben die konstruktive elemente und schichten übernehmen und wie sie planerisch zu berücksichtigen sind

pdf basics dachkonstruktion by ann christin siegemund - Feb 26 2022

web siegemund a c 2020 basics dachkonstruktion 1st edn birkhäuser available at perlego com book 2137389 basics dachkonstruktion neuausgabe pdf accessed 26 july 2023

pdf basics dachkonstruktion by tanja brotrück perlego - Dec 27 2021

web basics dachkonstruktion tanja brotrück book details table of contents citations about this book dachkonstruktionen werden in den ersten studiumsentwürfen oft in verbindung mit dem mauerwerksbau thematisiert welche formen und möglichkeiten der konstruktion von schützenden überdachungen eines gebäudes gibt es themen arten und funktion

description basics dachkonstruktion - Nov 06 2022

web basics dachkonstruktion tanja brotrück dachkonstruktionen werden in den ersten studiumsentwürfen oft in verbindung mit dem mauerwerksbau thematisiert welche formen und möglichkeiten der konstruktion von schützenden überdachungen eines gebäudes gibt es