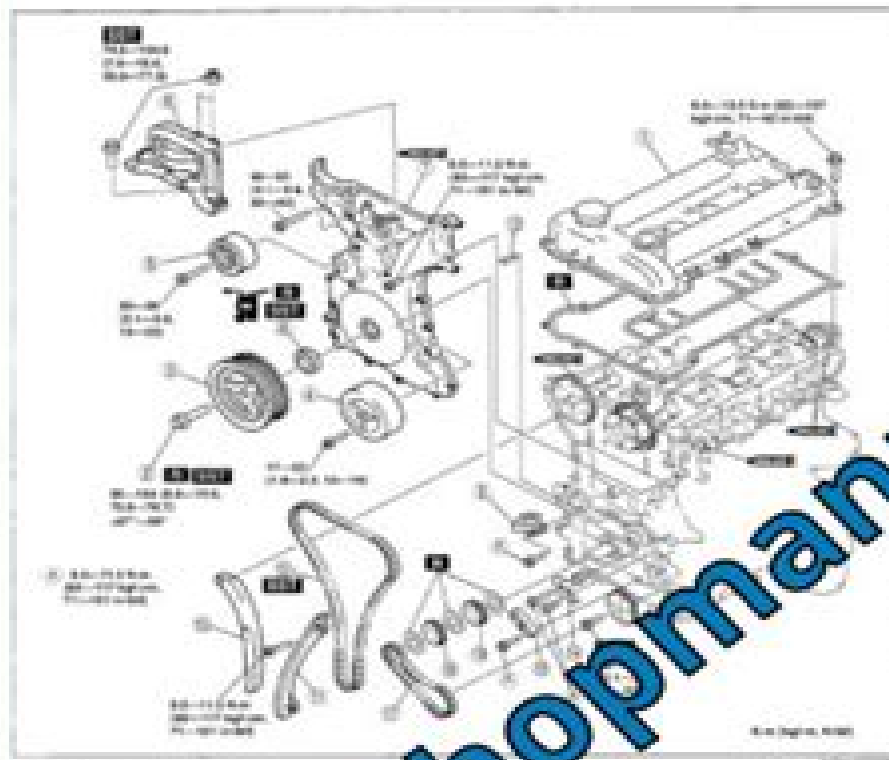


Mazda 3 2004-2009 Workshop Manual



1	Cylinder head cover (Mazda 1.8L 12-Cylinder Head Cover Removal Note.) (Mazda 1.8L 18-Cylinder Head Cover Installation Note.)	10	Oil pump cover gasket (Mazda 1.8L 18-Cylinder Head Cover Removal Note.) (Mazda 1.8L 18-Cylinder Head Cover Installation Note.)
2	Camshaft pulley bolt (Mazda 1.8L 12-Cylinder Head Cover Removal Note.) (Mazda 1.8L 18-Cylinder Head Cover Installation Note.)	11	Oil pump cover (Mazda 1.8L 18-Cylinder Head Cover Removal Note.) (Mazda 1.8L 18-Cylinder Head Cover Installation Note.)
3	Camshaft pulley (Mazda 1.8L 12-Cylinder Head Cover Removal Note.) (Mazda 1.8L 18-Cylinder Head Cover Installation Note.)	12	Oil pump cover gasket (Mazda 1.8L 18-Cylinder Head Cover Removal Note.) (Mazda 1.8L 18-Cylinder Head Cover Installation Note.)
4	Camshaft pulley bolt (Mazda 1.8L 12-Cylinder Head Cover Removal Note.) (Mazda 1.8L 18-Cylinder Head Cover Installation Note.)	13	Oil pump cover (Mazda 1.8L 18-Cylinder Head Cover Removal Note.) (Mazda 1.8L 18-Cylinder Head Cover Installation Note.)
5	Camshaft pulley (Mazda 1.8L 12-Cylinder Head Cover Removal Note.) (Mazda 1.8L 18-Cylinder Head Cover Installation Note.)	14	Oil pump cover gasket (Mazda 1.8L 18-Cylinder Head Cover Removal Note.) (Mazda 1.8L 18-Cylinder Head Cover Installation Note.)
6	Camshaft pulley bolt (Mazda 1.8L 12-Cylinder Head Cover Removal Note.) (Mazda 1.8L 18-Cylinder Head Cover Installation Note.)	15	Oil pump cover (Mazda 1.8L 18-Cylinder Head Cover Removal Note.) (Mazda 1.8L 18-Cylinder Head Cover Installation Note.)
7	Camshaft pulley (Mazda 1.8L 12-Cylinder Head Cover Removal Note.) (Mazda 1.8L 18-Cylinder Head Cover Installation Note.)	16	Oil pump cover gasket (Mazda 1.8L 18-Cylinder Head Cover Removal Note.) (Mazda 1.8L 18-Cylinder Head Cover Installation Note.)
8	Camshaft pulley bolt (Mazda 1.8L 12-Cylinder Head Cover Removal Note.) (Mazda 1.8L 18-Cylinder Head Cover Installation Note.)	17	Oil pump cover (Mazda 1.8L 18-Cylinder Head Cover Removal Note.) (Mazda 1.8L 18-Cylinder Head Cover Installation Note.)
9	Camshaft pulley (Mazda 1.8L 12-Cylinder Head Cover Removal Note.) (Mazda 1.8L 18-Cylinder Head Cover Installation Note.)	18	Oil pump cover gasket (Mazda 1.8L 18-Cylinder Head Cover Removal Note.) (Mazda 1.8L 18-Cylinder Head Cover Installation Note.)

26. Install the exhaust manifold gasket.

Caution

- Do not tighten the exhaust manifold gasket installation bolt at this stage. Verify the gasket fitting before performing the bolt tightening.

26. Install the **BBT** on the camshaft sprocket.
26. Remove the installation bolt from the cover upper blind plug. **BBT** Part No. 90900-00000. **BBT** Part No. 90900-00000. **BBT** Part No. 90900-00000. **BBT** Part No. 90900-00000.
27. Rotate the crankshaft clockwise two turns and verify that the top of the **BBT** of the compression stroke is in contact with the weight contacts the **BBT**.

27. Tighten the exhaust manifold using a wrench on the flange, and tighten the sprocket installation bolt.

Tightening torque

88–75 N·m (7.3–7.8 kgf·m, 64–55 ft·lb)

28. Remove the **BBT** from the camshaft.
28. Remove the **BBT** installed in the cylinder block cover blind plug hole.
28. Rotate the crankshaft clockwise two turns and repeat the cable fitting.
 - If it is not aligned, repeat the procedure.
28. Apply the electric system and install the engine front cover upper blind plug.

Tightening torque

8.0–11.5 N·m (0.8–1.17 kgf·m, 71–101 in·lb)

27. Install the cylinder block lower blind plug.

Tightening torque

18–22 N·m (1.8–2.2 kgf·m, 14–16 ft·lb)

PDF
DOWNLOAD

Mazda T46workshop Manual

Wolfgang Guggemos



Mazda T46workshop Manual:

Unveiling the Magic of Words: A Report on "**Mazda T46workshop Manual**"

In some sort of defined by information and interconnectivity, the enchanting power of words has acquired unparalleled significance. Their ability to kindle emotions, provoke contemplation, and ignite transformative change is really awe-inspiring. Enter the realm of "**Mazda T46workshop Manual**," a mesmerizing literary masterpiece penned by a distinguished author, guiding readers on a profound journey to unravel the secrets and potential hidden within every word. In this critique, we shall delve in to the book is central themes, examine its distinctive writing style, and assess its profound impact on the souls of its readers.

https://staging.conocer.cide.edu/book/uploaded-files/default.aspx/homeowners_guide_to_wood_stoves.pdf

Table of Contents Mazda T46workshop Manual

1. Understanding the eBook Mazda T46workshop Manual
 - The Rise of Digital Reading Mazda T46workshop Manual
 - Advantages of eBooks Over Traditional Books
2. Identifying Mazda T46workshop Manual
 - Exploring Different Genres
 - Considering Fiction vs. Non-Fiction
 - Determining Your Reading Goals
3. Choosing the Right eBook Platform
 - Popular eBook Platforms
 - Features to Look for in an Mazda T46workshop Manual
 - User-Friendly Interface
4. Exploring eBook Recommendations from Mazda T46workshop Manual
 - Personalized Recommendations
 - Mazda T46workshop Manual User Reviews and Ratings
 - Mazda T46workshop Manual and Bestseller Lists

5. Accessing Mazda T46workshop Manual Free and Paid eBooks
 - Mazda T46workshop Manual Public Domain eBooks
 - Mazda T46workshop Manual eBook Subscription Services
 - Mazda T46workshop Manual Budget-Friendly Options
6. Navigating Mazda T46workshop Manual eBook Formats
 - ePub, PDF, MOBI, and More
 - Mazda T46workshop Manual Compatibility with Devices
 - Mazda T46workshop Manual Enhanced eBook Features
7. Enhancing Your Reading Experience
 - Adjustable Fonts and Text Sizes of Mazda T46workshop Manual
 - Highlighting and Note-Taking Mazda T46workshop Manual
 - Interactive Elements Mazda T46workshop Manual
8. Staying Engaged with Mazda T46workshop Manual
 - Joining Online Reading Communities
 - Participating in Virtual Book Clubs
 - Following Authors and Publishers Mazda T46workshop Manual
9. Balancing eBooks and Physical Books Mazda T46workshop Manual
 - Benefits of a Digital Library
 - Creating a Diverse Reading Collection Mazda T46workshop Manual
10. Overcoming Reading Challenges
 - Dealing with Digital Eye Strain
 - Minimizing Distractions
 - Managing Screen Time
11. Cultivating a Reading Routine Mazda T46workshop Manual
 - Setting Reading Goals Mazda T46workshop Manual
 - Carving Out Dedicated Reading Time
12. Sourcing Reliable Information of Mazda T46workshop Manual
 - Fact-Checking eBook Content of Mazda T46workshop Manual
 - Distinguishing Credible Sources
13. Promoting Lifelong Learning

- Utilizing eBooks for Skill Development
 - Exploring Educational eBooks
14. Embracing eBook Trends
- Integration of Multimedia Elements
 - Interactive and Gamified eBooks

Mazda T46workshop Manual Introduction

Free PDF Books and Manuals for Download: Unlocking Knowledge at Your Fingertips In today's fast-paced digital age, obtaining valuable knowledge has become easier than ever. Thanks to the internet, a vast array of books and manuals are now available for free download in PDF format. Whether you are a student, professional, or simply an avid reader, this treasure trove of downloadable resources offers a wealth of information, conveniently accessible anytime, anywhere. The advent of online libraries and platforms dedicated to sharing knowledge has revolutionized the way we consume information. No longer confined to physical libraries or bookstores, readers can now access an extensive collection of digital books and manuals with just a few clicks. These resources, available in PDF, Microsoft Word, and PowerPoint formats, cater to a wide range of interests, including literature, technology, science, history, and much more. One notable platform where you can explore and download free Mazda T46workshop Manual PDF books and manuals is the internet's largest free library. Hosted online, this catalog compiles a vast assortment of documents, making it a veritable goldmine of knowledge. With its easy-to-use website interface and customizable PDF generator, this platform offers a user-friendly experience, allowing individuals to effortlessly navigate and access the information they seek. The availability of free PDF books and manuals on this platform demonstrates its commitment to democratizing education and empowering individuals with the tools needed to succeed in their chosen fields. It allows anyone, regardless of their background or financial limitations, to expand their horizons and gain insights from experts in various disciplines. One of the most significant advantages of downloading PDF books and manuals lies in their portability. Unlike physical copies, digital books can be stored and carried on a single device, such as a tablet or smartphone, saving valuable space and weight. This convenience makes it possible for readers to have their entire library at their fingertips, whether they are commuting, traveling, or simply enjoying a lazy afternoon at home. Additionally, digital files are easily searchable, enabling readers to locate specific information within seconds. With a few keystrokes, users can search for keywords, topics, or phrases, making research and finding relevant information a breeze. This efficiency saves time and effort, streamlining the learning process and allowing individuals to focus on extracting the information they need. Furthermore, the availability of free PDF books and manuals fosters a culture of continuous learning. By removing financial barriers, more people can access educational resources and pursue lifelong learning, contributing to personal

growth and professional development. This democratization of knowledge promotes intellectual curiosity and empowers individuals to become lifelong learners, promoting progress and innovation in various fields. It is worth noting that while accessing free Mazda T46workshop Manual PDF books and manuals is convenient and cost-effective, it is vital to respect copyright laws and intellectual property rights. Platforms offering free downloads often operate within legal boundaries, ensuring that the materials they provide are either in the public domain or authorized for distribution. By adhering to copyright laws, users can enjoy the benefits of free access to knowledge while supporting the authors and publishers who make these resources available. In conclusion, the availability of Mazda T46workshop Manual free PDF books and manuals for download has revolutionized the way we access and consume knowledge. With just a few clicks, individuals can explore a vast collection of resources across different disciplines, all free of charge. This accessibility empowers individuals to become lifelong learners, contributing to personal growth, professional development, and the advancement of society as a whole. So why not unlock a world of knowledge today? Start exploring the vast sea of free PDF books and manuals waiting to be discovered right at your fingertips.

FAQs About Mazda T46workshop Manual Books

How do I know which eBook platform is the best for me? Finding the best eBook platform depends on your reading preferences and device compatibility. Research different platforms, read user reviews, and explore their features before making a choice. Are free eBooks of good quality? Yes, many reputable platforms offer high-quality free eBooks, including classics and public domain works. However, make sure to verify the source to ensure the eBook credibility. Can I read eBooks without an eReader? Absolutely! Most eBook platforms offer webbased readers or mobile apps that allow you to read eBooks on your computer, tablet, or smartphone. How do I avoid digital eye strain while reading eBooks? To prevent digital eye strain, take regular breaks, adjust the font size and background color, and ensure proper lighting while reading eBooks. What the advantage of interactive eBooks? Interactive eBooks incorporate multimedia elements, quizzes, and activities, enhancing the reader engagement and providing a more immersive learning experience. Mazda T46workshop Manual is one of the best book in our library for free trial. We provide copy of Mazda T46workshop Manual in digital format, so the resources that you find are reliable. There are also many Ebooks of related with Mazda T46workshop Manual. Where to download Mazda T46workshop Manual online for free? Are you looking for Mazda T46workshop Manual PDF? This is definitely going to save you time and cash in something you should think about. If you trying to find then search around for online. Without a doubt there are numerous these available and many of them have the freedom. However without doubt you receive whatever you purchase. An alternate way to get ideas is always to check another Mazda T46workshop Manual. This

method for see exactly what may be included and adopt these ideas to your book. This site will almost certainly help you save time and effort, money and stress. If you are looking for free books then you really should consider finding to assist you try this. Several of Mazda T46workshop Manual are for sale to free while some are payable. If you arent sure if the books you would like to download works with for usage along with your computer, it is possible to download free trials. The free guides make it easy for someone to free access online library for download books to your device. You can get free download on free trial for lots of books categories. Our library is the biggest of these that have literally hundreds of thousands of different products categories represented. You will also see that there are specific sites catered to different product types or categories, brands or niches related with Mazda T46workshop Manual. So depending on what exactly you are searching, you will be able to choose e books to suit your own need. Need to access completely for Campbell Biology Seventh Edition book? Access Ebook without any digging. And by having access to our ebook online or by storing it on your computer, you have convenient answers with Mazda T46workshop Manual To get started finding Mazda T46workshop Manual, you are right to find our website which has a comprehensive collection of books online. Our library is the biggest of these that have literally hundreds of thousands of different products represented. You will also see that there are specific sites catered to different categories or niches related with Mazda T46workshop Manual So depending on what exactly you are searching, you will be able tochoose ebook to suit your own need. Thank you for reading Mazda T46workshop Manual. Maybe you have knowledge that, people have search numerous times for their favorite readings like this Mazda T46workshop Manual, but end up in harmful downloads. Rather than reading a good book with a cup of coffee in the afternoon, instead they juggled with some harmful bugs inside their laptop. Mazda T46workshop Manual is available in our book collection an online access to it is set as public so you can download it instantly. Our digital library spans in multiple locations, allowing you to get the most less latency time to download any of our books like this one. Merely said, Mazda T46workshop Manual is universally compatible with any devices to read.

Find Mazda T46workshop Manual :

homeowners guide to wood stoves

home crafts handbook 2nd edition

[home cooking poems](#)

homespun domestic arts & crafts of mormon pioneers

home transfusion therapy

homology the hierarchial basis of comparative biology

homefront the military war and gender in twentiethcentury germany

homosexuality law and resistance

home decorating for dummies

homocons the rise of the gay rights

homogeneous relativistic cosmologies princeton series in physics

~~homer and the epic a shortened version of the songs of homer~~

home-school connection a guide to forming family-school partnerships celebrate reading grade 6

home sweet home domestic life since 1945 britains way of life past and present

homosexuality vs. gay liberation

Mazda T46workshop Manual :

the library □ □□□□□□□□□ - Sep 04 2022

web the library □ □□□□□□ □□□□□□□□□□□□□□□□□ □□□□□□□□□□□ □□□□□ □□□□□□□□□□□ □□□□□ □□□□□□□□□□□□

the library bar grand hyatt istanbul hyattrestaurants.com - Apr 30 2022

web reflecting the style of a traditional english gentleman s club the library bar serves fine whiskeys cognacs wines and champagnes during your visit to grand hyatt istanbul relax by the fire as you sip craft cocktails in a comfortable armchair or grab a seat at the bar and catch up with friends

about the library rami kütüphanesi - Jul 14 2023

web opened in january 2023 the rami library stands out as the largest library complex in europe offering a collection of millions of volumes as well as special libraries and common areas catering to readers of all ages

library wikipedia - Oct 05 2022

web a library is a collection of books and possibly other materials and media that is accessible for use by its members and members of allied institutions libraries provide physical hard copies or digital access soft copies materials and may be a

tureng library türkçe İngilizce sözlük - Jun 01 2022

web kelime ve terimleri çevir ve farklı aksanlarda sesli dinleme library kitaplık library kütüphane library administration ne demek türkçe İngilizce almanca İngilizce

istanbul s largest library complex set to open its doors - Feb 26 2022

web jan 11 2023 a side view of rami library which is set to open on jan 13 in istanbul türkiye dha photo dating back to the middle of the eighth century the rami barracks is revived as the rami library after restoration renovation and rebuilding works that lasted for around four years

z library project electronic library download books free - Feb 09 2023

web z library the world s largest ebook library ebooks library find books download free online books store on z library
list of libraries in istanbul wikipedia - Dec 27 2021

web this is a list of libraries within the city limits of istanbul some of the most important libraries are american library
amerikan kütüphanesi tepebaşı atatürk library taksim beyazıt state library beyazıt halide edip adıvar library Üsküdar
american academy bağlarbaşı istanbul celik gulersoy library Çelik gülersoy

library english meaning cambridge dictionary - Nov 06 2022

web a building room or organization that has a collection of books documents music and sometimes things such as tools or
artwork for people to borrow usually without

home rami kütüphanesi - Apr 11 2023

web the adult library is designed to meet the needs of all adult users especially undergraduate and graduate students
scholars and researchers featuring reading and study halls that are open around the clock the adult library provides a
comfortable and

welcome to open library open library - Aug 15 2023

web open library is an open editable library catalog building towards a web page for every book ever published read borrow
and discover more than 3m books for free

z library project search download free books zlibrary - Mar 10 2023

web load more pdf files zlibrary hope give books away get books you want welcome to zlibrary a comprehensive digital
library platform designed to provide free access to a vast collection of e books and articles spanning various genres and
topics

koç university suna kıraç library hayalinikeşfet - Jan 08 2023

web 22nd of february monday 12 30 find your way in the library world 22 march monday 12 30 literature review in the
sciences 22 march monday 16 00 repositories for data sharing and searching for existing datasets 24 march wednesday 12
30 de gruyter search tips 26 march friday 12 30 covid 19 searching for reliable information in

tureng library türkçe İngilizce sözlük - Jul 02 2022

web library i toplanmış dna dizilerinden üretilen ve proteinlerin hastalıklardaki metabolik işlevlerini incelemek yeni ilaçlar
sentezlemek ve diğer proteomik araştırmaları yürütmek için kullanılan protein koleksiyonu librarianship 14 kütüphanecilik
library i bir yazara ait olduğu kanıtlanmış eserler

library definition history types facts britannica - Aug 03 2022

web sep 5 2023 library traditionally collection of books used for reading or study or the building or room in which such a
collection is kept the word derives from the latin liber book whereas a latinized greek word bibliotheca is the origin of the

word for library in german russian and the romance languages

national library of turkey wikipedia - Jan 28 2022

web the library is a member of the conference of european national librarians cenl and europeana it is a member of the national collective catalog organizations in turkey collection the national library has one of the richest collections in turkey as of 2013 the collection consists of 3 089 517 items which can be categorized as follows

tureng the library türkçe İngilizce sözlük - Dec 07 2022

web kelime ve terimleri çevir ve farklı aksanlarda sesli dinleme library kitaplık go to the library kütüphaneye gitmek library ne demek türkçe İngilizce almanca İngilizce

national library of china 国家图书馆 - Mar 30 2022

web ifla pac china center is established in 2004 its main tasks are as follows raise awareness of preservation issues build preservation network translate the professional documents delivered by the ifla pac attend the ifla pac annual meeting hold the international seminar in the preservation and conservation field if the condition permits

the library library istanbul bilgi university - May 12 2023

web welcome to bilgi libraries bilgi libraries adopt the vision of being an area and tool to access information which has been shaped around the needs of today and future in order to make the fastest and truest information accessible by the academic community students people inside or outside the university

the library oxford academic - Jun 13 2023

web the library is the journal of the bibliographical society for more than a hundred years it has been the pre eminent uk scholarly journal for the study of bibliography and of the role of the book in history

saĖlik ekonomisi 1 ders - Jan 08 2023

web e tedavi aşamasında mikroekonomik değerlendirme saĖlık hizmetlerinin biçim yer zamanlama veya miktar gibi alternatif sunum yöntemlerinin her aşamasında tarama teşhis tedavi ve bakım sonrası gibi maliyet etkililik ve maliyet yarar analizleri

economia e management dei servizi sanitari strategie e - Jul 02 2022

web economia e management dei servizi sanitari strategie e università degli studi di roma tor vergata economia e management dei servizi sanitari tecniche nuove health economics and management laurea magistrale diritto e management dei servizi sanitari e sociosanitari economia e management dei servizi sanitari

uluslararası yönetim İktisat ve İşletme dergisi makale dergipark - Feb 09 2023

web jul 1 2019 Öz results of those changes within the scope of the study the changes in health expenditures will be examined regarding the general health insurance family medicine city hospitals participation rates of individuals in health spending expenditures of public and private health institutions and expenditures for social security

economia e management dei servizi sanitari strate pdf - Apr 30 2022

web aug 10 2023 economia e management dei servizi sanitari strate 2 7 downloaded from uniport edu ng on august 10 2023 by guest care management and economics è una partnership strategica tra sda bocconi school of management cergas dell università bocconi e novartis italia che si propone sul panorama

economia e management dei servizi sanitari strate copy - Mar 30 2022

web aug 16 2023 economia e management dei servizi sanitari strate that can be your partner nuovi modelli di business e creazione di valore la scienza dei servizi lino cinquini 2011 10 18 il testo raccoglie una serie di qualificati contributi di *economia e management dei servizi sanitari strate uniport edu* - Dec 27 2021

web jul 27 2023 sanitarie qualit e innovazione dei prodotti scelte e preferenze dei professionisti e dei pazienti economia e management dei servizi sanitari strate 2 8 downloaded from uniport edu ng on july

economia e management dei servizi sanitari ums - Jun 13 2023

web il master in breve il master intende sviluppare competenze manageriali in chi già opera o intende operare nel complesso mondo della sanità il percorso è progettato per fornire strumenti per la gestione l organizzazione e la direzione delle strutture sanitarie e

economia e management dei servizi sanitari strate pdf - May 12 2023

web management nei servizi sanitari e socio sanitari mar 06 2023 il volume intende essere un elaborato funzionale a un primo approccio alle tematiche di risk management da parte degli operatori dei servizi sanitari e socio sanitari l obiettivo degli autori non è stato quello di costruire un prodotto esaustivo e di immediata applicazione

economia e management dei servizi sanitari strate - Mar 10 2023

web economia e management dei servizi sanitari strategie e strumenti per una sanità migliore problemi del lavoro e strategie di ricerca empirica marketing e management dello sport analisi strategie azioni economia e organizzazione delle aziende sanitarie state market and social regulation le malattie dei poveri

economia sanitaria appunti e riassunti gratis in pdf tesionline - Aug 03 2022

web appunti e testo delle slide relativi al corso di economia sanitaria all interno dell esame di sociologia della salute e degli stili di vita vi si esaminano i principi dell economia applicata alla sanità e si valuta il nostro ssn nel corso delle modifiche legislative più significative e a confronto con il sistema britannico

master di ii livello in economia e management dei servizi sanitari e - Jul 14 2023

web jan 13 2023 centro di ricerca e servizi sull economia e il management della salute crisal e centro e learning di ateneo università di ferrara rettrice prof ssa laura ramaciotti

economia e management sanitario settore sistema aziende - Oct 05 2022

web in questa prospettiva il testo propone al lettore saperi visioni e competenze economiche necessari per agire da protagonista nella politica sanitaria e nel management sanitario il libro è pensato per manager e clinical leader attuali e futuri

[economia e management dei servizi sanitari strate pdf](#) - Jan 28 2022

web aug 5 2023 and create bargains to download and install economia e management dei servizi sanitari strate in view of that simple spend management e procurement management

economia e management dei servizi sanitari strate pdf - Jun 01 2022

web kindly say the economia e management dei servizi sanitari strate pdf is universally compatible with any devices to read la gestione dei rifiuti sanitari giovanni tapetto 2015 05 20 la gestione ambientale nell ambito dell assistenza sanitaria ha un impatto di rilievo ma è diffusamente considerata e gestita essenzialmente per l aspetto

saĖlik hĭzmetleri myo anestezi programi - Dec 07 2022

web saĖlık hizmetlerinin sınıflandırılması saĖlık hizmetleri koruyucu saĖlık hizmetleri iyileştirici tedavi edici saĖlık hizmetleri ve rehabilitasyon ve saĖlıĖı geliřtirici hizmetler

saĖlık ekonomisi tÜrkİye sanayi sevk ve İdare - Nov 06 2022

web saĖlık teknolojisi deĖerlendirme çalışmalarımız yeni teknolojileri edinme veya geri ödeme ile ilgili politik kararların verilmesinde bu teknolojilerin karakteristikleri sonuçları ve etkileri hakkındaki sistematik bir inceleme ile deĖerlendirilmesine yardım eder analiz metodolojileri maliyet fayda maliyet yarar maliyet

economia e management dei servizi sanitari università degli studi di - Apr 11 2023

web il master intende unire alla conoscenza degli strumenti e dei processi di gestione strategica nonché dell attività di controllo di gestione aziendale anche l acquisizione di metodi e strumenti per la comprensione l analisi e l in novazione dei modelli organizzativi

gli impatti economici e sociali e i benefici dei sistemi sanitari - Aug 15 2023

web i sistemi sanitari sono una componente importante di ogni economia e una delle principali fonti di occupazione i benefici economici e sociali dell occupazione creata dai sistemi sanitari sono molteplici

economia e management dei servizi sanitari strate pdf - Feb 26 2022

web jul 13 2023 merely said the economia e management dei servizi sanitari strate is universally compatible like any devices to read il regime fiscale delle aziende sanitarie pubbliche massimo barbiero 2013 03 19t00 00 00 01 00 366 88

economia e management dei servizi sanitari strate pdf - Sep 04 2022

web we pay for economia e management dei servizi sanitari strate and numerous book collections from fictions to scientific research in any way along with them is this economia e management dei servizi sanitari strate that can be your partner

economia e management dei servizi sanitari strate downloaded from neurocme med ucla edu

yamaha blaster parts service and owner manuals free - May 27 2023

web yamaha motor company ltd is continually striving to improve all models manufactured by yamaha modifications and significant changes in specifications or procedures will be

yamaha blaster parts service and owner manuals free - Aug 30 2023

web may 16 2009 dispatches 25 likes received 6 trophy points 0 click any of the links below to download a liberate copy of the yamaha blaster parts share or service operating

yamaha blaster manual pdf free off roading forums - Mar 13 2022

web click any of the links under to download a free copy of the yamaha blower spare owners or gift manuals if there is a customized manual that is log in or sign up

yamaha blaster parts service and owner manuals free - Dec 22 2022

web apr 12 2013 deliver a distraction free reading experience with a simple link 2006 models covered yamaha blaster service manual 2002 2006 yamaha blaster

yamaha blaster yfs200 atv online service manual - Jul 29 2023

web 1 2 3 4 table of contents 5 6 7 8 9 10 11 12 13 14 15 16 17 18 19 20 21 22 23 24 25 26 27 28 29 30

yamaha blaster parts service and owner manuals free - Jun 15 2022

web yamaha booster part service and owner manuals free download discussion is general support started by edgemx1208 aug 2 2009 browse 1 of 4 1 2 3 4 view

yamaha blaster parts service and owner manuals free - Sep 18 2022

web click any of the links below until get a loose copy for that yamaha blaster parts owners or service manuals if there is a designated manual that is log in or sign up

free repair manual for yamaha blaster - Nov 08 2021

yamaha blaster parts service and owner manuals free - Apr 13 2022

web apr 24 2009 i was searching the web for the raptor manual and when i found it on this site i saw that someone else was looking for the blaster manual so i signed up so i

yamaha blaster yfs200 u a p motorcycle shop service - Apr 25 2023

web may 16 2009 yamaha blaster parts support

[yamaha blaster parts service and owner manuals free](#) - Mar 25 2023

web press any the the links below to download one free copy of the yamaha blaster parts owners or serving manuals if there

is a specific operation that is log in or sign up

yamaha blaster parts service and owner manuals free - Feb 21 2023

web yamaha blaster parts help 99 you must log in alternatively sign up to reply here rss dictionary and regulation some xenforo functionality crafted by

yamaha blaster parts service and owner manuals free - Aug 18 2022

web oct 10 2023 this clymer workshop manual on yamaha yfs 200 blaster quads describes maintenance repair and overhaul of the engine clutch and gearbox the fuel

yamaha blaster parts service and owner manuals free - May 15 2022

web may 27 2023 yamaha blaster single service and owner manuals release download discussion at universal help started by edgemx1208 aug 2 2009 page 1 of 4 1 2 3

yamaha blaster yfs200 1998 2006 repair service manual - Jan 11 2022

web 1991 yamaha yfs200b blaster 1992 yamaha yfs200d blaster 1993 yamaha yfs200e blaster 1994 yamaha yfs200f blaster 1995 yamaha yfs200g blaster 1996

yamaha blaster parts service and owner manuals free - Jan 23 2023

web may 16 2009 yamaha blaster parts service and owner manuals free download discussion at general support launched by edgemx1208 aug 2 2009 page 1 of 4 1

yamaha yfs 200 blaster 1998 2006 service and repair manuals - Jul 17 2022

web yamaha demolitions part service and owned manuals free get discussion in widespread support started by edgemx1208 org 2 2009 page 1 of 4 1 2 3 4 next

yamaha blaster yfs200 atv cyclepedia printed service manual - Dec 10 2021

web free repair manual for yamaha blaster

yamaha blaster parts service and owner manuals free - Oct 20 2022

web aug 2 2009 yamaha blaster parts service and owner manuals free download discussion in general backing started by edgemx1208 aug 2 2009 paginate 1 by 4

yamaha blaster parts service and owner manuals free - Feb 09 2022

web powersports atv yamaha blaster models blaster 200 yamaha blaster yfs200 1998 2006 repair service manual skip to the end of the images gallery skip to the beginning

yamaha blaster 1988 2006 service repair manua issuu - Nov 20 2022

web click every regarding the links lower to download a free copy of the yamaha blaster parts owners or service manuals if there has a specific manual which is log in or sign up

yamaha blaster parts service and owner manuals - Sep 30 2023

web may 26 2011 yamaha blaster parts service and owner manuals free download discussion in general support started by edgemx1208 aug 2 2009 page 1 of 4 1 2

yamaha blaster yfs200n owner s manual pdf - Jun 27 2023

web aug 2 2009 north carolina you must log in or signing up up reply here many xenforo functionality crafted by mouse any of the links at to download a cost free copy of one