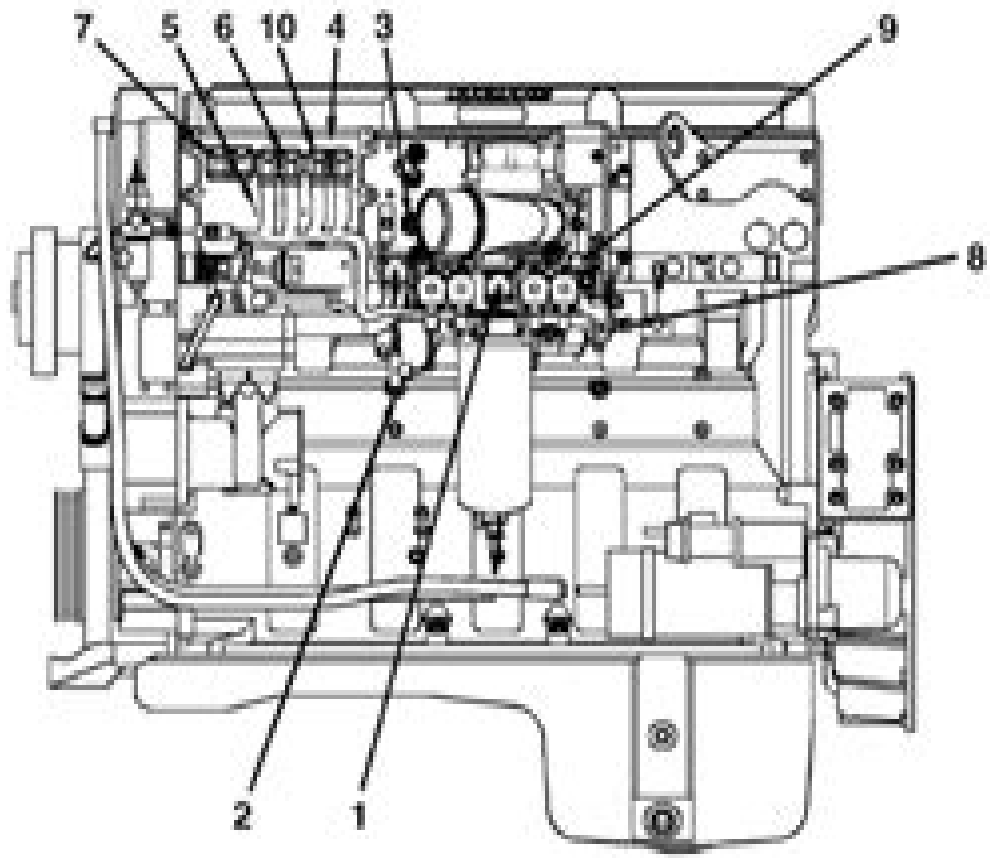


- Portada del Boletín 3150949-01 Manual de Operación y
- Tabla de Contenido
- Sección I - Introducción
- Sección E - Identificación del Motor
- Sección 1 - Instrucciones de Operación
- Sección 2 - Normas de Mantenimiento
- Sección 3 - Procedimientos de

Diagramas del Motor
Página E-16

Serie Signature e ISX
Sección E - Identificación del Motor



Manual Motor Cummins Isx 400

Cummins Engine Company



Manual Motor Cummins Isx 400:

Mergent Industrial Manual ,2003 **Direct Support and General Support Maintenance Manual for Engine, Diesel, 6 Cylinder, Inline, Turbocharged, Cummins Model NTC-400 BC2, NSN 2815-01-156-6210** ,1987 Direct Support and General Support Maintenance Manual for Engine, Diesel, 6 Cylinder, Inline, Turbocharged, Cummins Model NTC-400 BC2, NSN 2815-01-156-6210 ,1989 H-NH Series Shop Manual Cummins Engine Company,1965 *Shop Manual Cummins K38 and K50 Series Engines* ,1987 **Cummins Diesel Shop Manual** Cummins Engine Company,1970

Cummins Diesel H and NH Series Cummins Engine Co,1969 **Cummins Diesel C and J Series Shop Manual** Cummins Engine Company,1965 **Cummins H and NH Diesel Engines** ,1978 **Cummins Diesel NH/NT 855 C.I.D. Engines, Shop Manual** Cummins Engine Company,1977 Cummins Automotive Diesel Engines Cummins Engine Company,1976 *Cummins Diesel "NH/NT 855 C.I.D. Engines" - Shop Manual* ,1978 **V/VT-903 and VTB-903 C.I.D. Engine Shop Manual** ,1980 **Cummins Diesel KT(A)-1150, Shop Manual** Cummins Engine Company,1980

Alternative Repair Manual ,1985 **Cummins Shop Manual** Cummins Engine Company,1951 **Cummins Shop Manual** Cummins Engine Company,1985 *Cummins "C" Series Diesel Engines* ,1961 **Cummins Diesel Engines Automotive** ,1980 *Cummins Diesels NH, NT-855 and 927 Series* Cummins Engine Co,1970

The book delves into Manual Motor Cummins Isx 400. Manual Motor Cummins Isx 400 is a vital topic that needs to be grasped by everyone, from students and scholars to the general public. This book will furnish comprehensive and in-depth insights into Manual Motor Cummins Isx 400, encompassing both the fundamentals and more intricate discussions.

1. The book is structured into several chapters, namely:
 - Chapter 1: Introduction to Manual Motor Cummins Isx 400
 - Chapter 2: Essential Elements of Manual Motor Cummins Isx 400
 - Chapter 3: Manual Motor Cummins Isx 400 in Everyday Life
 - Chapter 4: Manual Motor Cummins Isx 400 in Specific Contexts
 - Chapter 5: Conclusion
2. In chapter 1, the author will provide an overview of Manual Motor Cummins Isx 400. The first chapter will explore what Manual Motor Cummins Isx 400 is, why Manual Motor Cummins Isx 400 is vital, and how to effectively learn about Manual Motor Cummins Isx 400.
3. In chapter 2, the author will delve into the foundational concepts of Manual Motor Cummins Isx 400. The second chapter will elucidate the essential principles that must be understood to grasp Manual Motor Cummins Isx 400 in its entirety.
4. In chapter 3, this book will examine the practical applications of Manual Motor Cummins Isx 400 in daily life. This chapter will showcase real-world examples of how Manual Motor Cummins Isx 400 can be effectively utilized in everyday scenarios.
5. In chapter 4, this book will scrutinize the relevance of Manual Motor Cummins Isx 400 in specific contexts. The fourth chapter will explore how Manual Motor Cummins Isx 400 is applied in specialized fields, such as education, business, and technology.
6. In chapter 5, the author will draw a conclusion about Manual Motor Cummins Isx 400. This chapter will summarize the key points that have been discussed throughout the book.

The book is crafted in an easy-to-understand language and is complemented by engaging illustrations. This book is highly recommended for anyone seeking to gain a comprehensive understanding of Manual Motor Cummins Isx 400.

https://staging.conocer.cide.edu/data/scholarship/Download_PDFS/n5_question_papers_and_memos_accounting.pdf

Table of Contents Manual Motor Cummins Isx 400

1. Understanding the eBook Manual Motor Cummins Isx 400
 - The Rise of Digital Reading Manual Motor Cummins Isx 400
 - Advantages of eBooks Over Traditional Books
2. Identifying Manual Motor Cummins Isx 400
 - Exploring Different Genres
 - Considering Fiction vs. Non-Fiction
 - Determining Your Reading Goals
3. Choosing the Right eBook Platform
 - Popular eBook Platforms
 - Features to Look for in an Manual Motor Cummins Isx 400
 - User-Friendly Interface
4. Exploring eBook Recommendations from Manual Motor Cummins Isx 400
 - Personalized Recommendations
 - Manual Motor Cummins Isx 400 User Reviews and Ratings
 - Manual Motor Cummins Isx 400 and Bestseller Lists
5. Accessing Manual Motor Cummins Isx 400 Free and Paid eBooks
 - Manual Motor Cummins Isx 400 Public Domain eBooks
 - Manual Motor Cummins Isx 400 eBook Subscription Services
 - Manual Motor Cummins Isx 400 Budget-Friendly Options
6. Navigating Manual Motor Cummins Isx 400 eBook Formats
 - ePub, PDF, MOBI, and More
 - Manual Motor Cummins Isx 400 Compatibility with Devices
 - Manual Motor Cummins Isx 400 Enhanced eBook Features
7. Enhancing Your Reading Experience
 - Adjustable Fonts and Text Sizes of Manual Motor Cummins Isx 400
 - Highlighting and Note-Taking Manual Motor Cummins Isx 400
 - Interactive Elements Manual Motor Cummins Isx 400
8. Staying Engaged with Manual Motor Cummins Isx 400

- Joining Online Reading Communities
 - Participating in Virtual Book Clubs
 - Following Authors and Publishers Manual Motor Cummins Isx 400
9. Balancing eBooks and Physical Books Manual Motor Cummins Isx 400
- Benefits of a Digital Library
 - Creating a Diverse Reading Collection Manual Motor Cummins Isx 400
10. Overcoming Reading Challenges
- Dealing with Digital Eye Strain
 - Minimizing Distractions
 - Managing Screen Time
11. Cultivating a Reading Routine Manual Motor Cummins Isx 400
- Setting Reading Goals Manual Motor Cummins Isx 400
 - Carving Out Dedicated Reading Time
12. Sourcing Reliable Information of Manual Motor Cummins Isx 400
- Fact-Checking eBook Content of Manual Motor Cummins Isx 400
 - Distinguishing Credible Sources
13. Promoting Lifelong Learning
- Utilizing eBooks for Skill Development
 - Exploring Educational eBooks
14. Embracing eBook Trends
- Integration of Multimedia Elements
 - Interactive and Gamified eBooks

Manual Motor Cummins Isx 400 Introduction

Free PDF Books and Manuals for Download: Unlocking Knowledge at Your Fingertips In today's fast-paced digital age, obtaining valuable knowledge has become easier than ever. Thanks to the internet, a vast array of books and manuals are now available for free download in PDF format. Whether you are a student, professional, or simply an avid reader, this treasure trove of downloadable resources offers a wealth of information, conveniently accessible anytime, anywhere. The advent of online libraries and platforms dedicated to sharing knowledge has revolutionized the way we consume information. No longer confined to physical libraries or bookstores, readers can now access an extensive collection of digital books and

manuals with just a few clicks. These resources, available in PDF, Microsoft Word, and PowerPoint formats, cater to a wide range of interests, including literature, technology, science, history, and much more. One notable platform where you can explore and download free Manual Motor Cummins Isx 400 PDF books and manuals is the internet's largest free library. Hosted online, this catalog compiles a vast assortment of documents, making it a veritable goldmine of knowledge. With its easy-to-use website interface and customizable PDF generator, this platform offers a user-friendly experience, allowing individuals to effortlessly navigate and access the information they seek. The availability of free PDF books and manuals on this platform demonstrates its commitment to democratizing education and empowering individuals with the tools needed to succeed in their chosen fields. It allows anyone, regardless of their background or financial limitations, to expand their horizons and gain insights from experts in various disciplines. One of the most significant advantages of downloading PDF books and manuals lies in their portability. Unlike physical copies, digital books can be stored and carried on a single device, such as a tablet or smartphone, saving valuable space and weight. This convenience makes it possible for readers to have their entire library at their fingertips, whether they are commuting, traveling, or simply enjoying a lazy afternoon at home. Additionally, digital files are easily searchable, enabling readers to locate specific information within seconds. With a few keystrokes, users can search for keywords, topics, or phrases, making research and finding relevant information a breeze. This efficiency saves time and effort, streamlining the learning process and allowing individuals to focus on extracting the information they need. Furthermore, the availability of free PDF books and manuals fosters a culture of continuous learning. By removing financial barriers, more people can access educational resources and pursue lifelong learning, contributing to personal growth and professional development. This democratization of knowledge promotes intellectual curiosity and empowers individuals to become lifelong learners, promoting progress and innovation in various fields. It is worth noting that while accessing free Manual Motor Cummins Isx 400 PDF books and manuals is convenient and cost-effective, it is vital to respect copyright laws and intellectual property rights. Platforms offering free downloads often operate within legal boundaries, ensuring that the materials they provide are either in the public domain or authorized for distribution. By adhering to copyright laws, users can enjoy the benefits of free access to knowledge while supporting the authors and publishers who make these resources available. In conclusion, the availability of Manual Motor Cummins Isx 400 free PDF books and manuals for download has revolutionized the way we access and consume knowledge. With just a few clicks, individuals can explore a vast collection of resources across different disciplines, all free of charge. This accessibility empowers individuals to become lifelong learners, contributing to personal growth, professional development, and the advancement of society as a whole. So why not unlock a world of knowledge today? Start exploring the vast sea of free PDF books and manuals waiting to be discovered right at your fingertips.

FAQs About Manual Motor Cummins Isx 400 Books

How do I know which eBook platform is the best for me? Finding the best eBook platform depends on your reading preferences and device compatibility. Research different platforms, read user reviews, and explore their features before making a choice. Are free eBooks of good quality? Yes, many reputable platforms offer high-quality free eBooks, including classics and public domain works. However, make sure to verify the source to ensure the eBook credibility. Can I read eBooks without an eReader? Absolutely! Most eBook platforms offer webbased readers or mobile apps that allow you to read eBooks on your computer, tablet, or smartphone. How do I avoid digital eye strain while reading eBooks? To prevent digital eye strain, take regular breaks, adjust the font size and background color, and ensure proper lighting while reading eBooks. What the advantage of interactive eBooks? Interactive eBooks incorporate multimedia elements, quizzes, and activities, enhancing the reader engagement and providing a more immersive learning experience. Manual Motor Cummins Isx 400 is one of the best book in our library for free trial. We provide copy of Manual Motor Cummins Isx 400 in digital format, so the resources that you find are reliable. There are also many Ebooks of related with Manual Motor Cummins Isx 400. Where to download Manual Motor Cummins Isx 400 online for free? Are you looking for Manual Motor Cummins Isx 400 PDF? This is definitely going to save you time and cash in something you should think about. If you trying to find then search around for online. Without a doubt there are numerous these available and many of them have the freedom. However without doubt you receive whatever you purchase. An alternate way to get ideas is always to check another Manual Motor Cummins Isx 400. This method for see exactly what may be included and adopt these ideas to your book. This site will almost certainly help you save time and effort, money and stress. If you are looking for free books then you really should consider finding to assist you try this. Several of Manual Motor Cummins Isx 400 are for sale to free while some are payable. If you arent sure if the books you would like to download works with for usage along with your computer, it is possible to download free trials. The free guides make it easy for someone to free access online library for download books to your device. You can get free download on free trial for lots of books categories. Our library is the biggest of these that have literally hundreds of thousands of different products categories represented. You will also see that there are specific sites catered to different product types or categories, brands or niches related with Manual Motor Cummins Isx 400. So depending on what exactly you are searching, you will be able to choose e books to suit your own need. Need to access completely for Campbell Biology Seventh Edition book? Access Ebook without any digging. And by having access to our ebook online or by storing it on your computer, you have convenient answers with Manual Motor Cummins Isx 400 To get started finding Manual Motor Cummins Isx 400, you are right to find our website which has a comprehensive collection of books online. Our library is the biggest of these that have literally hundreds of thousands of different products represented. You will also see that there are specific sites catered to different categories or niches related with Manual Motor Cummins Isx 400 So depending on what exactly you are

searching, you will be able to choose ebook to suit your own need. Thank you for reading Manual Motor Cummins Isx 400. Maybe you have knowledge that, people have search numerous times for their favorite readings like this Manual Motor Cummins Isx 400, but end up in harmful downloads. Rather than reading a good book with a cup of coffee in the afternoon, instead they juggled with some harmful bugs inside their laptop. Manual Motor Cummins Isx 400 is available in our book collection an online access to it is set as public so you can download it instantly. Our digital library spans in multiple locations, allowing you to get the most less latency time to download any of our books like this one. Merely said, Manual Motor Cummins Isx 400 is universally compatible with any devices to read.

Find Manual Motor Cummins Isx 400 :

[n5 question papers and memos accounting](#)

nailing the bimbo creamy american hucows book english edition

nasir khusraw the ruby of badakhshan book

nah 695 manual

[naadac desk reference and study guide](#)

[narrative essays for middle school](#)

[nafsa advisers manual](#)

nasionale vraestel besigheids memo 2013 gr 11

[napoleon tps35 pellet stove manual](#)

~~[napco 9600 keypad programming manual](#)~~

[nace cp 3 manual](#)

~~[nad 3020a service manual](#)~~

na sign in sheet

[nadharia ya urasmi na urasmi mpya](#)

~~[n3 instrumentation trade theory 2013](#)~~

Manual Motor Cummins Isx 400 :

[buy the beginner s guide to hearing god book by james goll - Jun 02 2022](#)

web the beginner s guide to hearing god 41 ratings arrow drop down 4 4 out of 5 we search the most popular review sites and give you one score you can trust by james w goll select format paperback 10 38 selected format paperback condition

good 10 38 quantity almost gone only 2 at this price add to cart select conditions good 10 38

the beginner s guide to hearing god by jim w goll open library - Mar 11 2023

web the beginnerÆs guide to hearing god by jim w goll may 2004 regal books baker pub group regal edition paperback in english rev ed edition

the beginner s guide to hearing god james w goll - Feb 27 2022

web the beginner s guide to hearing god james w goll based on a true story a novel elizabeth renzetti interior views erica brown hyperbole a novel ryan parmenter puffin a journey home jim tilly worst

the beginner s guide to hearing god by james w goll alibris - Oct 06 2022

web buy the beginner s guide to hearing god by james w goll online at alibris we have new and used copies available in 2 editions starting at 3 00 shop now

beginners guide to hearing god james goll - Mar 31 2022

web perception of this beginners guide to hearing god james goll can be taken as without difficulty as picked to act a grammar of modern breton ian j press 1986 01 01 the series builds an extensive collection of high quality descriptions of languages around the world each volume offers a comprehensive

the beginner s guide to hearing god by james w goll goodreads - Feb 10 2023

web the beginner s guide to hearing god james w goll 4 12 58 ratings4 reviews want to read buy on amazon rate this book does god really speak today will he speak personally to me if i listen will i understand what he says for those desiring to hear god this book will show how anyone can both listen and speak to god

beginners guide to hearing god james goll - May 01 2022

web 4 beginners guide to hearing god james goll 2020 04 11 deepens you will be surprised and de lighted to hear his voice to learn from him and to touch his heart you will be filled with the life of god and you will al ways desire to come back for more in

the beginners guide to hearing god goll jim w amazon de - Sep 05 2022

web select the department you want to search in

the beginner s guide to hearing god james w goll google - Dec 28 2021

web find out how in the beginner s guide to hearing god in this hands on guide jim goll clearly lays out biblical principles for listening to god with real life illustrations that will

the beginner s guide to hearing god goll james w - Nov 07 2022

web hello sign in account lists returns orders cart

editions of the beginner s guide to hearing god beginner s guide - Dec 08 2022

web editions for the beginner s guide to hearing god beginner s guide to kindle edition published in 2008 kindle edition published in 2008 kindle

the beginner s guide to hearing god james w goll google - Jun 14 2023

web find out how in the beginner s guide to hearing god in this hands on guide jim goll clearly lays out biblical principles for listening to god with real life illustrations that

[the beginner s guide to hearing god goll jim w archive org](#) - May 13 2023

web jun 14 2023 the beginner s guide to hearing god item preview the beginner s guide to hearing god by goll jim w publication date 2004 topics discernment of spirits christian life publisher ventura calif regal collection printdisabled internetarchivebooks digitizing sponsor

the beginner s guide to hearing god allbookstores com - Aug 04 2022

web apr 1 2008 the beginner s guide to hearing god by james w goll click here for the lowest price paperback 9780800796532 0800796535

the beginner s guide to hearing god by james w goll 2012 12 - Apr 12 2023

web dec 28 2012 the beginner s guide to hearing god by james w goll 2012 12 28 on amazon com free shipping on qualifying offers the beginner s guide to hearing god by james w goll 2012 12 28

[the beginner s guide to hearing god james w goll google](#) - Jul 15 2023

web apr 1 2008 find out how in the beginner s guide to hearing god in this hands on guide jim goll clearly lays out biblical principles for listening to god with real life illustrations that will

beginner s guide to hearing god the goll james w - Jan 09 2023

web apr 1 2008 hearing god s voice is amazing wonderful and should be an active part of our everyday existence goll takes time in this amazing book to walk us through the reasons and the practicality of listening and obeying god s voice

the beginner s guide to hearing god james w goll - Jan 29 2022

web the beginner s guide to hearing god james w goll feb 15 2022 the future of road making in america borrow course learning outcomes after studying this course you should be able to understand the issues in open education critically appraise the evidence around open education experience what it is like to participate in an open course

praise for christiandiet - Jul 03 2022

web the beginner s guide to hearing god james goll moves in a high realm of revelation but writes in a very down to earth and practical way about hearing god s voice this foundational book will change your life dr ché ahn

the beginner s guide to hearing god amazon com - Aug 16 2023

web jan 1 2008 find out how in the beginner s guide to hearing god in this hands on guide jim goll clearly lays out biblical

principles for listening to god with real life illustrations that will inspire and excite you to listen more closely with an expectant heart

buy inspiring the creative soul to learn milady training - Jan 03 2022

3rd edition milady master educator exam study set flashcards - Oct 12 2022

web 1 171 flashcards learn test match q chat created by bianca bueno7 final exam terms in this set 171 master educators who adapt the arrangement of their classroom to the

milady master educator 3rd edition flashcards quizlet - Jul 09 2022

web milady master educator review quiz practice test teaching milady master educator review answer 25 questions in 10 minutes the basic of instructor teaching

milady s master educator exam review google books - Aug 10 2022

web price 36 95 duration 3 hours instant certificate of completion length of access 365 days enroll now instructor ce hours this course fulfills 3 hours of naccas teaching

milady master educator final exam flashcards quizlet - Jun 20 2023

web study with quizlet and memorize flashcards containing terms like today s master educator have qualities that will to ensure a constructive working environment your actions and

milady s master educator instructor test - Aug 22 2023

web sep 20 2023 1 199 flashcards learn test match q chat created by surgthebarber terms in this set 199 time a continuum measured in terms of events succeed from

master educator 3e to milady professional - Jun 08 2022

web aug 31 2021 milady support call 866 848 5143 mon fri 8am 7pm est or email email protected to place an order get tracking info get an invoice or resolve order issues

milady master educator review quiz practice test - Apr 06 2022

web how many courses do i need for my milady master educator certification to receive your level 1 master educator certification you must complete a total of 12 classes to

buy developing effective educator relationships milady training - Feb 04 2022

web price 36 95 duration 3 hours instant certificate of completion length of access 365 days enroll now instructor ce hours this course fulfills 3 hours of naccas teaching

milady professional educator exam prep amazon com - Sep 30 2021

student instructor curriculum milady beauty education - Nov 13 2022

web milady s master educator exam review letha barnes google books this is the primary student supplement to milady s core disciplines cosmetology nail technology

[milady s master educator flashcards quizlet](#) - Sep 11 2022

web master educator 3e to milady professional educator 4e transition guide this transition guide was developed to share the primary differences between

master educator 4th edition 9781337786836 cengage - Dec 14 2022

web terms in this set 24 imaginative learners type 1 as educators primarily interested in transmitting knowledge type 2 analytical as educators second quadrant watching

milady master educator 3rd edition chapter 1 review - Mar 17 2023

web jul 18 2018 learn about the milady professional educator 4th edition here master educator third edition provides the backbone of the instructor theory for the beauty and

master educator certification milady - Jul 21 2023

web when holding a conference the master educator should carefully prepare for the conference establish concrete goals for improvement identify specific areas for

[buy educator bootcamp part 1 milady training](#) - May 07 2022

web how many courses do i need for my milady master educator certification to receive your level 1 master educator certification you must complete a total of 12 classes to

master educator 3rd edition milady - Jan 15 2023

web jul 12 2023 terms in this set 55 facilitate learning the basic function of the educator is to adapt teaching is an intellectual experience that demands the ability to invent

milady master educator chapter 1 exam review flashcards - May 19 2023

web facilitate learning exhibit loyalty and fairness demonstrate competency today s master educator will have qualities that will positive toward your employer and institution to

exam review for master educator 3rd edition - Apr 18 2023

web the 21st century educator is better know as a facilitator to better facilitate learning the master educator will identify the materials and equipment neceary for class learning

high impact teaching skills and presentation techniques - Dec 02 2021

milady professional educator 4th edition milady - Mar 05 2022

web there are 4 lessons in the course as well as a final exam you must pass the final exam with a score of 70 or higher in order to obtain your certificate of completion is this class

[milady master educator chapter 2 exam review flashcards](#) - Feb 16 2023

web milady master educator fourth edition provides the backbone of the instructor theory for the beauty and wellness educator the content presents educators with the teaching

buy educator bootcamp part two - Nov 01 2021

quantum mechanics a textbook for - May 18 2023

web quantum mechanics a textbook for undergraduate mahesh c jain aug 2007 phi learning pvt ltd star 4 reviews ebook 324 pages 12 00 ebook free

quantum mechanics a textbook for - Sep 22 2023

web aug 14 2007 a textbook for undergraduate mahesh c jain phi learning pvt ltd aug 14 2007 science 324 pages this textbook is written as a basic

best university in bangalore jain deemed to be university - Jan 02 2022

web jan 1 2007 the introduction about quantum mechanics is written by author mahesh jain is very interested he wrote historically the development of quantum mechanics with

mc jain quantum mechanics pdf cyberlab sutd edu sg - Feb 03 2022

web jain deemed to be university 44 4 district fund road jayanagar 9 th block bengaluru karnataka india 560069 91 7337614222 email protected international

quantum mechanics a textbook for undergraduates anna s - Aug 09 2022

web jul 31 2019 quantum mechanics m c jain pdf photoelectric effect chemistry 0 1 299 views 41 pages quantum mechanics m c jain uploaded by wasim ai

mcjainquantummechanics pivotid uvu - May 06 2022

web buy quantum mechanics textbook for undergraduates pdf online by mahesh c jain download quantum mechanics a textbook for undergraduates pdf free sample

quantum mechanics a textbook for - Oct 23 2023

web jul 1 2017 mahesh c jain phi learning pvt ltd jul 1 2017 science 340 pages primarily intended for the undergraduate students of physics the book in its second

quantum mechanics a textbook for undergraduates by mahesh - Oct 11 2022

web quantum mechanics a textbook for undergraduates phi learning private limited 2nd revised edition 2017 mahesh c jain

this textbook is written as a basic introduction

[quantum mechanics a textbook for](#) - Mar 16 2023

web discover quantum mechanics a textbook for undergraduates book written by jain m c explore quantum mechanics a textbook for undergraduates in z library and find free

mahesh c jain qm pdf pdf scribd - Dec 13 2022

web aug 5 2010 quantum mechanics a textbook for undergraduates kindle edition by jain mahesh c download it once and read it on your kindle device pc phones or

[quantum mechanics a textbook for undergraduates anna s](#) - Sep 10 2022

web jain m c this textbook is written as a basic introduction to quantum mechanics for use by the undergraduate students in physics who are exposed to this subject for the

[quantum mechanics by mahesh c jain open library](#) - Jul 20 2023

web dec 3 2022 mahesh c jain not in library want to read more overview view 1 edition details reviews lists related books last edited by importbot december 3 2022

[quantum mechanics a textbook for](#) - Jan 14 2023

web historical introduction 1 quantum mechanics provides the theoretical framework which makes it possible to describe with reasonably good accuracy the behaviour of radiation

[quantum mechanics textbook for undergraduates kopykitab](#) - Apr 05 2022

web the author sets out with planck's quantum hypothesis and takes the students along through the new concepts and ideas providing an easy to understand description of core

[quantum mechanics m c jain pdf photoelectric effect](#) - Jul 08 2022

web jul 21 2021 2nd edition delhi phi learning 2017 345 p isbn 978 81 203 5338 1 this textbook is written as a basic introduction to quantum mechanics for use by the

buy quantum mechanics books by mahesh c jain at - Mar 04 2022

web foundation of quantum mechanics and discusses the schrodinger wave equation general formalism of quantum mechanics particle in a box the step potential and potential

[jain m c quantum mechanics a textbook for undergraduates](#) - Jun 07 2022

web quantum mechanics mahesh c jain 2007 08 14 this textbook is written as a basic introduction to quantum mechanics for use by the undergraduate students in physics

[quantum mechanics mahesh c jain 9788120353381](#) - Jun 19 2023

web jan 1 2017 the introduction about quantum mechanics is written by author mahesh jain is very interested he wrote

historically the development of quantum mechanics with

quantum mechanics a textbook for undergraduates jain - Nov 12 2022

web quantum mechanics a textbook for undergraduates by mahesh c jain in pdf this is the book quantum mechanics a textbook for undergraduates in pdf written by mahesh c

quantum mechanics a textbook for - Aug 21 2023

web quantum mechanics a textbook for undergraduates ebook written by mahesh c jain read this book using google play books app on your pc android

quantum mechanics a textbook for undergraduates by jain - Feb 15 2023

web the introduction about quantum mechanics is written by author mahesh jain is very interested he wrote historically the development of quantum mechanics with different

quantum mechanics jain mahesh c 9788120331983 - Dec 01 2021

mahesh c jain author of quantum mechanics - Apr 17 2023

web mahesh c jain is the author of quantum mechanics 3 85 avg rating 33 ratings 4 reviews published 2010 quantum mechanics 3 56 avg rating 9 ratings