



Dishwashers

Safety Instructions 2-3

Operating Instructions

Care and Cleaning 11

Getting Started 4-5

Loading and Place Settings 8-9

Loading the silverware baskets 10

Using the Dishwasher 6-7

Troubleshooting Tips 12-14

Consumer Support

Consumer Support 16

Warranty 15

Owner's Manual

Dishwashers
ADT520 Series
GDF510-540 Series
GDT530-550 Series

Lave-vaisselle

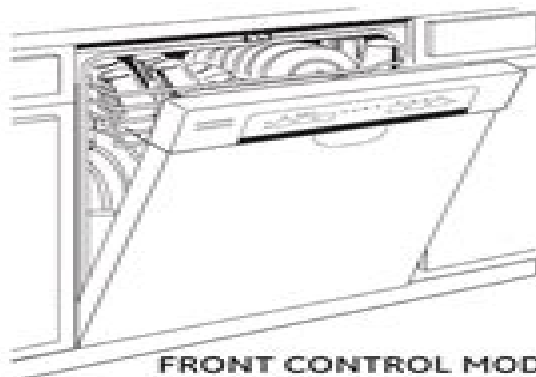
Manuel d'utilisation

La section française commence à la page 17

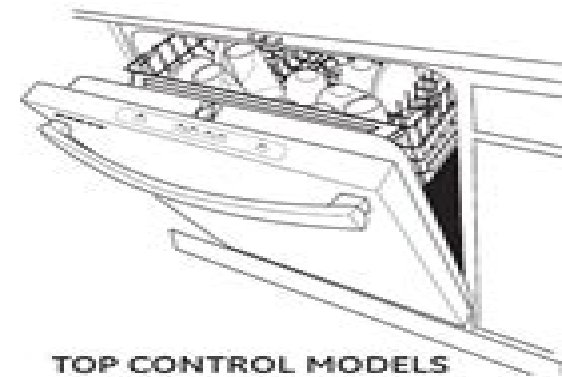
Lavaplatos

Manual del propietario

La sección en español empieza en la página 33



FRONT CONTROL MODELS



TOP CONTROL MODELS

Write the model and serial numbers here:

Model # _____

Serial # _____

You can find them on the tub wall just inside the door.

General Electric Wjsr2080t6ww Manual

Lingsheng Yao



General Electric Wjsr2080t6ww Manual:

When people should go to the ebook stores, search foundation by shop, shelf by shelf, it is essentially problematic. This is why we give the book compilations in this website. It will entirely ease you to look guide **General Electric Wjsr2080t6ww Manual** as you such as.

By searching the title, publisher, or authors of guide you essentially want, you can discover them rapidly. In the house, workplace, or perhaps in your method can be all best area within net connections. If you wish to download and install the General Electric Wjsr2080t6ww Manual, it is very simple then, in the past currently we extend the member to buy and create bargains to download and install General Electric Wjsr2080t6ww Manual consequently simple!

<https://staging.conocer.cide.edu/About/scholarship/HomePages/king%20suckerman%20a%20novel%20english%20edition.pdf>

Table of Contents General Electric Wjsr2080t6ww Manual

1. Understanding the eBook General Electric Wjsr2080t6ww Manual
 - The Rise of Digital Reading General Electric Wjsr2080t6ww Manual
 - Advantages of eBooks Over Traditional Books
2. Identifying General Electric Wjsr2080t6ww Manual
 - Exploring Different Genres
 - Considering Fiction vs. Non-Fiction
 - Determining Your Reading Goals
3. Choosing the Right eBook Platform
 - Popular eBook Platforms
 - Features to Look for in an General Electric Wjsr2080t6ww Manual
 - User-Friendly Interface
4. Exploring eBook Recommendations from General Electric Wjsr2080t6ww Manual
 - Personalized Recommendations
 - General Electric Wjsr2080t6ww Manual User Reviews and Ratings
 - General Electric Wjsr2080t6ww Manual and Bestseller Lists

5. Accessing General Electric Wjsr2080t6ww Manual Free and Paid eBooks
 - General Electric Wjsr2080t6ww Manual Public Domain eBooks
 - General Electric Wjsr2080t6ww Manual eBook Subscription Services
 - General Electric Wjsr2080t6ww Manual Budget-Friendly Options
6. Navigating General Electric Wjsr2080t6ww Manual eBook Formats
 - ePub, PDF, MOBI, and More
 - General Electric Wjsr2080t6ww Manual Compatibility with Devices
 - General Electric Wjsr2080t6ww Manual Enhanced eBook Features
7. Enhancing Your Reading Experience
 - Adjustable Fonts and Text Sizes of General Electric Wjsr2080t6ww Manual
 - Highlighting and Note-Taking General Electric Wjsr2080t6ww Manual
 - Interactive Elements General Electric Wjsr2080t6ww Manual
8. Staying Engaged with General Electric Wjsr2080t6ww Manual
 - Joining Online Reading Communities
 - Participating in Virtual Book Clubs
 - Following Authors and Publishers General Electric Wjsr2080t6ww Manual
9. Balancing eBooks and Physical Books General Electric Wjsr2080t6ww Manual
 - Benefits of a Digital Library
 - Creating a Diverse Reading Collection General Electric Wjsr2080t6ww Manual
10. Overcoming Reading Challenges
 - Dealing with Digital Eye Strain
 - Minimizing Distractions
 - Managing Screen Time
11. Cultivating a Reading Routine General Electric Wjsr2080t6ww Manual
 - Setting Reading Goals General Electric Wjsr2080t6ww Manual
 - Carving Out Dedicated Reading Time
12. Sourcing Reliable Information of General Electric Wjsr2080t6ww Manual
 - Fact-Checking eBook Content of General Electric Wjsr2080t6ww Manual
 - Distinguishing Credible Sources
13. Promoting Lifelong Learning

- Utilizing eBooks for Skill Development
 - Exploring Educational eBooks
14. Embracing eBook Trends
- Integration of Multimedia Elements
 - Interactive and Gamified eBooks

General Electric Wjsr2080t6ww Manual Introduction

In today's digital age, the availability of General Electric Wjsr2080t6ww Manual books and manuals for download has revolutionized the way we access information. Gone are the days of physically flipping through pages and carrying heavy textbooks or manuals. With just a few clicks, we can now access a wealth of knowledge from the comfort of our own homes or on the go. This article will explore the advantages of General Electric Wjsr2080t6ww Manual books and manuals for download, along with some popular platforms that offer these resources. One of the significant advantages of General Electric Wjsr2080t6ww Manual books and manuals for download is the cost-saving aspect. Traditional books and manuals can be costly, especially if you need to purchase several of them for educational or professional purposes. By accessing General Electric Wjsr2080t6ww Manual versions, you eliminate the need to spend money on physical copies. This not only saves you money but also reduces the environmental impact associated with book production and transportation. Furthermore, General Electric Wjsr2080t6ww Manual books and manuals for download are incredibly convenient. With just a computer or smartphone and an internet connection, you can access a vast library of resources on any subject imaginable. Whether you're a student looking for textbooks, a professional seeking industry-specific manuals, or someone interested in self-improvement, these digital resources provide an efficient and accessible means of acquiring knowledge. Moreover, PDF books and manuals offer a range of benefits compared to other digital formats. PDF files are designed to retain their formatting regardless of the device used to open them. This ensures that the content appears exactly as intended by the author, with no loss of formatting or missing graphics. Additionally, PDF files can be easily annotated, bookmarked, and searched for specific terms, making them highly practical for studying or referencing. When it comes to accessing General Electric Wjsr2080t6ww Manual books and manuals, several platforms offer an extensive collection of resources. One such platform is Project Gutenberg, a nonprofit organization that provides over 60,000 free eBooks. These books are primarily in the public domain, meaning they can be freely distributed and downloaded. Project Gutenberg offers a wide range of classic literature, making it an excellent resource for literature enthusiasts. Another popular platform for General Electric Wjsr2080t6ww Manual books and manuals is Open Library. Open Library is an initiative of the Internet Archive, a non-profit organization dedicated to digitizing cultural artifacts and making them accessible to the public. Open Library hosts millions

of books, including both public domain works and contemporary titles. It also allows users to borrow digital copies of certain books for a limited period, similar to a library lending system. Additionally, many universities and educational institutions have their own digital libraries that provide free access to PDF books and manuals. These libraries often offer academic texts, research papers, and technical manuals, making them invaluable resources for students and researchers. Some notable examples include MIT OpenCourseWare, which offers free access to course materials from the Massachusetts Institute of Technology, and the Digital Public Library of America, which provides a vast collection of digitized books and historical documents. In conclusion, General Electric Wjsr2080t6ww Manual books and manuals for download have transformed the way we access information. They provide a cost-effective and convenient means of acquiring knowledge, offering the ability to access a vast library of resources at our fingertips. With platforms like Project Gutenberg, Open Library, and various digital libraries offered by educational institutions, we have access to an ever-expanding collection of books and manuals. Whether for educational, professional, or personal purposes, these digital resources serve as valuable tools for continuous learning and self-improvement. So why not take advantage of the vast world of General Electric Wjsr2080t6ww Manual books and manuals for download and embark on your journey of knowledge?

FAQs About General Electric Wjsr2080t6ww Manual Books

What is a General Electric Wjsr2080t6ww Manual PDF? A PDF (Portable Document Format) is a file format developed by Adobe that preserves the layout and formatting of a document, regardless of the software, hardware, or operating system used to view or print it. **How do I create a General Electric Wjsr2080t6ww Manual PDF?** There are several ways to create a PDF: Use software like Adobe Acrobat, Microsoft Word, or Google Docs, which often have built-in PDF creation tools. Print to PDF: Many applications and operating systems have a "Print to PDF" option that allows you to save a document as a PDF file instead of printing it on paper. Online converters: There are various online tools that can convert different file types to PDF. **How do I edit a General Electric Wjsr2080t6ww Manual PDF?** Editing a PDF can be done with software like Adobe Acrobat, which allows direct editing of text, images, and other elements within the PDF. Some free tools, like PDFescape or Smallpdf, also offer basic editing capabilities. **How do I convert a General Electric Wjsr2080t6ww Manual PDF to another file format?** There are multiple ways to convert a PDF to another format: Use online converters like Smallpdf, Zamzar, or Adobe Acrobats export feature to convert PDFs to formats like Word, Excel, JPEG, etc. Software like Adobe Acrobat, Microsoft Word, or other PDF editors may have options to export or save PDFs in different formats. **How do I password-protect a General Electric Wjsr2080t6ww Manual PDF?** Most PDF editing software allows you to add password protection. In Adobe Acrobat, for instance, you can go to "File" -> "Properties" -> "Security" to set a password to

restrict access or editing capabilities. Are there any free alternatives to Adobe Acrobat for working with PDFs? Yes, there are many free alternatives for working with PDFs, such as: LibreOffice: Offers PDF editing features. PDFsam: Allows splitting, merging, and editing PDFs. Foxit Reader: Provides basic PDF viewing and editing capabilities. How do I compress a PDF file? You can use online tools like Smallpdf, ILovePDF, or desktop software like Adobe Acrobat to compress PDF files without significant quality loss. Compression reduces the file size, making it easier to share and download. Can I fill out forms in a PDF file? Yes, most PDF viewers/editors like Adobe Acrobat, Preview (on Mac), or various online tools allow you to fill out forms in PDF files by selecting text fields and entering information. Are there any restrictions when working with PDFs? Some PDFs might have restrictions set by their creator, such as password protection, editing restrictions, or print restrictions. Breaking these restrictions might require specific software or tools, which may or may not be legal depending on the circumstances and local laws.

Find General Electric Wjsr2080t6ww Manual :

[king suckerman a novel english edition](#)

kindergarten curriculum guide tn

killing from inside

kirja-karkkainen-tampere

kioti ck35 owners manual

kings chemistry survival guide netload

[king cake recipe using cinnamon rolls](#)

kid friendly rubrics first grade

king james bible pure cambridge edition

kinetico sulfur guard manual

kia2015 engine repair manual

kindergarten open house

kicker-cvr124 manual

kindergarten common core pacing guide quarters

kindle user 39 s guide 3rd edition

General Electric Wjsr2080t6ww Manual :

contact İstanbul gedik university - Jul 24 2022

web contact academic institutes institute of graduate studies faculties faculty of law faculty of economics administrative and social sciences faculty of architecture and design faculty of engineering faculty of health sciences faculty of sport sciences college vocational school the school of foreign languages justice vocational

general course morgan zintec college - Jan 30 2023

web the college then came up with an intervention in the form of a diploma programme in supervision and ict the programme runs for four school terms and at the end students sit for exams which lead to the award of the diploma banking details

account name morgan zintec college bank zb bank account number 4126408984200 banch cripps

morgan zintec college courses details and contact information - Sep 06 2023

web morgan zintec college details address 1 alamein rd po box 1700 arcadia harare zwe 26304 location harare zimbabwe telephone number 263 4 771 190

morgan zintec teachers college student portal login - Sep 25 2022

web apr 24 2022 how to login to morgan zintec teachers college student portal how to recover your forgotten morgan zintec teachers college student login details morgan zintec teachers college contact details

morgan zintec teachers college contacts details - Aug 05 2023

web may 18 2019 morgan offers a rich diverse community where students challenge themselves discover their passions and become global citizens of the world at morgan zintec college every student is remarkable contact info 1 alamein rd po box 1700 arcadia harare zwe 26304 sponsored links 263 4 771 190 263 4 771 192

contact us international degree students İstanbul okan - May 22 2022

web contact us aysun İlleez international students manager e t 0 216 677 16 30 2190 sema sürer international students supervisor e t 0 216 677 16 30 3281 bassam almouradi international students senior specialist e

morgan zintec college harare facebook - Oct 27 2022

web morgan zintec college harare zimbabwe 3 157 likes 20 talking about this educational

morgan zintec college profile and history datanyze - Nov 27 2022

web find contact information for morgan zintec college learn about their colleges universities education market share competitors and morgan zintec college s email format company overview

contact us morgan zintec college - Oct 07 2023

web contact us morgan zintec college home about us our programmes departments library portals contact us

morgan zintec teachers college pindula - May 02 2023

web tel 263 4 771190 92 email info morganzintec ac zw morgan zintec teachers college is one of zimbabwe s first teacher training institutions that produces primary school level teachers in the form of a university of zimbabwe issued diploma see list of teachers colleges in zimbabwe

background morgan zintec college - Apr 01 2023

web background morgan zintec college was established in 1981 initially it was sharing premises with david livingstone primary school it was later moved to the current location where the college took over the boarding facilities of morgan high school

morgan zintec teachers college intake 2023 2024 zwefinder - Jun 22 2022

web full details below after the completion of the last admissions applications are invited from suitably qualified applicants for admissions into various undergraduate postgraduate diploma certificate short courses distance learning and others programmes in any of morgan zintec teachers college intakes in the 2023 2024 academic year

morgan zintec online learning - Aug 25 2022

web enhancing the quality of the student experience is a primary goal of mzc that will help raise our profile as a college of high quality and standards there are several facets to achieving this status attracting the highest quality students attracting a preponderance of research active academic staff capable of delivering zimbabwe with affective teachers developing

morgan zintec college contact details ai classmonitor com - Mar 20 2022

web morgan zintec college contact details downloaded from ai classmonitor com by guest kennedy kane moto cambridge scholars publishing this textbook gives you a broad overview of everything you will need to know to prepare for your initial teacher training and future career in the classroom covering practical issues including

morgan zintec teachers college contacts details zwefinder - Jun 03 2023

web contact info 1 alamein rd po box 1700 arcadia harare zwe 26304 sponsored links 263 4 771 190 263 4 771 192 info morganzintec ac zw sponsored links kindly share with us your comments and suggestions by filling the comment box below we shall respond to you asap previous post next post

ecd morgan zintec college - Dec 29 2022

web contact us ecd the observation made was that ecd centres had sprouted in the community and that these centres were manned by staff who had no background knowledge in handling ecd issues

ozgur genc İstanbul türkiye west london college istanbul - Feb 16 2022

web i m a technology professional living in İstanbul türkiye i am a fan of photography technology and football i m also interested in skiing and travel you can contact me with a click on the button above education west london college istanbul university

morgan zintec college linkedin - Feb 28 2023

web morgan zintec college education administration programs harare harare 30 followers a diverse inclusive academic community of more than 2 000 students faculty and staff

morgan zintec teachers college contact details address - Jul 04 2023

web mar 23 2022 we have provided the contact details which include the morgan zintec teachers college contact address phone number email and more below is the official contact information of the morgan zintec teachers college as extracted from the institution s website

contact us İstanbul medipol university international students office - Apr 20 2022

web contact us 444 85 44 e mail mio medipol edu tr medipol university agent apply now vr 360 track your application

amazon com the treatment program 9781442445840 young suzanne books - Feb 09 2023

web mar 24 2015 overall the treatment the program 2 by suzanne young starts off being slow but picks up during the last third of the book the characters are still written very well and the world building is fantastic i d recommend this book to those aged 16 who enjoyed the program and want to know more about sloane and james

the treatment the program 2 by suzanne young goodreads - Sep 04 2022

web the treatment book read 2 027 reviews from the world s largest community for readers this is an alternate cover edition for asin b005c7cw48 can sloa

the treatment program book 2 english edition versión kindle - Dec 07 2022

web the treatment program book 2 english edition ebook young suzanne amazon es tienda kindle

the treatment program book 2 kindle edition amazon com - May 12 2023

web apr 29 2014 the treatment program book 2 kindle edition by suzanne young author format kindle edition 674 ratings book 2 of 6 program see all formats and editions kindle 11 99 read with our free app audiobook 0 00 free with

pdf download the treatment program book 2 pdf mobi - Apr 11 2023

web self publishing login to yumpu news login to yumpu publishing

the treatment 2 program reading length - Feb 26 2022

web find out how long it will take you to read the treatment 2 program by using our book word count search search for a book tell us how fast you read and start reading reading length

the treatment the program 2 by suzanne young goodreads - Jun 13 2023

web suzanne young 4 00 23 737 ratings2 089 reviews this is an alternate cover edition for asin b005c7cw48 can sloane and james survive the lies and secrets surrounding them or will the program claim them in the end find out in this sequel to the program which publishers weekly called chilling and suspenseful how do you stop an epidemic

gratis the treatment program book 2 english edition de - Mar 30 2022

web may 5 2020 descargar pdf the treatment program book 2 english edition de suzanne young pdf epub mobi gratis lee ahora download can sloane and james survive the lies and secrets surrounding them or will the program claim them in the end

the treatment the program 2 free books to read online - Aug 15 2023

web read the treatment the program 2 online free the treatment the program 2 is a science fiction novel by suzanne young it is a the program series novel enjoy reading on studynovels com

mastering your adult adhd a cognitive behavioral treatment program - Jan 28 2022

web safren steven a and others mastering your adult adhd a cognitive behavioral treatment program therapist guide 2 edn treatments that work new york 2017 online edn oxford academic 1 june 2017 doi org 10 1093 med psych 9780190235581 001 0001 accessed 6 sept 2023

the program series by suzanne young goodreads - Nov 06 2022

web by suzanne young 4 05 54 895 ratings 6 456 reviews published 2013 32 editions in sloane s world true feelings are forbidden te want to read rate it book 2 the treatment by suzanne young 4 00 23 795 ratings 2 095 reviews published 2014 24 editions this is an alternate cover edition for asin b005c want to read rate it

the treatment the program book 2 common sense media - Jul 02 2022

web apr 29 2014 the treatment follows sloane and her boyfriend james as they flee the government s massive effort to stop a teen suicide epidemic by wiping out the memories of anyone deemed at risk

the treatment program 2 by suzanne young - Mar 10 2023

web apr 29 2014 sloane and james are on the run after barely surviving the suicide epidemic and the program but they re not out of danger huge pieces of their memories are still missing and although sloane and james have found their way back to each other the program isn t ready to let them go

tureng the treatment türkçe İngilizce sözlük - Dec 27 2021

web give up the treatment f give up the treatment f work in the field of treatment f discontinue the treatment f the treatment is worse than the disease expr a treatment worse than the disease i a treatment worse than the disease i a treatment worse than the disease i give someone the red carpet treatment f

the treatment volume 2 program young suzanne amazon in books - Oct 05 2022

web the treatment volume 2 program young suzanne amazon in books skip to main content in hello select your address books select the department you want to search in search amazon in en hello sign in account lists

the treatment 2 program amazon com - Jul 14 2023

web apr 29 2014 amazon com the treatment 2 program 9781442445833 young suzanne books books teen young adult literature fiction buy new 16 55 list price 19 99 details save 3 44 17 get fast free shipping with amazon prime free returns free delivery january 21 24 if you spend 25 on items shipped by

read pdf the program complete collection the program the treatment - Jun 01 2022

web self publishing login to yumpu news login to yumpu publishing

the treatment program book 2 english edition edición kindle - Aug 03 2022

web the treatment program book 2 english edition ebook young suzanne amazon com mx tienda kindle

the treatment program series 2 paperback barnes noble - Jan 08 2023

web mar 24 2015 the treatment program series 2 by suzanne young write a review paperback reprint 12 99 hardcover 19 99 paperback 12 99 ebook 11 99 view all available formats editions ship this item qualifies for free shipping choose expedited shipping at checkout for delivery by thursday august 31 instant purchase

the program the treatment the program the treatment - Apr 30 2022

web may 17 2016 suzanne young the program the treatment the program the treatment paperback may 17 2016 by suzanne young author 4 6 7 ratings see all formats and editions paperback 100 00 2 used from 11 99

a people that shall dwell alone judaism as a group - Feb 26 2022

web a people that shall dwell alone judaism as a group evolutionary strategy with diaspora peoples by kevin macdonald 2002 06 06 amazon com books

a people that shall dwell alone judaism as a group - May 12 2023

web 10 rows a basic idea is that judaism is a group evolutionary strategy what one might term an evolutionarily significant way for a group of people to get on in the world the book

408 journal for the scientific study of religion - Oct 05 2022

web a people that shall dwell alone judaism as a group outwitting the devil a code of jewish ethics volume 1 who shall ascend the mountain of the lord the star and the

judaism as a group evolutionary strategy pmc national - Aug 15 2023

web mar 10 2018 in a people that shall dwell alone judaism as a group evolutionary strategy he proposed that since its inception judaism has promoted eugenic practices

a people that shall dwell alone judaism as a group - Jul 02 2022

web judaism as an ecological strategy selection for phenotypic traits related to intelligence high investment parenting and social cohesion ch 8 the origins of judaism as a

the culture of critique series wikipedia - Jul 14 2023

the culture of critique series is a trilogy of books by kevin b macdonald an antisemitic conspiracy theorist white supremacist and retired professor of evolutionary psychology macdonald claims that evolutionary psychology provides the motivations behind jewish group behavior and culture through the series macdonald asserts that jews as a group have biologically evolved to

a people that shall dwell alone judaism as a - Aug 03 2022

web buy a people that shall dwell alone judaism as a group evolutionary strategy by macdonald kevin isbn 9780275948696 from amazon s book store everyday low

a people that shall dwell alone judaism as a - Nov 06 2022

web a people that shall dwell alone judaism as a group evolutionary strategy kevin macdonald praeger 1994 psychology 302 pages 1 review reviews aren t verified

a people that shall dwell alone judaism as a group - Mar 30 2022

web a maior biblioteca de código aberto e dados abertos do mundo inclui sci hub library genesis z library e muito mais 21 639 596 livros 97 847 477

a people that shall dwell alone judaism as a group - Dec 07 2022

web jan 1 2001 discover a people that shall dwell alone judaism as a group evolutionary strategy with diaspora peoples by kevin b macdonald and millions of

a people that shall dwell alone judaism as a group - Apr 30 2022

web oct 13 2023 in a 2019 2020 pew research center survey 82 of jewish adults in the united states said caring about israel is an essential or important part of what being

a people that shall dwell alone judaism as a - Jan 28 2022

most jewish americans have personal connections to israel - Dec 27 2021

a people that shall dwell alone judaism as a group - Oct 25 2021

a people that shall dwell alone judaism as a group - Sep 04 2022

web library a people that shall dwell alone judaism as a group people that shall dwell alone macdonald kevin b a people that shall dwell alone judaism as a group pub 55

a people that shall dwell alone judaism as a - Jan 08 2023

web a people that shall dwell alone judaism as a group evolutionary strategy by kevin macdonald westport ct praeger 1994

302 pp 57 95 cloth

[a people that shall dwell alone judaism as a group evo](#) - Mar 10 2023

web people that shall dwell alone judaism as a group evolutionary strategy kevin macdonald westport ct praeger 1994 320 pp us 57 95 cloth isbn 0 275 94869 2

[a people that shall dwell alone judaism as a](#) - Jun 13 2023

web may 17 2016 a people that shall dwell alone judaism as a group evolutionary strategy kevin macdonald westport ct praeger 1994 320 pp us 57 95 cloth isbn

[a people that shall dwell alone judaism as a group](#) - Apr 11 2023

web jan 1 1994 77 ratings11 reviews this book attempts to understand an ancient people in terms of modern evolutionary biology a basic idea is that judaism is a group

a people that shall dwell alone judaism as a group ce - Jun 01 2022

web a people that shall dwell alone judaism as a group evolutionary strategy by kevin macdonald creator masters roger d bibliographic citation

a people that shall dwell alone iuniverse - Sep 16 2023

web jun 6 2002 this book attempts to understand an ancient people in terms of modern evolutionary biology a basic idea is that judaism is a group evolutionary strategy what one might term an evolutionarily significant way for a group of people to get on in the world

a people that shall dwell alone judaism as a group - Nov 25 2021

people thatshall dwell alone judaism as a group - Feb 09 2023

web verified purchase a people that shall dwell alone is the first book in a series by kevin macdonald about jewish history jewish culture and jewish political and economic