

PHYSICAL SCIENCES P.1

SCOPE

GRADE 12

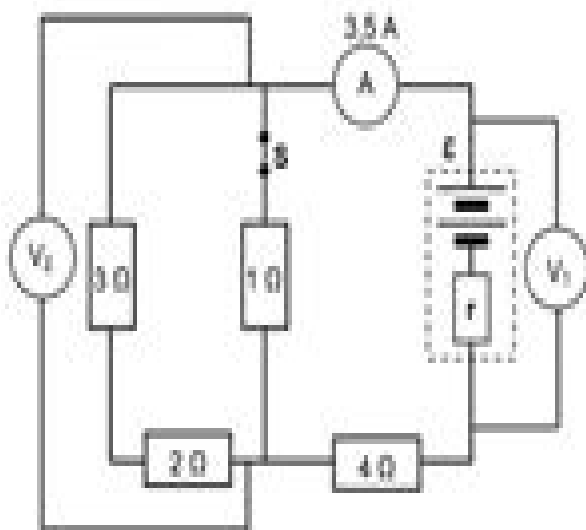
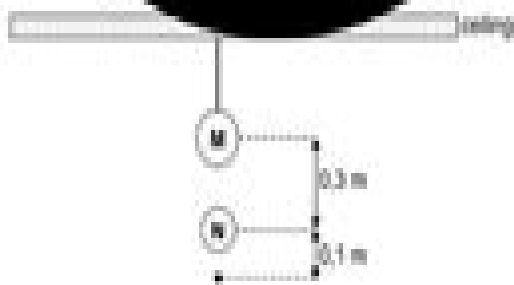
2024

FINAL EXAM



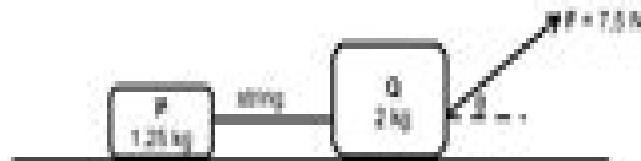
basic education

Department:
Basic Education
REPUBLIC OF SOUTH AFRICA



mass 1.25 kg is connected to another crate, Q , of mass 2 kg by a light string. The two crates are placed on a rough horizontal surface. A force F of magnitude 7.5 N , acting at angle θ to the horizontal, is applied on shown in the diagram below.

accelerate at 0.1 m s^{-2} to the right.



Grade 1 physical Science Paper Scope

J Ma



Grade 1physical Science Paper Scope:

Research in Education ,1974 **Resources in Education** ,2001-04 *Pathways to the Science Standards* Steven J. Rakow,1998 The purposes of this guide are to demonstrate how to apply the National Science Education Standards to the real world of the middle school classroom and to serve as a tool for collaboration among principals state and local administrators parents and school board members Different sections focus on science teaching standards professional development standards assessment standards content standards program standards and system standards The unifying concepts and processes discussed in the content standards include science as inquiry physical science life science earth and space science science and technology science in personal and social perspectives and the history and nature of science The appendices contain an account of the relevant history of the National Science Education Standards the actual National Science Education Standards and ideas about the design of middle school science facilities DDR Discover Science: Teacher's annotated edition ,1991 Science content helps develop the skills needed to understand how science works learn new concepts solve problems and make decisions in today s technological society **The Chemical News and Journal of Physical Science** ,1903 Research in Education ,1973 Manitoba School Journal ,1949 **Chemical News and Journal of Physical Science** William Crookes,James H. Gardiner,Gerald Druce,H. W. Blood-Ryan,1920 **Thesaurus of ERIC Descriptors** ,1990 4th 7th eds contain a special chapter on The role and function of the thesaurus in education by Frederick Goodman *Chemical News and Journal of Physical Science* ,1903

Unveiling the Magic of Words: A Report on "**Grade 1physical Science Paper Scope**"

In a world defined by information and interconnectivity, the enchanting power of words has acquired unparalleled significance. Their ability to kindle emotions, provoke contemplation, and ignite transformative change is truly awe-inspiring. Enter the realm of "**Grade 1physical Science Paper Scope**," a mesmerizing literary masterpiece penned by a distinguished author, guiding readers on a profound journey to unravel the secrets and potential hidden within every word. In this critique, we shall delve in to the book is central themes, examine its distinctive writing style, and assess its profound affect the souls of its readers.

https://staging.conocer.cide.edu/results/book-search/HomePages/Journal_Eacuterotique_Dune_Voyageuse.pdf

Table of Contents Grade 1physical Science Paper Scope

1. Understanding the eBook Grade 1physical Science Paper Scope
 - The Rise of Digital Reading Grade 1physical Science Paper Scope
 - Advantages of eBooks Over Traditional Books
2. Identifying Grade 1physical Science Paper Scope
 - Exploring Different Genres
 - Considering Fiction vs. Non-Fiction
 - Determining Your Reading Goals
3. Choosing the Right eBook Platform
 - Popular eBook Platforms
 - Features to Look for in an Grade 1physical Science Paper Scope
 - User-Friendly Interface
4. Exploring eBook Recommendations from Grade 1physical Science Paper Scope
 - Personalized Recommendations
 - Grade 1physical Science Paper Scope User Reviews and Ratings
 - Grade 1physical Science Paper Scope and Bestseller Lists

5. Accessing Grade 1physical Science Paper Scope Free and Paid eBooks
 - Grade 1physical Science Paper Scope Public Domain eBooks
 - Grade 1physical Science Paper Scope eBook Subscription Services
 - Grade 1physical Science Paper Scope Budget-Friendly Options
6. Navigating Grade 1physical Science Paper Scope eBook Formats
 - ePub, PDF, MOBI, and More
 - Grade 1physical Science Paper Scope Compatibility with Devices
 - Grade 1physical Science Paper Scope Enhanced eBook Features
7. Enhancing Your Reading Experience
 - Adjustable Fonts and Text Sizes of Grade 1physical Science Paper Scope
 - Highlighting and Note-Taking Grade 1physical Science Paper Scope
 - Interactive Elements Grade 1physical Science Paper Scope
8. Staying Engaged with Grade 1physical Science Paper Scope
 - Joining Online Reading Communities
 - Participating in Virtual Book Clubs
 - Following Authors and Publishers Grade 1physical Science Paper Scope
9. Balancing eBooks and Physical Books Grade 1physical Science Paper Scope
 - Benefits of a Digital Library
 - Creating a Diverse Reading Collection Grade 1physical Science Paper Scope
10. Overcoming Reading Challenges
 - Dealing with Digital Eye Strain
 - Minimizing Distractions
 - Managing Screen Time
11. Cultivating a Reading Routine Grade 1physical Science Paper Scope
 - Setting Reading Goals Grade 1physical Science Paper Scope
 - Carving Out Dedicated Reading Time
12. Sourcing Reliable Information of Grade 1physical Science Paper Scope
 - Fact-Checking eBook Content of Grade 1physical Science Paper Scope
 - Distinguishing Credible Sources
13. Promoting Lifelong Learning

- Utilizing eBooks for Skill Development
 - Exploring Educational eBooks
14. Embracing eBook Trends
- Integration of Multimedia Elements
 - Interactive and Gamified eBooks

Grade 1physical Science Paper Scope Introduction

In today's digital age, the availability of Grade 1physical Science Paper Scope books and manuals for download has revolutionized the way we access information. Gone are the days of physically flipping through pages and carrying heavy textbooks or manuals. With just a few clicks, we can now access a wealth of knowledge from the comfort of our own homes or on the go. This article will explore the advantages of Grade 1physical Science Paper Scope books and manuals for download, along with some popular platforms that offer these resources. One of the significant advantages of Grade 1physical Science Paper Scope books and manuals for download is the cost-saving aspect. Traditional books and manuals can be costly, especially if you need to purchase several of them for educational or professional purposes. By accessing Grade 1physical Science Paper Scope versions, you eliminate the need to spend money on physical copies. This not only saves you money but also reduces the environmental impact associated with book production and transportation. Furthermore, Grade 1physical Science Paper Scope books and manuals for download are incredibly convenient. With just a computer or smartphone and an internet connection, you can access a vast library of resources on any subject imaginable. Whether you're a student looking for textbooks, a professional seeking industry-specific manuals, or someone interested in self-improvement, these digital resources provide an efficient and accessible means of acquiring knowledge. Moreover, PDF books and manuals offer a range of benefits compared to other digital formats. PDF files are designed to retain their formatting regardless of the device used to open them. This ensures that the content appears exactly as intended by the author, with no loss of formatting or missing graphics. Additionally, PDF files can be easily annotated, bookmarked, and searched for specific terms, making them highly practical for studying or referencing. When it comes to accessing Grade 1physical Science Paper Scope books and manuals, several platforms offer an extensive collection of resources. One such platform is Project Gutenberg, a nonprofit organization that provides over 60,000 free eBooks. These books are primarily in the public domain, meaning they can be freely distributed and downloaded. Project Gutenberg offers a wide range of classic literature, making it an excellent resource for literature enthusiasts. Another popular platform for Grade 1physical Science Paper Scope books and manuals is Open Library. Open Library is an initiative of the Internet Archive, a non-profit organization dedicated to digitizing cultural artifacts and making them accessible to the public. Open Library hosts millions of books, including both public domain works

and contemporary titles. It also allows users to borrow digital copies of certain books for a limited period, similar to a library lending system. Additionally, many universities and educational institutions have their own digital libraries that provide free access to PDF books and manuals. These libraries often offer academic texts, research papers, and technical manuals, making them invaluable resources for students and researchers. Some notable examples include MIT OpenCourseWare, which offers free access to course materials from the Massachusetts Institute of Technology, and the Digital Public Library of America, which provides a vast collection of digitized books and historical documents. In conclusion, Grade 1physical Science Paper Scope books and manuals for download have transformed the way we access information. They provide a cost-effective and convenient means of acquiring knowledge, offering the ability to access a vast library of resources at our fingertips. With platforms like Project Gutenberg, Open Library, and various digital libraries offered by educational institutions, we have access to an ever-expanding collection of books and manuals. Whether for educational, professional, or personal purposes, these digital resources serve as valuable tools for continuous learning and self-improvement. So why not take advantage of the vast world of Grade 1physical Science Paper Scope books and manuals for download and embark on your journey of knowledge?

FAQs About Grade 1physical Science Paper Scope Books

1. Where can I buy Grade 1physical Science Paper Scope books? Bookstores: Physical bookstores like Barnes & Noble, Waterstones, and independent local stores. Online Retailers: Amazon, Book Depository, and various online bookstores offer a wide range of books in physical and digital formats.
2. What are the different book formats available? Hardcover: Sturdy and durable, usually more expensive. Paperback: Cheaper, lighter, and more portable than hardcovers. E-books: Digital books available for e-readers like Kindle or software like Apple Books, Kindle, and Google Play Books.
3. How do I choose a Grade 1physical Science Paper Scope book to read? Genres: Consider the genre you enjoy (fiction, non-fiction, mystery, sci-fi, etc.). Recommendations: Ask friends, join book clubs, or explore online reviews and recommendations. Author: If you like a particular author, you might enjoy more of their work.
4. How do I take care of Grade 1physical Science Paper Scope books? Storage: Keep them away from direct sunlight and in a dry environment. Handling: Avoid folding pages, use bookmarks, and handle them with clean hands. Cleaning: Gently dust the covers and pages occasionally.
5. Can I borrow books without buying them? Public Libraries: Local libraries offer a wide range of books for borrowing.

- Book Swaps: Community book exchanges or online platforms where people exchange books.
6. How can I track my reading progress or manage my book collection? Book Tracking Apps: Goodreads, LibraryThing, and Book Catalogue are popular apps for tracking your reading progress and managing book collections. Spreadsheets: You can create your own spreadsheet to track books read, ratings, and other details.
 7. What are Grade 1physical Science Paper Scope audiobooks, and where can I find them? Audiobooks: Audio recordings of books, perfect for listening while commuting or multitasking. Platforms: Audible, LibriVox, and Google Play Books offer a wide selection of audiobooks.
 8. How do I support authors or the book industry? Buy Books: Purchase books from authors or independent bookstores. Reviews: Leave reviews on platforms like Goodreads or Amazon. Promotion: Share your favorite books on social media or recommend them to friends.
 9. Are there book clubs or reading communities I can join? Local Clubs: Check for local book clubs in libraries or community centers. Online Communities: Platforms like Goodreads have virtual book clubs and discussion groups.
 10. Can I read Grade 1physical Science Paper Scope books for free? Public Domain Books: Many classic books are available for free as they're in the public domain. Free E-books: Some websites offer free e-books legally, like Project Gutenberg or Open Library.

Find Grade 1physical Science Paper Scope :

[journal eacuterotique dune voyageuse](#)

[johnson 200 hp outboard wiring diagram](#)

jolie femme jolies chaussures

jonsered service manual ict 16

[joshua and caleb coloring pages](#)

journal for fuzzy graph theory domination number

[johnson outboard motors manual 15 hp 2003](#)

[johnson sea horse 25hp outboard service manual](#)

journal thirst for righteousness living water series

[jose diaz ap spanish](#)

joomla web security canavan tom

[johnson controls nae manual](#)

johnson-controls-fee-manual
journal of acute care physical therapy
johnson-manual-115hp-oceanpro

Grade 1physical Science Paper Scope :

Advanced Accounting Chapter 2 Advanced Accounting 12th edition Hoyle, Schaefer, & Douppnik McGraw Hill Education ISBN 978-0-07-786222-0 Solution Manual for Chapter 2 chapter 02 consolidation. Advanced Accounting Chapter 2 - Solution Manual SOLUTIONS TO CASES It is important to recognize that the notes to the consolidated financial statements are regarded as an integral part of the financial ... Advanced Accounting - Chapter 2 Flashcards Study with Quizlet and memorize flashcards containing terms like • The acquisition method embraces the, A business combination is the formation of a single ... Advanced Accounting Chapter 2 Comprehensive Problem Advanced Accounting Chapter 2 Comprehensive Problem - Free download as PDF File (.pdf), Text File (.txt) or read online for free. Advanced Accounting 12e by ... Chapter 2 Solutions | Advanced Accounting 12th Edition Access Advanced Accounting 12th Edition Chapter 2 solutions now. Our solutions are written by Chegg experts so you can be assured of the highest quality! Solutions Manual for Advanced Accounting 11th Edition by ... Accounting 11th Edition by Beams, Advanced Accounting;Beams;Solutions ... Chapter 2 STOCK INVESTMENTS — INVESTOR ACCOUNTING AND REPORTING Answers to Questions 1. Advanced Accounting Homework Answers - Chapter 2 ... Problem 1 ANSWER: a.Investment in Supernova (75,000 \$20) 1,500,000 Common Stock (75,000 x \$3)225,000 Paid-in Capital in Excess of Par1,275,000 Acquisition ... Ch. 2 solutions Advanced - Studylib CHAPTER 2 SOLUTIONS TO MULTIPLE CHOICE QUESTIONS, EXERCISES AND PROBLEMS MULTIPLE CHOICE QUESTIONS 1. b Only the advanced production technology and customer ... Advanced Accounting - Chapter 2 - Part 2 - Acquisition when ... (PDF) Chapter 2 STOCK INVESTMENTS — INVESTOR ... This paper reviews fair value accounting method relative to historical cost accounting. Although both methods are widely used by entities in computing their ... TomTom ONE Manual Welcome to the TomTom ONE manual. This manual describes the features of TomTom ... Ctick N14644. This product displays the Ctick to show it complies with all ... TomTom User Manual manual tuning as follows: 1. Tap the Traffic bar in the Driving ... Note: If you have more than one TomTom navigation device, you need a separate account for. TomTom ONE Manual TomTom is a trademark of TomTom International B.V.. Adobe and the Adobe logo are either registered trademarks or trademarks of AdobeSystems Incorporated in the ... TomTom ONE Manual Welcome to the TomTom ONE manual. This manual describes the features of TomTom ONE, the perfect navigation solution for anyone on the move. For a full list ... TomTom XL This equipment radiates radio frequency energy and if not used properly - that is, in strict accordance with the instructions in this manual - may cause ... Manual TomTom One N14644 (page 1 of 57) (English) This is a User Manual of 57 pages, with a size

of 7.72 mb, in the language: English. Tomtom N14644 Manual - Fill Online, Printable, Fillable ... Fill Tomtom N14644 Manual, Edit online. Sign, fax and printable from PC, iPad, tablet or mobile with pdfFiller Instantly. Try Now! TomTom One N14644 User Manual - Libble.eu Free download of your TomTom One N14644 User Manual. Still need help after reading the user manual? Post your question in our forums. TOMTOM XL MANUAL Pdf Download View and Download TomTom XL manual online. XL gps pdf manual download ... GPS TomTom ONE/XL Manual. (73 pages). TomTom One N14644 - Owner's manual, User manual TomTom One N14644. Manuals and User Guides for TomTom One N14644. We found 3 manuals for free downloads: Owner's manual, User manual ... Exemplars Exemplar 1: Topic 8: An analysis and evaluation of the business and financial performance of an organisation over a three year period. Exemplars Many of the key themes from the ACCA syllabus - particularly financial reporting, performance measurement and business analysis - have been discussed in this ... OXFORD BROOKES BUSINESS SCHOOL - cloudfront.net Feb 19, 2018 — Business School, Oxford Brookes University. MESSAGE FROM THE VICE-CHANCELLOR. Oxford Brookes University and by extension Oxford. Brookes ... THE FACULTY OF BUSINESS - cloudfront.net with recent examples on green reporting, business ethics, stakeholder ... OXFORD BROOKES UNIVERSITY FACULTY OF BUSINESS. 10. 2.1.3. STUDENT ENGAGEMENT IN ... OXFORD BROOKES BUSINESS SCHOOL OUR PART-TIME COURSES ALSO INCLUDE: The Oxford Brookes Global MBA - Open to international students. MA/Postgraduate Diploma in Human Resource Management. MA ... OXFORD BROOKES BUSINESS SCHOOL This gives you first-class learning spaces close to university facilities, student halls and the city centre. QUALITY OF OUR COURSES. The high standard of our ... Oxford Brookes University (Oxford Brookes) Oxford Brookes students can get immediate homework help and access over 24900+ documents, study resources, practice tests, essays, notes and more. MARKETING 4001 - Oxford Brookes Access study documents, get answers to your study questions, and connect with real tutors for MARKETING 4001 at Oxford Brookes. 220156560.pdf by R Sharpe · Cited by 219 — This paper describes the implementation of an e-learning strategy at a single higher education institution in terms of the levers used to promote effective ...