

Fuel Management System

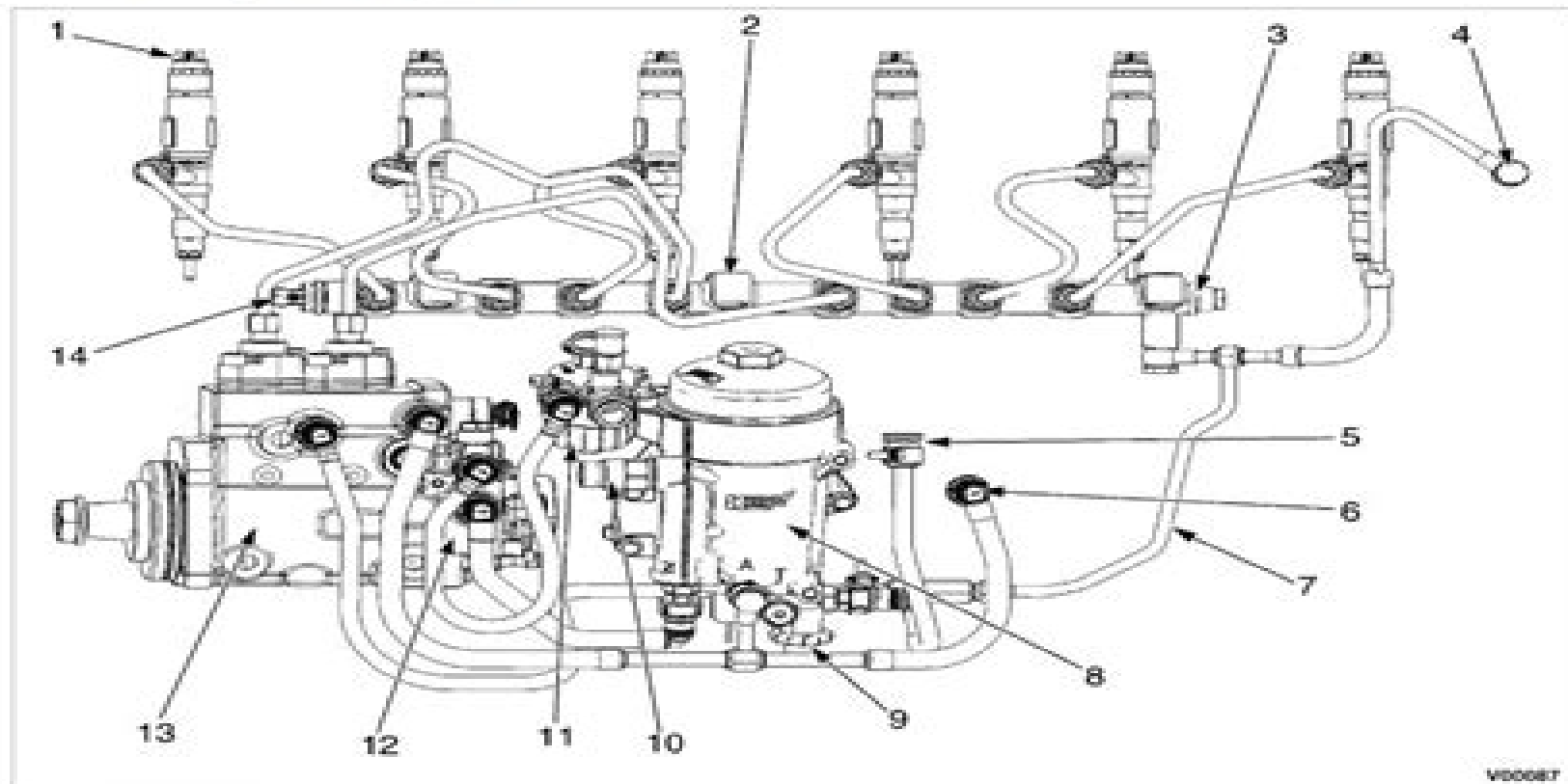


Figure 16 Fuel system

- | | | |
|--|---------------------------------------|-------------------------------------|
| 1. Injector (6) | 6. Fuel supply to DSI unit | 11. Fuel primer pump assembly |
| 2. Fuel Rail | 7. Fuel return line | 12. LP fuel pump |
| 3. Fuel rail pressure relief valve | 8. Fuel filter assembly | 13. HP fuel pump |
| 4. Fuel return from cylinder head | 9. Drain screw | 14. Fuel Rail Pressure (FRP) sensor |
| 5. Engine fuel return connection (to chassis filter) | 10. Engine Fuel Pressure (EFP) sensor | |

MaxForce® 11 and 13 engines are equipped with a high pressure common rail injection system. The common rail fuel injection system provides pressurized fuel to the fuel injectors for optimal fuel atomization in the combustion chamber.

All excess fuel is returned to the chassis mounted filter separator, before returning to the fuel tank.

The fuel system is controlled by the ECM, various sensors, and the Fuel Pressure Metering Unit (FPMU) located in the HP pump. For additional information, refer to LP Fuel System and HP Fuel System in this section.

Maxxforce Dt570 Service Manual

Michal Rosen-Zvi



Maxxforce Dt570 Service Manual:

Truck Service Manual Navistar International Corporation,1984 **Service Manual** Caterpillar Tractor Company,1979

Allis-Chalmers Shop Manual Ac-202 (I&T Shop Service Manuals/Ac-202) Penton Staff,2000-05-24 Model D 19
Models 180 185 190 190XT 200 7000 Models D 21 D 21 Series II Two Ten Two Twenty Models 7010 7020 7030 7040 7045
7050 7060 7080 Gas and diesel Diesel

Series 53 Service Manual Detroit Diesel Corporation,1990 **Ford C-Max Petrol
and Diesel (03-10) 53 to 10** M. R. Storey,2011-02-01 MPV inc special limited editions Does NOT cover CVT or Powershift
transmissions Petrol 1 6 litre 1596cc 1 8 litre 1798cc 2 0 litre 1998cc Diesel 1 6 litre 1560cc 1 8 litre 1753cc 2 0 litre 1998cc

White: Shop Manual W-201 (I & T Shop Service Manuals, W-201) Penton Staff,2000-05-24 Gas models 2 70 Diesel
models 2 30 2 35 2 45 2 55 2 62 2 65 2 70 2 75 2 85 2 105 2 135 2 150 2 155 **Service Manual** ,1983 **Service**

Manual for International Trucks, D-line Chassis - International Harvester,1977 Service Manual for HD Series Diesel
Tractors Allis-Chalmers Manufacturing Co., Milwaukee,1942* **Austin Truck** ,1954 **Model T Ford Factory Service**

Manual Ford Motor Company,David Grant. Sr. Stewart,2012-11-20 Complete illustrated instructions for all operations on the
Model T Ford *Truck Service Manual* International Harvester Company,1975 Service Manual for HD Series Diesel

Tractors Allis-Chalmers Manufacturing Company,1942* Service Manual White Motor Corporation,1976 *Service*
Manual Eaton Corporation. Transmission Division,1973 Ford S Max & Galaxy Diesel Owners Workshop Manual

Anon,2016-04-28 **Model T Ford Factory Service Manual** David Grant Stewart (Sr.),2014 *Ford Mondeo Service and*
Repair Manual Jeremy Churchill,A. K. Legg,1996-01-01 **Service Manual** ,1973* **Motor Truck and Diesel Repair**

Manual. 30th Edition ,1977

Discover tales of courage and bravery in Crafted by is empowering ebook, Stories of Fearlessness: **Maxxforce Dt570 Service Manual** . In a downloadable PDF format (Download in PDF: *), this collection inspires and motivates. Download now to witness the indomitable spirit of those who dared to be brave.

<https://staging.conocer.cide.edu/About/detail/index.jsp/mazda%20cx%207%202007%202010%20workshop%20repair%20manual.pdf>

Table of Contents Maxxforce Dt570 Service Manual

1. Understanding the eBook Maxxforce Dt570 Service Manual
 - The Rise of Digital Reading Maxxforce Dt570 Service Manual
 - Advantages of eBooks Over Traditional Books
2. Identifying Maxxforce Dt570 Service Manual
 - Exploring Different Genres
 - Considering Fiction vs. Non-Fiction
 - Determining Your Reading Goals
3. Choosing the Right eBook Platform
 - Popular eBook Platforms
 - Features to Look for in an Maxxforce Dt570 Service Manual
 - User-Friendly Interface
4. Exploring eBook Recommendations from Maxxforce Dt570 Service Manual
 - Personalized Recommendations
 - Maxxforce Dt570 Service Manual User Reviews and Ratings
 - Maxxforce Dt570 Service Manual and Bestseller Lists
5. Accessing Maxxforce Dt570 Service Manual Free and Paid eBooks
 - Maxxforce Dt570 Service Manual Public Domain eBooks
 - Maxxforce Dt570 Service Manual eBook Subscription Services
 - Maxxforce Dt570 Service Manual Budget-Friendly Options

6. Navigating Maxxforce Dt570 Service Manual eBook Formats
 - ePub, PDF, MOBI, and More
 - Maxxforce Dt570 Service Manual Compatibility with Devices
 - Maxxforce Dt570 Service Manual Enhanced eBook Features
7. Enhancing Your Reading Experience
 - Adjustable Fonts and Text Sizes of Maxxforce Dt570 Service Manual
 - Highlighting and Note-Taking Maxxforce Dt570 Service Manual
 - Interactive Elements Maxxforce Dt570 Service Manual
8. Staying Engaged with Maxxforce Dt570 Service Manual
 - Joining Online Reading Communities
 - Participating in Virtual Book Clubs
 - Following Authors and Publishers Maxxforce Dt570 Service Manual
9. Balancing eBooks and Physical Books Maxxforce Dt570 Service Manual
 - Benefits of a Digital Library
 - Creating a Diverse Reading Collection Maxxforce Dt570 Service Manual
10. Overcoming Reading Challenges
 - Dealing with Digital Eye Strain
 - Minimizing Distractions
 - Managing Screen Time
11. Cultivating a Reading Routine Maxxforce Dt570 Service Manual
 - Setting Reading Goals Maxxforce Dt570 Service Manual
 - Carving Out Dedicated Reading Time
12. Sourcing Reliable Information of Maxxforce Dt570 Service Manual
 - Fact-Checking eBook Content of Maxxforce Dt570 Service Manual
 - Distinguishing Credible Sources
13. Promoting Lifelong Learning
 - Utilizing eBooks for Skill Development
 - Exploring Educational eBooks
14. Embracing eBook Trends
 - Integration of Multimedia Elements

- Interactive and Gamified eBooks

Maxxforce Dt570 Service Manual Introduction

In this digital age, the convenience of accessing information at our fingertips has become a necessity. Whether its research papers, eBooks, or user manuals, PDF files have become the preferred format for sharing and reading documents. However, the cost associated with purchasing PDF files can sometimes be a barrier for many individuals and organizations. Thankfully, there are numerous websites and platforms that allow users to download free PDF files legally. In this article, we will explore some of the best platforms to download free PDFs. One of the most popular platforms to download free PDF files is Project Gutenberg. This online library offers over 60,000 free eBooks that are in the public domain. From classic literature to historical documents, Project Gutenberg provides a wide range of PDF files that can be downloaded and enjoyed on various devices. The website is user-friendly and allows users to search for specific titles or browse through different categories. Another reliable platform for downloading Maxxforce Dt570 Service Manual free PDF files is Open Library. With its vast collection of over 1 million eBooks, Open Library has something for every reader. The website offers a seamless experience by providing options to borrow or download PDF files. Users simply need to create a free account to access this treasure trove of knowledge. Open Library also allows users to contribute by uploading and sharing their own PDF files, making it a collaborative platform for book enthusiasts. For those interested in academic resources, there are websites dedicated to providing free PDFs of research papers and scientific articles. One such website is Academia.edu, which allows researchers and scholars to share their work with a global audience. Users can download PDF files of research papers, theses, and dissertations covering a wide range of subjects. Academia.edu also provides a platform for discussions and networking within the academic community. When it comes to downloading Maxxforce Dt570 Service Manual free PDF files of magazines, brochures, and catalogs, Issuu is a popular choice. This digital publishing platform hosts a vast collection of publications from around the world. Users can search for specific titles or explore various categories and genres. Issuu offers a seamless reading experience with its user-friendly interface and allows users to download PDF files for offline reading. Apart from dedicated platforms, search engines also play a crucial role in finding free PDF files. Google, for instance, has an advanced search feature that allows users to filter results by file type. By specifying the file type as "PDF," users can find websites that offer free PDF downloads on a specific topic. While downloading Maxxforce Dt570 Service Manual free PDF files is convenient, its important to note that copyright laws must be respected. Always ensure that the PDF files you download are legally available for free. Many authors and publishers voluntarily provide free PDF versions of their work, but its essential to be cautious and verify the authenticity of the source before downloading Maxxforce Dt570 Service Manual. In conclusion, the internet offers numerous platforms and websites that allow users to download free PDF files legally. Whether its classic

literature, research papers, or magazines, there is something for everyone. The platforms mentioned in this article, such as Project Gutenberg, Open Library, Academia.edu, and Issuu, provide access to a vast collection of PDF files. However, users should always be cautious and verify the legality of the source before downloading Maxxforce Dt570 Service Manual any PDF files. With these platforms, the world of PDF downloads is just a click away.

FAQs About Maxxforce Dt570 Service Manual Books

What is a Maxxforce Dt570 Service Manual PDF? A PDF (Portable Document Format) is a file format developed by Adobe that preserves the layout and formatting of a document, regardless of the software, hardware, or operating system used to view or print it. **How do I create a Maxxforce Dt570 Service Manual PDF?** There are several ways to create a PDF: Use software like Adobe Acrobat, Microsoft Word, or Google Docs, which often have built-in PDF creation tools. Print to PDF: Many applications and operating systems have a "Print to PDF" option that allows you to save a document as a PDF file instead of printing it on paper. Online converters: There are various online tools that can convert different file types to PDF. **How do I edit a Maxxforce Dt570 Service Manual PDF?** Editing a PDF can be done with software like Adobe Acrobat, which allows direct editing of text, images, and other elements within the PDF. Some free tools, like PDFescape or Smallpdf, also offer basic editing capabilities. **How do I convert a Maxxforce Dt570 Service Manual PDF to another file format?** There are multiple ways to convert a PDF to another format: Use online converters like Smallpdf, Zamzar, or Adobe Acrobats export feature to convert PDFs to formats like Word, Excel, JPEG, etc. Software like Adobe Acrobat, Microsoft Word, or other PDF editors may have options to export or save PDFs in different formats. **How do I password-protect a Maxxforce Dt570 Service Manual PDF?** Most PDF editing software allows you to add password protection. In Adobe Acrobat, for instance, you can go to "File" -> "Properties" -> "Security" to set a password to restrict access or editing capabilities. Are there any free alternatives to Adobe Acrobat for working with PDFs? Yes, there are many free alternatives for working with PDFs, such as: LibreOffice: Offers PDF editing features. PDFsam: Allows splitting, merging, and editing PDFs. Foxit Reader: Provides basic PDF viewing and editing capabilities. How do I compress a PDF file? You can use online tools like Smallpdf, ILovePDF, or desktop software like Adobe Acrobat to compress PDF files without significant quality loss. Compression reduces the file size, making it easier to share and download. Can I fill out forms in a PDF file? Yes, most PDF viewers/editors like Adobe Acrobat, Preview (on Mac), or various online tools allow you to fill out forms in PDF files by selecting text fields and entering information. Are there any restrictions when working with PDFs? Some PDFs might have restrictions set by their creator, such as password protection, editing restrictions, or print restrictions. Breaking these restrictions might require specific software or tools, which may or may not be legal depending on the circumstances and local laws.

Find Maxxforce Dt570 Service Manual :

[mazda cx 7 2007 2010 workshop repair manual](#)

[mazda cx9 2007 to 2009 service repair manual](#)

mbe 460 manual rod bearing torque

mbbs paper 2013 nepal

mazda tribute 2001 2006 service repair manual

mca practice test grade 8

mbchb bursary 2015

mazda bt 5mazda uk explore our full range of 57379

mazda cx 7 navigation manual

mazdaworkshop manual sp2hbrnvca

[mazda millenia owners manual](#)

[mazda mx3 v6 workshop repair manual](#)

[mazda rx7 rx 7 2000 repair service manual](#)

mazda drifter 25

[mazda customer service number](#)

Maxxforce Dt570 Service Manual :

electrochemical series examples uses study com - Jul 02 2022

web jan 10 2022 explore the examples and uses of the electrochemical series and discover oxidation of copper metals above hydrogen and examples of electrolysis updated 01 10 2022 create an account

experiment 7 electrochemistry 2 period laboratory boston university - Mar 30 2022

web electrochemistry is an area of chemistry that deals with the relations between chemical changes and electrical energy because an electrical current is a flow of electrical charges electrochemistry is primarily concerned with electron transfer reactions which are based on oxidation reduction phenomena

electrochemical series definition char and applications byju s - Jan 28 2022

web electrochemical series also referred to as activity series is a list that describes the arrangement of elements in the order of their increasing electrode potential values the series has been established by measuring the potential of various electrodes versus standard hydrogen electrodes she

electrochemical series recommended mcqs 123 questions - Dec 27 2021

web electrochemistry recommended mcqs 123 questions electrochemical series 8 qs 1 q no standard reduction electrode potential of three metals x y and z are 1.2 V, 0.5 V and 3 V respectively the reducing power of these metals will be 1 > y > z

electrochemical cells rsc education - Dec 07 2022

web and hold up short answers more complex questions could be discussed in groups not all answers to questions are included in the video some of the questions will draw on prior learning or extend learners thinking beyond the video content student version the same questions are offered as a printable worksheet for learners

10 2 electrochemistry lab chemistry libretexts - Jun 13 2023

web this is the last lab of the semester and there is no formal lab report instead this is an exploratory lab where you will design an experiment using electrochemistry to determine the concentration of an unknown solution of copper ii

electrochemical series explanation table vaia - Jan 08 2023

web the electrochemical series is a list of elements ordered by their standard electrode potentials it tells us how easily each element is oxidised compared to a reference half cell the hydrogen electrode the electrochemical series is the basis behind all kinds of modern fuel cells and batteries

experiment 9 electrochemistry i galvanic cell - May 12 2023

web introduction chemical reactions involving the transfer of electrons from one reactant to another are called oxidation reduction reactions or redox reactions in a redox reaction two half reactions occur one reactant gives up electrons undergoes oxidation and another reactant gains electrons undergoes reduction

electrochemical series explanation applications table - Sep 04 2022

web oct 22 2019 electrochemical series is defined as the arrangement of the elements or their ions in increasing or decreasing order of their standard electrode potential under standard conditions electrode potential is also reduction potential and it is calculated for many elements by comparing with standard electrode potential of hydrogen electrode *electricity from chemicals experiment rsc education* - Aug 03 2022

web an experiment that will illuminate the mysteries of ions create a cell of electrolyte and metals and watch how the reactive and non reactive metals form ion this practical helps students to grasp the ideas around electromotive force found in chemicals this experiment should take 45 minutes

the electrochemical series chemguide - Nov 06 2022

web the electrochemical series equilibrium e volts 3.03, 2.92, 2.87, 2.71, 2.37, 1.66, 0.76, 0.44, 0.13, 0.03, 0.34, 0.80, 1.50 a note on the hydrogen value remember that each e value shows whether the position of the equilibrium lies

electrochemistry report 2019 3 electrochemistry lab report - Feb 09 2023

web this lab provides the opportunity to understand the concepts and set up of electrochemical reactions understanding electrochemistry is important for its practical applications electrochemical cells are used to purify metals produced by the processes of

[define electrochemical series write its applications vedantu](#) - Feb 26 2022

web sep 6 2023 complete step by step answer the electrochemical series is defined as the arrangement of the elements in their increasing order of electrode potential values the electrochemical series is sometimes referred to as activity series

1 electrochemical cells experiment chemistry libretexts - Jul 14 2023

web jun 24 2023 in the laboratory a typical electrochemical cell has the following general construction figure pageindex 1 schematic of a galvanic cell in figure pageindex 1 there are two electrode compartments each of which contains an electrode and the constituents of the half reaction

[6 e electrochemistry practice problems with answers](#) - Apr 11 2023

web jan 10 2021 6 e electrochemistry practice problems with answers is shared under a not declared license and was authored remixed and or curated by libretexts back to top 6 9 corrosion undesirable redox reactions 7 nuclear chemistry

sch4u electrochemical cell lab answers docx course hero - Apr 30 2022

web electrochemical cell 1 select the following red wire metal silver solution 1 0 m agno 3 aq black wire metal copper solution 1 0 m cu no 3 2 aq label the diagram below showing the following electrochemical cell that you built and observed label electrode with the metals show direction of electron flow show electrode polarity

solved list the electrochemical series you developed from chegg - Mar 10 2023

web 100 7 ratings as per published electrochemical series the electrode potentials are cu 0 34v al 1 66v zn view the full answer transcribed image text list the electrochemical series you developed from this lab based on

[electrochemistry questions practice khan academy](#) - Jun 01 2022

web choose 1 answer choice a at equilibrium e c e l l text cell cell start text end text start subscript c e l l end subscript calculates to a value of 0 and the battery is considered dead because q becomes k e q text eq eq

[quiz worksheet electrochemical series study com](#) - Oct 05 2022

web quickly measure what you know about the electrochemical series with this quiz and corresponding worksheet you must be familiar with such terms as electrolysis oxidation and reduction in order

solved this is a post lab for electrochemistry determining chegg - Aug 15 2023

web this is a post lab for electrochemistry determining an activity series using galvanic cells these are the first 6 questions and this is my data but i only need answers for 7 and 8 1 using copper as the standard cu cu cell potential 0 determine the potential for each of the reactions between two metals

mitsubishi lancer evolution vii workshop manual - Aug 15 2023

web view and download mitsubishi lancer evolution vii workshop manual online lancer evolution vii automobile pdf manual download

mitsubishi lancer evolution 7 ct9a free downloadable pdf - Sep 04 2022

web mitsubishi lancer evolution 7 vii workshop manual workshop manual containing specifications repair and maintenance information for lancer evolution 7 vii model download workshop manual pdf format

mitsubishi lancer evolution pdf workshop and repair manuals - Jun 13 2023

web download mitsubishi lancer evolution iv v workshop manual pdf rar 12 3mb download mitsubishi lancer evolution vi workshop manual pdf rar 10 2mb download mitsubishi lancer evolution viii

mitsubishi lancer evolution vii manuals manualslib - May 12 2023

web we have 2 mitsubishi lancer evolution vii manuals available for free pdf download workshop manual mitsubishi lancer evolution vii workshop manual 1643 pages brand mitsubishi category automobile size 66 43 mb

[mitsubishi lancer evolution vii workshop manual](#) - Apr 11 2023

web view and download mitsubishi lancer evolution vii workshop manual online lancer evolution vii automobile pdf manual download

mitsubishi lancer evolution vi workshop manual - Feb 26 2022

web view and download mitsubishi lancer evolution vi workshop manual online mitsubishi lancer evolution vi workshop manual supplement lancer evolution vi automobile pdf manual download

mitsubishi lancer evolution vii manual pdf download - Mar 10 2023

web view and download mitsubishi lancer evolution vii manual online exterior lancer evolution vii automobile pdf manual download

[2001 2003 mitsubishi lancer evolution 7 evo vii workshop](#) - Jun 01 2022

web this 2001 2003 mitsubishi lancer evolution 7 evo vii workshop service repair manual ca013538 provides detailed illustrations step by step instructions and diagrams for service and repair of your mitsubishi lancer it is an inexpensive way to keep your car working properly this manual is compatible with all pc and mac systems and includes detailed

[mitsubishi electric lancer evolution vii workshop manual](#) - Jul 14 2023

web view and download mitsubishi electric lancer evolution vii workshop manual online lancer evolution vii automobile pdf manual download

mitsubishi lancer evolution vii workshop service repair manual - Jul 02 2022

web apr 4 2013 mitsubishi lancer evolution vii evolution viii evolution ix evo 7 evo 8 evo 9 workshop service repair manual

2001 2007 332mb 5 000 pages searchable printable indexed ipad ready pdf issu

mitsubishi lancer evolution vii workshop manual pdf scribd - Dec 07 2022

web mitsubishi lancer evolution vii workshop manual pdf electrical connector manual transmission

[mitsubishi lancer evolution 7 workshop manual free pdf](#) - Nov 06 2022

web title mitsubishi lancer evolution 7 vii workshop manual file size 56 7 mb file type zip containing pdf files manual type factory service manual workshop manual containing specifications repair and maintenance information for lancer evolution 7 vii model workshop manuals repair manuals are suitable for the below vehicles

mitsubishi lancer evolution 7 vii workshop manual - Oct 05 2022

web mitsubishi lancer evolution 7 vii workshop manual pdf free download this workshop manual contains procedures for service mechanics including removal disassembly inspection adjustment reassembly and installation use the following manuals in combination with this manual as required general engine engine

mitsubishi electric lancer evolution vii workshop manual - Jan 08 2023

web view online 1 449 pages or download pdf 60 mb mitsubishi electric lancer evolution vii user manual lancer evolution vii pdf manual download and more mitsubishi electric online manuals

[mitsubishi lancer evolution iv workshop manual](#) - Dec 27 2021

web view and download mitsubishi lancer evolution iv workshop manual online lancer evolution iv automobile pdf manual download also for lancer evolution v

mitsubishi lancer evolution 7 evo vii service repair manual - Apr 30 2022

web this is the complete official service and repair manual for the mitsubishi lancer evolution 7 evo vii it covers every single detail on your car all models and all engines are included this manual contains everything you will need to repair maintain rebuild refurbish or restore your car all diagnostic and repair procedures are covered

mitsubishi lancer evolution viii workshop manual - Jan 28 2022

web view and download mitsubishi lancer evolution viii workshop manual online lancer evolution viii automobile pdf manual download also for lancer evolution viii

mitsubishi lancer factory service repair manuals cardiagn - Aug 03 2022

web this workshop manual contains procedures for service mechanics including removal disassembly inspection adjustment reassembly and installation contents general engine engine lubrication fuel engine cooling intake electrical wiring diagrams mitsubishi colt mitsubishi lancer 2000 mitsubishi colt lancer electrical wiring

[mitsubishi lancer evolution vii technical information manual](#) - Mar 30 2022

web lancer evolution 2012 3 lancer evolution 2003 lancer evolution 2005 lancer evolution 2006 2 lancer evolution 5 lancer

evolution 8 44 lancer evolution display 2014 lancer evolution ix lancer evolution x lancer evolution x 2012 lancer evolution iv 56 lancer evolution v 29 lancer evolution vii

mitsubishi motors lancer evolution vii 2001 workshop manual - Feb 09 2023

web view and download mitsubishi motors lancer evolution vii 2001 workshop manual online lancer evolution vii 2001 automobile pdf manual download

grande e piccolo ediz a colori nicoledda costa libro emme - Aug 14 2023

web grande e piccolo ediz a colori è un libro di nicoledda costa pubblicato da emme edizioni nella collana la mia amica nuvola olga acquista su ibs a 5 90

sono piccolo o sono grande ediz a colori libreria ibs - Sep 03 2022

web sono piccolo o sono grande ediz a colori è un libro di antonella abbatiello pubblicato da la coccinella acquista su ibs a 7 50

grande o piccolo baby montessori ediz a colori - May 11 2023

web grande o piccolo baby montessori ediz a colori agnese baruzzi libro white star ragazzi 0 5 ibs home libri bambini e ragazzi da 0 a 2 anni grande o piccolo baby

piccolo o grande per il lettone ediz a colori libreria ibs - Oct 24 2021

web piccolo o grande per il lettone ediz a colori è un libro di silvia serreli pubblicato da gribaudo nella collana su per giù acquista su ibs a 7 50

grande o piccolo i minilibri ediz a colori agnese baruzzi - Apr 10 2023

web acquista online il libro grande o piccolo i minilibri ediz a colori di agnese baruzzi in offerta a prezzi imbattibili su mondadori store

grande piccolo ediz colori abebooks - Nov 05 2022

web grande o piccolo baby montessori ediz a colori by agnese baruzzi and a great selection of related books art and collectibles available now at abebooks com

grande e piccolo ediz a colori amazon co uk books - Mar 09 2023

web buy grande e piccolo ediz a colori by 9788833512228 from amazon uk s books shop free delivery on eligible orders

grande e piccolo ediz a colori libreria universitaria - Dec 06 2022

web acquista grande e piccolo ediz a colori su libreria universitaria spedizione gratuita sopra i 25 euro su libreria universitaria

grande o piccolo i minilibri ediz a colori libreria ibs - Jun 12 2023

web ediz a colori agnese baruzzi libro white star ibs grande o piccolo i minilibri ediz a colori è un libro di agnese baruzzi

pubblicato da white star acquista su ibs a

grande o piccolo i minilibri ediz a colori cartonato amazon it - Jul 13 2023

web grande o piccolo i minilibri ediz a colori baruzzi agnese amazon it libri

sono piccolo o sono grande ediz a colori cartonato amazon it - Feb 08 2023

web il libricino è a misura di bambino la copertina è bella e colorata ricordo che le pagine erano un po incollate un po dure da girare ma questo da nuove il testo è molto sintetico e

grande ediz colori abebooks - Apr 29 2022

web cosa farò da grande masha e orso nuova serie ediz a colori and a great selection of related books art and collectibles available now at abebooks com

grande e piccolo ediz a colori libreria universitaria - Jan 07 2023

web acquista il bestseller grande e piccolo ediz a colori spedizione gratuita sopra i 25 euro su libreria universitaria

grande e piccolo giulio coniglio ediz a colori - Oct 04 2022

web grande e piccolo giulio coniglio ediz a colori 9788833510507 in grandezze forme e modelli libreria universitaria libro bambini e ragazzi primo apprendimento

semi un piccolo grande viaggio ediz a colori libreria ibs - May 31 2022

web un piccolo grande viaggio ediz a colori è un libro di josé ramón alonso pubblicato da aboca edizioni nella collana aboca kids acquista su ibs a 19 00

grande o piccolo baby montessori ediz a colori amazon it - Nov 24 2021

web in questa nuova serie di libri per i più piccoli impostata su soli tre colori bianco nero rosso e sul metodo montessori questi quattro libri illustrati da agnese baruzzi propongono una

grande grande grande ediz a colori google books - Feb 25 2022

web era un qualcosa che cresceva dentro cresceva cresceva e cresceva e tu insieme a lui diventavi letteralmente un po più grande aveva ragione tua madre saresti diventata

grande e piccolo ediz a colori costa nicoletta amazon it libri - Sep 15 2023

web 16 pagine lingua italiano dimensioni 12 x 2 x 12 cm editore emme edizioni data di pubblicazione 17 aprile 2018 isbn 10 8867147579 isbn 13 978 8867147571 visualizza

sono piccolo o sono grande ediz a colori antonella abbatiello - Aug 02 2022

web may 21 2020 sono piccolo o sono grande ediz a colori antonella abbatiello pubblicato da la coccinella dai un voto prezzo online 7 90 o 3 rate da 2 63 senza

il piccolo re ediz a colori piccola farmacia letteraria - Mar 29 2022

web tutto cambia nella vita del piccolo re e della grande regina con i loro numerosi figli ecco che il castello grande grande si riempie di gioia e di colori piccolo re ediz a colori

grande e piccolo ediz a colori by nicoletta costa darelouva - Jan 27 2022

web grande o piccolo i minilibri ediz a colori agnese gratis pdf le cento lune ediz a colori piccolo pdf grande e piccolo ediz a colori it nicoletta tea e marcello carota e pisello

il piccolo principe il grande libro pop up ediz a colori - Jul 01 2022

web 33 40 4 30 di spedizione venduto da scorri sopra l immagine per ingrandirla video segui l autore antoine de sain il

piccolo principe il grande libro pop up ediz a

grande e piccolo ediz a colori pdf pdf black ortax - Dec 26 2021

web il piccolo fantasma voleva vedere il mondo alla luce del sole ma alla fine capisce che la più grande felicità è fluttuare al chiaro di luna candido come una nuvola di neve età di