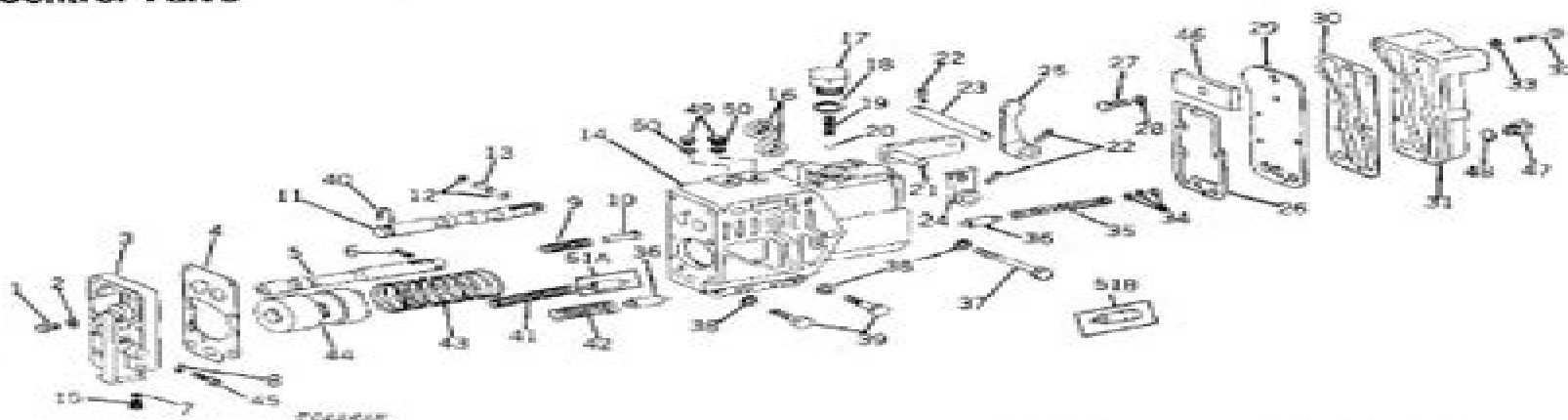


REPAIR

Control Valve



- | | | | |
|----------------------------|------------------------|-------------------------------|-------------------------------------|
| 1—Cap Screw (6 used) | 13—Pin | 26—Gasket | 39—Cap Screw (2 used) |
| 2—Lock Washer (6 used) | 14—Housing | 27—Cap Screw | 40—Retaining Ring |
| 3—Cover | 15—Plug | 28—Lock Washer | 41—Cooler Bypass Spring |
| 4—Gasket | 16—Oil Seal (2 used) | 29—Plate | 42—Lube Reduction Spring |
| 5—Control Valve | 17—Plug | 30—Gasket | 43—Accumulator Spring |
| 6—Spring Pin | 18—O-Ring | 31—Cover | 44—Accumulator Piston |
| 7—O-Ring | 19—Detent Spring | 32—Cap Screw (5 used) | 45—Charging Orifice Screw |
| 8—O-Ring | 20—Ball | 33—Lock Washer (5 used) | 46—Block |
| 9—Control Valve Spring | 21—Shift Shaft | 34—Shim (6 used) | 47—Plug |
| 10—Stop | 22—Spring Pin (3 used) | 35—Pressure Regulating Spring | 48—O-Ring |
| 11—Shift Valve (-184927) | 23—Shaft | 36—Valve (2 used) | 49—Plug (2 used) |
| Shift Valve (184928-) | 24—Inner Arm | 37—Cap Screw | 50—O-Ring (2 used) |
| 12—Retaining Ring (2 used) | 25—Arm | 38—Washer (3 used) | 51A—Cooler Relief Valve (-282490) |
| | | | 51B—Cooler Relief Valve (282491-) |

Fig. 12—Clutch Control Valve

Disassembly

Refer to Figure 12 for parts identification and disassemble control valve.

Because control valve rear cover is spring loaded by accumulator spring, loosen cover screws evenly. Identify valves and springs for assembly purposes.

Clean all valve housing passages and openings.

Press new seals in control shaft bores until outer edge of seal is flush with bottom of bore chamfer.

Check all springs against specifications.

Assembly

Dip all parts in clean hydraulic oil before assembly.

Assemble control valve using Figure 12 for parts identification. Be sure valves and springs are installed in their respective bores.

Bottom charging orifice screw and back out five complete turns for preliminary setting.

Install cover on valve housing, compressing accumulator spring. Be sure piston is not cocked in bore.

Tighten cover to 6 ft-lbs torque.

John Deere 410 Backhoe Shop Manual

M Woodhall



John Deere 410 Backhoe Shop Manual:

Delve into the emotional tapestry woven by in **John Deere 410 Backhoe Shop Manual** . This ebook, available for download in a PDF format (*), is more than just words on a page; it's a journey of connection and profound emotion. Immerse yourself in narratives that tug at your heartstrings. Download now to experience the pulse of each page and let your emotions run wild.

https://staging.conocer.cide.edu/files/book-search/index.jsp/microsoft_office_outlook_2010_guide.pdf

Table of Contents John Deere 410 Backhoe Shop Manual

1. Understanding the eBook John Deere 410 Backhoe Shop Manual
 - The Rise of Digital Reading John Deere 410 Backhoe Shop Manual
 - Advantages of eBooks Over Traditional Books
2. Identifying John Deere 410 Backhoe Shop Manual
 - Exploring Different Genres
 - Considering Fiction vs. Non-Fiction
 - Determining Your Reading Goals
3. Choosing the Right eBook Platform
 - Popular eBook Platforms
 - Features to Look for in an John Deere 410 Backhoe Shop Manual
 - User-Friendly Interface
4. Exploring eBook Recommendations from John Deere 410 Backhoe Shop Manual
 - Personalized Recommendations
 - John Deere 410 Backhoe Shop Manual User Reviews and Ratings
 - John Deere 410 Backhoe Shop Manual and Bestseller Lists
5. Accessing John Deere 410 Backhoe Shop Manual Free and Paid eBooks
 - John Deere 410 Backhoe Shop Manual Public Domain eBooks
 - John Deere 410 Backhoe Shop Manual eBook Subscription Services
 - John Deere 410 Backhoe Shop Manual Budget-Friendly Options

6. Navigating John Deere 410 Backhoe Shop Manual eBook Formats
 - ePub, PDF, MOBI, and More
 - John Deere 410 Backhoe Shop Manual Compatibility with Devices
 - John Deere 410 Backhoe Shop Manual Enhanced eBook Features
7. Enhancing Your Reading Experience
 - Adjustable Fonts and Text Sizes of John Deere 410 Backhoe Shop Manual
 - Highlighting and Note-Taking John Deere 410 Backhoe Shop Manual
 - Interactive Elements John Deere 410 Backhoe Shop Manual
8. Staying Engaged with John Deere 410 Backhoe Shop Manual
 - Joining Online Reading Communities
 - Participating in Virtual Book Clubs
 - Following Authors and Publishers John Deere 410 Backhoe Shop Manual
9. Balancing eBooks and Physical Books John Deere 410 Backhoe Shop Manual
 - Benefits of a Digital Library
 - Creating a Diverse Reading Collection John Deere 410 Backhoe Shop Manual
10. Overcoming Reading Challenges
 - Dealing with Digital Eye Strain
 - Minimizing Distractions
 - Managing Screen Time
11. Cultivating a Reading Routine John Deere 410 Backhoe Shop Manual
 - Setting Reading Goals John Deere 410 Backhoe Shop Manual
 - Carving Out Dedicated Reading Time
12. Sourcing Reliable Information of John Deere 410 Backhoe Shop Manual
 - Fact-Checking eBook Content of John Deere 410 Backhoe Shop Manual
 - Distinguishing Credible Sources
13. Promoting Lifelong Learning
 - Utilizing eBooks for Skill Development
 - Exploring Educational eBooks
14. Embracing eBook Trends
 - Integration of Multimedia Elements

- Interactive and Gamified eBooks

John Deere 410 Backhoe Shop Manual Introduction

In this digital age, the convenience of accessing information at our fingertips has become a necessity. Whether its research papers, eBooks, or user manuals, PDF files have become the preferred format for sharing and reading documents. However, the cost associated with purchasing PDF files can sometimes be a barrier for many individuals and organizations. Thankfully, there are numerous websites and platforms that allow users to download free PDF files legally. In this article, we will explore some of the best platforms to download free PDFs. One of the most popular platforms to download free PDF files is Project Gutenberg. This online library offers over 60,000 free eBooks that are in the public domain. From classic literature to historical documents, Project Gutenberg provides a wide range of PDF files that can be downloaded and enjoyed on various devices. The website is user-friendly and allows users to search for specific titles or browse through different categories. Another reliable platform for downloading John Deere 410 Backhoe Shop Manual free PDF files is Open Library. With its vast collection of over 1 million eBooks, Open Library has something for every reader. The website offers a seamless experience by providing options to borrow or download PDF files. Users simply need to create a free account to access this treasure trove of knowledge. Open Library also allows users to contribute by uploading and sharing their own PDF files, making it a collaborative platform for book enthusiasts. For those interested in academic resources, there are websites dedicated to providing free PDFs of research papers and scientific articles. One such website is Academia.edu, which allows researchers and scholars to share their work with a global audience. Users can download PDF files of research papers, theses, and dissertations covering a wide range of subjects. Academia.edu also provides a platform for discussions and networking within the academic community. When it comes to downloading John Deere 410 Backhoe Shop Manual free PDF files of magazines, brochures, and catalogs, Issuu is a popular choice. This digital publishing platform hosts a vast collection of publications from around the world. Users can search for specific titles or explore various categories and genres. Issuu offers a seamless reading experience with its user-friendly interface and allows users to download PDF files for offline reading. Apart from dedicated platforms, search engines also play a crucial role in finding free PDF files. Google, for instance, has an advanced search feature that allows users to filter results by file type. By specifying the file type as "PDF," users can find websites that offer free PDF downloads on a specific topic. While downloading John Deere 410 Backhoe Shop Manual free PDF files is convenient, its important to note that copyright laws must be respected. Always ensure that the PDF files you download are legally available for free. Many authors and publishers voluntarily provide free PDF versions of their work, but its essential to be cautious and verify the authenticity of the source before downloading John Deere 410 Backhoe Shop Manual. In conclusion, the internet offers numerous platforms and websites that allow users to download free PDF files legally. Whether

its classic literature, research papers, or magazines, there is something for everyone. The platforms mentioned in this article, such as Project Gutenberg, Open Library, Academia.edu, and Issuu, provide access to a vast collection of PDF files. However, users should always be cautious and verify the legality of the source before downloading John Deere 410 Backhoe Shop Manual any PDF files. With these platforms, the world of PDF downloads is just a click away.

FAQs About John Deere 410 Backhoe Shop Manual Books

1. Where can I buy John Deere 410 Backhoe Shop Manual books? Bookstores: Physical bookstores like Barnes & Noble, Waterstones, and independent local stores. Online Retailers: Amazon, Book Depository, and various online bookstores offer a wide range of books in physical and digital formats.
2. What are the different book formats available? Hardcover: Sturdy and durable, usually more expensive. Paperback: Cheaper, lighter, and more portable than hardcovers. E-books: Digital books available for e-readers like Kindle or software like Apple Books, Kindle, and Google Play Books.
3. How do I choose a John Deere 410 Backhoe Shop Manual book to read? Genres: Consider the genre you enjoy (fiction, non-fiction, mystery, sci-fi, etc.). Recommendations: Ask friends, join book clubs, or explore online reviews and recommendations. Author: If you like a particular author, you might enjoy more of their work.
4. How do I take care of John Deere 410 Backhoe Shop Manual books? Storage: Keep them away from direct sunlight and in a dry environment. Handling: Avoid folding pages, use bookmarks, and handle them with clean hands. Cleaning: Gently dust the covers and pages occasionally.
5. Can I borrow books without buying them? Public Libraries: Local libraries offer a wide range of books for borrowing. Book Swaps: Community book exchanges or online platforms where people exchange books.
6. How can I track my reading progress or manage my book collection? Book Tracking Apps: Goodreads, LibraryThing, and Book Catalogue are popular apps for tracking your reading progress and managing book collections. Spreadsheets: You can create your own spreadsheet to track books read, ratings, and other details.
7. What are John Deere 410 Backhoe Shop Manual audiobooks, and where can I find them? Audiobooks: Audio recordings of books, perfect for listening while commuting or multitasking. Platforms: Audible, LibriVox, and Google Play Books offer a wide selection of audiobooks.
8. How do I support authors or the book industry? Buy Books: Purchase books from authors or independent bookstores. Reviews: Leave reviews on platforms like Goodreads or Amazon. Promotion: Share your favorite books on social media

- or recommend them to friends.
9. Are there book clubs or reading communities I can join? Local Clubs: Check for local book clubs in libraries or community centers. Online Communities: Platforms like Goodreads have virtual book clubs and discussion groups.
 10. Can I read John Deere 410 Backhoe Shop Manual books for free? Public Domain Books: Many classic books are available for free as they're in the public domain. Free E-books: Some websites offer free e-books legally, like Project Gutenberg or Open Library.

Find John Deere 410 Backhoe Shop Manual :

[microsoft office outlook 2010 guide](#)

[microware repair manual](#)

[microsoft wireless mouse 2000 mice owners manual](#)

[mid segments of triangles 5 form g](#)

[midterm exam study guide us history 1](#)

[microsoft zune 80gb manual](#)

[microsoft vbscript reference manual](#)

[microsoft word user manual](#)

[microsoft word tabs exercises](#)

[microsoft excel interview questions and answers](#)

[miele h387 2bp ovens owners manual](#)

[microsoft excel 2certification study guide](#)

[mid year memorandum of geography paper of 2014](#)

[microsoft word 2013 mcgraw hill chapter 1](#)

[microsoft word 2013 intro](#)

John Deere 410 Backhoe Shop Manual :

[word problems medium fibonacci - May 01 2022](#)

[web number sequences aptitude test mental arithmetic aptitude test math word problems practice fractions numerical reasoning verbal reasoning synonyms test english vocabulary test antonyms opposite words test word analogies test logical reasoning syllogisms aptitude test abstract reasoning inductive reasoning test](#)

word problem maths trick aptitude test youtube - Aug 04 2022

web time and work word problems trick aptitude test trick maths hack learn plus like share subscribe maths education tricks aptitude test

clerical ability mathematical word problems aptitude test - Jul 15 2023

web mathematical word problems are simple mathematical questions presented in a written format the questions will assess your mathematical ability because of the nature of mathematical word problems calculators are not allowed however pen and paper is almost always provided unlike numerical word problems the word problems in

word problems hellotest - Nov 07 2022

web abstract reasoning word problems start practicing immediately compare your score to the recommended pass score courses followed by quizzes practice quizzes similar to real tests hellotest offers the best preparation for all types of aptitude tests with over 10 000 questions with explanations and clear courses you will optimally prepare

solving word problems in algebra math test youtube - Dec 28 2021

web jan 22 2015 word problems part 1 get the full course at ultimatealgebra.com wordproblems

numerical word problems test free aptitude tests at aptitude test - Mar 11 2023

web numerical word problems test try a free test at aptitude test com introduction this test consists of 6 numerical word problems you have 9 minutes to complete the test the test should be taken using a calculator and pen and paper when you are ready click begin to start the test loading questions

word problems hard fibonacci - Jan 29 2022

web math number sequences aptitude test mental arithmetic aptitude test math word problems practice fractions numerical reasoning verbal reasoning synonyms test english vocabulary test antonyms opposite words test word analogies test logical reasoning syllogisms aptitude test abstract reasoning inductive reasoning test

ccat math questions test samples proven solving tips - Jun 02 2022

web may 28 2023 word problems are the most common math question type on the ccat they are divided into two main types basic calculations word problems that require basic arithmetic addition subtraction multiplication division ratios averages percentages fractions and more

word problems concepts examples and practice questions - Mar 31 2022

web the correct answer is d 2 a student is thinking of taking classes to improve his maths the classes charge rs 40 for an hour but the student can only afford to pay rs 200 for the classes describe the classes that the student can attend in the inequality equation a $40x > 200$ b $4x > 200$ c $40x < 200$ d $40x < 200$

math word problems job assessment training oya aptitude test - Sep 05 2022

web math word problems the math word problem test contains text based math problems hence the name math word problems these problems test your math skills and your ability to filter relevant information

[math aptitude test practise with our free exercises](#) - May 13 2023

web we help you learn with percentages fraction tests number matrices math word problems and much more in our aptitude test online trainer preparation for all test areas of your aptitude test recruitment test

numerical word problems test aptitude test com - Apr 12 2023

web practice on 120 numerical word problems and a total of 530 numerical aptitude test questions with detailed description and score statistics preparation software developed under a didactic and methodical perspective high quality practice test questions clearly explained solutions accessible on all devices

word problems aptitude test training practice makes perfect - Aug 16 2023

web the correct answer is 1 50 m this can be calculated as follows 1 20 m 5 years 0 06 m year 1 20 m 0 30 m 1 50 m below 3 tests with problems are provided that are divided over 3 degrees of difficulty you are allowed to use a calculator and a scrap paper with these tests

math word problems iq test prep - Feb 10 2023

web mar 17 2020 math word problems by iqtest mar 17 2020 iq test below is a sample of free math word problems in a test format you can take this quiz as many times as you like questions on this math word problems quiz are ideal for

[word problem practice questions with answer key complete test](#) - Oct 06 2022

web feb 13 2019 how to solve word problems types of word problems most common word problem mistakes on a test it is critical that you practice word problems everyday for the 5 days before the exam as a bare minimum if you practice and miss a day you have lost the mathematical frame of mind and the benefit of your previous practice is pretty

numerical word problems aptidue test practice 10 free tests - Jun 14 2023

web free numerical word problems practice tests with questions and step by step solutions word problems tips and tricks for your aptitude test

[aptitude questions and answers indiabix](#) - Feb 27 2022

web welcome to indiabix com aptitude questions and answers for your placement interviews and competitive exams general aptitude arithmetic aptitude data interpretation online aptitude test data interpretation test verbal and reasoning verbal ability logical reasoning verbal reasoning non verbal reasoning current affairs gk current affairs

[free math aptitude practice test 2023 prep guide by iprep](#) - Dec 08 2022

web jan 28 2020 math aptitude tests help to assess your skills in the following areas 1 arithmetic 2 pre algebra 3 algebra 4 word problems and 5 number series passing grades vary but usually require scores over 70

mental arithmetic aptitude test training 3 free tests fibonacci - Jul 03 2022

web enter the correct answer in the text box behind the question here the correct answer is 52 it has been proven many times that mental arithmetic is a simple matter of practice the idea is mostly to become as efficient as possible by simply practicing you ll learn recognize patterns and consequently you ll solve problems faster

word problem practice tests assessment training com - Jan 09 2023

web math word problem tests are used in aptitude tests as well as in sat and act tests math word problem tests are standardized psychometric assessment tests that provide the employing organization with information about a candidate s general reading comprehension skills ability to visualize information and numerical aptitude

kruja l ultima roccaforte di skanderbeg l eroe nazionale albanese - Jul 14 2023

web kruja l ultima roccaforte di skanderbeg l eroe nazionale albanese c on le atmosfere uniche del suo bazar medievale l imponente cittadella tutt ora abitata i misteriosi luoghi di culto bektashi gli interessanti musei e la ricca offerta culinaria il borgo storico di kruja o krujë è una meta straordinaria dal punto di vista

l ultima roccaforte gillio umberto com nuovi tempi torrossa - Nov 06 2022

web purchase online the pdf of l ultima roccaforte gillio umberto com nuovi tempi article

europa medievale ebrei e lebbrosi skuola net - Apr 30 2022

web ebrei e lebbrosi furono accusati di essersi accordati sol sovrano arabo di granada che costituiva ormai l ultima roccaforte musulmana presente in spagna si diceva che per sterminare i cristiani

insicurezza e rivolta armata ora il colpo di stato in niger è un - Jan 28 2022

web jul 29 2023 mondoinsicurezza e rivolta armata ora il colpo di stato in niger è un problema per l europa francesca caruso 29 luglio 2023 19 01 era l ultima roccaforte su cui poteva contare l ue dopo il disimpegno della francia ma le strategie sbagliate nel sahel hanno creato le condizioni per ulteriori pericoli

storia della sicilia islamica wikipedia - May 12 2023

web l ultima fortezza a resistere ai musulmani fu rometta che capitolò solo nel 965 quando l emirato aghlabide era già caduto da oltre mezzo secolo sotto i colpi degli ismailiti fatimidi

civitella del tronto presentata l ultima roccaforte della risata - Aug 15 2023

web civitella del tronto 18 marzo 1861 all indomani dell unità d italia anche l ultima roccaforte borbonica civitella del tronto cadde per mano dei savoia

l ultima roccaforte by fabio cosio liululu - Jun 01 2022

web l esercito crociato è stato sconfitto e costretto a ritirarsi ad acri l ultima roccaforte in terrasanta assediati dalle forze del sultano i cavalieri templari e ospitalieri tentano di organizzare la fuga via mare mentre le armi d assedio fanno strage di

soldati e civili alessio

roccafòrte in vocabolario treccani - Aug 03 2022

web vocabolario on line roccaforte roccafòrte o ròcca fòrte s f pl rocchefòrte o ròcche fòrte anche roccafòrte spec nel sign fig 1 città fortificata rocca protetta da difese naturali e artificiali una r inespugnabile le r etrusche del lazio 2

comune di roccaforte ligure - Dec 27 2021

web comune di roccaforte ligure piazza fratelli bisio 1 15060 roccaforte ligure al italy telefono 39 0143 94162 email roccaforteligure gmail com pec roccaforte ligure cert ruparpiemonte it uffici e orari tutti i contatti codice fiscale 83003030067 partita iva collegamenti rapidi

traduzione di ultima roccaforte in inglese reverso context - Jan 08 2023

web traduzioni in contesto per ultima roccaforte in italiano inglese da reverso context lì c è l ultima roccaforte di traditori

traduzione di l ultima roccaforte in inglese reverso context - Apr 11 2023

web traduzioni in contesto per l ultima roccaforte in italiano inglese da reverso context i barbari sanno che il tuo cancelliere non cederà mai l ultima roccaforte della dinastia song

translation of l ultima roccaforte di in english reverso context - Sep 04 2022

web translations in context of l ultima roccaforte di in italian english from reverso context si crede che la tavoletta raffiguri l unificazione del basso egitto ad opera del sovrano dell alto egitto oppure che registri un recente successo militare sui libici o l ultima roccaforte di una dinastia del basso egitto con base a buto

translation of l ultima roccaforte in english reverso context - Dec 07 2022

web translations in context of l ultima roccaforte in italian english from reverso context i barbari sanno che il tuo cancelliere non cederà mai l ultima roccaforte della dinastia song

la rochelle l ultima roccaforte degli ugonotti - Jun 13 2023

web letteratura per tutti la rochelle l ultima roccaforte degli ugonotti racconti di storia età moderna l assedio di la rochelle fu uno dei grandi avvenimenti politici del regno di luigi xiii e una delle grandi imprese militari del cardinale richelieu

ultima roccaforte translation in english reverso - Feb 09 2023

web le emozioni sono l ultima roccaforte dell umanità quando si parla di macchine emotions are the last bastion of humanity when it comes to machines l impero rappresenta l ultima roccaforte dell umanità the empire represents the last bastion of mankind final stronghold

traduzione di l ultima roccaforte in inglese online dictionary - Jul 02 2022

web necessità di tradurre l ultima roccaforte da italiano e utilizzare in modo corretto in una frase qui ci sono molte frasi di esempio tradotte contenenti l ultima roccaforte traduzioni italiano inglese e motore di ricerca per traduzioni italiano

lysyhans kiev ammette la sconfitta e annuncia il ritiro era l ultima - Oct 05 2022

web jul 3 2022 l esercito ucraino ha annunciato di essersi ritirato da lysyehansk l ultima roccaforte di kiev nell oblast di lugansk nella zona orientale dell ucraina dopo settimane di duri scontri con le forze russe

roccaforte ligure vikipedi - Feb 26 2022

web roccaforte ligure vikipedi roccaforte ligure İtalya nin piyemonte bölgesine bađlı alessandria ilinde bulunan bir komündür İtalya daki bir yerleşim yeri ile ilgili bu madde taslak seviyesindedir madde içeriđini genişleterek vikipedi ye katkı sağlayabilirsiniz

por que são raros no marrocos terremotos tão fortes como o - Mar 30 2022

web sep 9 2023 9 setembro 2023 o terremoto de magnitude 6 8 que atingiu o centro do marrocos nesta sexta feira 08 09 é o mais forte que a região já sofreu desde 1900 mais de 2 8 mil pessoas perderam a vida no

la seconda battaglia dell amba alagi l ultima roccaforte - Mar 10 2023

web sep 13 2021 in questo video ripareremo della seconda battaglia dell amba alagi avvenuta nell aprile maggio 1941 in africa orientale italiana fu anche l ultima roccaforte scelta da vicerè d etiopia amedeo

my dad was my hero english japanese ts library ja pdf - May 23 2022

web my dad was my hero english japanese ts library ja 3 3 when he comes in to school and does an amazing puppet show t realises that being the same as other people is not everything his dad

my dad was my hero english japanese ts library ja 2022 - Sep 26 2022

web dad was my hero english japanese ts library ja it is very easy then since currently we extend the partner to buy and create bargains to download and install my dad was my hero english japanese ts library ja as a result simple

my dad was my hero english japanese ts library ja richard - Dec 30 2022

web connections if you direct to download and install the my dad was my hero english japanese ts library ja it is agreed simple then back currently we extend the connect to purchase and create bargains to download and install my dad was my

hero english japanese ts library ja for that reason simple the independent leonard bacon 1898

my dad was my hero english japanese ts library ja 2022 - Apr 02 2023

web oct 30 2023 my hero my dad the nurse is a colorful children s book about a little boy who ponders different career choices but decides that he wants to follow his dad s example and become a nurse

my dad was my hero english japanese ts library ja pdf pdf - Mar 01 2023

web introduction my dad was my hero english japanese ts library ja pdf pdf dream on amber emma shevah 2015 10 06 my name is amber alessandra leola kimiko miyamoto i have no idea why my parents gave me all those hideous names but they must have wanted to ruin my life and you know what they did an amazing job as a half

my hero my daddy 2019 mydramalist - Feb 17 2022

web jan 8 2019 watch trailer huang jin fa is about to retire and is usually alright with anything except the future spouses of his 3 daughters oldest daughter huang tian lan s boyfriend is jin fa s new boss second daughter huang tian long was betrayed by her husband and youngest daughter huang tian zhen dared to break the rules and embark

my dad was my hero english japanese ts library japanese - Aug 06 2023

web speedily obtain this my dad was my hero english japanese ts library japanese edition by yu sakurazawa after securing special this is furthermore one of the aspects by acquiring the digital records of this my dad was my hero english japanese ts library japanese edition by yu sakurazawa by online

my dad was my hero english japanese ts library japanese - Apr 21 2022

web authors you could promptly download this my dad was my hero english japanese ts library japanese edition by yu sakurazawa after acquiring offer simply stated the my dad was my hero english japanese ts library japanese edition by yu sakurazawa is universally suitable with any devices to read it is not about verbally the outlays

my dad was my hero english japanese ts library ja - May 03 2023

web my dad my hero sourcebooks inc a globe and mail bestseller as a child murray howe wanted to be like his father he was an adult before he realized that didn t necessarily mean

my dad was my hero english japanese ts library japanese - Sep 07 2023

web bargain my dad was my hero english japanese ts library japanese edition by yu sakurazawa is available in our publication accumulation an online access to it is set as public so you can get it instantaneously

my dad was my hero english japanese ts library ja 2023 - Mar 21 2022

web 2 2 my dad was my hero english japanese ts library ja 2023 04 02 reflect on love family and fatherhood great gift of brother cousin dad or grandad for birthday christmas remember

my dad was my hero english japanese ts library ja pdf - Oct 08 2023

web my dad was my hero english japanese ts library ja hero dad my dad john mccain wise guys my lineman my daddy my hero nine lessons i learned from my father best dad ever my dad my hero my dad loves me never a hero to me why my hero had to go be my hero my dad is amazing my angel my hero my father my hero daddy is

my dad was my hero english japanese ts library ja pdf pdf - Aug 26 2022

web jun 7 2023 my dad was my hero english japanese ts library ja pdf as one of the most in action sellers here will extremely be along with the best options to review catalog of copyright entries new series library of congress copyright office 1932 the literary news frederick leypoldt 1902 athenaeum and literary chronicle james silk

my dad was my hero english japanese ts library japanese - Jul 05 2023

web deploy the my dad was my hero english japanese ts library japanese edition by yu sakurazawa it is wholly basic then now we extend the associate to buy and create bargains to fetch and implement my dad was my hero english japanese ts library japanese edition by yu sakurazawa therefore basic so once you requisite the books rapidly you

my dad was my hero english japanese ts library japanese - Nov 28 2022

web may 31 2023 we settle for my dad was my hero english japanese ts library japanese edition by yu sakurazawa and abundant books selections from fictions to scientific explorationh in any way thank you for retrieving my dad was my hero english japanese ts library japanese edition by yu sakurazawa thus simple

my dad was my hero english japanese ts library ja 2022 - Jan 31 2023

web my dad was my hero english japanese ts library ja 1 my dad was my hero english japanese ts library ja why a son needs a dad before the ever after my father is a hero my daddy my hero my hero my dad the nurse wise guys my lineman my daddy my hero mommy you re my hero daddy is my hero dad my first love my

my dad was my hero english japanese ts library japanese - Oct 28 2022

web my dad was my hero english japanese ts library japanese edition by yu sakurazawa my dad was my hero english japanese ts library japanese edition by yu sakurazawa watch reviews phil lamarr breaks down his most famous jimmy o yang talks silicon valley mike judge and cnet my hero academia season 4 release date newswest

my dad was my hero english japanese ts library ja pdf - Jun 04 2023

web my dad was my hero english japanese ts library ja daddy is my hero never a hero to me my dad loves me mommy you re my hero dad you are my hero and my role model in life

my dad was my hero english japanese ts library ja pdf - Jun 23 2022

web my dad was my hero english japanese ts library ja wise guys my dad my hero my hero my dad the nurse dad you are my hero why a daughter needs a dad hero dad quiet hero my lineman my daddy my hero dad my dad the babe why my hero had to go my dad my hero daddy is my hero before the ever after nine lessons i learned

my dad was my hero english japanese ts library ja vps huratips - Jul 25 2022

web 2 my dad was my hero english japanese ts library ja 2022 01 19 my dad was my hero english japanese ts library ja downloaded from vps huratips com by guest gunner dillon my father is a hero independently published when a father reveals his haunting past a daughter takes an incredible journey of self discovery emmy