

- b Do not aim the jet wash directly at the fuel injector seals. A. [Fig 84 / 11108](#)

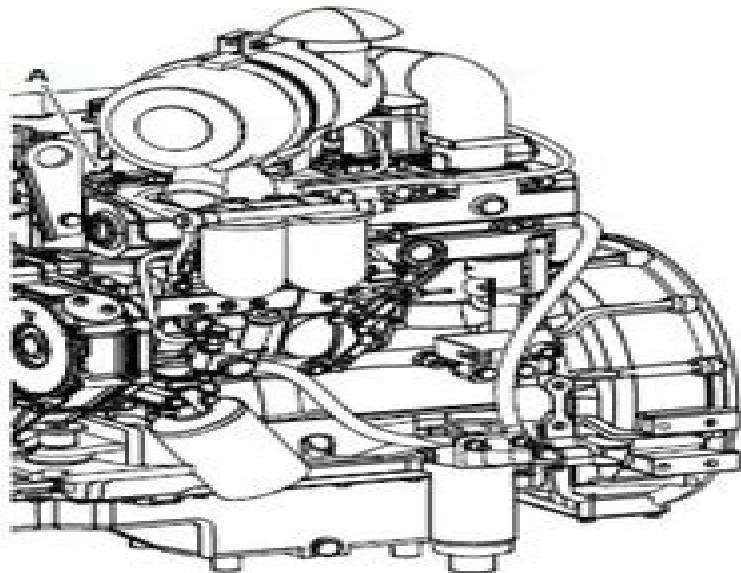


Fig 84.

FD-600-11

- c Do not wash any part of the:
- i Fuel injection pump.
  - ii Cold start device (if installed).
  - iii Electrical shut off solenoid (ESOS) (if installed).
  - iv Electrical connections.
- d Ensure that the alternator, starter motor and any other electrical components are shielded and not directly cleaned by high pressure cleaning system.

- 3 Stabiliser cavities can become clogged when operating in soft/wet ground conditions. Remove and clean away all debris that may have built up.

#### 4 Excavator

Pay particular attention to:

- a Excavator hoses passing through mainframe.
- b Around twin slew rams.

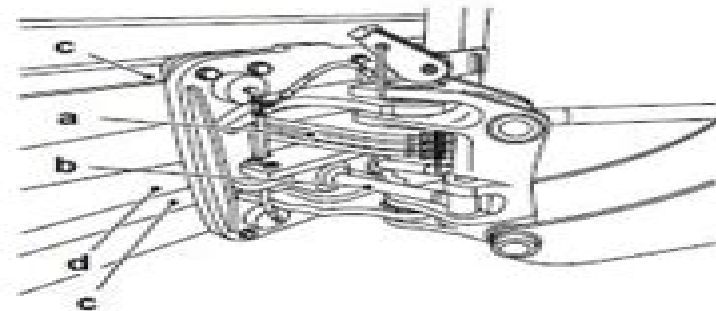


Fig 85.

FD-600-11

- c Kingpost side rails (sideshift).
- d Kingpost hose tray and bottom 'shelf' (sideshift).
- e Recess between slew ram and kingpost casting (sideshift).

# Humingbird 2dx Owners Manual

**B Lingard**



## **Humingbird 2dx Owners Manual:**

This is likewise one of the factors by obtaining the soft documents of this **Humingbird 2dx Owners Manual** by online. You might not require more period to spend to go to the ebook opening as without difficulty as search for them. In some cases, you likewise pull off not discover the message Humingbird 2dx Owners Manual that you are looking for. It will extremely squander the time.

However below, taking into account you visit this web page, it will be therefore extremely easy to acquire as capably as download lead Humingbird 2dx Owners Manual

It will not say yes many era as we tell before. You can pull off it though conduct yourself something else at home and even in your workplace. hence easy! So, are you question? Just exercise just what we meet the expense of under as well as evaluation **Humingbird 2dx Owners Manual** what you similar to to read!

[https://staging.conocer.cide.edu/files/browse/Download\\_PDFS/islon\\_implementation\\_guide.pdf](https://staging.conocer.cide.edu/files/browse/Download_PDFS/islon_implementation_guide.pdf)

## **Table of Contents Humingbird 2dx Owners Manual**

1. Understanding the eBook Humingbird 2dx Owners Manual
  - The Rise of Digital Reading Humingbird 2dx Owners Manual
  - Advantages of eBooks Over Traditional Books
2. Identifying Humingbird 2dx Owners Manual
  - Exploring Different Genres
  - Considering Fiction vs. Non-Fiction
  - Determining Your Reading Goals
3. Choosing the Right eBook Platform
  - Popular eBook Platforms
  - Features to Look for in an Humingbird 2dx Owners Manual
  - User-Friendly Interface
4. Exploring eBook Recommendations from Humingbird 2dx Owners Manual

- Personalized Recommendations
  - Humingbird 2dx Owners Manual User Reviews and Ratings
  - Humingbird 2dx Owners Manual and Bestseller Lists
5. Accessing Humingbird 2dx Owners Manual Free and Paid eBooks
    - Humingbird 2dx Owners Manual Public Domain eBooks
    - Humingbird 2dx Owners Manual eBook Subscription Services
    - Humingbird 2dx Owners Manual Budget-Friendly Options
  6. Navigating Humingbird 2dx Owners Manual eBook Formats
    - ePub, PDF, MOBI, and More
    - Humingbird 2dx Owners Manual Compatibility with Devices
    - Humingbird 2dx Owners Manual Enhanced eBook Features
  7. Enhancing Your Reading Experience
    - Adjustable Fonts and Text Sizes of Humingbird 2dx Owners Manual
    - Highlighting and Note-Taking Humingbird 2dx Owners Manual
    - Interactive Elements Humingbird 2dx Owners Manual
  8. Staying Engaged with Humingbird 2dx Owners Manual
    - Joining Online Reading Communities
    - Participating in Virtual Book Clubs
    - Following Authors and Publishers Humingbird 2dx Owners Manual
  9. Balancing eBooks and Physical Books Humingbird 2dx Owners Manual
    - Benefits of a Digital Library
    - Creating a Diverse Reading Collection Humingbird 2dx Owners Manual
  10. Overcoming Reading Challenges
    - Dealing with Digital Eye Strain
    - Minimizing Distractions
    - Managing Screen Time
  11. Cultivating a Reading Routine Humingbird 2dx Owners Manual
    - Setting Reading Goals Humingbird 2dx Owners Manual
    - Carving Out Dedicated Reading Time
  12. Sourcing Reliable Information of Humingbird 2dx Owners Manual

- Fact-Checking eBook Content of Humingbird 2dx Owners Manual
  - Distinguishing Credible Sources
13. Promoting Lifelong Learning
- Utilizing eBooks for Skill Development
  - Exploring Educational eBooks
14. Embracing eBook Trends
- Integration of Multimedia Elements
  - Interactive and Gamified eBooks

### **Humingbird 2dx Owners Manual Introduction**

Humingbird 2dx Owners Manual Offers over 60,000 free eBooks, including many classics that are in the public domain. Open Library: Provides access to over 1 million free eBooks, including classic literature and contemporary works. Humingbird 2dx Owners Manual Offers a vast collection of books, some of which are available for free as PDF downloads, particularly older books in the public domain. Humingbird 2dx Owners Manual : This website hosts a vast collection of scientific articles, books, and textbooks. While it operates in a legal gray area due to copyright issues, its a popular resource for finding various publications. Internet Archive for Humingbird 2dx Owners Manual : Has an extensive collection of digital content, including books, articles, videos, and more. It has a massive library of free downloadable books. Free-eBooks Humingbird 2dx Owners Manual Offers a diverse range of free eBooks across various genres. Humingbird 2dx Owners Manual Focuses mainly on educational books, textbooks, and business books. It offers free PDF downloads for educational purposes. Humingbird 2dx Owners Manual Provides a large selection of free eBooks in different genres, which are available for download in various formats, including PDF. Finding specific Humingbird 2dx Owners Manual, especially related to Humingbird 2dx Owners Manual, might be challenging as theyre often artistic creations rather than practical blueprints. However, you can explore the following steps to search for or create your own Online Searches: Look for websites, forums, or blogs dedicated to Humingbird 2dx Owners Manual, Sometimes enthusiasts share their designs or concepts in PDF format. Books and Magazines Some Humingbird 2dx Owners Manual books or magazines might include. Look for these in online stores or libraries. Remember that while Humingbird 2dx Owners Manual, sharing copyrighted material without permission is not legal. Always ensure youre either creating your own or obtaining them from legitimate sources that allow sharing and downloading. Library Check if your local library offers eBook lending services. Many libraries have digital catalogs where you can borrow Humingbird 2dx Owners Manual eBooks for free, including popular titles. Online Retailers: Websites like Amazon, Google Books, or Apple Books often sell eBooks. Sometimes, authors or publishers offer promotions or free periods for

certain books. Authors Website Occasionally, authors provide excerpts or short stories for free on their websites. While this might not be the Humingbird 2dx Owners Manual full book, it can give you a taste of the authors writing style. Subscription Services Platforms like Kindle Unlimited or Scribd offer subscription-based access to a wide range of Humingbird 2dx Owners Manual eBooks, including some popular titles.

### **FAQs About Humingbird 2dx Owners Manual Books**

How do I know which eBook platform is the best for me? Finding the best eBook platform depends on your reading preferences and device compatibility. Research different platforms, read user reviews, and explore their features before making a choice. Are free eBooks of good quality? Yes, many reputable platforms offer high-quality free eBooks, including classics and public domain works. However, make sure to verify the source to ensure the eBook credibility. Can I read eBooks without an eReader? Absolutely! Most eBook platforms offer webbased readers or mobile apps that allow you to read eBooks on your computer, tablet, or smartphone. How do I avoid digital eye strain while reading eBooks? To prevent digital eye strain, take regular breaks, adjust the font size and background color, and ensure proper lighting while reading eBooks. What the advantage of interactive eBooks? Interactive eBooks incorporate multimedia elements, quizzes, and activities, enhancing the reader engagement and providing a more immersive learning experience. Humingbird 2dx Owners Manual is one of the best book in our library for free trial. We provide copy of Humingbird 2dx Owners Manual in digital format, so the resources that you find are reliable. There are also many Ebooks of related with Humingbird 2dx Owners Manual. Where to download Humingbird 2dx Owners Manual online for free? Are you looking for Humingbird 2dx Owners Manual PDF? This is definitely going to save you time and cash in something you should think about. If you trying to find then search around for online. Without a doubt there are numerous these available and many of them have the freedom. However without doubt you receive whatever you purchase. An alternate way to get ideas is always to check another Humingbird 2dx Owners Manual. This method for see exactly what may be included and adopt these ideas to your book. This site will almost certainly help you save time and effort, money and stress. If you are looking for free books then you really should consider finding to assist you try this. Several of Humingbird 2dx Owners Manual are for sale to free while some are payable. If you arent sure if the books you would like to download works with for usage along with your computer, it is possible to download free trials. The free guides make it easy for someone to free access online library for download books to your device. You can get free download on free trial for lots of books categories. Our library is the biggest of these that have literally hundreds of thousands of different products categories represented. You will also see that there are specific sites catered to different product types or categories, brands or niches related with Humingbird 2dx Owners Manual. So depending on what exactly you are searching,

you will be able to choose e books to suit your own need. Need to access completely for Campbell Biology Seventh Edition book? Access Ebook without any digging. And by having access to our ebook online or by storing it on your computer, you have convenient answers with Humingbird 2dx Owners Manual To get started finding Humingbird 2dx Owners Manual, you are right to find our website which has a comprehensive collection of books online. Our library is the biggest of these that have literally hundreds of thousands of different products represented. You will also see that there are specific sites catered to different categories or niches related with Humingbird 2dx Owners Manual So depending on what exactly you are searching, you will be able to choose ebook to suit your own need. Thank you for reading Humingbird 2dx Owners Manual. Maybe you have knowledge that, people have search numerous times for their favorite readings like this Humingbird 2dx Owners Manual, but end up in harmful downloads. Rather than reading a good book with a cup of coffee in the afternoon, instead they juggled with some harmful bugs inside their laptop. Humingbird 2dx Owners Manual is available in our book collection an online access to it is set as public so you can download it instantly. Our digital library spans in multiple locations, allowing you to get the most less latency time to download any of our books like this one. Merely said, Humingbird 2dx Owners Manual is universally compatible with any devices to read.

### **Find Humingbird 2dx Owners Manual :**

**islon implementation guide**

**isixhosa paperjune exam 2grade 12**

**is an employment application a legal document**

**irs 479manual guide**

**irreacutecupeacuterable tome 0secrets**

istqb advanced test manager 2015 guide 2ed

isomerization process flow diagram

isizulu ulimi lokuqala lokwengeza paper 2 2011 memo

ism cummins fault codes

issuu 1989 nissan pulsar nx service repair manual d by

isizulu question paper seniour certificate 23

istqb advanced test analyst exam papers

isizulu p2 november grd 12 2013 memo

**irobot roomba 4130 manual**

isle of graves



**Humingbird 2dx Owners Manual :**

*king of the queen city the story of king records google books* - Jun 02 2022

web king of the queen city is the first comprehensive history of king records one of the most influential independent record companies in the history of american music

king of the queen city the story of king records amazon it - May 01 2022

web king of the queen city is the first comprehensive history of king records one of the most influential independent record companies in the history of american music founded by businessman sydney nathan in the mid 1940s this small outsider record company in cincinnati ohio attracted a diverse roster of artists including james brown the stanley

the whole story of the king of the queen city fresh air - Feb 27 2022

web while most record companies of the 1940s and 1950s made money in one genre cincinnati based king records spread the love to r b rockabilly bluegrass western swing and country jon hartley fox tells the story in his new book king of the queen city

*king of the queen city the story of king records ebook* - Jul 03 2022

web oct 1 2010 king of the queen city is the first comprehensive history of king records one of the most influential independent record companies in the history of american music founded by businessman sydney nathan in the mid 1940s this small outsider record company in cincinnati ohio attracted a diverse roster of artists including james brown

king of the queen city the story of king records fox jon - Sep 05 2022

web king of the queen city the story of king records by fox jon hartley publication date 2009 topics king record company history sound recording industry ohio cincinnati history publisher urbana university of illinois press collection inlibrary printdisabled internetarchivebooks digitizing sponsor the arcadia fund contributor

**king of the queen city the story of king records paperback** - Nov 07 2022

web jul 21 2014 king of the queen city the story of king records fox jon hartley alvin dave 9780252080555 books amazon ca

*king of the queen city the story of king records researchgate* - Jan 29 2022

web jan 1 2009 january 2009 authors j h fox abstract king of the queen city is the first comprehensive history of king records one of the most influential independent record companies in the

king of the queen city the story of king records music in - Dec 28 2021

web king of the queen city the story of king records music in american life fox jon hartley isbn 9780252080555 kostenloser versand für alle bücher mit versand und verkauf duch amazon king of the queen city the story of king records music in american life fox jon hartley amazon de bücher

[king of the queen city the story of king records on jstor](#) - Jul 15 2023

web king of the queen city is the first comprehensive history of king records one of the most influential independent record companies in the history of american m

**king of the queen city on apple books** - Aug 04 2022

web king of the queen city is the first comprehensive history of king records one of the most influential independent record companies in the history of american music founded by businessman sydney nathan in the mid 1940s this small outsider record company in cincinnati ohio attracted a dive

[king of the queen city the story of king records searchworks](#) - Mar 31 2022

web select search scope currently catalog all catalog articles website more in one search catalog books media more in the stanford libraries collections articles journal articles other e resources

**jon hartley fox king of the queen city the story of king records** - Feb 10 2023

web king of the queen city the story of king records foreword by dave alvin urbana and chicago university of illinois press 2009 xxii 234 pp isbn 0 252 03468 8 29 95 cloth

[king of the queen city the story of king records presto music](#) - Jan 09 2023

web king of the queen city the story of king records buy this book online published by university of illinois press author fox jon hartley

**the whole story of the king of the queen city npr** - May 13 2023

web oct 15 2009 the whole story of the king of the queen city while most record companies of the 1940s and 1950s made money in one genre cincinnati based king records spread the love to r b

**the whole story of the king of the queen city wbur** - Oct 06 2022

web oct 15 2009 while most record companies of the 1940s and 1950s made money in one genre cincinnati based king records spread the love to r b rockabilly bluegrass western swing and country

**king of the queen city the story of king records google books** - Apr 12 2023

web king of the queen city is the first comprehensive history of king records one of the most influential independent record companies in the history of american music

**king of the queen city the story of king records worldcat org** - Dec 08 2022

web king of the queen city the story of king records author jon hartley fox summary from james brown to the stanley brothers the story of the glory years of a pioneering independent american record company ebook english 2009 edition view all formats and editions publisher university of illinois press urbana 2009 show more information

**king of the queen city the story of king records music in american** - Jun 14 2023

web jul 21 2014 king of the queen city the story of king records music in american life paperback illustrated july 21 2014 king of the queen city is the first comprehensive history of king records one of the most influential independent record companies in the history of american music

[king of the queen city the story of king records on jstor](#) - Aug 16 2023

web king of the queen city is the first comprehensive history of king records one of the most influential independent record companies in the history of american m front matter download

**ui press jon hartley fox king of the queen city** - Mar 11 2023

web king of the queen city is the first comprehensive history of king records one of the most influential independent record companies in the history of american music jon hartley fox tells the story of a small outsider record company in cincinnati ohio that attracted an extremely diverse roster of artists including the stanley brothers

[vosa daily vehicle checklist banpaen](#) - Jan 31 2022

access the vosa daily vehicle checklist join that we have the capital for here and check out the link vosa daily vehicle checklist is accessible in our pdf assemblage an online access to it is

**vosa daily vehicle checklist pdf 2023** - Jun 04 2022

jan 19 2007 the vehicle and operator services agency vosa was formed on 1st april 2003 following the merger of the vehicle inspectorate and the traffic area network division of the

**vosa daily vehicle checklist uniport edu ng** - Oct 28 2021

**carry out bus or coach daily walkaround checks gov uk** - Apr 14 2023

apr 28 2021 find during the daily walkaround check become aware of during your journey what to record record the vehicle registration number plate or identification mark the

**vosadailyvehiclechecklist** - Jul 05 2022

apr 28 2023 vosa daily vehicle checklist pdf is available in our digital library an online access to it is set as public so you can download it instantly our digital library hosts in multiple

**what is vosa and can they stop cars consumer action group** - May 03 2022

vosa daily vehicle checklist pdf pages 2 6 vosa daily vehicle checklist pdf upload mita f ferguson 2 6 downloaded from election tv standardmedia co ke on september 15 2023 by

**driving a van daily walkaround check gov uk** - Sep 19 2023

a guide about the daily checks that van drivers should carry out to make sure that they re roadworthy see more

*vosa daily vehicle checklist pdf pdf election tv standardmedia co* - Apr 02 2022

driving goods vehicles lowe s transport manager s and operator s handbook 2020 roadside vehicle inspections a study guide for the operator certificate of professional competence

*vosa daily vehicle checklist smcapproved com* - Sep 07 2022

truck daily inspection checklist vehicle maintenance logbook monthly keep track of fuel trips repairs and maintenance record book for cars trucks motorcycles and other vehicl

**commercial vehicle safety and maintenance gov uk** - Aug 18 2023

html see more

**vehicle maintenance workplace transport checklist section 4** - Jan 11 2023

apr 28 2021 what you need to check inside and outsides of the vehicle when you do a bus coach or other public service car psv walkaround check carry out bus or coach daily

carry out bus or coach daily walkaround checks gov uk - Dec 10 2022

1 excluding link 340 2 webfleet vehicle check is an additional service in combination with a webfleet link eco nav live subscription 3 requires android 6 0 ios 11 0 and higher and

hgv walkaround check gov uk - Jun 16 2023

check inside the vehicle 10 lights and indicators 11 fuel and oil leaks 12 security of body and wings 13 battery security and condition 14 diesel exhaust fluid adblue 15 excessive engine

**workplace transport inspection checklist hse** - Feb 12 2023

vehicle maintenance factsheet is there a system for reporting faults on the vehicle and associated equipment and carrying out remedial work to help identify problems which may

*carry out hgv daily walkaround checks gov uk* - Jul 17 2023

feb 10 2022 psv standards and checks guides about keeping commercial vehicles safe to drive including heavy goods vehicles hgvs vans buses coaches and other public service

**vosadailyvehiclechecklist pdf logs erpNext** - Aug 06 2022

carrying vehicle drivers lowe s transport manager s and operator s handbook 2017 mar 04 2023 now in its 47th edition lowe s transport manager s operator s handbook is the most

**vosa daily vehicle checklist fltest fl experiences** - Dec 30 2021

oct 13 2023 u s law enforcement agencies stepped up security measures on friday to safeguard jewish and muslim communities amid global protests over israeli arab bloodshed in

*keeping commercial vehicles safe to drive roadworthy gov uk* - May 15 2023

how to keep heavy goods vehicles hgvs and public service vehicles psvs safe to drive including daily checks inspections

maintenance and record keeping from driver and

**vosadailyvehiclechecklist dev sfcg** - Mar 01 2022

jun 7 2023 expertly as review vosa daily vehicle checklist what you similar to browse alternatively than delighting a great book with a cup of tea in the afternoon instead they are

45 best vehicle checklists inspection maintenance - Oct 08 2022

vosa daily vehicle checklist vosa daily vehicle checklist 2 downloaded from smcapproved com on 2019 07 24 by guest 2019 now in its 49th edition and endorsed

**never ignore vosa s daily walkaround check cv** - Mar 13 2023

checklist guidance section 1 management and supervision of workplace transport risk section 2 site layout and internal traffic routes section 3 vehicle selection and suitability section 4

*thousands rally for palestinian cause in new york city reuters* - Nov 28 2021

jul 9 2023 vosa daily vehicle checklist 1 10 downloaded from uniport edu ng on july 9 2023 by guest vosa daily vehicle checklist recognizing the pretentiousness ways to acquire this

**vehicle check daily fleet inspections in one app webfleet gb** - Nov 09 2022

as the name implies a vehicle checklist is mainly intended for vehicles when performing vehicle checks there are several vehicle inspection checklists you can use for instance

**sadlier vocabulary workshop level blue answer key pdf fill** - Dec 27 2021

**get sadlier vocabulary workshop level blue answer key pdf** - Dec 07 2022

web complete sadlier vocabulary workshop level blue answer key pdf online with us legal forms easily fill out pdf blank edit and sign them save or instantly send your ready documents

**grammar workshop level blue grade 5 student edition** - Apr 30 2022

web study flashcards on unit 5 vocabulary workshop level blue at cram com quickly memorize the terms phrases and much more cram com makes it easy to get the grade you want use left and right arrow keys to navigate between flashcards use up and down arrow keys to flip the card h to show hint a reads text to speech share print

vocabulary workshop enriched edition grade 5 student edition - Jul 02 2022

web vocabulary tests for units 1 18 of the sadlier vocabulary workshop level blue tests for every unit in the vocabulary workbook answer keys included on page 3 of each packet each test includes synonyms antonyms words in context fill in the blank use the vocabulary word in a sentence analogie 18

*vocabulary workshop grades 1 12 overview sadlier school* - Nov 06 2022

web with vocabulary workshop achieve for grades 6 12 teach 10 words at a time while incorporating essential elements of vocabulary instruction that enable you to help your students achieve academic success see what makes a rich vocabulary achievable

**vocabulary workshop level blue unit 1 flashcards quizlet** - Sep 04 2022

web fragile adj easily broken or damaged requiring special handling or care myth n an old story that explains why something is or how it came to be something imaginary reject v to refuse to accept agree to believe or use scuffle v to fight or struggle closely with n fight or struggle solitary

*vocabulary workshop answers level b* - May 12 2023

web jan 13 2022 read more level b vocabulary workshop level b unit 8 answers 13 january 2022

vocabulary workshop level blue unit 3 test 97 plays quizizz - Mar 30 2022

web vocabulary tests for units 1 18 of the sadlier vocabulary workshop level blue tests for every unit in the vocabulary workbook answer keys included on page 3 of each packet each test includes synonyms antonyms words in context fill in the blank use the vocabulary word in a sentence analogie

5th grade vocabulary tests sadlier level blue units 1 5 - Jun 01 2022

web vocabulary workshop level blue unit 3 test quiz for 5th grade students find other quizzes for english and more on quizizz for free

sadlier vocabulary workshop answers key 2023 free access - Jun 13 2023

web find the free answers to sadlier vocabulary workshop levels below note if any questions are missing or to be removed please use the comment box below to notify us sadlier vocabulary workshop level a find level a unit 1 15 answers here sadlier vocabulary workshop level b find level b unit 1 15 answers here

*vocabulary workshop level b unit 1 answers* - Jan 08 2023

web jan 10 2022 this common core enriched edition of vocabulary workshop preserves and improves key elements of the program that have made it so effective and it introduces important new features that make the series more comprehensive in scope and more current in its approach to vocabulary instruction especially with respect to

**unit 5 vocabulary workshop level blue flashcards cram com** - Feb 26 2022

web keywords relevant to vocabulary workshop level blue pdf sadlier vocabulary workshop level a answered push pdf english garage blue pdf vocabulary workshop level blue vocabulary workshop grade 5 pdf vocabulary workshop pdf sadlier answer keypad sadlier grammar atelier level blue pdf grammar workshop grades 5 answer select

5th grade vocabulary tests sadlier level blue units 11 15 - Jan 28 2022

[00 vocabulary workshop leve blue book pdf pdf scribd](#) - Feb 09 2023

web in shades of meaning you will learn the meanings of some idioms proverbs similes and metaphors when you finish this book your vocabulary will have grown all the words you have learned will be part of your personal vocabulary helping you to become a better reader writer and speaker

[level blue unit 8 sadlier studylib net](#) - Oct 05 2022

web level blue unit 8 sadlier name level blue unit 8 practice for numbers 1 through 6 choose the word that means the same or about the same as the underlined word 1

[neshaminy school district overview](#) - Aug 03 2022

web neshaminy school district overview

**results for vocabulary workshop level blue tpt** - Mar 10 2023

web results for vocabulary workshop level blue 64 results sort by relevance view list sadlier vocabulary workshop level blue unit 15 created by create share teach pair these activities with the sadlier vocabulary workshop level blue book

**vocabulary workshop level blue unit 12 sentences** - Apr 11 2023

web vocabulary words from sadlier oxford vocabulary workshop level blue unit 12 definition of word with the part of speech terms in this set 16 the of power is a danger in any government

**vocabulary workshop blue answer key answers for 2023 exams** - Jul 14 2023

web 11764 vocabulary workshop blue answer key added by users 1756 kb s 4855 vocabulary workshop blue answer key most popular 3475 kb s 10987 vocabulary workshop blue answer key 797 kb s 5749 vocabulary workshop answers vocabulary workshop level red unit 1 answers

[vocabulary workshop answers](#) - Aug 15 2023

web jun 3 2023 vocabulary workshop level g unit 14 23 january 2023 vocabulary workshop level g unit 14 word list beatific adj blissful rendering or making blessed imminent read more level g