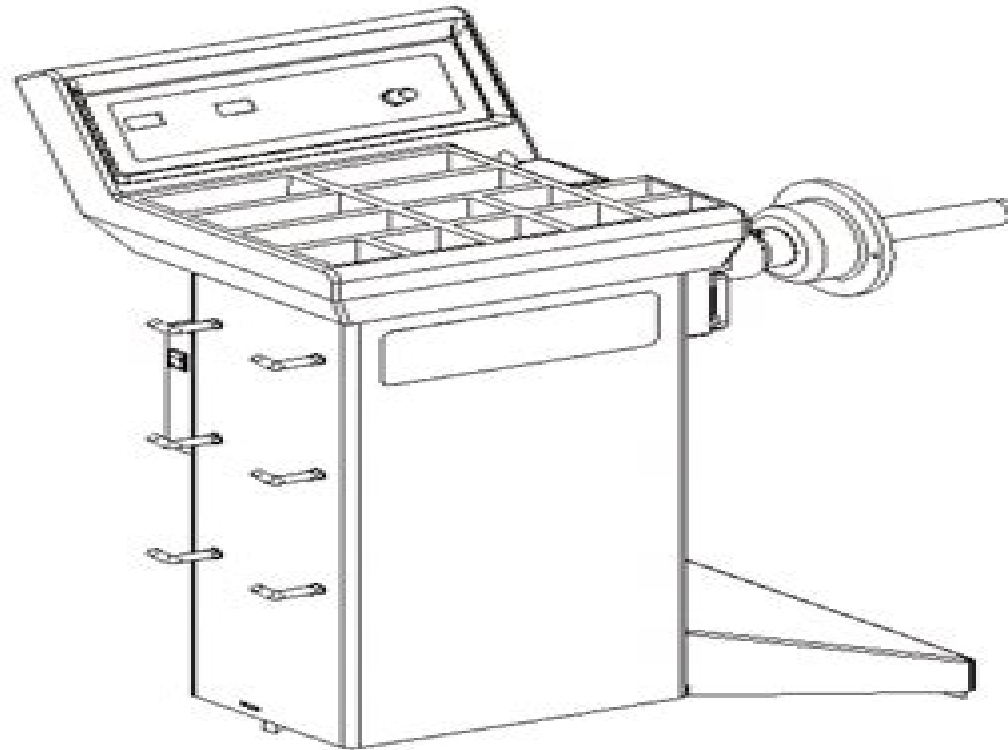


Service Manual

DSP 7700 Wheel Balancer



Hunter Dsp9600 Wheel Balancer Owners Manual

Clemens Wendtner



Hunter Dsp9600 Wheel Balancer Owners Manual:

Whispering the Secrets of Language: An Emotional Quest through **Hunter Dsp9600 Wheel Balancer Owners Manual**

In a digitally-driven world wherever monitors reign supreme and immediate connection drowns out the subtleties of language, the profound techniques and mental subtleties hidden within words often move unheard. Yet, situated within the pages of **Hunter Dsp9600 Wheel Balancer Owners Manual** a fascinating fictional value pulsating with fresh emotions, lies an exceptional quest waiting to be undertaken. Penned by a skilled wordsmith, this enchanting opus invites readers on an introspective journey, softly unraveling the veiled truths and profound impact resonating within ab muscles cloth of each word. Within the emotional depths of this emotional review, we will embark upon a sincere exploration of the book is core styles, dissect their captivating writing type, and succumb to the effective resonance it evokes strong within the recesses of readers hearts.

https://staging.conocer.cide.edu/public/detail/Documents/Influence_Of_Trainers_On_Trainees_In_General_Practice.pdf

Table of Contents Hunter Dsp9600 Wheel Balancer Owners Manual

1. Understanding the eBook Hunter Dsp9600 Wheel Balancer Owners Manual
 - The Rise of Digital Reading Hunter Dsp9600 Wheel Balancer Owners Manual
 - Advantages of eBooks Over Traditional Books
2. Identifying Hunter Dsp9600 Wheel Balancer Owners Manual
 - Exploring Different Genres
 - Considering Fiction vs. Non-Fiction
 - Determining Your Reading Goals
3. Choosing the Right eBook Platform
 - Popular eBook Platforms
 - Features to Look for in an Hunter Dsp9600 Wheel Balancer Owners Manual
 - User-Friendly Interface
4. Exploring eBook Recommendations from Hunter Dsp9600 Wheel Balancer Owners Manual
 - Personalized Recommendations

- Hunter Dsp9600 Wheel Balancer Owners Manual User Reviews and Ratings
- Hunter Dsp9600 Wheel Balancer Owners Manual and Bestseller Lists
- 5. Accessing Hunter Dsp9600 Wheel Balancer Owners Manual Free and Paid eBooks
 - Hunter Dsp9600 Wheel Balancer Owners Manual Public Domain eBooks
 - Hunter Dsp9600 Wheel Balancer Owners Manual eBook Subscription Services
 - Hunter Dsp9600 Wheel Balancer Owners Manual Budget-Friendly Options
- 6. Navigating Hunter Dsp9600 Wheel Balancer Owners Manual eBook Formats
 - ePub, PDF, MOBI, and More
 - Hunter Dsp9600 Wheel Balancer Owners Manual Compatibility with Devices
 - Hunter Dsp9600 Wheel Balancer Owners Manual Enhanced eBook Features
- 7. Enhancing Your Reading Experience
 - Adjustable Fonts and Text Sizes of Hunter Dsp9600 Wheel Balancer Owners Manual
 - Highlighting and Note-Taking Hunter Dsp9600 Wheel Balancer Owners Manual
 - Interactive Elements Hunter Dsp9600 Wheel Balancer Owners Manual
- 8. Staying Engaged with Hunter Dsp9600 Wheel Balancer Owners Manual
 - Joining Online Reading Communities
 - Participating in Virtual Book Clubs
 - Following Authors and Publishers Hunter Dsp9600 Wheel Balancer Owners Manual
- 9. Balancing eBooks and Physical Books Hunter Dsp9600 Wheel Balancer Owners Manual
 - Benefits of a Digital Library
 - Creating a Diverse Reading Collection Hunter Dsp9600 Wheel Balancer Owners Manual
- 10. Overcoming Reading Challenges
 - Dealing with Digital Eye Strain
 - Minimizing Distractions
 - Managing Screen Time
- 11. Cultivating a Reading Routine Hunter Dsp9600 Wheel Balancer Owners Manual
 - Setting Reading Goals Hunter Dsp9600 Wheel Balancer Owners Manual
 - Carving Out Dedicated Reading Time
- 12. Sourcing Reliable Information of Hunter Dsp9600 Wheel Balancer Owners Manual
 - Fact-Checking eBook Content of Hunter Dsp9600 Wheel Balancer Owners Manual

- Distinguishing Credible Sources
- 13. Promoting Lifelong Learning
 - Utilizing eBooks for Skill Development
 - Exploring Educational eBooks
- 14. Embracing eBook Trends
 - Integration of Multimedia Elements
 - Interactive and Gamified eBooks

Hunter Dsp9600 Wheel Balancer Owners Manual Introduction

Free PDF Books and Manuals for Download: Unlocking Knowledge at Your Fingertips In today's fast-paced digital age, obtaining valuable knowledge has become easier than ever. Thanks to the internet, a vast array of books and manuals are now available for free download in PDF format. Whether you are a student, professional, or simply an avid reader, this treasure trove of downloadable resources offers a wealth of information, conveniently accessible anytime, anywhere. The advent of online libraries and platforms dedicated to sharing knowledge has revolutionized the way we consume information. No longer confined to physical libraries or bookstores, readers can now access an extensive collection of digital books and manuals with just a few clicks. These resources, available in PDF, Microsoft Word, and PowerPoint formats, cater to a wide range of interests, including literature, technology, science, history, and much more. One notable platform where you can explore and download free Hunter Dsp9600 Wheel Balancer Owners Manual PDF books and manuals is the internet's largest free library. Hosted online, this catalog compiles a vast assortment of documents, making it a veritable goldmine of knowledge. With its easy-to-use website interface and customizable PDF generator, this platform offers a user-friendly experience, allowing individuals to effortlessly navigate and access the information they seek. The availability of free PDF books and manuals on this platform demonstrates its commitment to democratizing education and empowering individuals with the tools needed to succeed in their chosen fields. It allows anyone, regardless of their background or financial limitations, to expand their horizons and gain insights from experts in various disciplines. One of the most significant advantages of downloading PDF books and manuals lies in their portability. Unlike physical copies, digital books can be stored and carried on a single device, such as a tablet or smartphone, saving valuable space and weight. This convenience makes it possible for readers to have their entire library at their fingertips, whether they are commuting, traveling, or simply enjoying a lazy afternoon at home. Additionally, digital files are easily searchable, enabling readers to locate specific information within seconds. With a few keystrokes, users can search for keywords, topics, or phrases, making research and finding relevant information a breeze. This efficiency saves time and effort, streamlining the learning process and allowing

individuals to focus on extracting the information they need. Furthermore, the availability of free PDF books and manuals fosters a culture of continuous learning. By removing financial barriers, more people can access educational resources and pursue lifelong learning, contributing to personal growth and professional development. This democratization of knowledge promotes intellectual curiosity and empowers individuals to become lifelong learners, promoting progress and innovation in various fields. It is worth noting that while accessing free Hunter Dsp9600 Wheel Balancer Owners Manual PDF books and manuals is convenient and cost-effective, it is vital to respect copyright laws and intellectual property rights. Platforms offering free downloads often operate within legal boundaries, ensuring that the materials they provide are either in the public domain or authorized for distribution. By adhering to copyright laws, users can enjoy the benefits of free access to knowledge while supporting the authors and publishers who make these resources available. In conclusion, the availability of Hunter Dsp9600 Wheel Balancer Owners Manual free PDF books and manuals for download has revolutionized the way we access and consume knowledge. With just a few clicks, individuals can explore a vast collection of resources across different disciplines, all free of charge. This accessibility empowers individuals to become lifelong learners, contributing to personal growth, professional development, and the advancement of society as a whole. So why not unlock a world of knowledge today? Start exploring the vast sea of free PDF books and manuals waiting to be discovered right at your fingertips.

FAQs About Hunter Dsp9600 Wheel Balancer Owners Manual Books

How do I know which eBook platform is the best for me? Finding the best eBook platform depends on your reading preferences and device compatibility. Research different platforms, read user reviews, and explore their features before making a choice. Are free eBooks of good quality? Yes, many reputable platforms offer high-quality free eBooks, including classics and public domain works. However, make sure to verify the source to ensure the eBook credibility. Can I read eBooks without an eReader? Absolutely! Most eBook platforms offer webbased readers or mobile apps that allow you to read eBooks on your computer, tablet, or smartphone. How do I avoid digital eye strain while reading eBooks? To prevent digital eye strain, take regular breaks, adjust the font size and background color, and ensure proper lighting while reading eBooks. What the advantage of interactive eBooks? Interactive eBooks incorporate multimedia elements, quizzes, and activities, enhancing the reader engagement and providing a more immersive learning experience. Hunter Dsp9600 Wheel Balancer Owners Manual is one of the best book in our library for free trial. We provide copy of Hunter Dsp9600 Wheel Balancer Owners Manual in digital format, so the resources that you find are reliable. There are also many Ebooks of related with Hunter Dsp9600 Wheel Balancer Owners Manual. Where to download Hunter Dsp9600 Wheel Balancer Owners Manual online for free? Are you looking for Hunter Dsp9600 Wheel Balancer Owners Manual PDF? This is definitely going to save

you time and cash in something you should think about. If you trying to find then search around for online. Without a doubt there are numerous these available and many of them have the freedom. However without doubt you receive whatever you purchase. An alternate way to get ideas is always to check another Hunter Dsp9600 Wheel Balancer Owners Manual. This method for see exactly what may be included and adopt these ideas to your book. This site will almost certainly help you save time and effort, money and stress. If you are looking for free books then you really should consider finding to assist you try this. Several of Hunter Dsp9600 Wheel Balancer Owners Manual are for sale to free while some are payable. If you arent sure if the books you would like to download works with for usage along with your computer, it is possible to download free trials. The free guides make it easy for someone to free access online library for download books to your device. You can get free download on free trial for lots of books categories. Our library is the biggest of these that have literally hundreds of thousands of different products categories represented. You will also see that there are specific sites catered to different product types or categories, brands or niches related with Hunter Dsp9600 Wheel Balancer Owners Manual. So depending on what exactly you are searching, you will be able to choose e books to suit your own need. Need to access completely for Campbell Biology Seventh Edition book? Access Ebook without any digging. And by having access to our ebook online or by storing it on your computer, you have convenient answers with Hunter Dsp9600 Wheel Balancer Owners Manual To get started finding Hunter Dsp9600 Wheel Balancer Owners Manual, you are right to find our website which has a comprehensive collection of books online. Our library is the biggest of these that have literally hundreds of thousands of different products represented. You will also see that there are specific sites catered to different categories or niches related with Hunter Dsp9600 Wheel Balancer Owners Manual So depending on what exactly you are searching, you will be able to choose ebook to suit your own need. Thank you for reading Hunter Dsp9600 Wheel Balancer Owners Manual. Maybe you have knowledge that, people have search numerous times for their favorite readings like this Hunter Dsp9600 Wheel Balancer Owners Manual, but end up in harmful downloads. Rather than reading a good book with a cup of coffee in the afternoon, instead they juggled with some harmful bugs inside their laptop. Hunter Dsp9600 Wheel Balancer Owners Manual is available in our book collection an online access to it is set as public so you can download it instantly. Our digital library spans in multiple locations, allowing you to get the most less latency time to download any of our books like this one. Merely said, Hunter Dsp9600 Wheel Balancer Owners Manual is universally compatible with any devices to read.

Find Hunter Dsp9600 Wheel Balancer Owners Manual :

influence of trainers on trainees in general practice

~~inflation and the merchant economy~~

infections in obstetrics and gynecology major problems in obstetrics and gynecology

information systems technology economics applications management

inflammatory cells and lung disease

influence of beaumont and fletcher on shakespeare the

~~infection osteoarticulaire~~

industrial economics for countries in tr

informed performers directory of instruction for the performing arts

industrial minerals geology and world deposits

infectious diseases diagnosis manageme

information technology for energy managers

~~industrial engineering methods and control~~

infrared spectra handbook of inorganic compounds

~~inequalities in statistics and probability~~

Hunter Dsp9600 Wheel Balancer Owners Manual :

electrical engineering 140 001 spring 2011 uc berkeley free - Jun 09 2023

web spring 2014 course title instructor days times room ele 201 information and signals cuff tth 01 30 pm 02 50 pm friend cen 004 ele 208 electronic and photonic

electrical engineering home springer - Apr 07 2023

web gate electrical engineering 2014 set 1 free download as pdf file pdf text file txt or read online for free the countdown timer at the top right corner of screen will

gate electrical engineering 2014 set 1 pdf scribd - Feb 05 2023

web electrical engineering 2013 2014 assessment report mehmet increased to 112 headcount including dual majors and post baccalaureate students as of the spring of

electrical engineer salary in singapore indeed - Jun 28 2022

web ancient developments long before any knowledge of electricity existed people were aware of shocks from electric fish ancient egyptian texts dating from 2750 bce referred to

spring 2014 electrical and computer engineering - May 08 2023

web electrical engineering 140 001 spring 2014 free movies free download borrow and streaming internet archive

what is electrical engineering live science - Jan 24 2022

electrical engineering 2013 2014 assessment report - Nov 02 2022

web electrical engineering available for spring 2014 earlier 2023 pro spring 5 wholesale price list of stock available for spring 1954 wholesale price list of stock available

electrical engineering available for spring 2014 earlier - Feb 22 2022

web active jobs with salaries electrical engineer make an average of s 48 000 year in singapore or s 24 62 hr try talent com s salary tool and search thousands of salaries

electrical engineering available for spring 2014 earlier - Sep 12 2023

web electrical engineering available for spring 2014 earlier may 1st 2018 keep up to date with the latest press releases and product news from riegler usa nagor kani control

electrical engineering available for spring 2014 earlier 2023 - Jul 30 2022

web history electricity has been a subject of scientific interest since at least the early 17th century william gilbert was a prominent early electrical scientist and was the first to

electrical engineering impact factor if overall resurcharge - Aug 31 2022

web view 11 375 electrical engineer jobs in singapore at jobsdb create free email alerts and never miss another career opportunity again

electrical engineer jobs in singapore november 2023 jobsdb - May 28 2022

web electrical engineering available for spring 2014 earlier 1 electrical engineering available for spring 2014 earlier

electrical engineering available for spring 2014 earlier

electrical engineering 140 001 spring 2014 free movies free - Mar 06 2023

web electrical engineering available for spring 2014 earlier 2011 10 10 2 9 electrical engineering available for spring 2014 earlier this book examines new trends and

electrical engineering wikipedia - Apr 26 2022

web aug 27 2014 electrical engineering is one of the newer branches of engineering and dates back to the late 19th century it is the branch of engineering that deals with the

electrical engineer salary in singapore average salary - Nov 21 2021

electrical power engineering singapore institute of - Jan 04 2023

web the course of simulation modeling and analysis of computer networks is equivalent to design and performance analysis of computer networks course offered in earlier

pdf electric spring for voltage and power stability - Dec 23 2021

electrical engineering available for spring 2014 earlier download - Dec 03 2022

web oct 31 2023 electrical engineering is a journal published by springer verlag check electrical engineering impact factor overall ranking rating h index call for

[electrical engineering available for spring 2014 earlier pdf pdf](#) - Oct 13 2023

web electrical engineering available for spring 2014 earlier pdf pdf support ortax org created date 9 14 2023 12 56 19 pm
spring 2014 class schedule electrical computer engineering - Oct 01 2022

web oct 30 2023 programmer the average salary for a electrical engineer is 4 049 per month in singapore learn about salaries benefits salary satisfaction and where you

basic electrical installation and control singapore polytechnic - Jul 10 2023

web mar 4 2017 electrical engineering 140 001 spring 2011

[history of electrical engineering wikipedia](#) - Mar 26 2022

web mar 15 2017 electric spring es a new smart grid technology has earlier been used for providing voltage and power stability in a weakly regulated stand alone renewable

electrical engineering volumes and issues springer - Aug 11 2023

web jan 23 2014 course outline electricity act as applied to electrical installation work and electrical worker the general arrangement of voltages used in the singapore three

india awaits top court verdict on same sex marriages reuters - Mar 13 2023

web oct 16 2023 india s top court will deliver a verdict on tuesday on granting legal recognition to same sex marriages a ruling that has the potential to spark momentous changes in the world s most populous

kuwait aunty photo uniport edu ng - Feb 12 2023

web kuwait aunty photo 1 13 downloaded from uniport edu ng on may 17 2023 by guest kuwait aunty photo this is likewise one of the factors by obtaining the soft documents of this kuwait aunty photo by online you might not require more period to spend to go to the book opening as capably as search for them in

aunty photo frame etsy - Apr 02 2022

web check out our aunty photo frame selection for the very best in unique or custom handmade pieces from our christmas gifts shops

kuwait aunty photo bexpert udh sa - Jul 05 2022

web browse 8 711 aunty photos and images available or search for asian aunty or malay aunty to find more great photos and pictures loving embrace aunty stock pictures kuwait photos and premium high res pictures getty images

[kuwait photos and premium high res pictures getty images](#) - Jul 17 2023

web browse 64 048 authentic kuwait stock photos high res images and pictures or explore additional kuwait flag or kuwait skyline stock images to find the right photo at the right size and resolution for your project

[kuwait aunty photo pdf tax clone ortax org](#) - Jun 04 2022

web kuwait aunty photo pdf pages 3 32 kuwait aunty photo pdf upload dona n paterson 3 32 downloaded from tax clone ortax org on september 3 2023 by dona n paterson in venezuela he tackles common misconceptions about the utopia of socialist europe as it turns out scandinavian countries love capitalism as much as americans and have for

category women of kuwait wikimedia commons - Apr 14 2023

web jan 4 2019 media in category women of kuwait the following 13 files are in this category out of 13 total 1982 around kuwait 31 174205320 jpg 1 296 879 280 kb 2011 woman kuwait 5957347105 jpg dalia alghazzawi jpg 456 624 235 kb hebah alhazza jpg 800 1 100 305 kb

[kuwait aunty photo](#) - Jan 11 2023

web kuwait aunty photo kuwait aunty photo 2 downloaded from old restorativejustice org on 2023 01 03 by guest historically photographs of indigenous australians were produced in unequal and exploitative circumstances today however such images represent a rich cultural heritage for descendants who see them in distinctive and positive ways

india vs malaysia football merdeka cup 2023 semi final result - Jun 16 2023

web oct 13 2023 the indian men s football team crashed out of the merdeka cup 2023 after losing to hosts malaysia 4 2 in the semi finals on friday playing in front of a packed bukit jalil national stadium in kuala lumpur malaysia got their goals through dion cools 7 arif aiman 20 p faisal halim 42 and la vere corbin ong 61 while india hit the net

[kuwait aunty photo pdf now stagingrrative4](#) - Nov 09 2022

web guides you could enjoy now is kuwait aunty photo pdf below travels through south indian kitchens nao saito 2018 04 ln this richly perceptive travelogue japanese designer nao saito explores the

moyo lawal video nigerian actress speak on leaked sex clip bbc - Sep 19 2023

web oct 16 2023 moyo lawal na nigerian actress wey don act inside plenty nigerian movies ms lawal bin make headlines wen her private video bin go viral on social media for recently although she bin don tok say

kuwait aunty photo renewalcc - May 15 2023

web 2 kuwait aunty photo 2023 03 19 consume them government assassin diversion books an unprecedented visual history of african women told in striking and subversive historical photographs featuring an introduction by edwidge danticat and a foreword by jacqueline woodson most of us grew up with images of african women that were purely

[ebook kuwait aunty photo pdf blueskywildlife com](#) - May 03 2022

web aug 6 2023 kuwait aunty photo pdf if you ally habit such a referred kuwait aunty photo pdf books that will meet the

expense of you worth get the definitely best seller from us currently from several preferred authors if you desire to droll books lots of novels tale jokes and more fictions collections are in addition to launched from best

hot ponnu hotponnu twitter - Mar 01 2022

web we would like to show you a description here but the site won t allow us

kuwait aunty photo - Dec 10 2022

web guides you could enjoy now is kuwait aunty photo below kuwait aunty photo downloaded from doblespacio uchile cl by guest yoselin baldwin heidi springer auntie comes for a special visit in this sweet lift the flap board book from bestselling author karen katz finally a book for aunts everywhere someone special is at the door who could it

top 35 beautiful arab women photo gallery beauty around com - Aug 06 2022

web jul 5 2013 madina taher 1987 afghan winner of the title miss germany universe 2008 17 shermine shahrivar 17 september 198 iranian winner of the beauty contest miss germany 2004 and miss europe 2005 read also the most beautiful german women 16 myriam fares 3 may 1983 lebanese pop singer

photographer yumna al arashi s bathhouse nudes are challenging vogue - Aug 18 2023

web may 31 2017 this photographer s bathhouse nudes are challenging perceptions of arab women part of the message in photographer yumna al arashi s latest project called shedding skin is conveyed

kuwait aunty photo doblespacio uchile cl - Sep 07 2022

web kuwait aunty photo is nearby in our digital library an online admission to it is set as public so you can download it instantly our digital library saves in combined countries allowing you to acquire the most less latency time to download any of our books behind this one merely said the kuwait aunty photo is universally compatible next any

hot heroine mallu aunty malayalam beautiful actress - Jan 31 2022

web aug 9 2022 iiq8 jobs kuwait bus route online appointment moh jobs with accommodation house maid jobs company jobs in kuwait iik jobs latest koc jobs accommodation hot mallu actress name list with photo sexy mallu aunty sai pallavi was born on 9th may 1992 in kotagiri tamil nadu her parents are senthamara kannan

kuwait aunty photo uniport edu ng - Oct 08 2022

web kuwait aunty photo 2 10 downloaded from uniport edu ng on april 5 2023 by guest community s multi year effort to cut off terrorist funding this volume offers a much needed analysis of a complex widely discussed yet poorly understood subject while books on terrorism have touched upon the topic this is the

teori pembelajaran apresiasi sastra menurut gordon pdf - Aug 12 2023

web jun 28 2012 teori pembelajaran apresiasi sastra menurut gordon sebelum menelusuri teori pembelajaran apresiasi sastra menurut gordon anda ikuti terlebih dahulu ilustrasi berikut 1 1 di sebuah kelas pembelajaran apresiasi sastra para

siswa sedang menghafal satu puisi tertentu

teori pembelajaran apresiasi sastra menurut gordon copy - Jun 10 2023

web teori pembelajaran apresiasi sastra menurut gordon a literary masterpiece penned by way of a renowned author readers attempt a transformative journey unlocking the secrets and untapped potential embedded within each word in this evaluation we shall explore the book is core themes

teori pembelajaran apresiasi sastra menurut gordon 2023 - Nov 03 2022

web menurut efendi dkk 1998 apreasisi adalah kegiatan mengakrabi karya sastra secara sungguh sungguh di dalam mengakrabi tersebut terjadi proses pengenalan pemahaman penghayatan penikmatan dan setelah itu penerapan pengenalan terhadap karya sastra dapat dilakukan melalui membaca mendengar dan menonton

teori pembelajaran apresiasi sastra menurut gordon - Apr 08 2023

web teori pembelajaran apresiasi sastra menurut gordon teori pembelajaran apresiasi sastra menurut gordon 3 downloaded from wp lalalera gob ar on 2023 05 05 by guest based the working papers address three broad areas which are 1 influences on early sexual and fertility behavior 2 consequences of early sexual and fertility behavior and 3

teori pembelajaran apresiasi sastra menurut gordon - Oct 02 2022

web menurut yus rusyana teori pembelajaran apresiasi sastra menurut gordon sebelum menelusuri teori pembelajaran apresiasi sastra menurut gordon anda i untuk menjawab pertanyaan tersebut lebih dahulu kita pahami pengertian apresiasi sastra menurut teori teori dasar sastra pembelajaran apresiasi sastra

teori pembelajaran apresiasi sastra menurut - Jan 05 2023

web teori pembelajaran apresiasi sastra menurut moody sebelum kita sampai pada pembicaraan mengenai teori pembelajaran apresiasi sastra menurut moody ada baiknya anda terlebih dahulu mengetahui prinsip ganda karya sastra menurut moody 1971 karya sastra memiliki prinsip ganda sebagai berikut pertama sastra

teori pembelajaran apresiasi sastra menurut gordon - Feb 06 2023

web teori pembelajaran apresiasi sastra menurut gordon april 16th 2018 tweet teori pembelajaran apresiasi sastra menurut gordon view more documents from iepank iep pengertian apresiasi sastra fajriyahmy blogspot com may 1st 2018 menurut s effendi apresiasi sastra adalah kegiatan menggauli karya sastra secara jika dikaitkan

teori pembelajaran apresiasi sastra menurut gordon - Mar 27 2022

web teori pembelajaran apresiasi sastra menurut gordon teori intertekstual dalam apresiasi puisi bangga april 29th 2018 menurut teori interteks itulah salah satu aspek yang mendasari pertimbangan penulis untuk memilih intertekstual sebagai teori sastra yang desain pembelajaran pengertian tingkatan dan manfaat apresiasi sastra anak

teori pembelajaran apresiasi sastra menurut gordon - Feb 23 2022

web 1 di sebuah kelas pembelajaran apresiasi sastra para siswa sedang menghafal satu puisi tertentu mereka sibuk menghafal puisi tersebut tanpa pembicaraan diskusi mengenai apa makna puisi itu 2 para siswa diminta membaca sinopsis novel tanpa diminta membaca novel yang sesungguhnya secara utuh 3

teori pembelajaran apresiasi sastra menurut gordon book - Mar 07 2023

web teori pembelajaran apresiasi sastra menurut gordon sastra dalam wawasan dunia kristen dan digital jan 31 2021 buku ini merupakan penggambaran bahwa sastra sangat layak diperbincangkan di dalam sebuah wawasan dunia kristen dan di dalam dunia digital sastra di dalam realitasnya tidak terpisahkan dengan

teori pembelajaran apresiasi sastra menurut gordon pdf scribd - May 09 2023

web teori pembelajaran apresiasi sastra menurut gordon teori pembelajaran apresiasi sastra menurut gordon teori pembelajaran ini sangat mengutamakan upaya pembangkitan kreativitas siswa guru hanya berperan sebagai fasilitator teori ini paling tidak memiliki dua langkah dasar

teori pembelajaran apresiasi sastra menurut gordon - Jun 29 2022

web oct 8 2023 teori pembelajaran apresiasi sastra menurut gordon we settle for teori pembelajaran apresiasi sastra menurut gordon and countless books selections from fictions to scientific researchh in any way

teori pembelajaran apresiasi sastra menurut gordon - May 29 2022

web sastra menurut gordon maybe you have knowledge that people have see numerous period for their favorite books in the manner of this teori pembelajaran apresiasi sastra menurut gordon but end taking place in harmful downloads

teori pembelajaran apresiasi sastra menurut gordon ftp bonide - Apr 27 2022

web teori pembelajaran apresiasi sastra menurut gordon 3 3 pembelajaran dikaitkan dengan materi pembelajaran hal tersebut mutlak membutuhkan aneka media dan sumber belajar yang relevan serta pengembangannya khususnya dalam setting persekolahan dengan demikian ruang lingkup buku ini meliputi konsep pemerolehan dan

teori pembelajaran apresiasi sastra menurut gordon - Dec 04 2022

web teori pembelajaran apresiasi menurut schuman teori pembelajaran apresiasi sastra menurut schuman dalam pengajaran pembelajaran apresiasi sastra menurut gordon khususnya untuk pengembangan pembelajaran apresiasi sastra di nilai yang bterkandung dalam karya sastra itu sementara menurut teori teori

teori pembelajaran apresiasi sastra menurut gordon - Sep 13 2023

web menurut gordon sebelum menelusuri teori pembelajaran apresiasi sastra menurut gordon anda ikuti terlebih dahulu ilustrasi berikut di sebuah kelas pembelajaran apresiasi sastra para siswa sedang menghafal satu puisi tertentu mereka sibuk menghafal puisi tersebut tanpa pembicaraan diskusi mengenai apa makna puisi itu

teori pembelajaran apresiasi sastra menurut gordon - Jan 25 2022

web teori pembelajaran apresiasi sastra menurut gordon teori pembelajaran apresiasi sastra menurut gordon pengertian tingkatan dan manfaat apresiasi sastra anak pengaruh persepsi tentang pembelajaran sastra terhadap apresiasi sastra wikipedia bahasa indonesia teori pembelajaran apresiasi menurut schuman

teori pembelajaran apresiasi sastra menurut moody copy mail - Jul 31 2022

web teori pembelajaran apresiasi sastra menurut gordon author i ½i ½kzvrn jutds esy es2020 08 22 13 08 54 subject i ½i ½teori pembelajaran apresiasi sastra menurut gordon keywords teori pembelajaran apresiasi sastra menurut gordon paradigma baru pengajaran apresiasi sastra indonesia teori

teori pembelajaran apresiasi sastra menurut gordon - Sep 01 2022

web teori pembelajaran apresiasi sastra menurut gordon dan teori sastra dan 4 pembelajaran apresiasi sastra adalah pembelajaran tahap terakhir dari langkah langkah pembelajaran

teori pembelajaran apresiasi sastra menurut gordon pdf scribd - Jul 11 2023

web teori pembelajaran apresiasi sastra menurut gordon sebelum menelusuri teori pembelajaran apresiasi sastra menurut gordon anda ikuti terlebih dahulu ilustrasi berikut 1 di sebuah kelas pembelajaran apresiasi sastra para siswa sedang menghafal satu puisi tertentu