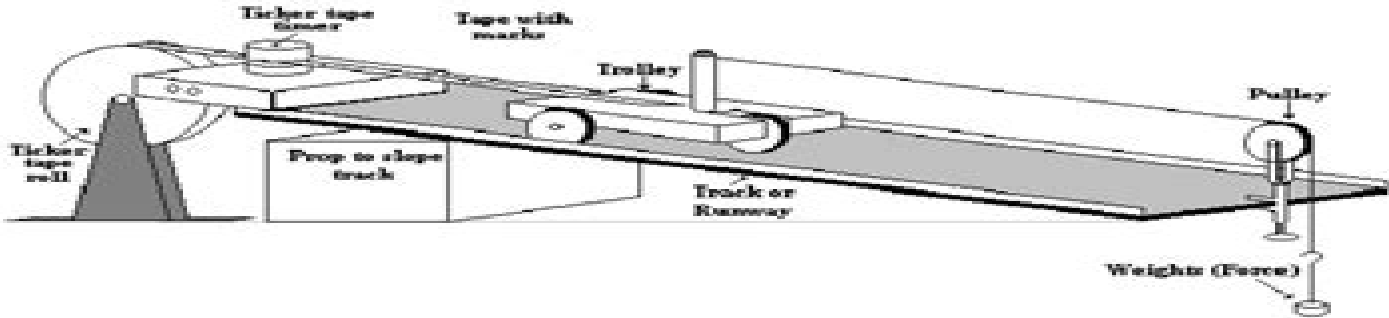


PHYSICAL SCIENCES GRADE 11
TERM 1: PHYSICS EXPERIMENT
KNOWLEDGE AREA: MECHANICS
VERIFICATION NEWTON'S SECOND LAW OF MOTION

	MARKING GUIDELINES
DATE	<i>February / March 2020</i>
SCHOOL	
DISTRICT	<i>Tshwane South D4</i>

NB: All diagrams, data and graphs are just examples. Mark according to the experiments as conducted by the learners at your school.

PART 1



Mark with rubric

[10]

Memo Physics Project Grade 1snells Law

Ying Liu



Memo Physics Project Grade 1snells Law:

This Captivating World of Kindle Books: A Thorough Guide Revealing the Benefits of Kindle Books: A World of Ease and Flexibility Kindle books, with their inherent portability and simplicity of access, have freed readers from the limitations of hardcopy books. Gone are the days of carrying bulky novels or carefully searching for particular titles in shops. E-book devices, stylish and portable, seamlessly store an extensive library of books, allowing readers to indulge in their preferred reads whenever, everywhere. Whether traveling on a bustling train, relaxing on a sun-kissed beach, or just cozying up in bed, Kindle books provide an exceptional level of convenience. A Reading World Unfolded: Discovering the Wide Array of E-book Memo Physics Project Grade 1snells Law Memo Physics Project Grade 1snells Law The E-book Store, a virtual treasure trove of literary gems, boasts an extensive collection of books spanning diverse genres, catering to every readers preference and preference. From gripping fiction and mind-stimulating non-fiction to classic classics and contemporary bestsellers, the Kindle Shop offers an unparalleled variety of titles to discover. Whether seeking escape through engrossing tales of imagination and exploration, delving into the depths of past narratives, or broadening ones understanding with insightful works of science and philosophy, the E-book Shop provides a doorway to a bookish universe brimming with limitless possibilities. A Game-changing Force in the Bookish Scene: The Persistent Influence of E-book Books Memo Physics Project Grade 1snells Law The advent of E-book books has unquestionably reshaped the literary scene, introducing a model shift in the way books are published, distributed, and read. Traditional publishing houses have embraced the digital revolution, adapting their approaches to accommodate the growing need for e-books. This has led to a rise in the availability of Kindle titles, ensuring that readers have access to a vast array of bookish works at their fingertips. Moreover, Kindle books have equalized entry to books, breaking down geographical limits and providing readers worldwide with equal opportunities to engage with the written word. Regardless of their place or socioeconomic background, individuals can now immerse themselves in the intriguing world of literature, fostering a global community of readers. Conclusion: Embracing the E-book Experience Memo Physics Project Grade 1snells Law Kindle books Memo Physics Project Grade 1snells Law, with their inherent ease, flexibility, and wide array of titles, have certainly transformed the way we encounter literature. They offer readers the liberty to explore the boundless realm of written expression, whenever, anywhere. As we continue to travel the ever-evolving digital scene, E-book books stand as testament to the enduring power of storytelling, ensuring that the joy of reading remains accessible to all.

https://staging.conocer.cide.edu/public/detail/index.jsp/edward_lear_landscapePainter_and_nonsensePoet_1812_1888.pdf

Table of Contents Memo Physics Project Grade 1snells Law

1. Understanding the eBook Memo Physics Project Grade 1snells Law
 - The Rise of Digital Reading Memo Physics Project Grade 1snells Law
 - Advantages of eBooks Over Traditional Books
2. Identifying Memo Physics Project Grade 1snells Law
 - Exploring Different Genres
 - Considering Fiction vs. Non-Fiction
 - Determining Your Reading Goals
3. Choosing the Right eBook Platform
 - Popular eBook Platforms
 - Features to Look for in an Memo Physics Project Grade 1snells Law
 - User-Friendly Interface
4. Exploring eBook Recommendations from Memo Physics Project Grade 1snells Law
 - Personalized Recommendations
 - Memo Physics Project Grade 1snells Law User Reviews and Ratings
 - Memo Physics Project Grade 1snells Law and Bestseller Lists
5. Accessing Memo Physics Project Grade 1snells Law Free and Paid eBooks
 - Memo Physics Project Grade 1snells Law Public Domain eBooks
 - Memo Physics Project Grade 1snells Law eBook Subscription Services
 - Memo Physics Project Grade 1snells Law Budget-Friendly Options
6. Navigating Memo Physics Project Grade 1snells Law eBook Formats
 - ePub, PDF, MOBI, and More
 - Memo Physics Project Grade 1snells Law Compatibility with Devices
 - Memo Physics Project Grade 1snells Law Enhanced eBook Features
7. Enhancing Your Reading Experience
 - Adjustable Fonts and Text Sizes of Memo Physics Project Grade 1snells Law
 - Highlighting and Note-Taking Memo Physics Project Grade 1snells Law
 - Interactive Elements Memo Physics Project Grade 1snells Law
8. Staying Engaged with Memo Physics Project Grade 1snells Law

- Joining Online Reading Communities
 - Participating in Virtual Book Clubs
 - Following Authors and Publishers Memo Physics Project Grade 1snells Law
9. Balancing eBooks and Physical Books Memo Physics Project Grade 1snells Law
- Benefits of a Digital Library
 - Creating a Diverse Reading Collection Memo Physics Project Grade 1snells Law
10. Overcoming Reading Challenges
- Dealing with Digital Eye Strain
 - Minimizing Distractions
 - Managing Screen Time
11. Cultivating a Reading Routine Memo Physics Project Grade 1snells Law
- Setting Reading Goals Memo Physics Project Grade 1snells Law
 - Carving Out Dedicated Reading Time
12. Sourcing Reliable Information of Memo Physics Project Grade 1snells Law
- Fact-Checking eBook Content of Memo Physics Project Grade 1snells Law
 - Distinguishing Credible Sources
13. Promoting Lifelong Learning
- Utilizing eBooks for Skill Development
 - Exploring Educational eBooks
14. Embracing eBook Trends
- Integration of Multimedia Elements
 - Interactive and Gamified eBooks

Memo Physics Project Grade 1snells Law Introduction

Free PDF Books and Manuals for Download: Unlocking Knowledge at Your Fingertips In todays fast-paced digital age, obtaining valuable knowledge has become easier than ever. Thanks to the internet, a vast array of books and manuals are now available for free download in PDF format. Whether you are a student, professional, or simply an avid reader, this treasure trove of downloadable resources offers a wealth of information, conveniently accessible anytime, anywhere. The advent of online libraries and platforms dedicated to sharing knowledge has revolutionized the way we consume information. No longer confined to physical libraries or bookstores, readers can now access an extensive collection of digital books and

manuals with just a few clicks. These resources, available in PDF, Microsoft Word, and PowerPoint formats, cater to a wide range of interests, including literature, technology, science, history, and much more. One notable platform where you can explore and download free Memo Physics Project Grade 1snells Law PDF books and manuals is the internet's largest free library. Hosted online, this catalog compiles a vast assortment of documents, making it a veritable goldmine of knowledge. With its easy-to-use website interface and customizable PDF generator, this platform offers a user-friendly experience, allowing individuals to effortlessly navigate and access the information they seek. The availability of free PDF books and manuals on this platform demonstrates its commitment to democratizing education and empowering individuals with the tools needed to succeed in their chosen fields. It allows anyone, regardless of their background or financial limitations, to expand their horizons and gain insights from experts in various disciplines. One of the most significant advantages of downloading PDF books and manuals lies in their portability. Unlike physical copies, digital books can be stored and carried on a single device, such as a tablet or smartphone, saving valuable space and weight. This convenience makes it possible for readers to have their entire library at their fingertips, whether they are commuting, traveling, or simply enjoying a lazy afternoon at home. Additionally, digital files are easily searchable, enabling readers to locate specific information within seconds. With a few keystrokes, users can search for keywords, topics, or phrases, making research and finding relevant information a breeze. This efficiency saves time and effort, streamlining the learning process and allowing individuals to focus on extracting the information they need. Furthermore, the availability of free PDF books and manuals fosters a culture of continuous learning. By removing financial barriers, more people can access educational resources and pursue lifelong learning, contributing to personal growth and professional development. This democratization of knowledge promotes intellectual curiosity and empowers individuals to become lifelong learners, promoting progress and innovation in various fields. It is worth noting that while accessing free Memo Physics Project Grade 1snells Law PDF books and manuals is convenient and cost-effective, it is vital to respect copyright laws and intellectual property rights. Platforms offering free downloads often operate within legal boundaries, ensuring that the materials they provide are either in the public domain or authorized for distribution. By adhering to copyright laws, users can enjoy the benefits of free access to knowledge while supporting the authors and publishers who make these resources available. In conclusion, the availability of Memo Physics Project Grade 1snells Law free PDF books and manuals for download has revolutionized the way we access and consume knowledge. With just a few clicks, individuals can explore a vast collection of resources across different disciplines, all free of charge. This accessibility empowers individuals to become lifelong learners, contributing to personal growth, professional development, and the advancement of society as a whole. So why not unlock a world of knowledge today? Start exploring the vast sea of free PDF books and manuals waiting to be discovered right at your fingertips.

FAQs About Memo Physics Project Grade 1snells Law Books

How do I know which eBook platform is the best for me? Finding the best eBook platform depends on your reading preferences and device compatibility. Research different platforms, read user reviews, and explore their features before making a choice. Are free eBooks of good quality? Yes, many reputable platforms offer high-quality free eBooks, including classics and public domain works. However, make sure to verify the source to ensure the eBook credibility. Can I read eBooks without an eReader? Absolutely! Most eBook platforms offer webbased readers or mobile apps that allow you to read eBooks on your computer, tablet, or smartphone. How do I avoid digital eye strain while reading eBooks? To prevent digital eye strain, take regular breaks, adjust the font size and background color, and ensure proper lighting while reading eBooks. What the advantage of interactive eBooks? Interactive eBooks incorporate multimedia elements, quizzes, and activities, enhancing the reader engagement and providing a more immersive learning experience. Memo Physics Project Grade 1snells Law is one of the best book in our library for free trial. We provide copy of Memo Physics Project Grade 1snells Law in digital format, so the resources that you find are reliable. There are also many Ebooks of related with Memo Physics Project Grade 1snells Law. Where to download Memo Physics Project Grade 1snells Law online for free? Are you looking for Memo Physics Project Grade 1snells Law PDF? This is definitely going to save you time and cash in something you should think about. If you trying to find then search around for online. Without a doubt there are numerous these available and many of them have the freedom. However without doubt you receive whatever you purchase. An alternate way to get ideas is always to check another Memo Physics Project Grade 1snells Law. This method for see exactly what may be included and adopt these ideas to your book. This site will almost certainly help you save time and effort, money and stress. If you are looking for free books then you really should consider finding to assist you try this. Several of Memo Physics Project Grade 1snells Law are for sale to free while some are payable. If you arent sure if the books you would like to download works with for usage along with your computer, it is possible to download free trials. The free guides make it easy for someone to free access online library for download books to your device. You can get free download on free trial for lots of books categories. Our library is the biggest of these that have literally hundreds of thousands of different products categories represented. You will also see that there are specific sites catered to different product types or categories, brands or niches related with Memo Physics Project Grade 1snells Law. So depending on what exactly you are searching, you will be able to choose e books to suit your own need. Need to access completely for Campbell Biology Seventh Edition book? Access Ebook without any digging. And by having access to our ebook online or by storing it on your computer, you have convenient answers with Memo Physics Project Grade 1snells Law To get started finding Memo Physics Project Grade 1snells Law, you are right to find our website which has a comprehensive collection of books online. Our library is the biggest of these that have literally hundreds of thousands of different products represented. You will also see that there are specific sites catered to different categories or niches

related with Memo Physics Project Grade 1snells Law So depending on what exactly you are searching, you will be able to choose ebook to suit your own need. Thank you for reading Memo Physics Project Grade 1snells Law. Maybe you have knowledge that, people have search numerous times for their favorite readings like this Memo Physics Project Grade 1snells Law, but end up in harmful downloads. Rather than reading a good book with a cup of coffee in the afternoon, instead they juggled with some harmful bugs inside their laptop. Memo Physics Project Grade 1snells Law is available in our book collection an online access to it is set as public so you can download it instantly. Our digital library spans in multiple locations, allowing you to get the most less latency time to download any of our books like this one. Merely said, Memo Physics Project Grade 1snells Law is universally compatible with any devices to read.

Find Memo Physics Project Grade 1snells Law :

edward lear landscape painter and nonsense poet 1812-1888

edwards dream the philosophy of a humorist.

~~efficient accounting and record-keeping the small business profit program~~

~~effects of radiation on materials 17th international symposium~~

~~edward prince of wales and aquitaine a biography of the black prince~~

eighth day of creation gifts and creativity

~~edward cullinan architects~~

egypt la mort de philae

effective training for civil engineers

eighteenth century houses of williamsburg

effective learning and teaching of writing

eight enormous elephants

effective english for colleges

~~ein haus in irland~~

eiger direct 1st edition signed

Memo Physics Project Grade 1snells Law :

maskerade discworld novel 18 a book by terry pratchett - Apr 28 2022

web maskerade discworld novel 18 snatcher

maskerade discworld novel 18 discworld series - Dec 05 2022

web terry pratchett maskerade discworld novel 18 discworld novels mass market paperback 1 november 1996 by terry pratchett author 4 851 ratings part of

maskerade discworld novel 18 discworld novels - Oct 15 2023

web apr 28 2022 buy maskerade discworld novel 18 discworld novels by terry pratchett isbn 9781804990179 from amazon s book store everyday low prices and

maskerade discworld novel 18 discworld series amazon co uk - Oct 03 2022

web may 27 2009 audiobook 0 00 free with your audible trial there s a kind of magic in masks masks conceal one face but they reveal another the one that only comes out in

maskerade discworld novel 18 snatcher - Mar 28 2022

web buy maskerade discworld novel 18 discworld novels abridged by terry pratchett isbn 9780552153249 from amazon s book store everyday low prices and free

maskerade discworld 18 witches 5 by terry - Jul 12 2023

web may 27 2009 maskerade discworld novel 18 discworld series kindle edition by pratchett terry download it once and read it on your kindle device pc phones or

maskerade discworld novel 18 pratchett terry - Mar 08 2023

web terry pratchett maskerade a discworld novel 18 mass market paperback 1 nov 1996 by terry pratchett author 4 025 ratings part of discworld 41 books kindle

maskerade discworld novel 18 discworld novels - Sep 14 2023

web buy maskerade discworld novel 18 discworld novels by pratchett sir terry from amazon s fiction books store everyday low prices on a huge range of new releases

read maskerade discworld 18 by terry pratchett online free - May 30 2022

web maskerade discworld novel 18 a book by terry pratchett 3 138 603 39 generated for local bookshops maskerade discworld novel 18 terry pratchett author format

maskerade discworld novel 18 discworld novels amazon in - Nov 04 2022

web may 27 2009 audiobook 0 00 free with your audible trial there s a kind of magic in masks masks conceal one face but they reveal another the one that only comes out in

maskerade discworld novel 18 pratchett terry - Jan 26 2022

web buy maskerade discworld novel 18 discworld novels abridged by terry pratchett isbn 9780552144261 from amazon s book store everyday low prices and free

[maskerade discworld novel 18 pratchett terry amazon sg](#) - May 10 2023

web hello sign in account lists returns orders cart

[maskerade discworld novel 18 terry pratchett google books](#) - Jan 06 2023

web terry pratchett maskerade discworld novel 18 discworld series kindle edition by terry pratchett author format kindle edition 4 7 5 130 ratings part of discworld 41

maskerade discworld novel 18 discworld novels audio cd - Feb 24 2022

web books literature fiction world literature buy new 17 70 rrp 22 99 save 5 29 23 free delivery on first order select delivery location only 2 left in stock

[maskerade discworld novel 18 discworld series](#) - Jun 11 2023

web hello select your address all

maskerade a discworld novel 18 mass market - Feb 07 2023

web the opera house ankh morpork a huge rambling building where innocent young sopranos are lured to their destiny by a strangely familiar evil mastermind in a hideously

[maskerade discworld novel 18 discworld novels](#) - Dec 25 2021

web national geographic books jun 28 2022 fiction 384 pages 46 reviews reviews aren t verified but google checks for and removes fake content when it s identified

[maskerade discworld novel 18 terry pratchett google books](#) - Aug 01 2022

web oct 13 2009 maskerade a discworld novel terry pratchett harper collins oct 13 2009 fiction 368 pages a master storyteller a s byatt the nineteenth

[maskerade a discworld novel terry pratchett google books](#) - Jun 30 2022

web maskerade discworld 18 is a fantasy novel by terry pratchett it is a discworld series novel enjoy reading on studynovels com all free novel genres romance billionaire

[maskerade discworld novel 18 terry pratchett google books](#) - Nov 23 2021

maskerade discworld novel 18 discworld series amazon ca - Sep 02 2022

web a master storyteller a s byatt funny delightfully inventive and refuses to lie down in its genre observermaskerade is the fifth book in the witches series but you can read the

[maskerade discworld novel 18 pratchett terry amazon sg](#) - Apr 09 2023

web jun 28 2022 maskerade discworld novel 18 paperback june 28 2022 by terry pratchett author 4 7 5 051 ratings part of discworld 41 books see all formats and

maskerade wikipedia - Aug 13 2023

maskerade is a fantasy novel by british writer terry pratchett the eighteenth book in the discworld series the witches granny weatherwax and nanny ogg visit the ankh morpork opera house to find agnes nitt a girl from lancre and get caught up in a story similar to the phantom of the opera

taming the star runner hinton s e free download borrow - Jan 02 2022

web an icon used to represent a menu that can be toggled by interacting with this icon

taming the star runner s e hinton google books - Apr 17 2023

web taming the star runner by s e hinton s e hinton s e hinton 1991 collins educational edition in english new ed

taming the star runner summary supersummary - Jul 08 2022

web read taming the star runner online free author s e hinton read free novels online

taming the star runner hinton s e free - Oct 23 2023

web english 181 p cm sent to live with his uncle after a violent confrontation with his stepfather sixteen year old travis an aspiring writer finds life in a small oklahoma town

taming the star runner 1989 edition open library - Jan 14 2023

web taming the star runner by s e hinton s e hinton s e hinton 1990 lions tracks edition in english

taming the star runner hinton s e free download borrow - Feb 03 2022

web 181 p 22 cm an icon used to represent a menu that can be toggled by interacting with this icon

taming the star runner wikipedia - Jul 20 2023

web taming the star runner by s e hinton 1988 10 delacorte press edition in english printing 1

taming the star runner kindle edition amazon com - Nov 12 2022

web add edition current edition taming the star runner s e hinton 181 pages isbn uid 9780440204794 format paperback language english publisher laurel leaf

taming the star runner 2013 readanybook - Sep 10 2022

web feb 18 2021 brand new book from the best selling author of the outsiders s e hinton s taming the star runner explores loneliness and the need to belong and the

taming the star runner 2014 edition open library - Apr 05 2022

web taming the star runner by s e hinton s e hinton s e hinton 2014 diversion publishing corp edition in english

taming the star runner amazon com - Aug 21 2023

taming the star runner 1988 is a young adult coming of age novel written by s e hinton author of the outsiders unlike her previous young adult novels this novel has not been made into a film

taming the star runner by s e hinton open library - May 18 2023

web taming the star runner laurel leaf books laurel leaf contemporary fiction author s e hinton edition reprint publisher dell 1989 isbn 0440204798 9780440204794

tamingthestarrunnerenglishedition sparknotes - May 06 2022

web taming the star runner by s e hinton 2014 random house children s books edition in english

taming the star runner 1988 10 edition open library - Jun 19 2023

web taming the star runner by s e hinton 1992 12 lion s tracks edition in english

taming the star runner by s e hinton open library - Mar 04 2022

web english 159 pages 20 cm travis finds life in the country pretty dull after new york but controlling his temper harder still a girl with a horse livens things up access restricted

taming the star runner by s e hinton open library - Mar 16 2023

web from the best selling author of the outsiders s e hinton s taming the star runner explores loneliness and the need to belong and the inevitability of change universal

read taming the star runner by s e hinton allfreenovel - Jun 07 2022

web taming the star runner s e hinton 2014 01 15 the classic ya story of a boy a horse and pursuit of a dream taming the star runner written by celebrated novelist

taming the star runner paperback the king s english bookshop - Feb 15 2023

web taming the star runner by s e hinton 1989 dell edition in english it looks like you re offline donate Čeština an edition of taming the star runner 1988 taming the

taming the star runner hinton s e free download borrow - Sep 22 2023

web aug 6 2013 from the best selling author of the outsiders s e hinton s taming the star runner explores loneliness and the need to belong and the inevitability of change

browse editions for taming the star runner the storygraph - Oct 11 2022

web read book taming the star runner online free by author s e hinton online reading taming the star runner and summary reviews he d known it wasn t a rejection slip

taming the star runner hinton s e free download borrow - Dec 01 2021

taming the star runner by s e hinton by baste cails medium - Aug 09 2022

web set in oklahoma the story centers on the cool but hot tempered teenager travis harris and the struggles he faces after relocating from the big city to his uncle s rural horse ranch

taming the star runner by s e hinton open library - Dec 13 2022

web jan 15 2014 an ala best book for young adults an ala quick pick with an absent mother and a domineering stepfather travis uses his tough guy exterior to hide his true

the little book of pin up driben ediz inglese francese e tedesca - Feb 14 2023

the little book of pin up driben ediz inglese francese e tedesca 0 dian hanson editore taschen anno 2015 lingua italiano rilegatura brossura ora i suoi numerosi fan possono avere più di 200 tra le sue opere dipinti originali e copertine pubblicate ripercorrendo la sua prolifica carriera grazie a un edizione leggera

the little book of pin up driben ediz inglese francese e tedesca - Dec 12 2022

il suo nome è meno conosciuto di quelli di vargas ed elvgren ma le sue voluttuose pin up dipinte in colori brillanti sono ben note dal 1944 al 1955 ha realizzato popolarissime copertine per r

the little book of pin up driben ediz inglese francese e tedesca - May 17 2023

acquista the little book of pin up driben ediz inglese francese e tedesca su libreria universitaria spedizione gratuita sopra i 25 euro su libreria universitaria

the little book of pin up driben ediz inglese francese e tedesca - Oct 10 2022

the little book of pin up driben ediz inglese francese e tedesca dian hanson 0 recensioni scrivi una recensione pronto per la spedizione in 5 giorni lavorativi usato 8 00 4 40 per saperne di pi ù compra usato paga con klarna in 3 rate

[pin up kızı ne demek pin up modasının tarihi hürriyet](#) - Feb 02 2022

jun 24 2020 son dakika haberleri pin up modası ve pin up kızı moda tutkunlarının aşına olduğu terimler pin up terimi ilk olarak İngilizce diline 1941 yılında girmiş olmasına rağmen terimin

the little book of pin up driben ediz inglese fra pdf - Jun 06 2022

2 the little book of pin up driben ediz inglese fra 2022 11 30 evan cardenas the little book of pride chronicle books celebrate the lgbq community with this small but perfectly formed guide to pride what began as a protest for gay rights following the stonewall riots of 1969 in new york has grown to become a global celebration of lgbtq

1000 pin up girls driben peter amazon it libri - Sep 09 2022

the great american pin up ediz italiana inglese e portoghese beaucoup de belles pin up à feuilleté pages après pages peinte par l artiste peter driben on y découvre tout son talent et on plonge dans l univers de la pin up livrée à la date prévue et livreur courtois satisfait

the little book of pin up vargas evripidis gr - Aug 08 2022

Αρχική BIBAIA books in English arts photography the little book of pin up vargas view large photo the little book of pin up vargas Εκδότης taschen isbn 9783836520201 alberto vargas took over esquire magazine s monthly pin up post in late 1940

by 1942 when the u s joined the war he had more than a million

the little book of pin up driben ediz inglese francese e tedesca - Jun 18 2023

the little book of pin up driben ediz inglese francese e tedesca è un libro di dian hanson pubblicato da taschen nella collana piccolo acquista su lafeltrinelli a 7 60

the little book of pin up driben ediz inglese fra pdf pdf pod - May 05 2022

the little book of pin up driben ediz inglese fra pdf pages 3 16 the little book of pin up driben ediz inglese fra pdf upload mia m murray 3 16 downloaded from pod kylemcdonald net on october 2 2023 by mia m murray bettie page olivia 2005 12 bettie page was one of the most popular pin ups of the 1950s she first appeared as a playmate in the

little book of pin up driben hanson dian libro taschen - Mar 15 2023

little book of pin up driben è un libro di hanson dian edito da taschen a novembre 2015 ean 9783836522953 puoi acquistarlo sul sito hoepli it la grande libreria online

the little book of pin up driben ediz inglese francese e - Jul 19 2023

the little book of pin up driben ediz inglese francese e tedesca a wink and a titter hanson dian amazon it libri

the little book of pin up elvgren ediz inglese francese e - Jul 07 2022

the little book of pin up elvgren ediz inglese francese e tedesca 0 dian hanson noto come gil nel corso della sua lunga carriera ha realizzato circa 700 dipinti a olio di pin up più di qualunque altro autore di immagini per calendari le sue opere divennero popolari per la prima volta tra le truppe impegnate nella seconda

the little book of pin up elvgren buds art books - Apr 04 2022

pin up adult the little book of pin up elvgren 10 00 almost gone recommended by dian hanson the king of pin up the best of gil elvgren in an affordable package with a delightful introduction by dian hanson which includes rare photos of the artist and his live models he created some 700 pin up oils during his long career more

the little book of pin up driben a wink and a titter - Jan 13 2023

the little book of pin up driben a wink and a titter su abebooks it isbn 10 3836522950 isbn 13 9783836522953 taschen america llc 2015 brossura

the little book of pin up driben ediz inglese francese e tedesca - Aug 20 2023

acquista online il libro the little book of pin up driben ediz inglese francese e tedesca di dian hanson in offerta a prezzi imbattibili su mondadori store

the little book of pin up driben ediz inglese francese e - Apr 16 2023

the little book of pin up driben ediz inglese francese e tedesca in libreria sinossi il suo nome è meno conosciuto di quelli di vargas ed elvgren ma le sue voluttuose pin up dipinte in colori brillanti sono ben note dal 1944 al 1955 ha realizzato

popolarissime copertine per riviste americane quali beauty parade wink titter

the little book of pin up driben ediz inglese francese e tedesca - Sep 21 2023

the little book of pin up driben ediz inglese francese e tedesca è un libro di dian hanson pubblicato da taschen nella collana piccolo acquista su ibs a 7 60

the little book of pin up driben ediz inglese fra download - Mar 03 2022

the little book of pin up driben ediz inglese fra downloaded from portal dlc ui edu ng by guest sage adrienne the little book of house plants and other greenery red wheel weiser a handy little title dedicated to a legend of pin up this book draws together 192 voluptuous images

the little book of pin up vargas the war years 1940 1946 ediz - Nov 11 2022

the little book of pin up vargas the war years 1940 1946 ediz francese inglese e tedesca 0 dian hanson editore taschen anno 2015 lingua italiano rilegatura brossura pagine 192 pagine isbn 13 9783836520201 trama alberto vargas assunse l incarico di realizzare le pin up per il mensile esquire verso la fine degli anni