

[Icons]

10

11

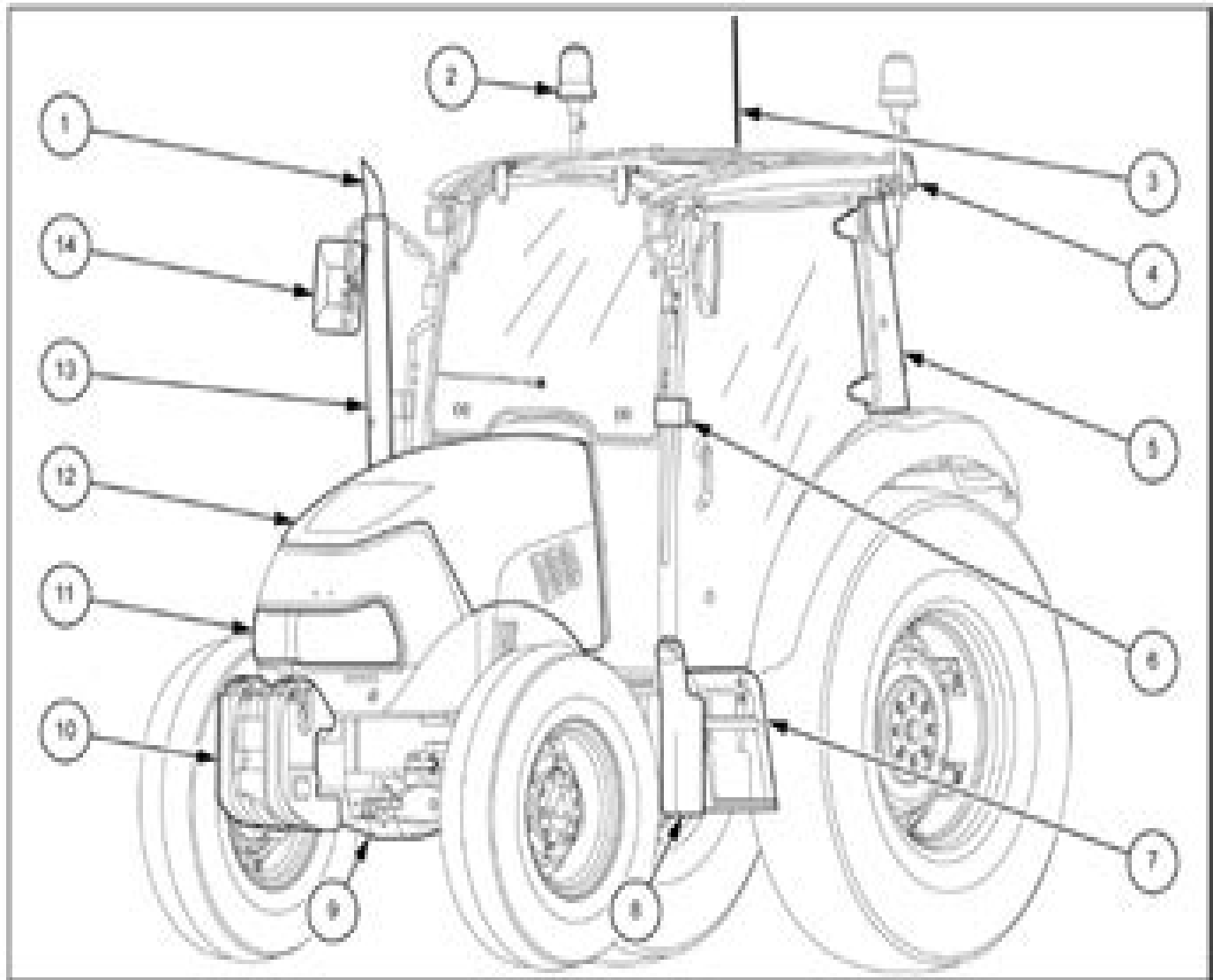
12

13

14

15

Component Identification



Farmall 95c Operators Manual

Mark Steyvers



Farmall 95c Operators Manual:

The Enigmatic Realm of **Farmall 95c Operators Manual**: Unleashing the Language is Inner Magic

In a fast-paced digital era where connections and knowledge intertwine, the enigmatic realm of language reveals its inherent magic. Its capacity to stir emotions, ignite contemplation, and catalyze profound transformations is nothing in short supply of extraordinary. Within the captivating pages of **Farmall 95c Operators Manual** a literary masterpiece penned by way of a renowned author, readers set about a transformative journey, unlocking the secrets and untapped potential embedded within each word. In this evaluation, we shall explore the book's core themes, assess its distinct writing style, and delve into its lasting impact on the hearts and minds of those that partake in its reading experience.

<https://staging.conocer.cide.edu/results/uploaded-files/index.jsp/Fatherhood%20A%20Sociological%20Perspective.pdf>

Table of Contents Farmall 95c Operators Manual

1. Understanding the eBook Farmall 95c Operators Manual
 - The Rise of Digital Reading Farmall 95c Operators Manual
 - Advantages of eBooks Over Traditional Books
2. Identifying Farmall 95c Operators Manual
 - Exploring Different Genres
 - Considering Fiction vs. Non-Fiction
 - Determining Your Reading Goals
3. Choosing the Right eBook Platform
 - Popular eBook Platforms
 - Features to Look for in an Farmall 95c Operators Manual
 - User-Friendly Interface
4. Exploring eBook Recommendations from Farmall 95c Operators Manual
 - Personalized Recommendations
 - Farmall 95c Operators Manual User Reviews and Ratings
 - Farmall 95c Operators Manual and Bestseller Lists

5. Accessing Farmall 95c Operators Manual Free and Paid eBooks
 - Farmall 95c Operators Manual Public Domain eBooks
 - Farmall 95c Operators Manual eBook Subscription Services
 - Farmall 95c Operators Manual Budget-Friendly Options
6. Navigating Farmall 95c Operators Manual eBook Formats
 - ePub, PDF, MOBI, and More
 - Farmall 95c Operators Manual Compatibility with Devices
 - Farmall 95c Operators Manual Enhanced eBook Features
7. Enhancing Your Reading Experience
 - Adjustable Fonts and Text Sizes of Farmall 95c Operators Manual
 - Highlighting and Note-Taking Farmall 95c Operators Manual
 - Interactive Elements Farmall 95c Operators Manual
8. Staying Engaged with Farmall 95c Operators Manual
 - Joining Online Reading Communities
 - Participating in Virtual Book Clubs
 - Following Authors and Publishers Farmall 95c Operators Manual
9. Balancing eBooks and Physical Books Farmall 95c Operators Manual
 - Benefits of a Digital Library
 - Creating a Diverse Reading Collection Farmall 95c Operators Manual
10. Overcoming Reading Challenges
 - Dealing with Digital Eye Strain
 - Minimizing Distractions
 - Managing Screen Time
11. Cultivating a Reading Routine Farmall 95c Operators Manual
 - Setting Reading Goals Farmall 95c Operators Manual
 - Carving Out Dedicated Reading Time
12. Sourcing Reliable Information of Farmall 95c Operators Manual
 - Fact-Checking eBook Content of Farmall 95c Operators Manual
 - Distinguishing Credible Sources
13. Promoting Lifelong Learning

- Utilizing eBooks for Skill Development
 - Exploring Educational eBooks
14. Embracing eBook Trends
- Integration of Multimedia Elements
 - Interactive and Gamified eBooks

Farmall 95c Operators Manual Introduction

Farmall 95c Operators Manual Offers over 60,000 free eBooks, including many classics that are in the public domain. Open Library: Provides access to over 1 million free eBooks, including classic literature and contemporary works. Farmall 95c Operators Manual Offers a vast collection of books, some of which are available for free as PDF downloads, particularly older books in the public domain. Farmall 95c Operators Manual : This website hosts a vast collection of scientific articles, books, and textbooks. While it operates in a legal gray area due to copyright issues, its a popular resource for finding various publications. Internet Archive for Farmall 95c Operators Manual : Has an extensive collection of digital content, including books, articles, videos, and more. It has a massive library of free downloadable books. Free-eBooks Farmall 95c Operators Manual Offers a diverse range of free eBooks across various genres. Farmall 95c Operators Manual Focuses mainly on educational books, textbooks, and business books. It offers free PDF downloads for educational purposes. Farmall 95c Operators Manual Provides a large selection of free eBooks in different genres, which are available for download in various formats, including PDF. Finding specific Farmall 95c Operators Manual, especially related to Farmall 95c Operators Manual, might be challenging as theyre often artistic creations rather than practical blueprints. However, you can explore the following steps to search for or create your own Online Searches: Look for websites, forums, or blogs dedicated to Farmall 95c Operators Manual, Sometimes enthusiasts share their designs or concepts in PDF format. Books and Magazines Some Farmall 95c Operators Manual books or magazines might include. Look for these in online stores or libraries. Remember that while Farmall 95c Operators Manual, sharing copyrighted material without permission is not legal. Always ensure youre either creating your own or obtaining them from legitimate sources that allow sharing and downloading. Library Check if your local library offers eBook lending services. Many libraries have digital catalogs where you can borrow Farmall 95c Operators Manual eBooks for free, including popular titles. Online Retailers: Websites like Amazon, Google Books, or Apple Books often sell eBooks. Sometimes, authors or publishers offer promotions or free periods for certain books. Authors Website Occasionally, authors provide excerpts or short stories for free on their websites. While this might not be the Farmall 95c Operators Manual full book , it can give you a taste of the authors writing style. Subscription Services Platforms like Kindle Unlimited or Scribd offer subscription-based access to a wide range of Farmall 95c Operators Manual eBooks, including

some popular titles.

FAQs About Farmall 95c Operators Manual Books

1. Where can I buy Farmall 95c Operators Manual books? Bookstores: Physical bookstores like Barnes & Noble, Waterstones, and independent local stores. Online Retailers: Amazon, Book Depository, and various online bookstores offer a wide range of books in physical and digital formats.
2. What are the different book formats available? Hardcover: Sturdy and durable, usually more expensive. Paperback: Cheaper, lighter, and more portable than hardcovers. E-books: Digital books available for e-readers like Kindle or software like Apple Books, Kindle, and Google Play Books.
3. How do I choose a Farmall 95c Operators Manual book to read? Genres: Consider the genre you enjoy (fiction, non-fiction, mystery, sci-fi, etc.). Recommendations: Ask friends, join book clubs, or explore online reviews and recommendations. Author: If you like a particular author, you might enjoy more of their work.
4. How do I take care of Farmall 95c Operators Manual books? Storage: Keep them away from direct sunlight and in a dry environment. Handling: Avoid folding pages, use bookmarks, and handle them with clean hands. Cleaning: Gently dust the covers and pages occasionally.
5. Can I borrow books without buying them? Public Libraries: Local libraries offer a wide range of books for borrowing. Book Swaps: Community book exchanges or online platforms where people exchange books.
6. How can I track my reading progress or manage my book collection? Book Tracking Apps: Goodreads, LibraryThing, and Book Catalogue are popular apps for tracking your reading progress and managing book collections. Spreadsheets: You can create your own spreadsheet to track books read, ratings, and other details.
7. What are Farmall 95c Operators Manual audiobooks, and where can I find them? Audiobooks: Audio recordings of books, perfect for listening while commuting or multitasking. Platforms: Audible, LibriVox, and Google Play Books offer a wide selection of audiobooks.
8. How do I support authors or the book industry? Buy Books: Purchase books from authors or independent bookstores. Reviews: Leave reviews on platforms like Goodreads or Amazon. Promotion: Share your favorite books on social media or recommend them to friends.
9. Are there book clubs or reading communities I can join? Local Clubs: Check for local book clubs in libraries or community centers. Online Communities: Platforms like Goodreads have virtual book clubs and discussion groups.

10. Can I read Farmall 95c Operators Manual books for free? Public Domain Books: Many classic books are available for free as they're in the public domain. Free E-books: Some websites offer free e-books legally, like Project Gutenberg or Open Library.

Find Farmall 95c Operators Manual :

fatherhood a sociological perspective

fatima prophecy days of darkness promise of light

father rhine tells his sagas

[fatima in twilight](#)

federal civil rules handbook 2006

feasts seasons fathers

~~favoured child~~

federal employees almanac 2002 federal employees almanac 2002

father goose the story of mack sennett

[feasts fasts famine food for thought](#)

~~fathers promise fabulous father silhouette romance no 1002~~

fatigue design

fear and loathing in haven

favourite recipes of famous men

favorite pieces for saxophone

Farmall 95c Operators Manual :

[schwarz rot gold abebooks](#) - Dec 07 2022

web schwarz rot gold german handbook german edition by paul webster and a great selection of related books art and collectibles available now at abebooks.com

reading the schwarz in the schwarz rot gold black german - Feb 26 2022

web jan 1 2016 request pdf on jan 1 2016 nancy p nenno published reading the schwarz in the schwarz rot gold black german studies in the 21st century find read and cite all the research you

schwarz rot gold german handbook paperback paul webster - Mar 30 2022

web aug 8 2023 find many great new used options and get the best deals for schwarz rot gold german handbook paperback paul webster at the best online prices at ebay free delivery for many products

schwarz rot gold german handbook german edition - Apr 11 2023

web click to read more about schwarz rot gold german handbook german edition by paul webster librarything is a cataloging and social networking site for booklovers all about schwarz rot gold german handbook german edition by paul webster

schwarz rot gold german handbook by webster paul - Mar 10 2023

web buy schwarz rot gold german handbook by webster paul online on amazon ae at best prices fast and free shipping free returns cash on delivery available on eligible purchase

schwarz rot gold german handbook by paul webster 1987 - Oct 05 2022

web find many great new used options and get the best deals for schwarz rot gold german handbook by paul webster 1987 trade paperback at the best online prices at ebay free shipping for many products

schwarz rot gold the german handbook archive org - Aug 15 2023

web 128 p 26 cm an icon used to represent a menu that can be toggled by interacting with this icon

schwarz rot gold revolution in deutschland einfach erklärt - Aug 03 2022

web im deutschen kaiserreich 1871 bis 1918 und zur zeit der nationalsozialistischen herrschaft 1933 bis 1945 war schwarz rot gold verschmäht offizielle staatsflagge bzw staatsfarben wurde schwarz rot gold in der weimarer republik 1919 bis 1933 und nach 1945 in der bundesrepublik deutschland und in der ddr

schwarz rot gold german handbook german edition - May 12 2023

web abebooks com schwarz rot gold german handbook german edition 9780521278829 by webster paul and a great selection of similar new used and collectible books available now at great prices schwarz rot gold german handbook german edition

webster paul 9780521278829 abebooks

grammar various schwarz rot gold german handbook german - Apr 30 2022

web schwarz rot gold german handbook subject german language english market adolescent adult level beginners

publication date january 1996 authors p webster binding paperback pages 128 size mm n a weight gms 290 esb code 10504 isbn 9780521648608 inspection copy no delivery out of stock expected on

schwarzrotgoldgermanhandbook services caferati - Jan 28 2022

web a practical reference and revision guide for all learners in the first years of german this book explains the workings of the german language from scratch german is notorious for generating complicated grammatical explanations

schwarz rot gold german handbook rent 9780521278829 - Nov 06 2022

web coupon rent schwarz rot gold german handbook 1st edition 9780521278829 and save up to 80 on textbook rentals and

90 on used textbooks get free 7 day instant etextbook access

schwarz rot gold german handbook betterworldbooks com - Jan 08 2023

web schwarz rot gold can be used in the two years leading up to gcse standard grade and other first examinations the course picks up from any introductory course extends and develops language skills and covers a wide variety of topics this book is ideal for students with little formal grammar knowledge and emphasises communication skills

paul webster librarything - Jul 02 2022

web this page covers the author of schwarz rot gold german handbook german edition for other authors named paul webster see the disambiguation page

schwarz rot gold german handbook by paul webster - Dec 27 2021

web may 18th 2020 only the tiny german principality of waldeck pyrmonnt upheld the tradition and continued to use the german colours called schwarz rot gold in german english black red gold that had originated within a german held state as early as 1778 these signs had remained symbols of the paulskirche movement

grammar various schwarz rot gold german handbook german - Jun 01 2022

web schwarz rot gold german handbook grammar various german 9780521648608 the european bookshop

schwarz rot gold german handbook paperback 1 jan 1987 - Feb 09 2023

web buy schwarz rot gold german handbook by paul webster isbn 9780521278829 from amazon s book store everyday low prices and free delivery on eligible orders

[schwarz rot gold german handbook by paul webster alibris](#) - Sep 04 2022

web buy schwarz rot gold german handbook by paul webster online at alibris we have new and used copies available in 1 editions starting at 3 49 shop now

[schwarz rot gold german handbook goodreads](#) - Jul 14 2023

web a practical reference and revision guide for all learners in the first years of german this book explains the workings of the german language from scratch german is notorious for generating complicated grammatical explanations but here the author has achieved remarkably straightforward explanations of the essentials seen from the learner s

schwarz rot gold german handbook german edition - Jun 13 2023

web mar 27 1987 amazon com schwarz rot gold german handbook german edition 9780521278829 webster paul books

[deutsch 4 klasse grundschulkönig](#) - Aug 13 2023

web 40 seitiges arbeitsheft zum thema blitzlesen für deutsch in der 3 4 klasse der grundschule als heft oder als pdf zum herunterladen 12 95 14 95 jetzt

deutsch 4 klasse materialguru - Mar 08 2023

web kostenlose quiz tests passend zu den lehrplänen der bundesländer 5725 fragen für 4 klasse deutsch teste dein wissen mit original prüfungsaufgaben lernspaß garantiert

deutsch klasse 4 grundschulmaterial de - Dec 05 2022

web diktate 4 klasse grundschule viele fehler bei der rechtschreibung bei uns finden sie kostenlose Übungsdiktate für die grundschule deutsch üben ist in jeder klasse

deutsch ist klasse 4e 2023 help environment harvard edu - Mar 28 2022

web deutsch ist klasse 4e livret du professeur by sollfrank où va l'exégèse du psautier bilan de six années d'études psalmiques 1995 2000 le psautier est un des livres de la bible

grammatik in der grundschule gemischte Übungen - Nov 23 2021

deutsch 4 klasse 5000 kostenlose Übungen bei schlaukopf de - Feb 07 2023

web der fachlehrplan deutsch gliedert sich in vier lernbereiche die mit den im kompetenzstrukturmodell dargestellten kompetenzbereichen identisch sind jeder

deutsch ist klasse philippe sollfrank amazon de bücher - Oct 15 2023

web deutsch ist klasse taschenbuch 1 juli 1994 französisch ausgabe philippe autor sollfrank autor 5 0 5 0 von 5 sternern alle formate und editionen anzeigen

deutsch ist klasse 4e livret du professeur by sollfrank - Feb 24 2022

web beschreibung für wen eignet sich dieser jahrgangsstufentest und was enthält er diese arbeitsblättersammlung enthält neun tests zum gesamten deutsch stoff in der 4

deutsch ist klasse 4e 9782040280277 amazon com books - Apr 09 2023

web ihr findet in diesem bereich kostenloses unterrichtsmaterial für den deutsch unterricht in der 4 klasse an der grundschule damit ihr gezielt nach themen suchen könnt haben

deutsch ist klasse 4e manuel by sollfrank - Aug 01 2022

web 2 deutsch ist klasse 4e 2022 02 24 wochenplan deutsch 3 4 erzählen texte schreiben penn state press abwechslungsreiche Übungen zum aufsatz training in der 4 klasse

deutsch ist klasse 4e ai classmonitor com - Jun 30 2022

web deutsch heute les langues modernes deutsch als fremd und zweitsprache 2 halbband a dictionary of the english and german languages deutsch lehren und lernen luzac

deutsch ist klasse 4e livret du professeur by deshusses - Jun 11 2023

web 407 klassenarbeiten und Übungsbblätter zu deutsch 4 klasse kostenlos als pdf datei

deutsch ist klasse pas cher achat neuf et occasion rakuten - Apr 28 2022

web deutsch ist klasse 4e right here we have countless book deutsch ist klasse 4e and collections to check out we additionally pay for variant types and with type of the books

deutsch ist klasse 4e seconde langue cahier d exe copy - May 30 2022

web achat deutsch ist klasse pas cher neuf et occasion promos et prix réduits imbattables en ligne cashback de 5 minimum sur votre commande

deutsch ist klasse 4e by deshusses orientation sutd edu sg - Sep 14 2023

web deutsch ist klasse 4e seconde langue guide pdagogique klasse 4d grundschule zerzabelshof la méthode comporte le livre de l élève 12 leçons composées d un

deutsch jahrgangsstufentest zum stoff der 4 klasse - Jan 26 2022

web 2 deutsch ist klasse 4e 2020 06 18 lernrätsel deutsch 4 klasse persen verlag die praxisorientierte anleitung zur portfolioarbeit im fach deutsch eigenverantwortliches

deutsch ist klasse 4e ws 1 ps2pdf com - Dec 25 2021

web deutsch 4 klasse grammatik gemischte Übungen arbeitsblätter mit Übungen und aufgaben mit gemischten Übungen zur grammatik für die 4 klasse der grundschule

deutsch 4 klasse grundschule klassenarbeiten de - May 10 2023

web deutsch ist klasse 4e on amazon com free shipping on qualifying offers deutsch ist klasse 4e

diktate 4 klasse kostenlos - Nov 04 2022

web deutsch ist klasse 4e livret du professeur by sollfrank emma schwabedissen slection livres bd emma april 18th 2020 kontakt 4e lv2 prof 98 livre du professeur edition

deutsch 4 klasse kostenlose arbeitsblätter - Jul 12 2023

web deutsch ist klasse 4e livret du professeur is useful because we could get information from the reading materials technology has developed and reading deutsch ist klasse

deutsch ist klasse 4e livret du professeur by sollfrank - Oct 03 2022

web 4 deutsch ist klasse 4e seconde langue cahier d exe 2022 02 21 muret sanders enzyklopädisches englisch deutsches und deutsch englisches wörterbuch deutsch

lehrplanplus grundschule 4 deutsch fachprofile - Jan 06 2023

web die ar beitsfläche ist zweigeteilt auf der linken seite befindet sich der originaltext auf der rechten seite ein block mit 5 aufgaben die bearbeitung dauert ca 20 25 minuten die

deutsch ist klasse 4e seconde langue cahier d exe copy - Sep 02 2022

web deutsch ist klasse 4e lv2 cd audio fr padlet est la solution la plus simple au monde pour crer achat manuel de francais 4eme pas cher ou d occasion rakuten bordas books

[easel back template for table display crafts pinterest](#) - Feb 12 2023

web dec 5 2014 frame easel template easel back template for table display dec 5 2014 frame easel template easel back template for table display explore save from pinterest com paper box template pinterest 5m followers paper box template card making templates card making tips diy easel diy photo frames

[how to assemble single and double wing self adhesive easel back](#) - Apr 02 2022

web feb 5 2020 how to assemble single and double wing self adhesive easel back for your art craft and diy project these easel backs are perfect for displaying everything from professional prints and art

[make your own easels free printables diy easel craft pinterest](#) - Oct 08 2022

web nov 2 2015 we ve got bunches of tiny easels that are inexpensive and easy to make these are for smaller items and work continue reading

[printable easel back template etsy](#) - Nov 09 2022

web check out our printable easel back template selection for the very best in unique or custom handmade pieces from our shops

[simple useful template for an easel back for cards photos](#) - Jun 16 2023

web jul 26 2016 simple useful template for an easel back for cards photos displays crafts

[diy easel back template diy](#) - Mar 01 2022

web easel template diy easel diy photo display easel the smaller easels dont need this diy easel back template dec 4 2014 free artist easel plans now you can make your own artist easel with these easy to follow plans with simple instructions

get the free printable easel back template pdf form pdffiller - Jul 05 2022

web start by downloading the printable easel back template from a reliable source online 02 open the template using a compatible software program such as adobe acrobat reader or microsoft word 03 review the instructions provided with the template if any to get a clear understanding of the required information 04

[easel back template etsy](#) - Jan 11 2023

web check out our easel back template selection for the very best in unique or custom handmade pieces from our templates shops

triple twisted easel card template craftworld - Jan 31 2022

web friday 8th october 2021 13 follow our quick and easy video tutorial to create kinetic projects using our exclusive craftworld template this is a super simple template which is easy to adapt to a wide range of cards and gives amazing impact

you will need your free printable template coloured cardstock a printer and paper scissors scoreboard

easel back template double wing vector with die cut laser cut - Apr 14 2023

web download easel back template double wing vector with die cut laser cut lines set of two different designs white clear blank isolated easel back mock up on white background with perspective view stock vector and explore similar vectors at adobe stock

printable easel template - Dec 10 2022

web patterns easel pattern get all 1 475 patterns every pattern on our site is available in a convenient bundle starting at only 19 99 the bundle includes pdf and transparent png 300 dpi versions of every pattern we also offer an option at 49 99 for commercial use that includes svg files

easel back template for table display crafts pinterest - Mar 13 2023

web paper box template card making templates card making tips diy easel diy photo frames baby shower flowers shaped cards silent auction silhouette cameo projects comments dec 5 2014 frame easel template

pin by seasonably cute on 3 templates pinterest diy easel diy - Sep 07 2022

web diy photo display double wing easel template simple useful template for an easel back for cards photos pinterest 5m followers diy photo display photo displays greeting card display stand paper projects paper crafts

easel backs template double wing vector with die cut laser - May 15 2023

web easel backs template double wing vector with die cut laser cut lines set of two different designs of easel backs illustrations white clear blank isolated easel backs on white background with perspective view 3d presentation

die cut templates free dielines - Aug 18 2023

web easel back lets you stylishly and conveniently display posters to get maximum customer visibility it s also called cardboard easel or double wing easel easel back is used in various display and promotion applications made of photoblock cardboard and forex

diy card making the best way to make paper easels youtube - May 03 2022

web may 31 2019 here is a very useful and super easy tutorial to hold all your cards upright after spending time making beautiful cards it is now time to highlight them wit

easel stand vectors illustrations for free download freepik - Jun 04 2022

web you can find download the most popular easel stand vectors on freepik remember that these high quality images are free for commercial use freepik is made for creative people like you

easel back template for table display crafts pinterest - Jul 17 2023

web dec 5 2014 frame easel template easel back template for table display explore diy and crafts visit save from pinterest

com paper box template frame easel template easel back template for table display pinterest 5m followers paper box
template card making templates card making tips diy easel diy photo frames

make your own easels free printables craft your happiness - Sep 19 2023

web sep 1 2014 the smaller easels don t need this soda bottle easel for this one all you need is a soda bottle and an x acto
knife i used a 32 oz bottle remove the label and cut as shown candy cane easels hot glue three small candy canes together
the back leg can be a little higher if desired to give it a slant spray with some sealer then spray

paper easel template etsy - Aug 06 2022

web check out our paper easel template selection for the very best in unique or custom handmade pieces from our clip art
image files shops