

Mitsubishi RVR 2020-2024 Workshop Manual

▶▶A◀◀ TIMING CHAIN / TIMING CHAIN GUIDE / TENSIONER LEVER INSTALLATION



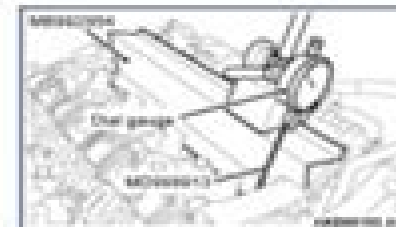
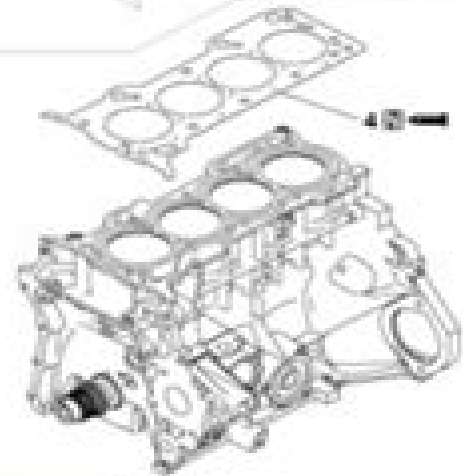
1. Align the timing mark of the rocker arm with the timing mark (notch) of the V.V.T. sprocket.
2. Align the crankshaft sprocket with the indicated positions.



1. Align the timing mark of the crankshaft sprocket with the link pin (blue) to loop the timing chain.



Apply engine oil to all moving parts before installation.



1. Install the special tool magnet base plate (M1992054) to the upper face of the cylinder head at the inlet side.

Workshopmanuals.org

Mitsubishi Rvr Engine Manual

M Mark



Mitsubishi Rvr Engine Manual:

The Enigmatic Realm of **Mitsubishi Rvr Engine Manual**: Unleashing the Language is Inner Magic

In a fast-paced digital era where connections and knowledge intertwine, the enigmatic realm of language reveals its inherent magic. Its capacity to stir emotions, ignite contemplation, and catalyze profound transformations is nothing in short supply of extraordinary. Within the captivating pages of **Mitsubishi Rvr Engine Manual** a literary masterpiece penned by way of a renowned author, readers attempt a transformative journey, unlocking the secrets and untapped potential embedded within each word. In this evaluation, we shall explore the book's core themes, assess its distinct writing style, and delve into its lasting affect the hearts and minds of people who partake in its reading experience.

https://staging.conocer.cide.edu/About/detail/default.aspx/Grade_Exam_Cap_2014_History_Final_November.pdf

Table of Contents Mitsubishi Rvr Engine Manual

1. Understanding the eBook Mitsubishi Rvr Engine Manual
 - The Rise of Digital Reading Mitsubishi Rvr Engine Manual
 - Advantages of eBooks Over Traditional Books
2. Identifying Mitsubishi Rvr Engine Manual
 - Exploring Different Genres
 - Considering Fiction vs. Non-Fiction
 - Determining Your Reading Goals
3. Choosing the Right eBook Platform
 - Popular eBook Platforms
 - Features to Look for in an Mitsubishi Rvr Engine Manual
 - User-Friendly Interface
4. Exploring eBook Recommendations from Mitsubishi Rvr Engine Manual
 - Personalized Recommendations
 - Mitsubishi Rvr Engine Manual User Reviews and Ratings
 - Mitsubishi Rvr Engine Manual and Bestseller Lists

5. Accessing Mitsubishi Rvr Engine Manual Free and Paid eBooks
 - Mitsubishi Rvr Engine Manual Public Domain eBooks
 - Mitsubishi Rvr Engine Manual eBook Subscription Services
 - Mitsubishi Rvr Engine Manual Budget-Friendly Options
6. Navigating Mitsubishi Rvr Engine Manual eBook Formats
 - ePub, PDF, MOBI, and More
 - Mitsubishi Rvr Engine Manual Compatibility with Devices
 - Mitsubishi Rvr Engine Manual Enhanced eBook Features
7. Enhancing Your Reading Experience
 - Adjustable Fonts and Text Sizes of Mitsubishi Rvr Engine Manual
 - Highlighting and Note-Taking Mitsubishi Rvr Engine Manual
 - Interactive Elements Mitsubishi Rvr Engine Manual
8. Staying Engaged with Mitsubishi Rvr Engine Manual
 - Joining Online Reading Communities
 - Participating in Virtual Book Clubs
 - Following Authors and Publishers Mitsubishi Rvr Engine Manual
9. Balancing eBooks and Physical Books Mitsubishi Rvr Engine Manual
 - Benefits of a Digital Library
 - Creating a Diverse Reading Collection Mitsubishi Rvr Engine Manual
10. Overcoming Reading Challenges
 - Dealing with Digital Eye Strain
 - Minimizing Distractions
 - Managing Screen Time
11. Cultivating a Reading Routine Mitsubishi Rvr Engine Manual
 - Setting Reading Goals Mitsubishi Rvr Engine Manual
 - Carving Out Dedicated Reading Time
12. Sourcing Reliable Information of Mitsubishi Rvr Engine Manual
 - Fact-Checking eBook Content of Mitsubishi Rvr Engine Manual
 - Distinguishing Credible Sources
13. Promoting Lifelong Learning

- Utilizing eBooks for Skill Development
 - Exploring Educational eBooks
14. Embracing eBook Trends
- Integration of Multimedia Elements
 - Interactive and Gamified eBooks

Mitsubishi Rvr Engine Manual Introduction

In this digital age, the convenience of accessing information at our fingertips has become a necessity. Whether its research papers, eBooks, or user manuals, PDF files have become the preferred format for sharing and reading documents. However, the cost associated with purchasing PDF files can sometimes be a barrier for many individuals and organizations. Thankfully, there are numerous websites and platforms that allow users to download free PDF files legally. In this article, we will explore some of the best platforms to download free PDFs. One of the most popular platforms to download free PDF files is Project Gutenberg. This online library offers over 60,000 free eBooks that are in the public domain. From classic literature to historical documents, Project Gutenberg provides a wide range of PDF files that can be downloaded and enjoyed on various devices. The website is user-friendly and allows users to search for specific titles or browse through different categories. Another reliable platform for downloading Mitsubishi Rvr Engine Manual free PDF files is Open Library. With its vast collection of over 1 million eBooks, Open Library has something for every reader. The website offers a seamless experience by providing options to borrow or download PDF files. Users simply need to create a free account to access this treasure trove of knowledge. Open Library also allows users to contribute by uploading and sharing their own PDF files, making it a collaborative platform for book enthusiasts. For those interested in academic resources, there are websites dedicated to providing free PDFs of research papers and scientific articles. One such website is Academia.edu, which allows researchers and scholars to share their work with a global audience. Users can download PDF files of research papers, theses, and dissertations covering a wide range of subjects. Academia.edu also provides a platform for discussions and networking within the academic community. When it comes to downloading Mitsubishi Rvr Engine Manual free PDF files of magazines, brochures, and catalogs, Issuu is a popular choice. This digital publishing platform hosts a vast collection of publications from around the world. Users can search for specific titles or explore various categories and genres. Issuu offers a seamless reading experience with its user-friendly interface and allows users to download PDF files for offline reading. Apart from dedicated platforms, search engines also play a crucial role in finding free PDF files. Google, for instance, has an advanced search feature that allows users to filter results by file type. By specifying the file type as "PDF," users can find websites that offer free PDF downloads on a specific topic. While downloading Mitsubishi Rvr Engine Manual free PDF files is convenient,

its important to note that copyright laws must be respected. Always ensure that the PDF files you download are legally available for free. Many authors and publishers voluntarily provide free PDF versions of their work, but its essential to be cautious and verify the authenticity of the source before downloading Mitsubishi Rvr Engine Manual. In conclusion, the internet offers numerous platforms and websites that allow users to download free PDF files legally. Whether its classic literature, research papers, or magazines, there is something for everyone. The platforms mentioned in this article, such as Project Gutenberg, Open Library, Academia.edu, and Issuu, provide access to a vast collection of PDF files. However, users should always be cautious and verify the legality of the source before downloading Mitsubishi Rvr Engine Manual any PDF files. With these platforms, the world of PDF downloads is just a click away.

FAQs About Mitsubishi Rvr Engine Manual Books

How do I know which eBook platform is the best for me? Finding the best eBook platform depends on your reading preferences and device compatibility. Research different platforms, read user reviews, and explore their features before making a choice. Are free eBooks of good quality? Yes, many reputable platforms offer high-quality free eBooks, including classics and public domain works. However, make sure to verify the source to ensure the eBook credibility. Can I read eBooks without an eReader? Absolutely! Most eBook platforms offer webbased readers or mobile apps that allow you to read eBooks on your computer, tablet, or smartphone. How do I avoid digital eye strain while reading eBooks? To prevent digital eye strain, take regular breaks, adjust the font size and background color, and ensure proper lighting while reading eBooks. What the advantage of interactive eBooks? Interactive eBooks incorporate multimedia elements, quizzes, and activities, enhancing the reader engagement and providing a more immersive learning experience. Mitsubishi Rvr Engine Manual is one of the best book in our library for free trial. We provide copy of Mitsubishi Rvr Engine Manual in digital format, so the resources that you find are reliable. There are also many Ebooks of related with Mitsubishi Rvr Engine Manual. Where to download Mitsubishi Rvr Engine Manual online for free? Are you looking for Mitsubishi Rvr Engine Manual PDF? This is definitely going to save you time and cash in something you should think about. If you trying to find then search around for online. Without a doubt there are numerous these available and many of them have the freedom. However without doubt you receive whatever you purchase. An alternate way to get ideas is always to check another Mitsubishi Rvr Engine Manual. This method for see exactly what may be included and adopt these ideas to your book. This site will almost certainly help you save time and effort, money and stress. If you are looking for free books then you really should consider finding to assist you try this. Several of Mitsubishi Rvr Engine Manual are for sale to free while some are payable. If you arent sure if the books you would like to download works with for usage along with your computer, it is possible to download free trials. The free guides

make it easy for someone to free access online library for download books to your device. You can get free download on free trial for lots of books categories. Our library is the biggest of these that have literally hundreds of thousands of different products categories represented. You will also see that there are specific sites catered to different product types or categories, brands or niches related with Mitsubishi Rvr Engine Manual. So depending on what exactly you are searching, you will be able to choose e books to suit your own need. Need to access completely for Campbell Biology Seventh Edition book? Access Ebook without any digging. And by having access to our ebook online or by storing it on your computer, you have convenient answers with Mitsubishi Rvr Engine Manual To get started finding Mitsubishi Rvr Engine Manual, you are right to find our website which has a comprehensive collection of books online. Our library is the biggest of these that have literally hundreds of thousands of different products represented. You will also see that there are specific sites catered to different categories or niches related with Mitsubishi Rvr Engine Manual So depending on what exactly you are searching, you will be able to choose ebook to suit your own need. Thank you for reading Mitsubishi Rvr Engine Manual. Maybe you have knowledge that, people have search numerous times for their favorite readings like this Mitsubishi Rvr Engine Manual, but end up in harmful downloads. Rather than reading a good book with a cup of coffee in the afternoon, instead they juggled with some harmful bugs inside their laptop. Mitsubishi Rvr Engine Manual is available in our book collection an online access to it is set as public so you can download it instantly. Our digital library spans in multiple locations, allowing you to get the most less latency time to download any of our books like this one. Merely said, Mitsubishi Rvr Engine Manual is universally compatible with any devices to read.

Find Mitsubishi Rvr Engine Manual :

[grade exam cap 2014 history final november](#)

[grade 8 economic and management sciences](#)

[grade 9 ems end of year exemplar of 2014](#)

[grade 7 mapeh module teachers guide](#)

[grade boundary november 2013 gcse math edexcel](#)

[grade 9 ns exemplar end of year ana](#)

[grade english question papers 2013](#)

[grade boundaries edexcel a level 2013](#)

[grade geography exemplar 2013](#)

[grade paper 2 siswati](#)

[grade 9 igcse biology classified past papers](#)

grade 9 math academic workbook

grade exam papers

grade final exam 2014 business studies

grade 8 intermediate science test spring 2009 answers

Mitsubishi Rvr Engine Manual :

uncommon people the rise and fall of the rock stars - Apr 26 2022

web listen to uncommon people the rise and fall of the rock stars on spotify

uncommon people the rise and fall of the rock stars by david - Jun 28 2022

web that revelation came in handy while reading david hepbworth s zippily entertaining portrait of the men and women with flawed outsized personalities who he argues belong to a fallen age of rock

uncommon people the rise and fall of the rock stars 1955 - May 28 2022

web uncommon people the rise and fall of the rock stars 1955 1994 audio download david hepbworth david hepbworth random house audiobooks amazon com au books

uncommon people the rise and fall of the rock stars 1955 1994 - Dec 03 2022

web apr 5 2018 buy uncommon people the rise and fall of the rock stars 1955 1994 by hepbworth david isbn 9781784162078 from amazon s book store everyday low prices and free delivery on eligible orders uncommon people the rise and fall of the rock stars 1955 1994 amazon co uk hepbworth david 9781784162078 books

uncommon people the rise and fall of the rock stars book - Oct 01 2022

web may 17 2017 the most important thing about david hepbworth s marvellous new book uncommon people the rise and fall of the rock stars isn t the litany of often well worn stories it contains nor is

uncommon people the rise and fall of the rock stars 1955 1994 - Nov 02 2022

web uncommon people the rise and fall of the rock stars 1955 1994 kindle edition by david hepbworth author format kindle edition 797 ratings see all formats and editions kindle 14 99 read with our free app audiobook 0 00 free with your audible trial great on kindle great experience great value

uncommon people the rise and fall of by hepbworth david - Aug 31 2022

web uncommon people the rise and fall of the rock stars 1955 1994 hepbworth david on amazon com au free shipping on eligible orders to stay young forever no wonder many didn t stay the course in uncommon people david hepbworth zeroes in on defining moments and turning points in the lives of forty rock stars from 1955 to 1995

uncommon people the rise and fall of the rock stars by david hepbworth - Sep 12 2023

web may 15 2017 uncommon people the rise and fall of the rock stars by david hepworth review hepworth s lively study of rock s greatest stars from little richard to kurt cobain underlines how much the

uncommon people the rise and fall of the rock stars worldcat org - Jul 30 2022

web get this from a library uncommon people the rise and fall of the rock stars david hepworth matthew lloyd davies tantor media recklessness thy name is rock the age of the rock star like the age of the cowboy has passed like the cowboy the idea of the rock star lives on in our imaginations what did we see in them

uncommon people the rise and fall of the rock stars - Apr 07 2023

web machine generated contents note 14 september 1955 the first rock star 26 september 1956 the first rock idol 6 july 1957 the first rock fans start a group 22 may 1958 a bad boy flies in 3 february 1959 a good boy flies out 1 july 1960 enter the guitar hero 25 september 1961 a boy invents himself 28 september 1962

uncommon people the rise and fall of the rock stars - Jan 04 2023

web in uncommon people david hepworth zeroes in on defining moments and turning points in the lives of forty rock stars from 1955 to 1995 taking us on a journey to burst a hundred myths and create a hundred more

uncommon people the rise and fall of the rock stars - Feb 05 2023

web no wonder many didn t stay the course in uncommon people david hepworth zeroes in on defining moments and turning points in the lives of forty rock stars from 1955 to 1995 taking us on a

uncommon people the rise and fall of the rock stars - Feb 22 2022

web named one of the best music books of 2017 by the wall street journalan elegy to the age of the rock star featuring chuck berry elvis madonna bowie prince and more uncommon people whose lives were transformed by rock and who in turn shaped our culturerecklessness thy name is rock the age of the rock star like the age of the

uncommon people the rise and fall of the rock stars - Jul 10 2023

web nov 21 2017 named one of the best music books of 2017 by the wall street journal an elegy to the age of the rock star featuring chuck berry elvis madonna bowie prince and more uncommon people whose

uncommon people the rise and fall of the rock stars 1955 1994 goodreads - Oct 13 2023

web may 18 2017 uncommon people the rise and fall of the rock stars 1955 1994 by david hepworth is a 2018 transworld digital publication a nostalgic historical homage to the innovators artists writers performers and

uncommon people the rise and fall of the rock stars 1955 1994 - Mar 06 2023

web may 18 2017 buy uncommon people the rise and fall of the rock stars 1955 1994 by hepworth david isbn 9780593077627 from amazon s book store everyday low prices and free delivery on eligible orders

free uncommon people the rise and fall of the rock sta - Mar 26 2022

web uncommon people the rise and fall of the rock sta the rise and fall and rise of a man jan 29 2023 this book is the story of a boy growing up to be a man and the events that led him to make the career choice he did it is an account of the challenges he faced his successes and some of the devastating losses he suffered along the way

uncommon people the rise and fall of the rock stars by david - Jun 09 2023

web jun 22 2017 from the meeting of john and paul to the death of bowie this sharply observed book looks at key dates in the golden era of rock

uncommon people the rise and fall of the rock stars kindle edition - May 08 2023

web nov 21 2017 uncommon people the rise and fall of the rock stars kindle edition by david hepworth author format kindle edition see all formats and editions kindle 14 99 read with our free app

uncommon people the rise and fall of the rock stars - Aug 11 2023

web nov 21 2017 named one of the best music books of 2017 by the wall street journal an elegy to the age of the rock star featuring chuck berry elvis madonna bowie prince and more uncommon people whose lives were transformed by rock and who in turn shaped our culture recklessness thy name is rock

ulimaji bora wa bamia muungwana blog - Feb 15 2022

web nov 21 2018 namna bora ya kupanda zao la bamia kibiashara zaidi ni kuzingatia kanuni za kilimo bora na chenye tija upandaji ukuaji na hata uvunaji wa bamia ni lazima usimamiwe kwa ukaribu zaidi kwa ajili ya kuleta tija iliyokusudiwa ustawishaji zao hili hustawi katika mita 1000 kutoka usawa wa bahari na hushindwa kuvumilia hali ya baridi

kilimo cha bamia kangeta - May 01 2023

web kilimo cha bamia kilimo cha bamia bamia ni zao la jamii ya mbogamboga linalotambulika kitaalamu kama abelmoschus esculentus okra lenye asili ya afrika ya magharibi kwa sasa zao hili linalimwa katika nchi nyingi hasa sehemu za joto

kilimo bora cha bamia mkulima sua ac tz - Aug 04 2023

web mahitaji ya kiikolojia hali ya hewa na mwinuko bamia ni zao linalopendelea hali ya joto hivyo hustawi katika maeneo yenye hali joto kuanzia nyuzi joto za sentigredi 21 hadi 35 ustawi mzuri zaidi huonekana katika maeneo yenye joto la nyuzi za sentigredi 21 mpaka 30 hali joto zaidi ya nyuzi za sentigredi 42 huweza kusababisha kudondoka kwa maua

utangulizi wa kilimo bora cha korosho tanzania wauzaji - Apr 19 2022

web utangulizi wa kilimo bora cha korosho tanzania lenald minja september 27 2023 17402 views korosho ni mbegu inayokua kwenye mti wa mkorosho pia korosho yenyewe inakua pamoja na tunda linaloitwa bibo na mbegu huonekana nje kati ya mwaka 1560 na 1565 mti huu ulipelekwa hadi goa india na mabaharia wa ureno kutoka hapo ulienea

kilimo bora cha bamia tanzania wauzaji - Jun 02 2023

web muda wa kuandaa shamba la bamia liandaliwe mapema mwezi mmoja kabla ya kupanda ili kuruhusu magugu na mabaki

ya mazao kuoza vizuri kwa kilimo cha bamia kwa kutegemea mvua ni vyema maandalizi yaanze mapema kabla ya kuanza kwa mvua za masika inashauriwa kuanza maandalizi mapema mwezi januari

kilimo cha bamia fahamu kuhusu mbegu bora mazingira sahihi - Oct 26 2022

web nov 8 2015 1 baadhi ya maswali yaliyoulizwa na wadau kuhusu kilimo hiki mwenye kufahamu ufanisi wa hiki kilimo atujuze mambo yafuatayo 1 mbegu bora zinapatikana wapi 2 zinachukua muda gani kukomaa 3 masoko yake yako wapi 4 bei ya kuuza inakwendaje asanteni jahlex said habarini wakuu

jinsi ya kulima bamia jifunze kilimo cha bamia la mgongo youtube - Feb 27 2023

web jan 13 2021 jifunze namna unavyoweza kulima bamia likakupa faida bamia ni zao la mboga lakini pia linaweza kua tiba ni kati ya mazao yanayoliwa sana na kupendwa sana kwasasa hivyo basi kupitia ukurasa

utangulizi wa kilimo cha bamia wauzaji - Aug 24 2022

web kilimo cha bamia kwa tanzania ni kilimo maarufu sana kwasababu bamia ni zao linalolimwa sana nchi za joto na zao la bamia hutumika kama mboga matumizi ya bamia bamia hupikwa pamoja na nyama samaki au mboga nyingine jinsi ya kupanda bamia

kilimo cha bamia mkoani unguja youtube - Sep 24 2022

web usisahau kutufuatilia katika mitandao yetu subscribe to our youtube channel bit ly itvtanzaniafacebook bit ly 2keqnl3twitter htt

kilimo bora cha bamia sehemu ya kwanza 01 muungwana blog - Mar 19 2022

web aug 26 2019 kilimo bora cha bamia sehemu ya kwanza 01 muungwana blog 2 8 26 2019 10 30 00 pm bamia ni zao la mbogamboga linalotambulika kitaalamu kama abelmoschus esculentus lenye asili ya ethiopia na afrika ya magharibi kwa sasa zao hili linalimwa katika nchi nyingi hasa sehemu za joto

kilimo bora cha bamia ogra mabusi h m agricultural - Jul 03 2023

web namna bora ya kupanda zao la bamia kibiashara zaidi ni kuzingatia kanuni za kilimo bora na chenye tija upandaji ukuaji na hata uvunaji wa bamia ni lazima usimamiwe kwa ukaribu zaidi kwa ajili ya kuleta tija iliyokusudiwa ustawishaji zao hili hustawi katika mita 1000 kutoka usawa wa bahari na hushindwa kuvumilia hali ya baridi kali

kilimo bora cha bamia okra tanzania na kilimo - Mar 31 2023

web apr 19 2017 utangulizi bamia ni moja ya zao la mbogamboga ambayo asili yake ni hapa hapa africa na nchini ethiopia ambapo kwa sasa linalimwa katika nchi nyingine nyingi bamia ni moja kati ya mazao ambayo yanafaida sana ndani ya mwili wa binadamu usaidia kusafisha utumbo mpana

jinsi ya kulima bamia kitaalamu inavyotakiwa ili kupata mazao mengi - Dec 28 2022

web kilimo cha bamia bamia ni zao linalolimwa sana nchi za joto zipo aina nyingi za bamia aina zile za kiasili nazo

hutofautiana kulingana na eneo moja na lingine bamia huliwa kama matunda au hupikwa kama mboga pamoja na nyama samaki au mboga nyingine jinsi ya kupanda bamia mambo muhimu ya kuzingatia katika kilimo cha bamia

[kilimo cha bamia kisasa okra shamba darasa kibaha youtube](#) - Jun 21 2022

web 255717274387kangetakilimo co tzk

kilimo cha bamia muungwana blog - Nov 26 2022

web mar 10 2016 kilimo cha bamia popo 3 10 2016 10 30 00 pm bamia asili ya mboga hii ni afrika ya kati na ya mashariki lakini kwa sasa zao hili limekwisha enea katika sehemu nyingi za kitropiki kama visiwa vya caribbean malaysia na philipines urefu wa mmea huwa kati ya meta moja na mbili

kilimo cha bamia muongozo wa mafanikio mogriculture tz - Oct 06 2023

web mar 18 2023 kwenye mwongozo huu tutadurusu vipengele muhimu vya kilimo cha bamia nchini tanzania ikijumuisha maandalizi ya shamba jinsi ya kupanda mahitaji ya udongo mahitaji ya mbolea udhibiti wa wadudu na magonjwa na mbinu za kuvuna

kilimo bora cha bamia kilimo na ufugaji - May 21 2022

web bamia hustawi vizuri katika maeneo 1000 mita kutoka usawa wa bahari kuandaa shamba kama mazao mengine shamba la bamia linatakiwa kusafishwa vizuri na pia unaweza kuweka mbolea ya asili kama vile mboji samadi na mbolea ya kuku upandaji bamia ni moja kati ya mazao rahisi sana kuhudumia kama mtu ukiwa makini

kanuni na teknolojia bora za uzalishaji na usimamizi wa zao la kilimo - Sep 05 2023

web kutoka wizara ya kilimo makao makuu fahmia amiri selemani kutoka chuo cha mafunzo ya kilimo cha mboga matunda na maua horti tengeru hussein issa issaka na athumani almasi mpanda kutoka wizara ya tawala za mikoa na serikali za mitaa tamisemi katika idara ya kilimo ya halmashauri ya

masomo ya kilimo mogriculture tz - Jul 23 2022

web mar 22 2023 jifunze zaidi kuhusu kilimo bora na mazao ya kilimo kupitia blog yetu ya kilimo tunakuletea machapisho bora zaidi kutoka kwa wataalamu wetu wa kilimo

mboga mboga na matunda mogriculture tz - Jan 29 2023

web kilimo cha bamia muongozo wa mafanikio bamia ni zao la mbogamboga linalotambulika kitaalamu kama abelmoschus esculentus lenye asili ya ethiopia read more mazao ya mizizi mboga mboga na matunda jinsi ya kufanya kilimo bora cha karoti karoti ni nini karoti kwa jina la kisayansi inajulikana kama daucus carota

kholofelo rolls in this little princess of limpopo review - May 13 2023

web mar 15 2016 kholofelo lekganyane miss limpopo 2014 is from mankweng and says she loves to spend time and share ideas with needy children in limpopo march 15 2016 desmond boshego 1 minute read miss limpopo 2014 kholofelo

lekganyane says she loves her hyundai i20 and has given it a special name

home miss limpopoprovince - Aug 16 2023

web miss limpopo province is a new organisation aimed at giving girls and women an affordable fair and glamorous experience through a variety of well organised activities photo shoots influencer opportunities and uplifting projects

miss limpopo 2014 15 youtube - Apr 12 2023

web practice the walkies

2014 kış olimpiyatları nda alp disiplini erkekler iniş vikipedi - Aug 04 2022

web vikipedi özgür ansiklopedi 2014 kış olimpiyatları nda alp disiplini erkekler iniş rosa khutor alpine resort da 9 Şubat tarihinde yapılmıştır 1 yarışmadaki pist uzunluğu 3 495 m 11 466 54 ft start ile bitiş noktasındaki yükseklik farkı ise 1 075 m 3 527 ft idi

miss limpopo exclusive polokwane facebook - Mar 31 2022

web miss limpopo exclusive polokwane town polokwane 445 beğenme miss limpopo exclusive is in search for young women between the ages of 18 to 28 living in limpopo

2014 mozambican general election wikipedia - Dec 28 2021

web 2014 mozambican general election general elections were held in mozambique on 15 october 2014 filipe nyusi the candidate of the ruling frelimo was elected president and frelimo retained its parliamentary majority

miss limpopo province is on instagram 230 posts on their profile - Oct 06 2022

web 1 827 followers 703 following 230 posts see instagram photos and videos from miss limpopo province
misslimpopoprovince

mokopane sa beauty modeling - Dec 08 2022

web be trained by the owner of limpopo sa beauty modeling academy with over 25 years of experience in the modelling industry and running this academy for 14 years you can t be in better hands to become a top model katryn won over 100 titles with miss limpopo 2012 and miss humanity international 2014 won in barbados being her favourite titles

reigning beauty queen has big dreams for future lowvelder - Nov 07 2022

web jan 20 2014 burgersfort loving caring and talkative are the words miss tubatse 2014 kgaogelo malapji used to describe herself in a recent telephone interview with steelburger lydenburg news a truth lies behind these words as she has been actively involved in charity work for the last couple of years and plans to continue her projects

miss limpopo miss limpopo teen ana sayfa facebook - Jan 09 2023

web miss limpopo miss limpopo teen 5 369 beğenme 9 kişi bunun hakkında konuşuyor miss mr limpopo miss limpopo teen is about empowering purpose

mr miss mrs limpopo provincial pageant facebook - Sep 05 2022

web this is mr miss mrs limpopo provincial pageant 11 753 likes 44 talking about this this annual pageant is a search for provincial representatives this is the original and official lim

miss limpopo 2014 facebook - May 01 2022

web miss limpopo 2014 2 421 likes health beauty

moya waka reta morena morena ke miss limpopo 2014 - Feb 10 2023

web miss limpopo 2014 october 26 2022 instagram moya waka reta morena morena ke selebale tšohle tše le ntiretšeng tšona ke sa ikokobeditse ke hlomile fase ka letolo swipe left

beautiful kholofelo want to be the change she wishes for the - Jun 14 2023

web jan 24 2014 perseverance is one of her many positive attributes as she entered the miss limpopo 2014 pageant for a second time after failing to secure a title in 2013 kholofelo believes she has what it takes to be a great ambassador and a role model for the youth of the province last year was not my year

miss limpopo 2014 search pays off lowvelder - Jul 15 2023

web dec 19 2013 the miss limpopo winners are kholofelo lekganyane miss limpopo 2014 sophia tshabalala first princess and ntsetselelo mkansi second princess the miss congeniality title went to annah malatji and kedibone mohlapamafsi was crowned as miss photogenic

miss limpopo 2014 home facebook - Jul 03 2022

web miss limpopo 2014 2 039 likes health beauty

celebrating successful women owned businesses issuu - Jun 02 2022

web they have dressed winnie mashaba candy tsamandebela amstel the diva miss limpopo 2014 and bujy bikwa to name a few the current events hosted are madira s annual fashion show valentine s

miss limpopo miss limpopo teen facebook - Feb 27 2022

web miss limpopo miss limpopo teen 5 530 likes miss mr limpopo miss limpopo teen is about empowering purpose breaking boundaries inspiring chan

miss limpopo province facebook - Mar 11 2023

web miss limpopo province 11 320 likes 219 talking about this public figure

miss limpopo 2011 kholofelo madiba facebook - Jan 29 2022

web dec 11 2011 miss limpopo 2011 kholofelo madiba polokwane 369 likes public figure