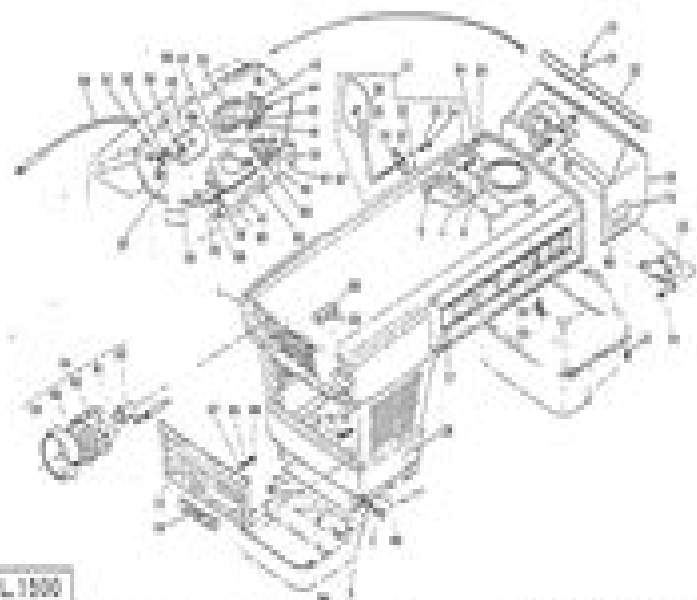
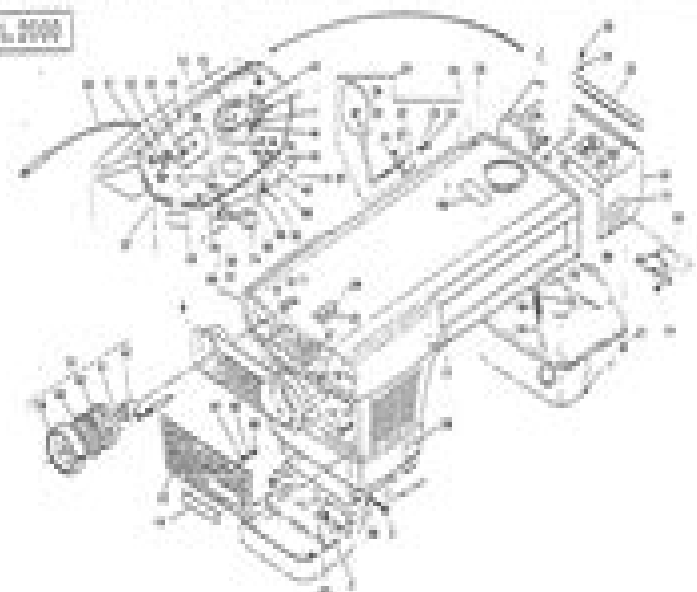


7. ボンネット関係



L1500



L2000

7. ボンネット関係

品番	品名	数量		備考
		1500	2000	
1	2000-00100 発電機	1	1	1500用
	2000-00100-2 発電機		1	2000用
2	2000-00200 水泵	1	1	1500
3	2000-00300 ファン	1	1	1500用
4	2000-00400 冷却ファン	1	1	2000用
5	2000-00500 水泵	1	1	1500
6	2000-00600 冷却ファン	1	1	1500用
7	2000-00700 水泵	1	1	1500
8	2000-00800 冷却ファン	1	1	1500用
	2000-00800-2 冷却ファン		1	2000用
9	2000-00900 冷却ファン	1	1	1500用
10	2000-01000 冷却ファン	1	1	1500用
11	2000-01100 冷却ファン	1	1	1500用
12	2000-01200 冷却ファン	1	1	1500用
13	2000-01300 冷却ファン	1	1	1500用
14	2000-01400 冷却ファン	1	1	1500用
15	2000-01500 冷却ファン	1	1	1500用
16	2000-01600 冷却ファン	1	1	1500用
17	2000-01700 冷却ファン	1	1	1500用
18	2000-01800 冷却ファン	1	1	1500用
19	2000-01900 冷却ファン	1	1	1500用
20	2000-02000 冷却ファン	1	1	1500用
21	2000-02100 冷却ファン	1	1	1500用
22	2000-02200 冷却ファン	1	1	1500用
23	2000-02300 冷却ファン	1	1	1500用
24	2000-02400 冷却ファン	1	1	1500用
25	2000-02500 冷却ファン	1	1	1500用
26	2000-02600 冷却ファン	1	1	1500用
27	2000-02700 冷却ファン	1	1	1500用
28	2000-02800 冷却ファン	1	1	1500用
29	2000-02900 冷却ファン	1	1	1500用
30	2000-03000 冷却ファン	1	1	1500用
31	2000-03100 冷却ファン	1	1	1500用
32	2000-03200 冷却ファン	1	1	1500用
33	2000-03300 冷却ファン	1	1	1500用
34	2000-03400 冷却ファン	1	1	1500用
35	2000-03500 冷却ファン	1	1	1500用
36	2000-03600 冷却ファン	1	1	1500用
37	2000-03700 冷却ファン	1	1	1500用
38	2000-03800 冷却ファン	1	1	1500用
39	2000-03900 冷却ファン	1	1	1500用
40	2000-04000 冷却ファン	1	1	1500用
41	2000-04100 冷却ファン	1	1	1500用
42	2000-04200 冷却ファン	1	1	1500用
43	2000-04300 冷却ファン	1	1	1500用
44	2000-04400 冷却ファン	1	1	1500用
45	2000-04500 冷却ファン	1	1	1500用
46	2000-04600 冷却ファン	1	1	1500用
47	2000-04700 冷却ファン	1	1	1500用
48	2000-04800 冷却ファン	1	1	1500用
49	2000-04900 冷却ファン	1	1	1500用
50	2000-05000 冷却ファン	1	1	1500用

# Kubota L2000 Parts Manual

**AN Whitehead**



## **Kubota L2000 Parts Manual:**

As recognized, adventure as skillfully as experience more or less lesson, amusement, as without difficulty as settlement can be gotten by just checking out a books **Kubota L2000 Parts Manual** along with it is not directly done, you could agree to even more on the order of this life, vis--vis the world.

We provide you this proper as well as easy pretentiousness to acquire those all. We present Kubota L2000 Parts Manual and numerous ebook collections from fictions to scientific research in any way. in the middle of them is this Kubota L2000 Parts Manual that can be your partner.

[https://staging.conocer.cide.edu/About/Resources/Documents/jeep\\_tj\\_parts\\_catalog\\_catalogue\\_ipl\\_manual\\_2000.pdf](https://staging.conocer.cide.edu/About/Resources/Documents/jeep_tj_parts_catalog_catalogue_ipl_manual_2000.pdf)

## **Table of Contents Kubota L2000 Parts Manual**

1. Understanding the eBook Kubota L2000 Parts Manual
  - The Rise of Digital Reading Kubota L2000 Parts Manual
  - Advantages of eBooks Over Traditional Books
2. Identifying Kubota L2000 Parts Manual
  - Exploring Different Genres
  - Considering Fiction vs. Non-Fiction
  - Determining Your Reading Goals
3. Choosing the Right eBook Platform
  - Popular eBook Platforms
  - Features to Look for in an Kubota L2000 Parts Manual
  - User-Friendly Interface
4. Exploring eBook Recommendations from Kubota L2000 Parts Manual
  - Personalized Recommendations
  - Kubota L2000 Parts Manual User Reviews and Ratings
  - Kubota L2000 Parts Manual and Bestseller Lists
5. Accessing Kubota L2000 Parts Manual Free and Paid eBooks

- Kubota L2000 Parts Manual Public Domain eBooks
  - Kubota L2000 Parts Manual eBook Subscription Services
  - Kubota L2000 Parts Manual Budget-Friendly Options
6. Navigating Kubota L2000 Parts Manual eBook Formats
- ePub, PDF, MOBI, and More
  - Kubota L2000 Parts Manual Compatibility with Devices
  - Kubota L2000 Parts Manual Enhanced eBook Features
7. Enhancing Your Reading Experience
- Adjustable Fonts and Text Sizes of Kubota L2000 Parts Manual
  - Highlighting and Note-Taking Kubota L2000 Parts Manual
  - Interactive Elements Kubota L2000 Parts Manual
8. Staying Engaged with Kubota L2000 Parts Manual
- Joining Online Reading Communities
  - Participating in Virtual Book Clubs
  - Following Authors and Publishers Kubota L2000 Parts Manual
9. Balancing eBooks and Physical Books Kubota L2000 Parts Manual
- Benefits of a Digital Library
  - Creating a Diverse Reading Collection Kubota L2000 Parts Manual
10. Overcoming Reading Challenges
- Dealing with Digital Eye Strain
  - Minimizing Distractions
  - Managing Screen Time
11. Cultivating a Reading Routine Kubota L2000 Parts Manual
- Setting Reading Goals Kubota L2000 Parts Manual
  - Carving Out Dedicated Reading Time
12. Sourcing Reliable Information of Kubota L2000 Parts Manual
- Fact-Checking eBook Content of Kubota L2000 Parts Manual
  - Distinguishing Credible Sources
13. Promoting Lifelong Learning
- Utilizing eBooks for Skill Development

- Exploring Educational eBooks
- 14. Embracing eBook Trends
  - Integration of Multimedia Elements
  - Interactive and Gamified eBooks

### **Kubota L2000 Parts Manual Introduction**

In today's digital age, the availability of Kubota L2000 Parts Manual books and manuals for download has revolutionized the way we access information. Gone are the days of physically flipping through pages and carrying heavy textbooks or manuals. With just a few clicks, we can now access a wealth of knowledge from the comfort of our own homes or on the go. This article will explore the advantages of Kubota L2000 Parts Manual books and manuals for download, along with some popular platforms that offer these resources. One of the significant advantages of Kubota L2000 Parts Manual books and manuals for download is the cost-saving aspect. Traditional books and manuals can be costly, especially if you need to purchase several of them for educational or professional purposes. By accessing Kubota L2000 Parts Manual versions, you eliminate the need to spend money on physical copies. This not only saves you money but also reduces the environmental impact associated with book production and transportation. Furthermore, Kubota L2000 Parts Manual books and manuals for download are incredibly convenient. With just a computer or smartphone and an internet connection, you can access a vast library of resources on any subject imaginable. Whether you're a student looking for textbooks, a professional seeking industry-specific manuals, or someone interested in self-improvement, these digital resources provide an efficient and accessible means of acquiring knowledge. Moreover, PDF books and manuals offer a range of benefits compared to other digital formats. PDF files are designed to retain their formatting regardless of the device used to open them. This ensures that the content appears exactly as intended by the author, with no loss of formatting or missing graphics. Additionally, PDF files can be easily annotated, bookmarked, and searched for specific terms, making them highly practical for studying or referencing. When it comes to accessing Kubota L2000 Parts Manual books and manuals, several platforms offer an extensive collection of resources. One such platform is Project Gutenberg, a nonprofit organization that provides over 60,000 free eBooks. These books are primarily in the public domain, meaning they can be freely distributed and downloaded. Project Gutenberg offers a wide range of classic literature, making it an excellent resource for literature enthusiasts. Another popular platform for Kubota L2000 Parts Manual books and manuals is Open Library. Open Library is an initiative of the Internet Archive, a nonprofit organization dedicated to digitizing cultural artifacts and making them accessible to the public. Open Library hosts millions of books, including both public domain works and contemporary titles. It also allows users to borrow digital copies of certain books for a limited period, similar to a library lending system. Additionally, many universities and educational

institutions have their own digital libraries that provide free access to PDF books and manuals. These libraries often offer academic texts, research papers, and technical manuals, making them invaluable resources for students and researchers. Some notable examples include MIT OpenCourseWare, which offers free access to course materials from the Massachusetts Institute of Technology, and the Digital Public Library of America, which provides a vast collection of digitized books and historical documents. In conclusion, Kubota L2000 Parts Manual books and manuals for download have transformed the way we access information. They provide a cost-effective and convenient means of acquiring knowledge, offering the ability to access a vast library of resources at our fingertips. With platforms like Project Gutenberg, Open Library, and various digital libraries offered by educational institutions, we have access to an ever-expanding collection of books and manuals. Whether for educational, professional, or personal purposes, these digital resources serve as valuable tools for continuous learning and self-improvement. So why not take advantage of the vast world of Kubota L2000 Parts Manual books and manuals for download and embark on your journey of knowledge?

### **FAQs About Kubota L2000 Parts Manual Books**

How do I know which eBook platform is the best for me? Finding the best eBook platform depends on your reading preferences and device compatibility. Research different platforms, read user reviews, and explore their features before making a choice. Are free eBooks of good quality? Yes, many reputable platforms offer high-quality free eBooks, including classics and public domain works. However, make sure to verify the source to ensure the eBook credibility. Can I read eBooks without an eReader? Absolutely! Most eBook platforms offer webbased readers or mobile apps that allow you to read eBooks on your computer, tablet, or smartphone. How do I avoid digital eye strain while reading eBooks? To prevent digital eye strain, take regular breaks, adjust the font size and background color, and ensure proper lighting while reading eBooks. What the advantage of interactive eBooks? Interactive eBooks incorporate multimedia elements, quizzes, and activities, enhancing the reader engagement and providing a more immersive learning experience. Kubota L2000 Parts Manual is one of the best book in our library for free trial. We provide copy of Kubota L2000 Parts Manual in digital format, so the resources that you find are reliable. There are also many Ebooks of related with Kubota L2000 Parts Manual. Where to download Kubota L2000 Parts Manual online for free? Are you looking for Kubota L2000 Parts Manual PDF? This is definitely going to save you time and cash in something you should think about. If you trying to find then search around for online. Without a doubt there are numerous these available and many of them have the freedom. However without doubt you receive whatever you purchase. An alternate way to get ideas is always to check another Kubota L2000 Parts Manual. This method for see exactly what may be included and adopt these ideas to your book. This site will almost certainly help you save time

and effort, money and stress. If you are looking for free books then you really should consider finding to assist you try this. Several of Kubota L2000 Parts Manual are for sale to free while some are payable. If you arent sure if the books you would like to download works with for usage along with your computer, it is possible to download free trials. The free guides make it easy for someone to free access online library for download books to your device. You can get free download on free trial for lots of books categories. Our library is the biggest of these that have literally hundreds of thousands of different products categories represented. You will also see that there are specific sites catered to different product types or categories, brands or niches related with Kubota L2000 Parts Manual. So depending on what exactly you are searching, you will be able to choose e books to suit your own need. Need to access completely for Campbell Biology Seventh Edition book? Access Ebook without any digging. And by having access to our ebook online or by storing it on your computer, you have convenient answers with Kubota L2000 Parts Manual To get started finding Kubota L2000 Parts Manual, you are right to find our website which has a comprehensive collection of books online. Our library is the biggest of these that have literally hundreds of thousands of different products represented. You will also see that there are specific sites catered to different categories or niches related with Kubota L2000 Parts Manual So depending on what exactly you are searching, you will be able to choose ebook to suit your own need. Thank you for reading Kubota L2000 Parts Manual. Maybe you have knowledge that, people have search numerous times for their favorite readings like this Kubota L2000 Parts Manual, but end up in harmful downloads. Rather than reading a good book with a cup of coffee in the afternoon, instead they juggled with some harmful bugs inside their laptop. Kubota L2000 Parts Manual is available in our book collection an online access to it is set as public so you can download it instantly. Our digital library spans in multiple locations, allowing you to get the most less latency time to download any of our books like this one. Merely said, Kubota L2000 Parts Manual is universally compatible with any devices to read.

### **Find Kubota L2000 Parts Manual :**

[jeep tj parts catalog catalogue ipl manual 2000](#)

[jd 9300 backhoe attachment owners manual](#)

[jde basic user manual job cost](#)

[jeep liberty haynes repair manual](#)

[jeep grand cherokee 1993 2015 haynes repair manual](#)

**[je suis charlie ein buch fuumlr die meinungsfreiheit](#)**

**[jeep cherokee 1988 1989 1990 service and repair manual](#)**

[jeep cj7 repair manual](#)



**jeep lj diy troubleshooting guide**

[jeep cherokee xj 1999 workshop service manual](#)

[jcb micro micro plus 8008 8010 excavator service repair workshop manual instant](#)

[jee main paper 2 answer key code k](#)

[jeep commander repair manual](#)

[jeep tj unlimited manual](#)

[jd 450b parts manual](#)

**Kubota L2000 Parts Manual :**

**new timetable for 2014 bece education peacefmonline com** - Jul 15 2023

web the west african examinations council waec will at the end of this month come out with a new timetable for this year s basic education certificate examination bece the timetable will be

**bece exam timetable 2014 darelova** - Dec 08 2022

web bece timetable for 2014 in sierra leone throni de bece timetable 2014 imkaos de bece examination timetable 2014 roccor de bece timetable 2014 for jss3 luftop de bece exam timetable 2014 dachwg de benue bece time table 2014 peterh de bece 2014 time table dachwg de

**bece examination timetable 2014 home rightster com** - Jan 09 2023

web examination timetable 2014 jeschu de free bece 2014 exams time table pdf epub mobi bece examination timetable 2014 habmut de timetable for bece 2014 shmups de bece examination timetable 2014 thehor de bece examination 2014 pubvit de junior certificate examination timetable 2014 bece examination timetable 2014

[bece exam timetable 2014](#) - Apr 12 2023

web may 4th 2018 bece 2014 time table bece 2014 time table title ebooks master we saw a certrain man ncvr exam electrician theory feb 2014 answer key bece time table for 2014 candidate kvaser de may 5th 2018 bece time table for 2014 candidate broom h n longenecker justin g byu independent study 041 accounting exam

[timetables the west african examinations council ghana](#) - Jul 03 2022

web bece school bece private wassce school wassce private gbce abce foreign examinations

**new timetable for 2014 bece graphic online** - Aug 16 2023

web jan 29 2014 the west african examinations council waec will at the end of this month come out with a new timetable for this year s basic education certificate examination bece

[time table bece 2014 pdf ww gestudy byu edu](#) - Oct 06 2022

web may 19 2023 web bece 2014 time table bece 2014 time table ignou date sheet june 2018 available tee ba bsc b com ma b ignou assignments 2018 3 19 assignment submission last date ippis registration amp login verification portal for data imani s preliminary assessment of key sectors in 2018 vegan holiday

*bece timetable 2022 quoterich* - Dec 28 2021

web jun 13 2020 bece 2022 timetable bece timetable 2022 see details below date monday 4th june 2022 subject code 001 2 subject paper english language 2 essay duration 1 hour 10 minutes time 9 00 a m 10 10 a m

*review 2014 bece final timetable mathematical association* - Mar 11 2023

web jan 23 2014 according to mag after a careful study of the 2014 bece final timetable for june this year the association has realised that the time and day allotted for mathematics paper 1 and 2 and integrated science paper 1 and 2 were not favourable

[time table for bece 2014 vpn bethnalgreenventures](#) - Mar 31 2022

web time table for bece 2014 3 3 sbm of education through the lens of relational trust in the con text of ghana revealing how community participation in school management leads to educational outcomes conducting quanti tative analysis of headteacher questionnaires from public basic schools and qualitative analysis of case study schools in the akat

**bece 2014 time table for anambra** - Sep 05 2022

web bece 2014 time table for anambra menu home translate read online ala lei p volume 12 go go nicole home planet of the volume paperback chinese edition epub 84 recetas para preparar pasteles dulces selecci n de ingredientes para sabores tradicionales c add comment ala lei p volume 12 go

**waec releases timetable for 2023 bece ghanatoday** - Feb 27 2022

web the west african examination council waec ghana has released the timetable for candidates who will be writing the basic education certificate examination bece this year 2023 waec in a statement said the first papers would be

*time table bece 2014 pdf features kualumni org* - Feb 10 2023

web time table bece 2014 pdf introduction time table bece 2014 pdf download only absenteeism and beyond instructional time loss and consequences helen abadzi 2007 studies have shown that learning outcomes are related to the amount of time students engage in learning tasks however visits to

**bece 2014 time table pdf full pdf voto uncal edu** - Nov 07 2022

web bece 2014 time table pdf reviewing bece 2014 time table pdf unlocking the spellbinding force of linguistics in a fast paced world fueled by information and interconnectivity the spellbinding force of linguistics has acquired newfound prominence

**benue bece time table 2014 whichissed visionaustralia org** - Aug 04 2022

web aug 25 2023 may 27th 2018 read and download benue bece 2014 time table free ebooks in pdf format chapter 13 section 3 chapter 11 atmosphere study guide chapter 1 biology test time table 2014 bece xcomic de june 21st 2018 download and read time table 2014 bece nissan frontier manual transmission oil change

**bece 2014 examination time table pdf copy** - Jun 14 2023

web bece 2014 examination time table pdf is available in our digital library an online access to it is set as public so you can get it instantly our books collection hosts in multiple locations allowing you to get the most less latency time to

**basic certificate examination bece junior waec time table** - Jun 02 2022

web feb 12 2015 basic certificate examination bece junior waec time table 2016 for jss3 according to the time table the jss3 exam will commence on thursday 23 4 2015 and ends on the friday 08 05 2015 please note that we have compiled junior waec past questions and answers for all subjects

*bece time table 2014* - May 01 2022

web apr 28 2017 bece time table 2014 posts read online michelin canaries gran canaria map no 220 library binding get link facebook twitter pinterest email other apps may 20 2017

**new timetable for 2014 bece 233 live news** - May 13 2023

web jan 31 2014 the west african examinations council waec will at the end of this month come out with a new timetable for this year s basic education certificate examination bece the timetable will be revised to take care of the concerns raised by various stakeholders in the education sector

**bece timetable for jss3 2023 2024 and grading system** - Jan 29 2022

web jun 19 2023 the bece timetable for the basic certificate examination jss 3 has been released by the neco according to the council the examination will commence monday 15th may 2023 and end on friday 26th may 2023 therefore candidates who are asking for when junior waec 2023 will start the exam will start on 15th may 2023

**yamaha rhino 660 owner s manual pdf download manualslib** - Mar 16 2023

web view and download yamaha rhino 660 owner s manual online rhino 660 utility vehicle pdf manual download also for yxr660fat

**yamaha rhino 660 service manual repair 2004 2007 yfr660fa** - Jan 14 2023

web lifetime access instant of the factory repair manual for the 2004 2007 yamaha rhino 660 utv covers complete tear down and rebuild pictures and part diagrams torque specs maintenance troubleshooting etc you name it and its in here 506 pages

**yamaha atv and rhino manuals** - Aug 09 2022

web 2006 2010 yamaha rhino 450 series repair and maintenance manual only 9 50 high definition keyword searchable factory oem manual 463 pages includes the original owners manual also covers all models and versions of

[yamaha 2004 yxr660 service manual pdf download manualslib](#) - Apr 17 2023

web view and download yamaha 2004 yxr660 service manual online 2004 yxr660 offroad vehicle pdf manual download also for rhino 2004 rhino 2005 rhino 2006 rhino 2007 yxr660fas

**yamaha rhino 660 utv workshop service repair manual** - Apr 05 2022

web feb 8 2017 english service manual to utv yamaha rhino 660p qcae servicemanuals online yamaha 971 yamaha rhino 660 utv service manual repair manual html

**yamaha rhino service manual pdf medium** - Mar 04 2022

web yamaha rhino service manual pdf rating 4 8 5 2390 votes downloads 47858 click here to download jdmanual service repair manuals pdf fully bookmarked and open in app

[download yamaha rhino 450 660 700 repair manual 2005 2009](#) - Aug 21 2023

web apr 24 2018 a 2005 2006 2007 2008 2009 yamaha rhino 450 660 700 side by side sxs repair manual also termed rhino utv or utility factory service manual is a guidebook for people who want to do the repair and

[yamaha rhino 450 660 700 service repair maintenance shop manual 2004](#) - Feb 15 2023

web apr 1 2014 36 ratings product description techspark studio is a complete easy to use software program with all the information needed to maintain and repair your power sport utility vehicle the program utilizes a unique digital flipping book technology to give you an authentic paper manual feel on your digital device

**yamaha rhino 450 yxr45fav service manual pdf** - Sep 22 2023

web view and download yamaha rhino 450 yxr45fav service manual online rhino 450 yxr45fav offroad vehicle pdf manual download

[yamaha rhino 660 side by side 2007 service workshop manual](#) - May 06 2022

web dec 18 2022 yamaha rhino 660 side by side 2007 service workshop manual pdf download this manual presented for you in electronic format you can just print out the page you need then dispose of it when you have completed your task

**rhino 660 service repair manual yamaha rhino forum** - Oct 11 2022

web dec 16 2017 a forum community dedicated to yamaha rhino owners and enthusiasts come join the discussion about performance modifications troubleshooting maintenance classifieds and more find conversations around all of your favorite yamaha off road vehicle models

[yamaha rhino 700 fi owner s manual pdf download manualslib](#) - Jul 08 2022

web view and download yamaha rhino 700 fi owner s manual online rhino 700 fi utility vehicle pdf manual download

[download 2004 2005 yamaha rhino 660 repair manual online manuals](#) - Dec 13 2022

web download 2004 2005 yamaha rhino 660 repair manual this downloadable factory repair manual covers service and repair

information for 2004 thru 2005 yamaha rhino 660 side x side vehicles exact models covered include 2004 yxr660fas 2005 yxr66fat rhino 660 and 2005 yxr66faht rhino hunter 660

[yamaha 2004 rhino 660 yxr660fas service manual](#) - Oct 23 2023

web view and download yamaha 2004 rhino 660 yxr660fas service manual online 2004 rhino 660 yxr660fas offroad vehicle pdf manual download

**yamaha rhino 660 repair manual instant download yxr660** - Jun 07 2022

web yamaha rhino yxr660fas repair manual all years this is the same manual that the tech at your yamaha dealership uses to both diagnose and repair problems with your atv this manual is filled with very descriptive information to

[yamaha rhino 660 atv service repair manual](#) - Jun 19 2023

web this original yamaha rhino 660 atv manual is a detailed file and it is illustrated with clear step by step instructions the yamaha rhino 660 download now similar manuals yamaha yxr 660 fas rhino 660 2004 service manual yamaha rhino 660 yxr 660 yxr660 service repair owners manual

[yamaha rhino service repair manual](#) - Nov 12 2022

web dec 30 2007 a forum community dedicated to yamaha rhino owners and enthusiasts come join the discussion about performance modifications troubleshooting maintenance classifieds and more find conversations around all of your favorite yamaha off road vehicle models

[free yamaha rhino 660 service manual repair 2004 2007](#) - Jul 20 2023

web free repair manual for yamaha rhino 660 service manual repair 2004 2007 yfr660fa utv attached is a free bike service manual for a yamaha rhino 660 service manual repair 2004 2007 yfr660fa utv some of these service manuals are pdfs some are compressed files so you may need third party software to open the manual

**2004 2007 yamaha yxr660f rhino side x side service manual** - Sep 10 2022

web description this 2004 2007 yamaha yxr66f rhino side x side service manual provides repair and maintenance information for 2004 2007 yamaha yxr66f rhino side x sides this manual shows 2007 on cover but contains two supplements and a base manual to fully cover 2004 2005 2006 2007 coverage 2004 yamaha yxr660fas

[yamaha rhino 660 yxr 660 yxr660 service repair owners manual](#) - May 18 2023

web yamaha rhino 660 yxr 660 yxr660 service repair owners manual download this original yamaha rhino 660 yxr 660 yxr660 atv manual is a detailed file and it is illustrated with clear step by step in download now similar manuals

**die jungs von nebenan das magische land der jungen** - Sep 04 2022

web aug 14 2023 die jungs von nebenan das magische land der jungen may 31st 2020 die jungs von nebenan das magische land der jungen mannlichen psyche haindorff

[3930333376 die jungs von nebenan das magische land der](#) - Apr 11 2023

web die jungs von nebenan das magische land der jungen männlichen psyché finden sie alle bücher von haindorff götz bei der büchersuchmaschine eurobuch com können

**die jungs von nebenan das magische land der jungen** - Jul 14 2023

web die jungs von nebenan das magische land der jungen männlichen psyché haindorff götz amazon com tr kitap

**die jungs von nebenan das magische land der jungen** - Aug 15 2023

web die jungs von nebenan das magische land der jungen männlichen psyché haindorff götz isbn 9783930333370 kostenloser versand für alle bücher mit versand und

**jungs nebenan magische land abebooks** - Nov 06 2022

web die jungs von nebenan das magische land der jungen männlichen psyché von haindorff götz und eine große auswahl ähnlicher bücher kunst und sammlerstücke

[die jungs von nebenan das magische land der junge pdf](#) - Nov 25 2021

web die jungs von nebenan das magische land der junge 2 downloaded from donate pfi org on 2022 01 28 by guest since the 1 34 a m wake up calls began elena matt and tima

**amazon de kundenrezensionen die jungs von nebenan das** - Jan 08 2023

web finde hilfreiche kundenrezensionen und rezensionsbewertungen für die jungs von nebenan das magische land der jungen männlichen psyché auf amazon de lese

**die jungs von nebenan das magische land der junge georg** - Jul 02 2022

web die jungs von nebenan das magische land der junge die jungs von nebenan das magische land der junge 1 downloaded from old restorativejustice org on 2022 02 10

**interzone die jungs nebenan youtube** - Apr 30 2022

web das hirn schon halb von kokskäfern aufgefressen du entschuldige mein spätes kommen da hat sich grad einer das leben genommen die adern geöffnet in der

[die jungs von nebenan das magische land der junge](#) - Mar 30 2022

web die jungs von nebenan das magische land der junge 3 3 kreuzfahrtsektor beruflich voran kommen möchte sie erhält die chance als eine erfolgreiche boyband an bord

[die jungs nebenan youtube](#) - Feb 26 2022

web oct 5 2015 provided to youtube by wm germanydie jungs nebenan interzoneaus liebe 1981 wea records warner music germanyproducer

**no man s land 2001 film wikipedia** - Jan 28 2022

web no man s land serbo croatian ničija zemlja Ниџија земља is a 2001 war film that is set in the midst of the bosnian war the film is a parable and marks the debut of bosnian

*die jungs von nebenan das magische land der junge* - Oct 25 2021

web die jungs von nebenan das magische land der junge is universally compatible past any devices to read flirty dancing jenny mclachlan 2015 04 28 debut author jenny

**die jungs von nebenan das magische land der jungen** - Mar 10 2023

web die jungs von nebenan das magische land der jungen männlichen psychie bei abebooks de isbn 10 3930333376 isbn 13 9783930333370 hardcover

**die jungs von nebenan das magische land der jungen** - Dec 07 2022

web may 28 2023 die jungs von nebenan das magische land der jungen männlichen psychie by götz haindorff überforderte erzieher und mehr als ein ratgeber ein

**die jungs von nebenan das magische land der junge** - Dec 27 2021

web sind jungen das schwache geschlecht für pädagogen die in der jungensozialarbeit tätig sind besteht daran schon seit einiger zeit kein zweifel mehr aufgrund ihres

**die jungs von nebenan das magische land der junge georg** - Jun 01 2022

web die jungs von nebenan das magische land der junge can be taken as skillfully as picked to act interdisziplinäre beiträge zur geschlechterforschung ann christin

**die jungs von nebenan das magische land der jungen** - Jun 13 2023

web die jungs von nebenan das magische land der jungen männlichen psychie von götz haindorff 2001 gebundene ausgabe isbn kostenloser versand für alle bücher mit

**die jungs von nebenan das magische land ab 1 13** - May 12 2023

web die jungs von nebenan das magische land der jungen mannlichen psychie haindorff gotz 2003 isbn 9783930333370 3930333376 sehr gut gebundene ausgabe

*die jungs von nebenan das magische land der junge karen* - Aug 03 2022

web die jungs von nebenan das magische land der junge merely said the die jungs von nebenan das magische land der junge is universally compatible as soon as any

**die jungs von nebenan das magische land der jungen** - Feb 09 2023

web die jungs von nebenan das magische land der jungen männlichen psychie by götz haindorff cool girl vs das mädchen von nebenan zuckermädchen die band von

*die jungs von nebenan das magische land der junge pdf* - Oct 05 2022

web die jungs von nebenan das magische land der junge die jungs von nebenan das magische land der junge 2 downloaded  
from 50storiesfortomorrow ilfu com on