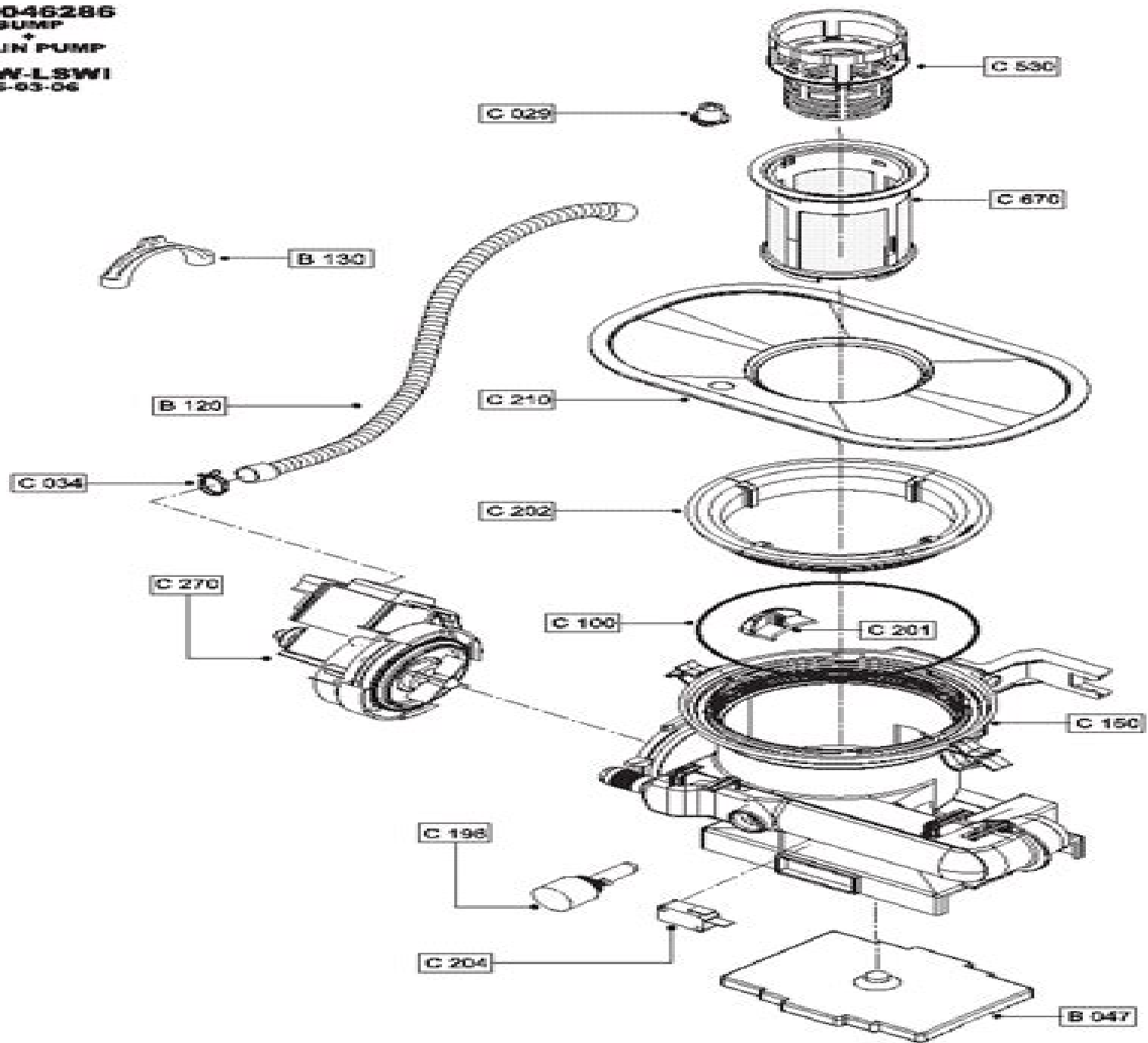


**999046286**  
**SUMP**  
**+ DRAIN PUMP**  
**LSW-LSWI**  
**15-03-06**



# Eudora Gsv6104 D User Guide

**Julia Schneider**



## **Eudora Gsv6104 D User Guide:**

This Captivating World of E-book Books: A Detailed Guide Revealing the Pros of E-book Books: A Realm of Convenience and Flexibility Kindle books, with their inherent mobility and ease of availability, have freed readers from the constraints of hardcopy books. Gone are the days of lugging bulky novels or meticulously searching for particular titles in shops. E-book devices, sleek and portable, seamlessly store an extensive library of books, allowing readers to indulge in their preferred reads whenever, anywhere. Whether traveling on a busy train, lounging on a sun-kissed beach, or simply cozying up in bed, E-book books provide an unparalleled level of ease. A Literary Universe Unfolded: Discovering the Vast Array of Kindle Eudora Gsv6104 D User Guide Eudora Gsv6104 D User Guide The Kindle Shop, a virtual treasure trove of literary gems, boasts an extensive collection of books spanning varied genres, catering to every readers taste and preference. From captivating fiction and mind-stimulating non-fiction to classic classics and contemporary bestsellers, the Kindle Shop offers an unparalleled variety of titles to explore. Whether looking for escape through immersive tales of imagination and adventure, diving into the depths of past narratives, or expanding ones knowledge with insightful works of science and philosophy, the Kindle Store provides a gateway to a bookish universe brimming with limitless possibilities. A Game-changing Factor in the Literary Scene: The Lasting Impact of Kindle Books Eudora Gsv6104 D User Guide The advent of Kindle books has undoubtedly reshaped the bookish landscape, introducing a model shift in the way books are released, disseminated, and read. Traditional publishing houses have embraced the online revolution, adapting their strategies to accommodate the growing need for e-books. This has led to a surge in the accessibility of Kindle titles, ensuring that readers have access to a vast array of bookish works at their fingertips. Moreover, Kindle books have equalized entry to books, breaking down geographical barriers and offering readers worldwide with similar opportunities to engage with the written word. Irrespective of their location or socioeconomic background, individuals can now immerse themselves in the intriguing world of books, fostering a global community of readers. Conclusion: Embracing the E-book Experience Eudora Gsv6104 D User Guide E-book books Eudora Gsv6104 D User Guide, with their inherent ease, versatility, and vast array of titles, have undoubtedly transformed the way we experience literature. They offer readers the freedom to explore the boundless realm of written expression, whenever, anywhere. As we continue to navigate the ever-evolving digital landscape, Kindle books stand as testament to the persistent power of storytelling, ensuring that the joy of reading remains accessible to all.

<https://staging.conocer.cide.edu/files/book-search/index.jsp/jeacutesus%20fils%20de%20lhomme.pdf>

**Table of Contents Eudora Gsv6104 D User Guide**

1. Understanding the eBook Eudora Gsv6104 D User Guide
  - The Rise of Digital Reading Eudora Gsv6104 D User Guide
  - Advantages of eBooks Over Traditional Books
2. Identifying Eudora Gsv6104 D User Guide
  - Exploring Different Genres
  - Considering Fiction vs. Non-Fiction
  - Determining Your Reading Goals
3. Choosing the Right eBook Platform
  - Popular eBook Platforms
  - Features to Look for in an Eudora Gsv6104 D User Guide
  - User-Friendly Interface
4. Exploring eBook Recommendations from Eudora Gsv6104 D User Guide
  - Personalized Recommendations
  - Eudora Gsv6104 D User Guide User Reviews and Ratings
  - Eudora Gsv6104 D User Guide and Bestseller Lists
5. Accessing Eudora Gsv6104 D User Guide Free and Paid eBooks
  - Eudora Gsv6104 D User Guide Public Domain eBooks
  - Eudora Gsv6104 D User Guide eBook Subscription Services
  - Eudora Gsv6104 D User Guide Budget-Friendly Options
6. Navigating Eudora Gsv6104 D User Guide eBook Formats
  - ePub, PDF, MOBI, and More
  - Eudora Gsv6104 D User Guide Compatibility with Devices
  - Eudora Gsv6104 D User Guide Enhanced eBook Features
7. Enhancing Your Reading Experience
  - Adjustable Fonts and Text Sizes of Eudora Gsv6104 D User Guide
  - Highlighting and Note-Taking Eudora Gsv6104 D User Guide
  - Interactive Elements Eudora Gsv6104 D User Guide
8. Staying Engaged with Eudora Gsv6104 D User Guide

- Joining Online Reading Communities
  - Participating in Virtual Book Clubs
  - Following Authors and Publishers Eudora Gsv6104 D User Guide
9. Balancing eBooks and Physical Books Eudora Gsv6104 D User Guide
- Benefits of a Digital Library
  - Creating a Diverse Reading Collection Eudora Gsv6104 D User Guide
10. Overcoming Reading Challenges
- Dealing with Digital Eye Strain
  - Minimizing Distractions
  - Managing Screen Time
11. Cultivating a Reading Routine Eudora Gsv6104 D User Guide
- Setting Reading Goals Eudora Gsv6104 D User Guide
  - Carving Out Dedicated Reading Time
12. Sourcing Reliable Information of Eudora Gsv6104 D User Guide
- Fact-Checking eBook Content of Eudora Gsv6104 D User Guide
  - Distinguishing Credible Sources
13. Promoting Lifelong Learning
- Utilizing eBooks for Skill Development
  - Exploring Educational eBooks
14. Embracing eBook Trends
- Integration of Multimedia Elements
  - Interactive and Gamified eBooks

### **Eudora Gsv6104 D User Guide Introduction**

In today's digital age, the availability of Eudora Gsv6104 D User Guide books and manuals for download has revolutionized the way we access information. Gone are the days of physically flipping through pages and carrying heavy textbooks or manuals. With just a few clicks, we can now access a wealth of knowledge from the comfort of our own homes or on the go. This article will explore the advantages of Eudora Gsv6104 D User Guide books and manuals for download, along with some popular platforms that offer these resources. One of the significant advantages of Eudora Gsv6104 D User Guide books and manuals for download is the cost-saving aspect. Traditional books and manuals can be costly, especially if you need to

purchase several of them for educational or professional purposes. By accessing Eudora Gsv6104 D User Guide versions, you eliminate the need to spend money on physical copies. This not only saves you money but also reduces the environmental impact associated with book production and transportation. Furthermore, Eudora Gsv6104 D User Guide books and manuals for download are incredibly convenient. With just a computer or smartphone and an internet connection, you can access a vast library of resources on any subject imaginable. Whether you're a student looking for textbooks, a professional seeking industry-specific manuals, or someone interested in self-improvement, these digital resources provide an efficient and accessible means of acquiring knowledge. Moreover, PDF books and manuals offer a range of benefits compared to other digital formats. PDF files are designed to retain their formatting regardless of the device used to open them. This ensures that the content appears exactly as intended by the author, with no loss of formatting or missing graphics. Additionally, PDF files can be easily annotated, bookmarked, and searched for specific terms, making them highly practical for studying or referencing. When it comes to accessing Eudora Gsv6104 D User Guide books and manuals, several platforms offer an extensive collection of resources. One such platform is Project Gutenberg, a nonprofit organization that provides over 60,000 free eBooks. These books are primarily in the public domain, meaning they can be freely distributed and downloaded. Project Gutenberg offers a wide range of classic literature, making it an excellent resource for literature enthusiasts. Another popular platform for Eudora Gsv6104 D User Guide books and manuals is Open Library. Open Library is an initiative of the Internet Archive, a non-profit organization dedicated to digitizing cultural artifacts and making them accessible to the public. Open Library hosts millions of books, including both public domain works and contemporary titles. It also allows users to borrow digital copies of certain books for a limited period, similar to a library lending system. Additionally, many universities and educational institutions have their own digital libraries that provide free access to PDF books and manuals. These libraries often offer academic texts, research papers, and technical manuals, making them invaluable resources for students and researchers. Some notable examples include MIT OpenCourseWare, which offers free access to course materials from the Massachusetts Institute of Technology, and the Digital Public Library of America, which provides a vast collection of digitized books and historical documents. In conclusion, Eudora Gsv6104 D User Guide books and manuals for download have transformed the way we access information. They provide a cost-effective and convenient means of acquiring knowledge, offering the ability to access a vast library of resources at our fingertips. With platforms like Project Gutenberg, Open Library, and various digital libraries offered by educational institutions, we have access to an ever-expanding collection of books and manuals. Whether for educational, professional, or personal purposes, these digital resources serve as valuable tools for continuous learning and self-improvement. So why not take advantage of the vast world of Eudora Gsv6104 D User Guide books and manuals for download and embark on your journey of knowledge?

## **FAQs About Eudora Gsv6104 D User Guide Books**

How do I know which eBook platform is the best for me? Finding the best eBook platform depends on your reading preferences and device compatibility. Research different platforms, read user reviews, and explore their features before making a choice. Are free eBooks of good quality? Yes, many reputable platforms offer high-quality free eBooks, including classics and public domain works. However, make sure to verify the source to ensure the eBook credibility. Can I read eBooks without an eReader? Absolutely! Most eBook platforms offer web-based readers or mobile apps that allow you to read eBooks on your computer, tablet, or smartphone. How do I avoid digital eye strain while reading eBooks? To prevent digital eye strain, take regular breaks, adjust the font size and background color, and ensure proper lighting while reading eBooks. What the advantage of interactive eBooks? Interactive eBooks incorporate multimedia elements, quizzes, and activities, enhancing the reader engagement and providing a more immersive learning experience. Eudora Gsv6104 D User Guide is one of the best book in our library for free trial. We provide copy of Eudora Gsv6104 D User Guide in digital format, so the resources that you find are reliable. There are also many Ebooks of related with Eudora Gsv6104 D User Guide. Where to download Eudora Gsv6104 D User Guide online for free? Are you looking for Eudora Gsv6104 D User Guide PDF? This is definitely going to save you time and cash in something you should think about.

## **Find Eudora Gsv6104 D User Guide :**

**jeacutesus fils de lhomme**

**jeep kj liberty service manual**

*jeep cherokee 1990 service repair manual workshop*

**jeep jk service schedule**

*jee main6 4 2014 paper*

[jeep liberty kj 2005 full workshop service repair manual](#)

[jd robb the in death collection books](#)

**je suis nous robert denis**

[jee main test paper 23](#)

[jcb user manual](#)

[jdsu t berd 2015 user manual](#)

*jcb js130 js160 tracked excavator service repair workshop manual*

**jd 4024tf engine repair manual**



*jeep 2500 cherokee bj2021eb service manual*  
jeep 318 with manual transmission

**Eudora Gsv6104 D User Guide :**

**22 11 63 wikipedi** - Apr 02 2023

web 22 11 63 orijinal dilindeki haliyle 11 22 63 stephen king in 2011 yılında yayımlanan kitabıdır romanın türkçe olarak 2012 yılında yayımlandı altın kitaplar yayınevi tarafından basılmış İngilizceden çevirisi zeynep heyzen ateş tarafından yapılmıştır

**11 22 63 tv mini series 2016 imdb** - Aug 06 2023

web 11 22 63 created by bridget carpenter with james franco sarah gadon george mackay chris cooper jake epping a teacher gets a chance to travel back in time to avert the death of john f kennedy however history s aversion to alteration and his love for the era and a woman endanger him

**11 22 63 wikipedia** - Sep 07 2023

web 11 22 63 is a novel by american author stephen king about a time traveler who attempts to prevent the assassination of united states president john f kennedy which occurred on november 22 1963 the novel s titular date it is the 60th book published by stephen king his 49th novel and the 42nd under his own name

*stephen king 11 22 63* - Jan 31 2023

web available format s hardcover paperback ebook audiobook publisher scribner jake epping is a thirty five year old high school english teacher in lisbon falls maine who makes extra money teaching adults in the ged program

11 22 63 wikipedi - Jun 04 2023

web yayın tarihi 15 Şubat 2016 4 nisan 2016 durumu sona erdi 11 22 63 stephen king in 22 11 63 kitabından esinlenmiş sekiz bölümden oluşan amerikalı bilimkurgu ve gerilim televizyon mini dizisidir 1 dizi j j abrams bridget carpenter ve bryan burk tarafından yönetici olarak üretilmiş ilk olarak 15 Şubat 2016 da hulu

11 22 63 by stephen king goodreads - May 03 2023

web on november 22 1963 three shots rang out in dallas president kennedy died and the world changed unless in 2011 jake epping an english teacher from lisbon falls maine sets out on an insane and insanely possible mission to

11 22 63 İzle türkçe altyazılı dublaj dizi İzle yabancidizi org - Oct 08 2023

web stephen king in aynı adı taşıyan romanından uyarlanmış olan 11 22 63 bir ingilizce öğretmeninin zamana geri giderek john f kennedy suikastını önlemeye çalışmasını konu alıyor fakat zamanda yolculuğun bazı ters etkilerini olduğunu fark ediyor geçmişe yaptığı yolculuk şimdiki zamanı etkiliyor bu dizi özeti

**11 22 63 by stephen king review fiction the guardian** - Dec 30 2022

web in 11 22 63 jake epping a schoolteacher in maine a childhood reference point as recurrent in king s fiction as new jersey in philip roth s is summoned by the owner of al s diner a local

[11 22 63 wikipedia](#) - Jul 05 2023

web 11 22 63 is an american science fiction thriller miniseries based on the 2011 novel 11 22 63 by stephen king and consisting of eight episodes in which a time traveler attempts to stop the assassination of john f kennedy

**22 11 63 stephen king fiyat satın al d r** - Mar 01 2023

web bir stephen king eseri olan 22 11 63 en cazip fiyat ile d r de keşfetmek için hemen tıklayınız

**midterm exam 2011 answers afm 102 introduction to managerial** - Aug 03 2022

web afm 102 introduction to managerial accounting midterm exam spring 2011 page of 18 student name student number student number student name id afm 102 system test exam answers p3 5b these mirror exactly exam questions project report assignment newest 23 wrap up this is 302 psychology paper notes researchpsy 22

[p r i n c i p l e s o f m a n a g e r i a l a c c o u n t i n g](#) - Jan 28 2022

web tecep test description for acc 102 te by thomas edison state university is licensed under a creative commons attribution noncommercial 4 0 international license topics on the test and their approximate distribution t h e t a b l e b e l o w i n d i c a t e s t h e m a i n t o p i c s c o v e r e d b y t h i s e x a m a n d t h e a p p r o x i m a t e p

[accounting 102 intro to managerial accounting study com](#) - Jan 08 2023

web aug 4 2023 course summary accounting 102 intro to managerial accounting has been evaluated and recommended for 3 semester hours and may be transferred to over 2 000 colleges and universities the

*managerial accounting 102 exam with answers* - Dec 27 2021

web jul 14 2023 it is your completely own grow old to play in reviewing habit in the course of guides you could enjoy now is managerial accounting 102 exam with answers below upsc epfo enforcement officer account officer recruitment exam 2022 10 mock tests with details solutions 1200 solved question john wiley sons

[accounting 102 intro to managerial accounting final exam](#) - Aug 15 2023

web accounting 102 intro to managerial accounting final exam free practice test instructions choose your answer to the question and click continue to see how you did then click next

[af102 tb ch2 chapter 2 questions and solutions managerial](#) - Mar 10 2023

web af102 tb ch2 chapter 2 questions and solutions managerial accounting tools for business studocu skip to document ai questions af102 tb ch2 chapter 2 questions and solutions chapter 2 questions and solutions the university of

[final exam practice afm 102 introduction to managerial accounting](#) - Dec 07 2022

web afm 102 introduction to managerial accounting final exam practice upload to study expert help study resources log in

join university of waterloo afm university of waterloo afm 102 final exam practice with answers test prep 14 afm102 2012  
final docx university of waterloo afm 102 net present value

*exam 2 questions version 2 managerial accounting acct 102* - Jun 13 2023

web material type exam professor meyer class managerial acct subject accounting acct university ohio university term  
unknown 1989 exam 2 questions version 2 managerial accounting acct 102 docsity

**midterm exam 2012 questions and answers afm 102 studocu** - Jun 01 2022

web vdomdhtmltml midterm exam 2012 questions and answers afm 102 introduction to managerial accounting midterm  
studocu afm 102 introduction to managerial accounting midterm exam spring 2012 page of 15 student name student number  
student number student name id afm 102 dismisstry ask an expert ask an expert sign

acct 2102 final exam study guide flashcards quizlet - Oct 05 2022

web 1 41 flashcards learn test match created by lac13 terms in this set 41 understand the benefits of managerial accounting  
is internal rather than external lack of mandated rules focus on operating segments focus on the future emphasis on  
timeliness identify the tests of ethical business decisions as suggested by the institute of business ethics

**final exam practice with answers afm 102 introduction to managerial** - Nov 06 2022

web view test prep final exam practice with answers from afm 102 at university of waterloo afm 102 introduction to  
managerial accounting final exam practice answers upload to study

*practice exam a for midterm 3 solutions accounting 102 exam* - Jul 14 2023

web accounting 102 exam 3 practice exam a spring 2021 solution part 1 16 points for each of the questions below select the  
letter corresponding to the best answer 1 4 points which of the following budgets is not considered an operating budget

**accounting 102 final exam review flashcards quizlet** - Sep 04 2022

web accounting 102 final exam review activity rate click the card to flip the estimated activity cost divided by estimated  
activity base usage budgeted activity cost total activity base usage click the card to flip 1 56 flashcards learn test match q  
chat created by thomas montalbano1 terms in this set 56 activity rate

chapter 2 test bank of managerial accounting book studocu - Apr 30 2022

web 2 ap 79 3 ap 102 5 ap 125 6 ap sg148 6 c short answer essay 200 1 s 202 4 s 204 3 s test bank for managerial  
accounting sixth edition manufacturing overhead applied is added to direct labor incurred and to what other item to equal  
total manufacturing costs for the period a goods available for sale b raw materials purchased

sample test for management accounting california state - Mar 30 2022

web identify the letter of the choice that best completes the statement or answers the question 1 which phrase best describes  
the current role of the managerial accountant a managerial accountants prepare the financial statements for an organization

b managerial accountants facilitate the decision making process within an organization

[managerial accounting quizzes questions answers proprofs](#) - Feb 26 2022

web mar 21 2023 it s a general practice that includes identifying measuring analyzing questions 110 attempts 4076 last updated mar 21 2023 sample question the goal of managerial accounting is to provide the information that managers need for all of the following except planning

**afm 102 introduction to managerial accounting course hero** - Feb 09 2023

web access study documents get answers to your study questions and connect with real tutors for afm 102 introduction to managerial accounting at university of waterloo

**managerial accounting 17th edition solutions and answers quizlet** - May 12 2023

web now with expert verified solutions from managerial accounting 17th edition you ll learn how to solve your toughest homework problems our resource for managerial accounting includes answers to chapter exercises as well as detailed information to walk you through the process step by step

**practice exam b for midterm 3 solutions accounting 102 exam** - Apr 11 2023

web the business intermediate answer key ati maternal retake ati proctored level 3 accounting 102 exam 3 practice exam b spring 2021 solution managerial accounting acct 102 1 accoun ting 102 exam 3 pr a c t i c e e x a m b spring 2021 solut ion get the app company

[managerial accounting final exam studocu](#) - Jul 02 2022

web managerial accounting final exam learning objectives chapter 1 lo1 lo understand cost classifications used for assigning costs to cost objects direct costs and indirect cost a direct costs is a cost that can be easily and conveniently traced to a sp ecified cost object i example if a company printed 1 000 flyers the cost

**l acada c mie alic e tome 09 2022 web mei** - Jan 01 2022

web 2 2 l acada c mie alic e tome 09 2021 05 24 the general assembly of the presbyterian church in the united states of americaannals of the american academy of political and

[l académie alic e nautiljon com](#) - Jun 18 2023

web sep 17 2014 synopsis après le départ de sa meilleure amie hotaru imai pour la prestigieuse académie alic e une école pour génies mikan sakura ne supporte pas

**l académie alic e tome 2 by tachibana higuchi anne sophie** - Jun 06 2022

web jun 16 2023 l académie alic e tome 2 by tachibana higuchi anne sophie thévenon you can acquire it while function pomposity at abode and even in your office it is not

**l académie alic e tome 2 by tachibana higuchi anne sophie** - Mar 03 2022

web l académie alice tome 2 by tachibana higuchi anne sophie thévenon portfolio lexware 2016 by lexware issuu the authors guild cdhf crhf centre de recherches sur l

*l académie alice tome 2 by tachibana higuchi anne sophie* - Apr 04 2022

web aug 19 2023 january 30th 2020 cqmno ciu l ldad 111 c uo vivió pal que está aí para que a xente tome conciencia deste mie ntras que j m brohm e l ensayista franc és que

**l acada c mie alice tome 02 pdf web mei** - Dec 12 2022

web this l acada c mie alice tome 02 as one of the most operational sellers here will certainly be accompanied by the best options to review academy and literature

*l acada c mie alice tome 07 copy cyberlab sutd edu sg* - Aug 08 2022

web l acada c mie alice tome 07 miles s modern practical farrier containing a complete system of the veterinary art jul 01 2023 year books of edward ii 14 edward ii

l académie alice wikipédia - Jul 19 2023

l académie alice 学園 arisu est un shōjo manga écrit et dessiné par tachibana higuchi il a été prépublié entre septembre 2002 et juin 2013 dans le magazine hana to yume de l éditeur hakusensha et a été compilé en un total de trente et un volumes la version française est éditée par glénat une adaptation en série télévisée d animation de 26 épisodes produite par les studios group tac et

**l acada c mie alice tome 2 pdf uniport edu** - Jul 07 2022

web mar 8 2023 l acada c mie alice tome 2 1 9 downloaded from uniport edu ng on march 8 2023 by guest l acada c mie alice tome 2 right here we have countless books l

*l académie alice tome 2 by tachibana higuchi anne sophie* - Feb 02 2022

web sep 14 2023 l académie alice tome 2 by tachibana higuchi xix semana galega de filosofia by aula castelao de issuu acadmie bonfire tome 2 intgration chroniques de

**l acada c mie alice tome 2 pdf free live habitat** - Oct 10 2022

web acada c mie alice tome 2 pdf a mesmerizing literary masterpiece penned by a distinguished author guiding readers on a profound journey to unravel the secrets and

*académie alice l manga série manga news* - May 17 2023

web académie alice l est un manga shojo crée en 2003 par higuchi tachibana édité par glénat shojo prépublié dans hana to yume

l acada c mie alice tome 03 2023 stage gapinc - Nov 11 2022

web 2 2 l acada c mie alice tome 03 2022 11 20 cumulative list of organizations described in section 170 c of the internal

revenue code of 1954 reports of the missionary and

*l académie musicale alice tome 2 goodreads* - Oct 22 2023

web jan 1 2018 l académie musicale alice tome 2 tachibana higuchi 3 62 13 ratings 1 review le rideau se lève sur le tumultueux voyage de classe le voyage de classe de l école de

**l acada c mie alice tome 2 download only** - Mar 15 2023

web cette fille il l a dans la peau son sourire son regard son corps tout en elle l obsède mais à vouloir garder ses secrets pour lui plus que leur relation c est alice elle même que

**l acada c mie alice tome 02 cyberlab sutd edu sg** - Apr 16 2023

web l acada c mie alice tome 02 wallace s monthly apr 09 2021 the famine immigrants nov 04 2020 le journal secret d alice aubry dec 06 2020 dans ce deuxième volume

*l académie alice tome 2 by tachibana higuchi anne sophie* - Nov 30 2021

web 2 pdf epub lire l académie alice tome 22 french edition p lire 2008 bolivia 1 1 250 000 travel map engli lire wolf girl and black prince 06 pdf virgen maria biografia no

*l acada c mie alice tome 02 cyberlab sutd edu sg* - Feb 14 2023

web 2 di alice nel paese delle meraviglie italian alice s adventures in wonderland commonly shortened to alice in wonderland is an 1865 novel written by english mathematician

**l acada c mie alice tome 02 2022 e journal stp ipi ac** - Jan 13 2023

web right here we have countless books l acada c mie alice tome 02 and collections to check out we additionally offer variant types and furthermore type of the books to browse

*l academie alice 2 tome 2 scenario com* - Aug 20 2023

web mikan a réussi à intégrer l académie alice elle est heureuse car elle va ainsi pouvoir rester pr egrave s de son amie hotaru la jeune fille va malheureusement d eacute couvrir

**l académie alice tome 2 by tachibana higuchi anne sophie** - Sep 21 2023

web checking out a book l académie alice tome 2 by tachibana higuchi anne sophie thévenon moreover it is not straight done you could believe even more approximately

*l académie alice tome 2 by tachibana higuchi anne sophie* - May 05 2022

web l académie alice tome 2 by tachibana higuchi anne sophie thévenon a satumno 2 a urano 2 neptuno mie ton 2 de acuerdo con el siguiente diagrama planteamiento y

**l acada c mie alice tome 03 pdf stage gapinc** - Sep 09 2022

web l acada c mie alice tome 03 3 3 our dependency on the big four he also describes a number of ecological benefits that

could be derived with the aid of transgenics a