

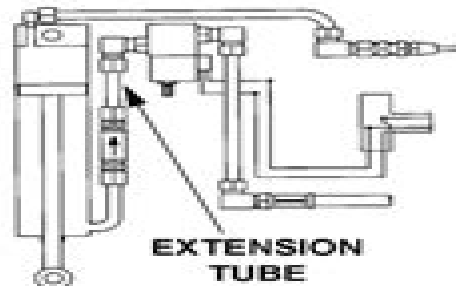
LIFT CYLINDER REPLACEMENT

1. Raise the open Platform about 20" above the ground. Place a jack under the Platform and raise an additional 3" or 4". Measure the distance between the Cylinder Pins and record this distance for later use.

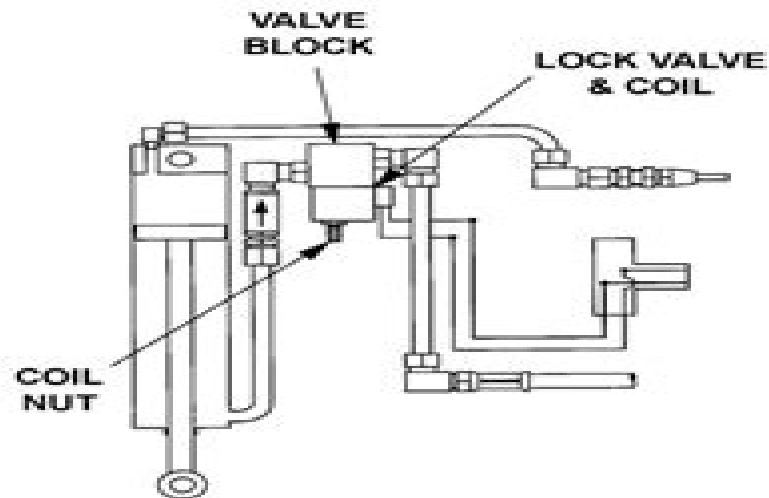
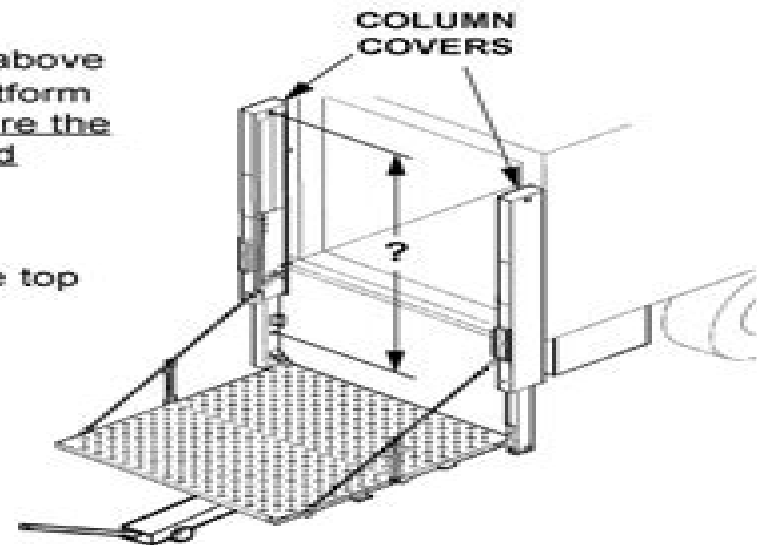
2. Remove the Column Cover from the top of the Column.

NOTE:

If your unit was one of the first in production, it came equipped with an Extension Tube Assembly (shown below Left). If so, skip Step 3 and go to Step 9. If your unit has **no** Extension Tube Assembly (shown below Right), then proceed with Step 3.



3. Remove the Coil Nut from the Lock Valve & Coil. Slide off the Coil and unscrew the Valve Cartridge (screwed into the Valve Block). Remove the bolts (if any), that secure the Valve Block to the Column.



Maxon Lift Gate Service Manual

Daniel F McAuley



Maxon Lift Gate Service Manual:

Public Works Manual ,1998 **Operator's, Unit, Direct Support, and General Support Maintenance Manual** ,1992 Diesel Equipment Superintendent ,1980 *Safety Related Recall Campaigns for Motor Vehicles and Motor Vehicle Equipment, Including Tires* United States. National Highway Traffic Safety Administration,1976 **Beverage Industry Annual Manual** ,1975 THOMAS REGIONAL INDUSTRIAL BUYING GUIDE NORTHERN CALIFORNIA 2004 ,
Fleet Owner ,1981 California Builder & Engineer ,2003 **Safety Related Recall Campaigns for Motor Vehicles and Motor Vehicle Equipment, Including Tires** ,1976 **Handling & Shipping Management** ,1984 The physical distribution magazine *Chilton's CCJ.* ,1985 **Public Works** ,1971 **Thomas Register of American Manufacturers** ,2003 Vols for 1970 71 includes manufacturers catalogs **Industrial Equipment News** ,1976
Regional Industrial Buying Guide ,2003 **Mechanical Engineering** ,1982 **Solid Wastes Management/Refuse Removal Journal** ,1983 The Management of World Wastes ,1983 Chemical Engineering Catalog ,1991 **Chemical Engineering Equipment Buyers' Guide** ,1986-08

Thank you very much for reading **Maxon Lift Gate Service Manual**. Maybe you have knowledge that, people have look hundreds times for their favorite novels like this Maxon Lift Gate Service Manual, but end up in malicious downloads. Rather than enjoying a good book with a cup of coffee in the afternoon, instead they cope with some harmful virus inside their desktop computer.

Maxon Lift Gate Service Manual is available in our book collection an online access to it is set as public so you can download it instantly.

Our book servers spans in multiple locations, allowing you to get the most less latency time to download any of our books like this one.

Kindly say, the Maxon Lift Gate Service Manual is universally compatible with any devices to read

https://staging.conocer.cide.edu/public/Resources/Download_PDFS/Jan_1edexcel_Past_Papers.pdf

Table of Contents Maxon Lift Gate Service Manual

1. Understanding the eBook Maxon Lift Gate Service Manual
 - The Rise of Digital Reading Maxon Lift Gate Service Manual
 - Advantages of eBooks Over Traditional Books
2. Identifying Maxon Lift Gate Service Manual
 - Exploring Different Genres
 - Considering Fiction vs. Non-Fiction
 - Determining Your Reading Goals
3. Choosing the Right eBook Platform
 - Popular eBook Platforms
 - Features to Look for in an Maxon Lift Gate Service Manual
 - User-Friendly Interface
4. Exploring eBook Recommendations from Maxon Lift Gate Service Manual
 - Personalized Recommendations

- Maxon Lift Gate Service Manual User Reviews and Ratings
- Maxon Lift Gate Service Manual and Bestseller Lists
- 5. Accessing Maxon Lift Gate Service Manual Free and Paid eBooks
 - Maxon Lift Gate Service Manual Public Domain eBooks
 - Maxon Lift Gate Service Manual eBook Subscription Services
 - Maxon Lift Gate Service Manual Budget-Friendly Options
- 6. Navigating Maxon Lift Gate Service Manual eBook Formats
 - ePub, PDF, MOBI, and More
 - Maxon Lift Gate Service Manual Compatibility with Devices
 - Maxon Lift Gate Service Manual Enhanced eBook Features
- 7. Enhancing Your Reading Experience
 - Adjustable Fonts and Text Sizes of Maxon Lift Gate Service Manual
 - Highlighting and Note-Taking Maxon Lift Gate Service Manual
 - Interactive Elements Maxon Lift Gate Service Manual
- 8. Staying Engaged with Maxon Lift Gate Service Manual
 - Joining Online Reading Communities
 - Participating in Virtual Book Clubs
 - Following Authors and Publishers Maxon Lift Gate Service Manual
- 9. Balancing eBooks and Physical Books Maxon Lift Gate Service Manual
 - Benefits of a Digital Library
 - Creating a Diverse Reading Collection Maxon Lift Gate Service Manual
- 10. Overcoming Reading Challenges
 - Dealing with Digital Eye Strain
 - Minimizing Distractions
 - Managing Screen Time
- 11. Cultivating a Reading Routine Maxon Lift Gate Service Manual
 - Setting Reading Goals Maxon Lift Gate Service Manual
 - Carving Out Dedicated Reading Time
- 12. Sourcing Reliable Information of Maxon Lift Gate Service Manual
 - Fact-Checking eBook Content of Maxon Lift Gate Service Manual

- Distinguishing Credible Sources
13. Promoting Lifelong Learning
- Utilizing eBooks for Skill Development
 - Exploring Educational eBooks
14. Embracing eBook Trends
- Integration of Multimedia Elements
 - Interactive and Gamified eBooks

Maxon Lift Gate Service Manual Introduction

Maxon Lift Gate Service Manual Offers over 60,000 free eBooks, including many classics that are in the public domain. Open Library: Provides access to over 1 million free eBooks, including classic literature and contemporary works. Maxon Lift Gate Service Manual Offers a vast collection of books, some of which are available for free as PDF downloads, particularly older books in the public domain. Maxon Lift Gate Service Manual : This website hosts a vast collection of scientific articles, books, and textbooks. While it operates in a legal gray area due to copyright issues, its a popular resource for finding various publications. Internet Archive for Maxon Lift Gate Service Manual : Has an extensive collection of digital content, including books, articles, videos, and more. It has a massive library of free downloadable books. Free-eBooks Maxon Lift Gate Service Manual Offers a diverse range of free eBooks across various genres. Maxon Lift Gate Service Manual Focuses mainly on educational books, textbooks, and business books. It offers free PDF downloads for educational purposes. Maxon Lift Gate Service Manual Provides a large selection of free eBooks in different genres, which are available for download in various formats, including PDF. Finding specific Maxon Lift Gate Service Manual, especially related to Maxon Lift Gate Service Manual, might be challenging as theyre often artistic creations rather than practical blueprints. However, you can explore the following steps to search for or create your own Online Searches: Look for websites, forums, or blogs dedicated to Maxon Lift Gate Service Manual, Sometimes enthusiasts share their designs or concepts in PDF format. Books and Magazines Some Maxon Lift Gate Service Manual books or magazines might include. Look for these in online stores or libraries. Remember that while Maxon Lift Gate Service Manual, sharing copyrighted material without permission is not legal. Always ensure youre either creating your own or obtaining them from legitimate sources that allow sharing and downloading. Library Check if your local library offers eBook lending services. Many libraries have digital catalogs where you can borrow Maxon Lift Gate Service Manual eBooks for free, including popular titles. Online Retailers: Websites like Amazon, Google Books, or Apple Books often sell eBooks. Sometimes, authors or publishers offer promotions or free periods for certain books. Authors Website Occasionally, authors provide excerpts or short stories for free on their websites. While this might not be the Maxon Lift Gate

Service Manual full book , it can give you a taste of the authors writing style.Subscription Services Platforms like Kindle Unlimited or Scribd offer subscription-based access to a wide range of Maxon Lift Gate Service Manual eBooks, including some popular titles.

FAQs About Maxon Lift Gate Service Manual Books

1. Where can I buy Maxon Lift Gate Service Manual books? Bookstores: Physical bookstores like Barnes & Noble, Waterstones, and independent local stores. Online Retailers: Amazon, Book Depository, and various online bookstores offer a wide range of books in physical and digital formats.
2. What are the different book formats available? Hardcover: Sturdy and durable, usually more expensive. Paperback: Cheaper, lighter, and more portable than hardcovers. E-books: Digital books available for e-readers like Kindle or software like Apple Books, Kindle, and Google Play Books.
3. How do I choose a Maxon Lift Gate Service Manual book to read? Genres: Consider the genre you enjoy (fiction, non-fiction, mystery, sci-fi, etc.). Recommendations: Ask friends, join book clubs, or explore online reviews and recommendations. Author: If you like a particular author, you might enjoy more of their work.
4. How do I take care of Maxon Lift Gate Service Manual books? Storage: Keep them away from direct sunlight and in a dry environment. Handling: Avoid folding pages, use bookmarks, and handle them with clean hands. Cleaning: Gently dust the covers and pages occasionally.
5. Can I borrow books without buying them? Public Libraries: Local libraries offer a wide range of books for borrowing. Book Swaps: Community book exchanges or online platforms where people exchange books.
6. How can I track my reading progress or manage my book collection? Book Tracking Apps: Goodreads, LibraryThing, and Book Catalogue are popular apps for tracking your reading progress and managing book collections. Spreadsheets: You can create your own spreadsheet to track books read, ratings, and other details.
7. What are Maxon Lift Gate Service Manual audiobooks, and where can I find them? Audiobooks: Audio recordings of books, perfect for listening while commuting or multitasking. Platforms: Audible, LibriVox, and Google Play Books offer a wide selection of audiobooks.
8. How do I support authors or the book industry? Buy Books: Purchase books from authors or independent bookstores. Reviews: Leave reviews on platforms like Goodreads or Amazon. Promotion: Share your favorite books on social media or recommend them to friends.

9. Are there book clubs or reading communities I can join? Local Clubs: Check for local book clubs in libraries or community centers. Online Communities: Platforms like Goodreads have virtual book clubs and discussion groups.
10. Can I read Maxon Lift Gate Service Manual books for free? Public Domain Books: Many classic books are available for free as they're in the public domain. Free E-books: Some websites offer free e-books legally, like Project Gutenberg or Open Library.

Find Maxon Lift Gate Service Manual :

[jan 1 edexcel past papers](#)

jaguar xjs buyers guide

[jaffe anesthesiologist manual of surgical procedures website](#)

[jacobs ladder brian keaney](#)

[jabsco 12573 0000 user guide](#)

[jamaica breeze drink recipe](#)

[jan 2007 grade boundaries edexcel](#)

[james stewart solutions manual](#)

jaguar xk8 wiring diagram

[jaguar xj8 user manual](#)

[jacuzzi service repair manual](#)

~~[jai baiseacute ma bonne philippine initiation dune femme ordinaire t](#)~~

[jaguar mk 8 workshop manual](#)

jai mis les voiles pour gagner

jamia millia islamia 2015 2016prospectus

Maxon Lift Gate Service Manual :

Life in a Gall | CSIRO Publishing by R Blanche · 2012 · Cited by 19 — It explores the ways the insects have adapted to living part of their lives in the confined spaces of galls, and describes the strategies employed by different ... Life in a Gall: The Biology and Ecology of ... - Amazon.com It explores the ways the insects have adapted to living part of their lives in the confined spaces of galls, and describes the strategies employed by different ... Life in a Gall , Rosalind Blanche, 9780643106444 Introduces the Australian native insects that induce galls on plants and the plant species that host them.

What are plant galls and how are they caused? Life in a Gall: The Biology and Ecology of ... - Amazon.com It explores the ways the insects have adapted to living part of their lives in the confined spaces of galls, and describes the strategies employed by different ... Life in a Gall: The Biology and Ecology of Insects That Live in ... This fine book provides a concise and approachable introduction to the intimate world of galls—plant tissues whose development is controlled by another ... Life In A Gall The Biology And Ecology Of Insects Pdf Pdf - Sirona Michele A. J. Williams 1994 Plant galls may be produced by a wide variety of organisms, from fungi to parasitic insects, on an equally wide. Life in a gall. The biology and ecology of insects that live in ... PDF | On Dec 1, 2012, John L. Capinera published Life in a gall. The biology and ecology of insects that live in plant galls by R. Blanche | Find, read and ... The Biology and Ecology of Insects that live in Plant Galls Description: This book introduces the Australian native insects that induce galls on plants and the plant species that host them. It explores the ways the ... The Biology and Ecology of Insects That Live in Plant Galls by ... by RA Hayes · 2013 — Life in A Gall: The Biology and Ecology of Insects That Live in Plant Galls by Rosalind Blanche. CSIRO Publishing, Collingwood, 2012. viii + 71 ... Life In A Gall The Biology And Ecology Of Insects Pdf Pdf Nov 5, 2023 — Ronald A. Russo 2021-04-20 A photographic guide to 536 species of plant galls found west of the Rockies Beautiful and bizarre, plant galls ... The Heavy Guitar Bible: A Rock Guitar Instruction Manual This book gives you everything you need to really be able to play your guitar like a professional. It's an easy method to learn your music theory and how to use ... The Heavy Guitar Bible - A Rock Guitar Manual This bestseller is now available with a CD! The complete book on the world of rock guitar, covering fretboard basics, chords, structure, and all rock styles, ... Heavy Guitar Bible Vol2 A Rock Guitar Manual Heavy Guitar Bible Vol2 A Rock Guitar Manual · Book overview. Book by Richard Daniels. The Heavy Guitar Bible: A Rock Guitar Instruction Manual The complete book on the world of rock guitar, covering fretboard basics, chords, structure, and all rock styles, with accompanying illustrations. GenresMusic. The Heavy Metal Guitar Bible The Heavy Metal Guitar Bible is a three-part series that teaches you the essential skills required to become a master Heavy Metal guitarist. Heavy Guitar Bible Rock by Richard Daniels The Heavy Guitar Bible: A Rock Guitar Instruction Manual by Richard Daniels and a great selection of related books, art and collectibles available now at ... The Heavy Guitar Bible: A Rock Guitar Manual (Guitar Educational). This bestseller is now available with a CD! The complete book on the world of rock guitar, covering fretboard basics, chords, The Heavy Guitar Bible [HL:2501149] A Rock Guitar Manual. This bestseller is now available with a CD! The complete book on the world of rock guitar, covering fretboard basics, chords, structure, ... The Heavy Guitar Bible by Richard Daniels, Paperback (Guitar Educational). The complete book on the world of rock guitar, covering fretboard basics, chords, structure, and all rock styles, with accompanying. Cherry Lane The Heavy Guitar Bible Book The Heavy Guitar Bible provides you with an incredibly resourceful book on the world of rock guitar, covering fretboard basics, chords, structure, ... Lee, Fetter & McCray, 2003 - HYDROGEOLOGY ... Lee, Fetter & McCray, 2003 - HYDROGEOLOGY LABORATORY MANUAL.pdf - Free ebook ...

Considering your answers to the previous questions, what future actions ... Applied Hydrogeology Fetter Answer | PDF APPLIED HYDROGEOLOGY FETTER ANSWER. Applied Hydrogeology Fetter Answer from our library is free resource for public. Our library. Ebooks collection delivers ... Lee, Fetter & McCray, 2003 - HYDROGEOLOGY ... Explain your answer. 2. All the wells in and around the site are being monitored. Might contaminants eventually show up in well 209A? Well 212A? Well 201? What ... Hydrogeology Laboratory Manual by CJ Booth · 2003 — Hydrogeology Laboratory Manual (2nd Edition), K. Lee, C.W. Fetter, and J.E. McCray. Pearson Education, Inc., Upper Saddle River, NJ 07458. 2003. 150 pages. ISBN ... Geohydrology (Lecture and Laboratory) 2. Credits & Contact ... a. Course Description: Origin, occurrence, and movement of fluids in porous media and assessment of aquifer characteristics. This course will also develop. Applied Hydrogeology - 4th Edition - Solutions and Answers Our resource for Applied Hydrogeology includes answers to chapter exercises, as well as detailed information to walk you through the process step by step. With ... Applied Hydrogeology Fetter Answer PDF/HYD-1513127 HYDROGEOLOGY LABORATORY MANUAL LEE AND FETTER. ANSWERS ... FETTER WALECKA SOLUTIONS MANUAL. Available. PDF/FET-1122872. FETTER AND WALECKA ... hydrogeology ... answers to odd- numbered problems. Lee, K., Fetter, C. W., Jr., and McCray, J. E., Hydrogeology Laboratory Manual, 2nd Edition, Pearson. Education (Prentice ... Hydrogeology Laboratory Manual (2nd Edition) This lab manual features a hands-on approach to learning about the physical and chemical processes that govern groundwater flow and contaminant movement in ...