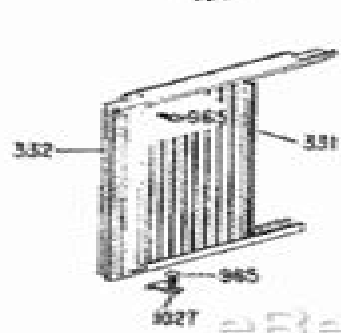
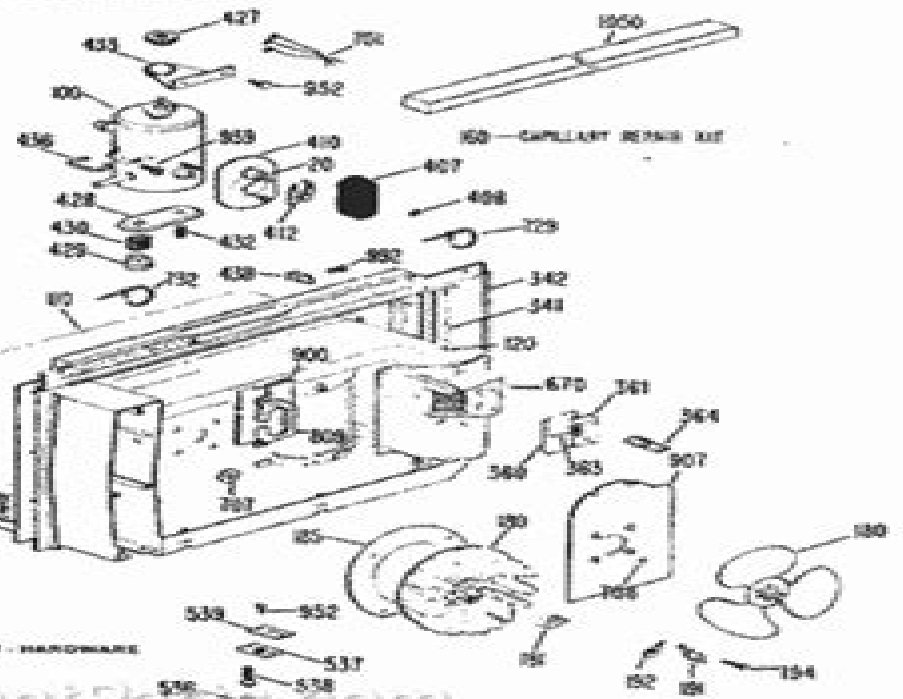
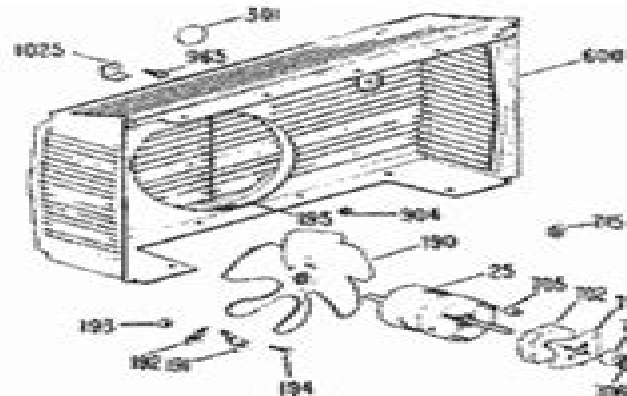
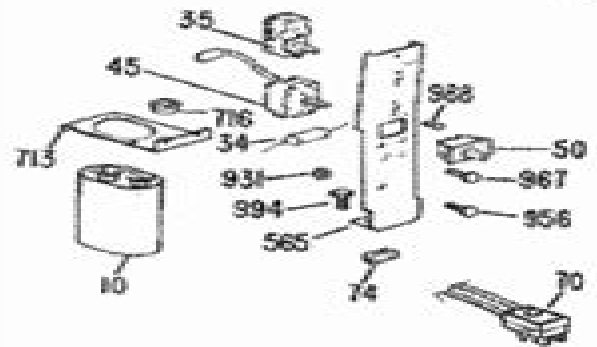
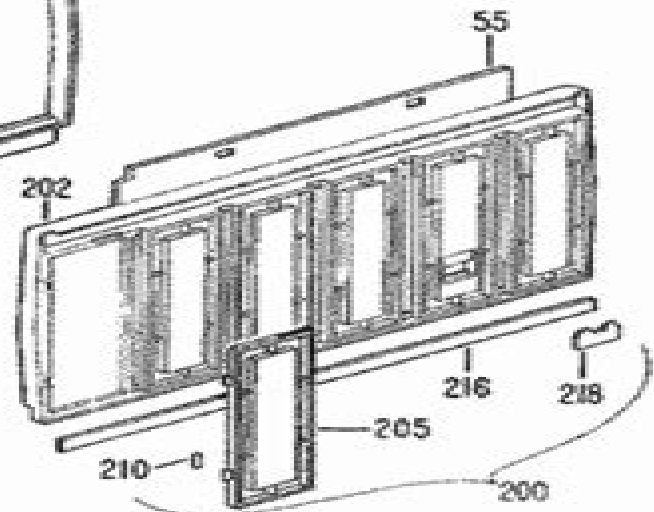
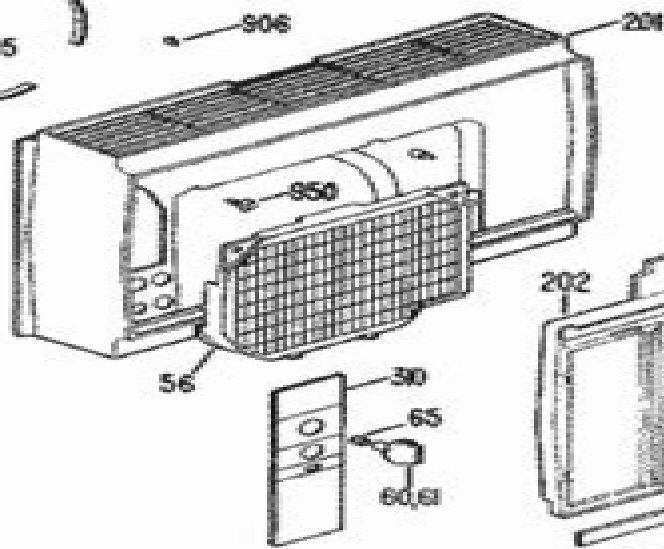


AT1905LS3A



REF. 3000 - INSTALLATION KIT - HARDWARE

eReplacementParts.com



(AKE IN WJ9284)

Ge Air Conditioner Manual

Chilton Book Company



Ge Air Conditioner Manual:

Technical Manual United States. War Department,1944 **Field Manuals** United States. War Department,1946
Technical Manual United States Department of the Army,1951 *Operator, Organizational, Direct and General Support, and Depot Maintenance Manual* ,1969 Heating, Ventilating, Air Conditioning Guide ,1928 **Monthly Catalogue, United States Public Documents** ,1994 *Monthly Catalog of United States Government Publications* ,2004 Catalog of Copyright Entries. Third Series Library of Congress. Copyright Office,1952 Includes Part 1A Books and Part 1B Pamphlets Serials and Contributions to Periodicals **Catalogue of Copyright Entries** ,1954 House Beautiful's Maintenance & Postwar Building Manual ,1949 *Utilities equipment repairer* United States. Department of the Army,1979 **Miller's Anesthesia E-Book** Ronald D. Miller,Lars I. Eriksson, Lee A Fleisher, Jeanine P. Wiener-Kronish, Neal H Cohen, William L. Young,2014-10-20 From fundamental principles to advanced subspecialty procedures Miller s Anesthesia covers the full scope of contemporary anesthesia practice This go to medical reference book offers masterful guidance on the technical scientific and clinical challenges you face each day in addition to providing the most up to date information available for effective board preparation Consult this title on your favorite e reader conduct rapid searches and adjust font sizes for optimal readability Address the unique needs of pediatric patients with guidance from an entire section on pediatric anesthesia View more than 1 500 full color illustrations for enhanced visual clarity Access step by step instructions for patient management as well as an in depth analysis of ancillary responsibilities and problems Quickly reference important concepts with Key Points boxes integrated into every chapter Stay current on today s most recent anesthetic drugs and guidelines protocols for anesthetic practice and patient safety and access expanded coverage on new techniques such as TEE and other monitoring procedures Take advantage of the unique international perspectives of prominent anesthesiologists from all over the world including the UK Australia India Brazil and Germany Remain at the forefront of new developments in anesthesia with coverage of hot topics including Non OR Anesthesia Role of the Anesthesiologist in Disasters Sleep Medicine in Anesthesia Perioperative and Anesthesia related Neurotoxicity Anesthetic Implications of Complementary and Alternative Medicine and Robotics Study brand new chapters on Perioperative Fluid Management Extracorporeal Support Therapies Anesthesia for Organ Donation Procurement and Malignant Hyperthermia and other Genetic Disorders **The Definitive Plymouth Barracuda and Dodge Challenger Guide: 1970-1974** Scott Ross,2016-06-15 The 1970 1974 Plymouth Barracudas and Dodge Challengers are compact lightweight and extremely powerful pony cars some are considered to be the greatest Mopar muscle cars of the era The platform known as the E Body for this generation was Chrysler s response to the competition from the Ford Mustang and Chevy Camaro Today the E Body Barracudas and Challengers are some of the most valuable and popular muscle cars ever built In *The Definitive Plymouth Barracuda and Dodge Challenger Guide 1970 1974* seasoned journalist Scott Ross has unearthed new information from the key personnel involved in designing engineering and

building these brash muscle cars Ross provides comprehensive engine transmission and interior options as well as essential trim package and color code information You learn the bottom line on original equipment packages and options Ross covers Special Edition R T Gran Coupe and Rapid Transit System packages And of course the preeminent models in the lineup Hemi Cuda Challenger 440 six pack AAR Cuda and Challenger TA are covered in extensive detail The large option list and which options were available on which cars is covered in great detail which will greatly assist you with authentication Plymouth Barracudas and Dodge Challengers are some of the most powerful and valuable Mopar muscle cars ever built If you have been searching for the comprehensive story and vital option information for these classic Mopar muscle cars you don t need to look any further

Commerce Today ,1974 An Introductory Guide to EC Competition Law and Practice Valentine Korah,1994 **Planner's Guide to Facilities Layout and Design for the Defense Communications System Physical Plant** ,1985 *Energy Efficiency of Buildings in Cities* United States. Congress. Office of Technology Assessment,1982

Index of Technical Manuals, Technical Regulations, Technical Bulletins, Supply Bulletins, Lubrications Orders, and Modification Work Orders United States. Department of the Army,1955 *Chilton's Import Car Manual* Chilton Book Company,1987 *Energy Efficiency of Buildings in Cities* ,1982

Embark on a transformative journey with Written by is captivating work, Discover the Magic in **Ge Air Conditioner Manual** . This enlightening ebook, available for download in a convenient PDF format , invites you to explore a world of boundless knowledge. Unleash your intellectual curiosity and discover the power of words as you dive into this riveting creation. Download now and elevate your reading experience to new heights .

https://staging.conocer.cide.edu/data/virtual-library/Download_PDFS/Introduction%20To%20Machine%20Learning.pdf

Table of Contents Ge Air Conditioner Manual

1. Understanding the eBook Ge Air Conditioner Manual
 - The Rise of Digital Reading Ge Air Conditioner Manual
 - Advantages of eBooks Over Traditional Books
2. Identifying Ge Air Conditioner Manual
 - Exploring Different Genres
 - Considering Fiction vs. Non-Fiction
 - Determining Your Reading Goals
3. Choosing the Right eBook Platform
 - Popular eBook Platforms
 - Features to Look for in an Ge Air Conditioner Manual
 - User-Friendly Interface
4. Exploring eBook Recommendations from Ge Air Conditioner Manual
 - Personalized Recommendations
 - Ge Air Conditioner Manual User Reviews and Ratings
 - Ge Air Conditioner Manual and Bestseller Lists
5. Accessing Ge Air Conditioner Manual Free and Paid eBooks
 - Ge Air Conditioner Manual Public Domain eBooks
 - Ge Air Conditioner Manual eBook Subscription Services
 - Ge Air Conditioner Manual Budget-Friendly Options

6. Navigating Ge Air Conditioner Manual eBook Formats
 - ePub, PDF, MOBI, and More
 - Ge Air Conditioner Manual Compatibility with Devices
 - Ge Air Conditioner Manual Enhanced eBook Features
7. Enhancing Your Reading Experience
 - Adjustable Fonts and Text Sizes of Ge Air Conditioner Manual
 - Highlighting and Note-Taking Ge Air Conditioner Manual
 - Interactive Elements Ge Air Conditioner Manual
8. Staying Engaged with Ge Air Conditioner Manual
 - Joining Online Reading Communities
 - Participating in Virtual Book Clubs
 - Following Authors and Publishers Ge Air Conditioner Manual
9. Balancing eBooks and Physical Books Ge Air Conditioner Manual
 - Benefits of a Digital Library
 - Creating a Diverse Reading Collection Ge Air Conditioner Manual
10. Overcoming Reading Challenges
 - Dealing with Digital Eye Strain
 - Minimizing Distractions
 - Managing Screen Time
11. Cultivating a Reading Routine Ge Air Conditioner Manual
 - Setting Reading Goals Ge Air Conditioner Manual
 - Carving Out Dedicated Reading Time
12. Sourcing Reliable Information of Ge Air Conditioner Manual
 - Fact-Checking eBook Content of Ge Air Conditioner Manual
 - Distinguishing Credible Sources
13. Promoting Lifelong Learning
 - Utilizing eBooks for Skill Development
 - Exploring Educational eBooks
14. Embracing eBook Trends
 - Integration of Multimedia Elements

- Interactive and Gamified eBooks

Ge Air Conditioner Manual Introduction

Free PDF Books and Manuals for Download: Unlocking Knowledge at Your Fingertips In today's fast-paced digital age, obtaining valuable knowledge has become easier than ever. Thanks to the internet, a vast array of books and manuals are now available for free download in PDF format. Whether you are a student, professional, or simply an avid reader, this treasure trove of downloadable resources offers a wealth of information, conveniently accessible anytime, anywhere. The advent of online libraries and platforms dedicated to sharing knowledge has revolutionized the way we consume information. No longer confined to physical libraries or bookstores, readers can now access an extensive collection of digital books and manuals with just a few clicks. These resources, available in PDF, Microsoft Word, and PowerPoint formats, cater to a wide range of interests, including literature, technology, science, history, and much more. One notable platform where you can explore and download free Ge Air Conditioner Manual PDF books and manuals is the internet's largest free library. Hosted online, this catalog compiles a vast assortment of documents, making it a veritable goldmine of knowledge. With its easy-to-use website interface and customizable PDF generator, this platform offers a user-friendly experience, allowing individuals to effortlessly navigate and access the information they seek. The availability of free PDF books and manuals on this platform demonstrates its commitment to democratizing education and empowering individuals with the tools needed to succeed in their chosen fields. It allows anyone, regardless of their background or financial limitations, to expand their horizons and gain insights from experts in various disciplines. One of the most significant advantages of downloading PDF books and manuals lies in their portability. Unlike physical copies, digital books can be stored and carried on a single device, such as a tablet or smartphone, saving valuable space and weight. This convenience makes it possible for readers to have their entire library at their fingertips, whether they are commuting, traveling, or simply enjoying a lazy afternoon at home. Additionally, digital files are easily searchable, enabling readers to locate specific information within seconds. With a few keystrokes, users can search for keywords, topics, or phrases, making research and finding relevant information a breeze. This efficiency saves time and effort, streamlining the learning process and allowing individuals to focus on extracting the information they need. Furthermore, the availability of free PDF books and manuals fosters a culture of continuous learning. By removing financial barriers, more people can access educational resources and pursue lifelong learning, contributing to personal growth and professional development. This democratization of knowledge promotes intellectual curiosity and empowers individuals to become lifelong learners, promoting progress and innovation in various fields. It is worth noting that while accessing free Ge Air Conditioner Manual PDF books and manuals is convenient and cost-effective, it is vital to respect copyright laws and intellectual property rights. Platforms offering free downloads often operate within legal boundaries,

ensuring that the materials they provide are either in the public domain or authorized for distribution. By adhering to copyright laws, users can enjoy the benefits of free access to knowledge while supporting the authors and publishers who make these resources available. In conclusion, the availability of Ge Air Conditioner Manual free PDF books and manuals for download has revolutionized the way we access and consume knowledge. With just a few clicks, individuals can explore a vast collection of resources across different disciplines, all free of charge. This accessibility empowers individuals to become lifelong learners, contributing to personal growth, professional development, and the advancement of society as a whole. So why not unlock a world of knowledge today? Start exploring the vast sea of free PDF books and manuals waiting to be discovered right at your fingertips.

FAQs About Ge Air Conditioner Manual Books

What is a Ge Air Conditioner Manual PDF? A PDF (Portable Document Format) is a file format developed by Adobe that preserves the layout and formatting of a document, regardless of the software, hardware, or operating system used to view or print it. **How do I create a Ge Air Conditioner Manual PDF?** There are several ways to create a PDF: Use software like Adobe Acrobat, Microsoft Word, or Google Docs, which often have built-in PDF creation tools. Print to PDF: Many applications and operating systems have a "Print to PDF" option that allows you to save a document as a PDF file instead of printing it on paper. Online converters: There are various online tools that can convert different file types to PDF. **How do I edit a Ge Air Conditioner Manual PDF?** Editing a PDF can be done with software like Adobe Acrobat, which allows direct editing of text, images, and other elements within the PDF. Some free tools, like PDFescape or Smallpdf, also offer basic editing capabilities. **How do I convert a Ge Air Conditioner Manual PDF to another file format?** There are multiple ways to convert a PDF to another format: Use online converters like Smallpdf, Zamzar, or Adobe Acrobats export feature to convert PDFs to formats like Word, Excel, JPEG, etc. Software like Adobe Acrobat, Microsoft Word, or other PDF editors may have options to export or save PDFs in different formats. **How do I password-protect a Ge Air Conditioner Manual PDF?** Most PDF editing software allows you to add password protection. In Adobe Acrobat, for instance, you can go to "File" -> "Properties" -> "Security" to set a password to restrict access or editing capabilities. Are there any free alternatives to Adobe Acrobat for working with PDFs? Yes, there are many free alternatives for working with PDFs, such as: LibreOffice: Offers PDF editing features. PDFsam: Allows splitting, merging, and editing PDFs. Foxit Reader: Provides basic PDF viewing and editing capabilities. How do I compress a PDF file? You can use online tools like Smallpdf, ILovePDF, or desktop software like Adobe Acrobat to compress PDF files without significant quality loss. Compression reduces the file size, making it easier to share and download. Can I fill out forms in a PDF file? Yes, most PDF viewers/editors like Adobe Acrobat, Preview (on Mac),

or various online tools allow you to fill out forms in PDF files by selecting text fields and entering information. Are there any restrictions when working with PDFs? Some PDFs might have restrictions set by their creator, such as password protection, editing restrictions, or print restrictions. Breaking these restrictions might require specific software or tools, which may or may not be legal depending on the circumstances and local laws.

Find Ge Air Conditioner Manual :

introduction to machine learning

[introduction to the law of real property](#)

introduction to the standard model of particle physics

introduction to uav systems

~~introduction to management accounting by jones canadian edition~~

[introduction to physical oceanography](#)

introduction to microwave circuits radio frequency and design applications

~~introduction to mechanics matter waves~~

[introduction to statistics concepts an](#)

[introduction to north american beetles](#)

[introduction to simulation and slam](#)

introduction to occupations

[introduction to oil painting](#)

introduction to process control principles and applications instrumentation and process control selfstudy series

introduction to the play in the theater of the mind hayden series in...

Ge Air Conditioner Manual :

la robe une histoire culturelle du moyen age à aujourd'hui - Sep 02 2022

web nov 4 2021 dans cet ouvrage où une large place est laissée à l'iconographie peintures gravures photographies georges vigarello s'attache à montrer comment l'évolution de

la robe une histoire culturelle du moyen âge à aujourd'hui - Oct 03 2022

web robe la une histoire culturelle du moyen Âge À aujourd'hui Éd collector vigarello georges amazon ca livres aller au contenu

la robe une histoire culturelle du moyen Âge à aujourd'hui - Aug 13 2023

web la robe dans cet ouvrage où une large place est laissée à l'iconographie peintures gravures photographies georges vigarello s'attache à montrer comment l'évolution de

[la robe une histoire culturelle radio france](#) - Oct 15 2023

web nov 4 2021 résumé voir tout la robe dans cet ouvrage où une large place est laissée à l'iconographie peintures gravures photographies georges vigarello s'attache à

[la robe une histoire culturelle du moyen âge À aujourd'hui](#) - Jan 26 2022

la robe une histoire culturelle du moyen Âge à aujourd'hui - Jul 12 2023

web nov 2 2017 la robe une histoire culturelle du moyen âge à aujourd'hui de georges vigarello retrace l'histoire de la femme à travers l'évolution de ses tenues son

la robe une histoire culturelle georges vigarello babelio - Jun 11 2023

web nov 2 2017 la robe une histoire culturelle du moyen Âge à aujourd'hui vigarello georges on amazon com free shipping on qualifying offers la robe une histoire

la robe une histoire culturelle du moyen Âge à aujourd'hui - Mar 08 2023

web la robe une histoire culturelle est le dernier ouvrage de cet historien français spécialiste de l'histoire de l'hygiène de la santé des pratiques corporelles et des représentations

[villes en gironde au moyen Âge exposition aux archives](#) - Dec 25 2021

la robe histoire culturelle du moyen Âge à aujourd'hui youtube - Feb 24 2022

web nov 14 2023 conçue par les archives départementales de la gironde en collaboration avec l'université bordeaux montaigne l'exposition villes en gironde au moyen Âge

robe la une histoire culturelle du moyen Âge À - Jan 06 2023

web nov 2 2017 la robe une histoire culturelle du moyen Âge à aujourd'hui broché georges vigarello achat livre fnac accueil livre art cinéma musique arts

[la robe une histoire culturelle du moyen Âge à aujourd'hui fnac](#) - Nov 04 2022

web nov 2 2017 la robe une histoire culturelle du moyen âge à aujourd'hui de georges vigarello Éditeur seuil livraison gratuite à 0 01 dès 35 d'achat librairie decitre

[la robe georges vigarello beaux livr éditions seuil](#) - Feb 07 2023

web description dans cet ouvrage où une large place est laissée à l'iconographie peintures gravures photographies georges

vigarello s attache à montrer comment l évolution de

robe la une histoire culturelle du moyen Âge À - Aug 01 2022

web nov 4 2021 la robe une histoire culturelle du moyen age à aujourd hui poche georges vigarello note moyenne 1 note donner un avis dans cet ouvrage où une

la robe une histoire culturelle du moyen Âge à aujourd hui - Jun 30 2022

web mar 4 2022 robe la une histoire culturelle du moyen Âge À aujourd hui Éd collector vigarello georges amazon ca books

la robe une histoire culturelle du moyen Âge à aujourd hui - Dec 05 2022

web la robe une histoire culturelle du moyen âge à aujourd hui par georges vigarello aux éditions seuil dans cet ouvrage où une large place est laissée à l iconographie

robe la une histoire culturelle du moyen Âge À - Apr 28 2022

web nov 8 2021 la robe histoire culturelle du moyen Âge à aujourd hui pour acheter le livre présenté dans la chronique livresenfamille fr mode v pour

la robe une histoire culturelle du moyen Âge à aujourd hui - Apr 09 2023

web la robe une histoire culturelle du moyen Âge à aujourd hui le triomphe du dehors 1920 1945 la robe une histoire culturelle du moyen Âge à aujourd hui l image

la robe une histoire culturelle du moyen Âge à aujourd hui fnac - Sep 14 2023

web dans cet ouvrage où une large place est laissée à l iconographie peintures gravures photographies georges vigarello s attache à montrer comment l évolution de la robe

la robe une histoire culturelle du moyen age à aujourd hui - Mar 28 2022

web feb 19 2022 ainsi du moyen age à aujourd hui il retrace cette histoire faite de ruptures et de révolutions pour mettre en lumière combien les profils et les modes suggèrent une

la robe une histoire culturelle du moyen age à aujourd hui - May 30 2022

web dans cet ouvrage où une large place est laissée à l iconographie peintures gravures photographies georges vigarello s attache à montrer comment l évolution de la robe

la robe une histoire culturelle du moyen Âge à - May 10 2023

web nov 2 2017 dans cet ouvrage où une large place est laissée à l iconographie peintures gravures photographies georges vigarello s attache à montrer comment l évolution de

superman vs batman 789 words 123 help me - Jan 19 2022

comparative essay comparison of superman and - Sep 07 2023

web feb 11 2017 batman and superman have a lot more in common than most people think but they do also have differences
batman is superhuman but he is still human

[persuasive essay on batman vs superman 925 words bartleby](#) - Jan 31 2023

web the main factor that tells me that superman is a better superhero is that fact that he actually has powers whereas
batman has to rely on money superman has many

batman vs superman difference and comparison diffen - Dec 30 2022

web for batman it is the joker who as a wicked teenager was the mugger murderer of his parents many spectacular battles
have ensured for both crime fighters and one has

[how is batman better than superman 1522 words cram](#) - May 23 2022

web i can say that superman is better than batman because superman is always ready not like batman batman has to go to
his cave and get his suit and get his batmobile and what if

[i am writing a persuasive speech on why batman is better than](#) - Mar 21 2022

web batman better than superman persuasive essay 1 8 downloaded from uniport edu ng on august 17 2023 by guest batman
better than superman persuasive essay as

batman is better than superman essay best writing service - Nov 16 2021

compare and contrast batman vs superman 725 words cram - Jun 23 2022

web answered by mrinaldass there are three main reasons 1 batman actually has to try one of the most annoying things
about superman is how overpowered he is i mean it s bad

[persuasive essay on batman s phenomenon 85 words bartleby](#) - Sep 26 2022

web compare and contrast batman vs superman improved essays 725 words 3 pages open document essay sample check
writing quality show more everlasting battle batman

a comparison of batman vs superman 311 words - Mar 01 2023

web 908 words 4 pages open document batman vs superman batman vs superman the argument that has divided geeks like
me for decades it also spawned a crappy

batman is better than superman 320 words cram - Feb 17 2022

web if you don t have the time for endless reading then contact our essay writing help online service with essayservice stress
free academic success is a hand away another

[comparison of batman and superman essay example](#) - Jun 04 2023

web feb 27 2023 essay sample a comprehensive analysis of the two most popular superheroes of all time see who comes out

on top when batman and superman are

batman and superman comparison 446 words cram - Jul 25 2022

web i can say that superman is better than batman because superman is always ready not like batman batman has to go to his cave and get his suit and get his batmobile and what if

batman vs superman the best essay ever - Jul 05 2023

web superman has the strength and powers while batman has the advantage in intelligence creativity and certainly technology in the movie superman was trying to talk to

[why batman is the best superhero papersowl com](#) - May 03 2023

web batman is better than superman although superman possesses a body of steel and has lightning speed he is often debated with his allie batman when looking at batman

[essay on superman v batman who is greater bartleby](#) - Oct 28 2022

web about the movie the movies usually feature more action than drama which is more peoples getting love to superman so the conclusion is that i absolutely love

batman vs superman who is better free essay - Aug 06 2023

web batman is superior to superman in some other critical areas when discussing their fictional characterhood mainly batman s better movie portrayals and more entertaining films

[batman vs superman persuasive essay 845 words antiessays](#) - Aug 26 2022

web i think that batman is better than superman for many reasons and i will show you all reasons in this essay i will let you decide which is better batman or superman

persuasive essay on how batman is better than superman - Oct 08 2023

web who is more powerful superman or batman this has been a topic that has been pondered upon throughout the years of dc history well i can surely tell you that

comparing batman and superman who is the better hero free - Apr 02 2023

web persuasive essay on batman vs superman decent essays 925 words 4 pages open document so much anticipation nearly two years of waiting why is it that every time

batman vs superman essay 905 words cram - Apr 21 2022

web batman and superman two household names that strike fear into any evil doers heart if they even have one batman and superman are both wonderful superheroes and they

batman better than superman persuasive essay pdf - Dec 18 2021

[how is batman a better superhero 908 words bartleby](#) - Nov 28 2022

web two great examples of these imaginary heroes are batman and superman both are great super heroes but in my opinion it would seem that batman has the upper hand on

[knights and armor coloring book dover fashion](#) - Oct 09 2023

web buy knights and armour colouring book dover fashion coloring book illustrated by smith a g isbn 0800759248438 from amazon s book store everyday low prices

[knights and armor coloring book knights in armor](#) - Nov 29 2022

web description details q a reviews category description for dover historical coloring books several of these are already listed separately in appropriate places in this

[knights armor coloring book united art education](#) - Dec 31 2022

web knights and armour colouring book dover fashion coloring book smith a g amazon in books

knights and armor coloring book dover fashion coloring book - May 24 2022

web knights and armor coloring book isbn 0486248437 ean13 9780486248431 language english release date may 1 1985 pages 48 dimensions 0 2 h x 10 7 l

knights and armor coloring book by a g smith - Sep 08 2023

web product description product details you can recapture the excitement of yesteryear s noblest battles with this remarkable pageant of dauntless knights and armor in

steam coloring pixels medieval pack - Nov 17 2021

[knights and armor coloring book dover publications](#) - Jun 24 2022

web with this book large coloring images of knights on horses knights with armor castles mansions and princesses too this activity book for young kids will keep them engaged

knights armor abebooks - Feb 18 2022

knights armor coloring book by smith abebooks - Sep 27 2022

web historically accurate renderings of vikings crusaders italian condottiere spanish foot soldiers and luminaries such as richard the lion hearted and henry the viii document

coloring page knight in armor edupics com - Oct 17 2021

knights and armour colouring book dover fashion - Aug 07 2023

web knights and armor coloring book a g smith courier corporation jan 1 1985 juvenile nonfiction 48 pages historically accurate renderings of vikings crusaders

pdf knights and armour colouring book academia edu - Mar 22 2022

web coloring page knight in armor coloring picture knight in armor free coloring sheets to print and download images for schools and education teaching materials img 9442

medieval knights in armor coloring book for kids and adults - Mar 02 2023

web knights and armor coloring book dover fashion coloring book by a g smith and a great selection of related books art and collectibles available now at abebooks com

knights and armor coloring help environment harvard edu - Jan 20 2022

[knights and armor coloring book a g smith google books](#) - Jun 05 2023

web you can recapture the excitement of yesteryear s noblest battles with this remarkable pageant of dauntless knights and armor in coloring book form defend

[knights and armor coloring book dover books](#) - May 04 2023

web 42 reproducible illustrations of warriors knights and the range of protective armor in use in europe from a d 100 to 1640 printed on bright white heavyweight paper that accepts

knights and armour colouring book dover fashion coloring - Jul 26 2022

web knights and armor coloring book dover fashion coloring book by a g smith and a great selection of related books art and collectibles available now at abebooks co uk

9780486248431 knights and armour colouring book dover - Oct 29 2022

web knights and armor coloring book dover fashion coloring book by a g smith isbn 10 0486248437 isbn 13 9780486248431 dover publications 1985 softcover

knights and armor coloring book amazon ca - Apr 03 2023

web knights and armor coloring book dover fashion coloring book by a g smith and a great selection of related books art and collectibles available now at abebooks co uk

knights and armour colouring book dover fashion coloring - Apr 22 2022

web this medieval themed book unlocks 20 additional levels for coloring pixels experience romanticised european history at its finest with this book from knights and armour

buy knights and armor coloring book book by a g smith - Dec 19 2021

knights and armor coloring book dover fashion coloring book - Aug 27 2022

web knights and armour colouring book see full pdf download pdf see full pdf download pdf related papers making an edition in an app barbara bordalejo

knights and armor coloring book dover publications - Jul 06 2023

web sep 18 2014 the medieval knights in armor coloring book for kids and adults is full of medieval knights anyone who loves knights and jousting will love the armor clad

knights and armor coloring book paperback barnes noble - Feb 01 2023

web more than 40 dramatic plates specially designed for you to color portray the wide range of protective armor in use in europe from about a d 100 to 1640 the attire of vikings