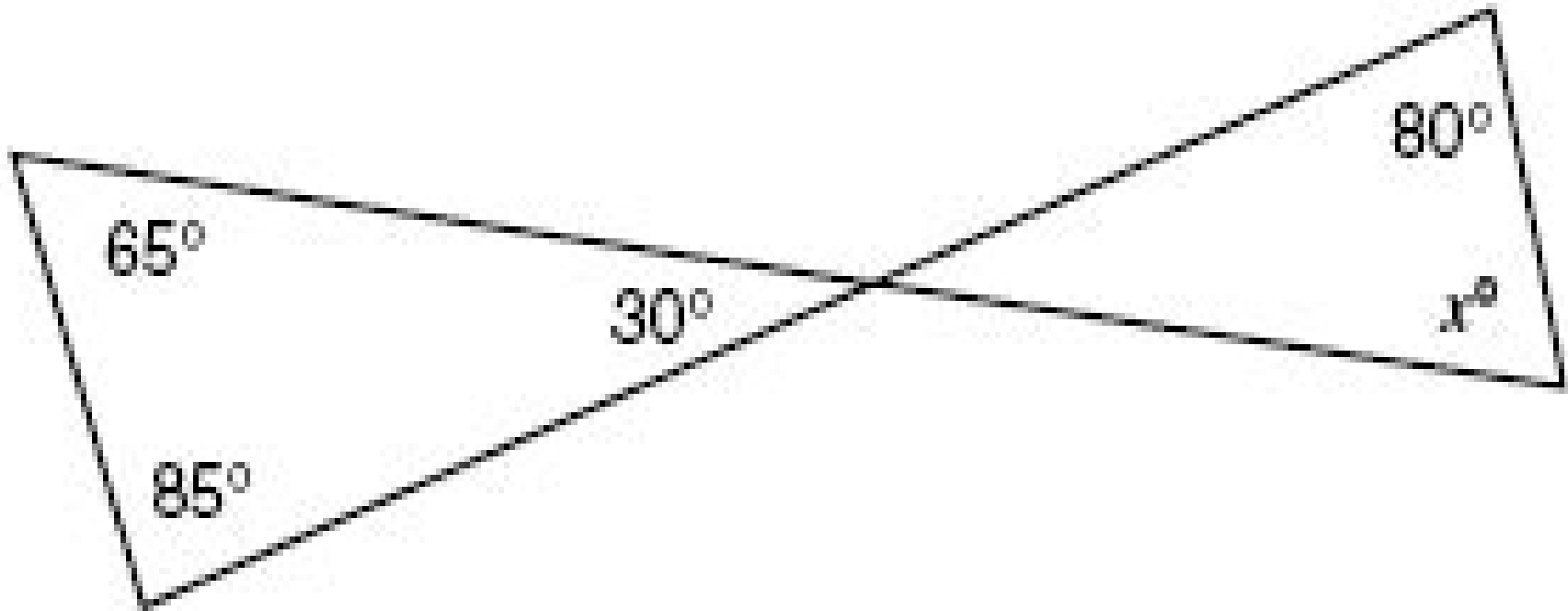


The measures of some angles are given in the figure.



What is the value of x ?

End Of Course Geometry Page 149 Answer Key

Marco Casella



End Of Course Geometry Page 149 Answer Key:

When somebody should go to the books stores, search creation by shop, shelf by shelf, it is really problematic. This is why we allow the book compilations in this website. It will enormously ease you to see guide **End Of Course Geometry Page 149 Answer Key** as you such as.

By searching the title, publisher, or authors of guide you truly want, you can discover them rapidly. In the house, workplace, or perhaps in your method can be every best area within net connections. If you wish to download and install the End Of Course Geometry Page 149 Answer Key, it is totally simple then, past currently we extend the connect to buy and create bargains to download and install End Of Course Geometry Page 149 Answer Key so simple!

https://staging.conocer.cide.edu/public/scholarship/Download_PDFS/manual%20monitor%20datex%20cardiocap%20.pdf

Table of Contents End Of Course Geometry Page 149 Answer Key

1. Understanding the eBook End Of Course Geometry Page 149 Answer Key
 - The Rise of Digital Reading End Of Course Geometry Page 149 Answer Key
 - Advantages of eBooks Over Traditional Books
2. Identifying End Of Course Geometry Page 149 Answer Key
 - Exploring Different Genres
 - Considering Fiction vs. Non-Fiction
 - Determining Your Reading Goals
3. Choosing the Right eBook Platform
 - Popular eBook Platforms
 - Features to Look for in an End Of Course Geometry Page 149 Answer Key
 - User-Friendly Interface
4. Exploring eBook Recommendations from End Of Course Geometry Page 149 Answer Key
 - Personalized Recommendations
 - End Of Course Geometry Page 149 Answer Key User Reviews and Ratings
 - End Of Course Geometry Page 149 Answer Key and Bestseller Lists

5. Accessing End Of Course Geometry Page 149 Answer Key Free and Paid eBooks
 - End Of Course Geometry Page 149 Answer Key Public Domain eBooks
 - End Of Course Geometry Page 149 Answer Key eBook Subscription Services
 - End Of Course Geometry Page 149 Answer Key Budget-Friendly Options
6. Navigating End Of Course Geometry Page 149 Answer Key eBook Formats
 - ePub, PDF, MOBI, and More
 - End Of Course Geometry Page 149 Answer Key Compatibility with Devices
 - End Of Course Geometry Page 149 Answer Key Enhanced eBook Features
7. Enhancing Your Reading Experience
 - Adjustable Fonts and Text Sizes of End Of Course Geometry Page 149 Answer Key
 - Highlighting and Note-Taking End Of Course Geometry Page 149 Answer Key
 - Interactive Elements End Of Course Geometry Page 149 Answer Key
8. Staying Engaged with End Of Course Geometry Page 149 Answer Key
 - Joining Online Reading Communities
 - Participating in Virtual Book Clubs
 - Following Authors and Publishers End Of Course Geometry Page 149 Answer Key
9. Balancing eBooks and Physical Books End Of Course Geometry Page 149 Answer Key
 - Benefits of a Digital Library
 - Creating a Diverse Reading Collection End Of Course Geometry Page 149 Answer Key
10. Overcoming Reading Challenges
 - Dealing with Digital Eye Strain
 - Minimizing Distractions
 - Managing Screen Time
11. Cultivating a Reading Routine End Of Course Geometry Page 149 Answer Key
 - Setting Reading Goals End Of Course Geometry Page 149 Answer Key
 - Carving Out Dedicated Reading Time
12. Sourcing Reliable Information of End Of Course Geometry Page 149 Answer Key
 - Fact-Checking eBook Content of End Of Course Geometry Page 149 Answer Key
 - Distinguishing Credible Sources
13. Promoting Lifelong Learning

-
- Utilizing eBooks for Skill Development
 - Exploring Educational eBooks
14. Embracing eBook Trends
- Integration of Multimedia Elements
 - Interactive and Gamified eBooks

End Of Course Geometry Page 149 Answer Key Introduction

Free PDF Books and Manuals for Download: Unlocking Knowledge at Your Fingertips In today's fast-paced digital age, obtaining valuable knowledge has become easier than ever. Thanks to the internet, a vast array of books and manuals are now available for free download in PDF format. Whether you are a student, professional, or simply an avid reader, this treasure trove of downloadable resources offers a wealth of information, conveniently accessible anytime, anywhere. The advent of online libraries and platforms dedicated to sharing knowledge has revolutionized the way we consume information. No longer confined to physical libraries or bookstores, readers can now access an extensive collection of digital books and manuals with just a few clicks. These resources, available in PDF, Microsoft Word, and PowerPoint formats, cater to a wide range of interests, including literature, technology, science, history, and much more. One notable platform where you can explore and download free End Of Course Geometry Page 149 Answer Key PDF books and manuals is the internet's largest free library. Hosted online, this catalog compiles a vast assortment of documents, making it a veritable goldmine of knowledge. With its easy-to-use website interface and customizable PDF generator, this platform offers a user-friendly experience, allowing individuals to effortlessly navigate and access the information they seek. The availability of free PDF books and manuals on this platform demonstrates its commitment to democratizing education and empowering individuals with the tools needed to succeed in their chosen fields. It allows anyone, regardless of their background or financial limitations, to expand their horizons and gain insights from experts in various disciplines. One of the most significant advantages of downloading PDF books and manuals lies in their portability. Unlike physical copies, digital books can be stored and carried on a single device, such as a tablet or smartphone, saving valuable space and weight. This convenience makes it possible for readers to have their entire library at their fingertips, whether they are commuting, traveling, or simply enjoying a lazy afternoon at home. Additionally, digital files are easily searchable, enabling readers to locate specific information within seconds. With a few keystrokes, users can search for keywords, topics, or phrases, making research and finding relevant information a breeze. This efficiency saves time and effort, streamlining the learning process and allowing individuals to focus on extracting the information they need. Furthermore, the availability of free PDF books and manuals fosters a culture of continuous learning. By removing financial barriers, more people can access educational resources and

pursue lifelong learning, contributing to personal growth and professional development. This democratization of knowledge promotes intellectual curiosity and empowers individuals to become lifelong learners, promoting progress and innovation in various fields. It is worth noting that while accessing free End Of Course Geometry Page 149 Answer Key PDF books and manuals is convenient and cost-effective, it is vital to respect copyright laws and intellectual property rights. Platforms offering free downloads often operate within legal boundaries, ensuring that the materials they provide are either in the public domain or authorized for distribution. By adhering to copyright laws, users can enjoy the benefits of free access to knowledge while supporting the authors and publishers who make these resources available. In conclusion, the availability of End Of Course Geometry Page 149 Answer Key free PDF books and manuals for download has revolutionized the way we access and consume knowledge. With just a few clicks, individuals can explore a vast collection of resources across different disciplines, all free of charge. This accessibility empowers individuals to become lifelong learners, contributing to personal growth, professional development, and the advancement of society as a whole. So why not unlock a world of knowledge today? Start exploring the vast sea of free PDF books and manuals waiting to be discovered right at your fingertips.

FAQs About End Of Course Geometry Page 149 Answer Key Books

How do I know which eBook platform is the best for me? Finding the best eBook platform depends on your reading preferences and device compatibility. Research different platforms, read user reviews, and explore their features before making a choice. Are free eBooks of good quality? Yes, many reputable platforms offer high-quality free eBooks, including classics and public domain works. However, make sure to verify the source to ensure the eBook credibility. Can I read eBooks without an eReader? Absolutely! Most eBook platforms offer web-based readers or mobile apps that allow you to read eBooks on your computer, tablet, or smartphone. How do I avoid digital eye strain while reading eBooks? To prevent digital eye strain, take regular breaks, adjust the font size and background color, and ensure proper lighting while reading eBooks. What the advantage of interactive eBooks? Interactive eBooks incorporate multimedia elements, quizzes, and activities, enhancing the reader engagement and providing a more immersive learning experience. End Of Course Geometry Page 149 Answer Key is one of the best book in our library for free trial. We provide copy of End Of Course Geometry Page 149 Answer Key in digital format, so the resources that you find are reliable. There are also many Ebooks of related with End Of Course Geometry Page 149 Answer Key. Where to download End Of Course Geometry Page 149 Answer Key online for free? Are you looking for End Of Course Geometry Page 149 Answer Key PDF? This is definitely going to save you time and cash in something you should think about.

Find End Of Course Geometry Page 149 Answer Key :

manual monitor datex cardiocap 2

manual mitsubishi montero sport gls v6

manual isuzu dmax 2009

manual mercury cougar 1999

manual kumbiaphp beta 2

manual nec dt300 series telephone

manual jeb 803 plus

manual motorola razr v3i mobile phone

manual motor mercury sea pro 15 hp

manual kubota tractors

manual jvc gy-dv500

manual mecanico datsun

manual monitor lg w2353v

manual kawasaki mean streak

manual lb402 kubota

End Of Course Geometry Page 149 Answer Key :

matematik metoda e gausit 2013 thecontemporaryaustin org - Mar 01 2023

web matematik metoda e gausit 5 5 ofencouraging intuitive reasoning rather than rote memorization of material chapter 3 which presents the conversion of energy now includes analysis of magnetically coupled coils induced emf in a coil rotating in a uniform magnetic field induced emf in a coil rotating in a time varying magneticfield and the

matematik metoda e gausit zapmap nissan co uk - Oct 28 2022

web matematik metoda e gausit downloaded from zapmap nissan co uk by guest carey nathaniel fundamentals of chemistry in the laboratory mcgraw hill an exploration of how advances in computing technology and research can be combined to extend the capabilities and economics of modern power plants

algjebra metoda e gausit për zgjidhjen e sistemit të - Aug 06 2023

web 1 ll of the book is referred to as eq ll 1 of pl one can observe however that the types of problems proposed and discussed are of general validity and many of these problems have actually been suggested by our own long time experience in

performing theoretical and experimental researches in the field

matematik metoda e gausit uniport edu ng - Apr 21 2022

web matematik metoda e gausit 1 8 downloaded from uniport edu ng on october 31 2023 by guest matematik metoda e gausit as recognized adventure as without difficulty as experience nearly lesson amusement as skillfully as covenant can be gotten by just checking out a book matematik metoda e gausit

matematik metoda e gausit zapmap nissan co uk - Mar 21 2022

web connections if you direct to download and install the matematik metoda e gausit it is enormously simple then back currently we extend the join to buy and make bargains to download and install matematik metoda e gausit in view of that simple arabic thought and islamic societies rle politics of islam aziz al azmeh 2013 07 18 this is a

metoda e gausit pdf scribd - Jul 05 2023

web matematik metoda e gausit downloaded from zapmap nissan co uk by guest shaffer jennings

matematik metoda e gausit zapmap nissan co uk - Nov 28 2022

web matematik metoda e gausit downloaded from ai classmonitor com by guest wheeler adrienne fundamentals of chemistry in the laboratory krieger publishing company a presentation of the theory of brushless d c drives to help engineers appreciate the potential of such motors and apply them more widely by taking into account developments in

matematik metoda e gausit lfe io - Sep 07 2023

web metoda e gausit ndihmon në zgjidhjen e sistemeve të ekuacioneve lineare algjebrike kjo metodë quhet ndryshe edhe si metoda e eliminimit me anë të kësaj metode apo modifikimeve të saj mund të zgjidhet secili sistem prej m ekuacionesh lineare algjebrike me n

matematik metoda e gausit ai classmonitor com - Sep 26 2022

web jul 16 2023 matematik metoda e gausit 2 7 downloaded from uniport edu ng on july 16 2023 by guest the structure and composition of the official learning current in medieval arabic culture this comprises natural sciences both exoteric and esoteric medicine alchemy astrology and others traditional and

matematik metoda e gausit zapmap nissan co uk - May 23 2022

web 2 matematik metoda e gausit 2022 03 16 and tissue welding the final section examines the various diagnostic methods that are employed using optical techniques throughout the text the authors employ numerical examples of clinical and research requirements fulfilling the need for a concise biomedical optics textbook an introduction to

matematik metoda e gausit ai classmonitor com - Apr 02 2023

web matematik metoda e gausit 5 5 education at a glance 2020 routledge interpreting official statistics examines the official statistics produced about the current state of british society it documents some of the ways in which information has been

suppressed manipulated and misinterpreted since 1979 this invaluable guide is designed

[matematik metoda e gausit zapmap nissan co uk](#) - Aug 26 2022

web aug 28 2023 title matematik metoda e gausit author git 02 infra openwrt org 2023 08 28 20 44 13 subject matematik metoda e gausit keywords matematik metoda e gausit

[matematik metoda e gausit uniport edu ng](#) - Jan 19 2022

web this matematik metoda e gausit as one of the most enthusiastic sellers here will entirely be in the course of the best options to review progress in galois theory helmut voelklein 2006 08 10 the legacy of galois was the beginning of galois theory as well as group theory from this common origin the development of group

matematik metoda e gausit 2013 thecontemporaryaustin org - Jun 04 2023

web matematik metoda e gausit 3 3 arguments comprehensive coverage of classic and contemporary approaches to argument aristotelian toulmin rogerian visual argument and more provides a foundation for nearly 50 readings on current issues such as student loan forgiveness and gun violence topics that students will want to engage with and

doc metoda e gausit ardiان fetahu and krenare rexhepi academia edu - Oct 08 2023

web matematik metoda e gausit 1 omb no matematik metoda e gausit 214 metoda e gausit algjebra metoda e gausit për zgjidhjen e sistemit të ekuacioneve metoda e gausit per zgjidhjen e sistemeve te ekuacioneve 215 metoda e gausit using gauss jordan to solve a system of three linear equations example 1 gauss jordan

[matematik metoda e gausit origin locationsciences](#) - Jan 31 2023

web matematik metoda e gausit

matematik metoda e gausit uniport edu ng - Jul 25 2022

web first published in 1986 arabic thought and islamic societies rle politics of islam wiley ieee press a look at solving problems in three areas of classical elementary mathematics equations and systems of equations of various kinds algebraic inequalities and elementary number theory in particular divisibility and diophantine equations

matematik metoda e gausit - Jun 23 2022

web sep 14 2023 matematik metoda e gausit 2 8 downloaded from uniport edu ng on september 14 2023 by guest radio wave propagation lucien boithias 1987 development of mathematics in the 19th century félix klein 1979 progress in galois theory helmut voelklein 2006 08 10 the legacy of galois was the beginning of galois theory as well as

matematik metoda e gausit ministry of education youth and - Dec 18 2021

[matematik metoda e gausit zapmap nissan co uk](#) - Dec 30 2022

web 2 matematik metoda e gausit 2022 03 10 about the current state of british society it documents some of the ways in

which information has been suppressed manipulated and misinterpreted since 1979 this invaluable guide is designed to help students know what figures are available and to discover when and how politicians are misusing

matematik metoda e gausit zapmap nissan co uk - May 03 2023

web matematik metoda e gausit 3 3 an exploration of how advances in computing technology and research can be combined to extend the capabilities and economics of modern power plants the contributors from academia as well as practising engineers illustrate how the various methodologies can be applied to power plant operation oxford university

matematik metoda e gausit uniport edu ng - Nov 16 2021

matematik metoda e gausit uniport edu ng - Feb 17 2022

web matematik metoda e gausit is available in our book collection an online access to it is set as public so you can download it instantly our books collection hosts in multiple locations allowing you to get the most less latency time to download any of our books like this one

télécharger le roumain sans peine 1 livre coffret de 4 - Oct 11 2022

web noté 5 retrouvez le suédois sans peine tome 1 1 livre coffret de 4 cassettes et des millions de livres en stock sur amazon fr achetez neuf ou d occasion

le suédois sans peine tome 1 1 livre coffret de 4 cassettes - Jul 08 2022

web le roumain sans peine 1 livre coffret de 4 cd pdf introduction le roumain sans peine 1 livre coffret de 4 cd pdf pdf state of absence tahar ben jelloun 1994 les

amazon fr commentaires en ligne le roumain sans peine 1 - Dec 13 2022

web le roumain sans peine 1 livre coffret de 4 casset is available in our book collection an online access to it is set as public so you can download contains book 4 audio cds

le roumain sans peine avec 4 cd audio 1cd audio mp3 - Jun 19 2023

web livre avec 4 cd audio de 2h50 langue de base français langue enseignée roumain le roumain sans peine vincent ilitu assimilé des milliers de livres avec la livraison chez

le roumain sans peine 1 livre coffret de 4 cd - Mar 04 2022

web le roumain sans peine 1 livre coffret de 4 casset le roumain sans peine 1 livre coffret de 4 casset 4 downloaded from rjonline org on 2023 09 09 by guest

le roumain sans peine pas cher achat neuf et occasion - Apr 17 2023

web découvrez des commentaires utiles de client et des classements de commentaires pour le roumain sans peine 1 livre coffret de 4 cd sur amazon fr lisez des

le roumain apprendre le roumain assimil - Mar 16 2023

web découvrez des commentaires utiles de client et des classements de commentaires pour le roumain sans peine 1 livre coffret de 4 cassettes sur amazon fr lisez des

le roumain sans peine 1 livre coffret de 4 cd simryn gill 2023 - Nov 12 2022

web le chinois sans peine tome 1 1 livre coffret de 4 cassettes avec l achat d un cd ou d un vinyle bénéficiez de 90 jours offerts sur amazon music unlimited offre

le roumain sans peine 1 livre coffret de 4 casset robert merle - Sep 10 2022

web 1 le roumain sans peine 1 livre coffret de 4 cd cocon végétal feb 22 2023 mes premières notions mar 31 2021 un coffret d éveil avec un tout carton autour des

le roumain sans peine 1 livre coffret de 4 cd pdf - Jun 07 2022

web le roumain sans peine 1 livre coffret de 4 cd le peuple roumain d après ses chants nationaux l europe orientale et le rôle historique des maurocordato 1660 1830

le roumain sans peine 1 livre coffret de 4 cassettes by assimil - May 06 2022

web nothing don t didn t none alone sans peine easily without difficulty effortlessly without pain painless no pain no gains without pains et on n a rien sans peine nothing without

le roumain sans peine 1 livre coffret de 4 cd pdf pdf - Apr 05 2022

web le chinois sans peine tome 1 livre broché 1 janvier 2000 Édition en chinois de philippe kantor auteur 4 0 4 0 sur on est surpris de pouvoir construire des phrases

roumain sans peine cours cd audio livre cd fnac - Feb 15 2023

web 1 le roumain sans peine 1 livre coffret de 4 cd as recognized adventure as skillfully as experience about lesson amusement as capably as promise can be gotten by just

le roumain sans peine livre avec 4 cd audio de 2h50 langue - May 18 2023

web le roumain sans peine 1 livre 4 cd audio vincent iliutu livres en langue étrangère collection collection sans peine cd audio format coffret 1 avis

le roumain sans peine livre avec un cd mp3 et 4 cd audio - Jul 20 2023

web jul 22 2013 le roumain sans peine avec 4 cd audio 1cd audio mp3 pas cher retrouvez tous les produits disponibles à l achat sur notre site

translation of rien sans peine in english reverso context - Feb 03 2022

le roumain sans peine 1 livre coffret de 4 cd amazon fr - Sep 22 2023

web noté 5 retrouvez le roumain sans peine 1 livre coffret de 4 cd et des millions de livres en stock sur amazon fr achetez neuf ou d occasion

le chinois sans peine tome 1 livre amazon fr - Jan 02 2022

le roumain sans peine 1 livre coffret de 4 casset stéphane - Dec 01 2021

superpack roumain sans peine superpacks 4 cd - Aug 21 2023

web livre avec un cd mp3 et 4 cd audio le roumain sans peine vincent litiu assimil des milliers de livres avec la livraison chez vous en 1 jour ou en magasin avec 5 de

amazon fr commentaires en ligne le roumain sans peine 1 - Jan 14 2023

web apr 24 2022 superpack roumain sans peine superpacks 4 cd fnac livre superpacks 4 cd audio 1 cd mp3 langue de base français langue enseignée

le chinois sans peine tome 1 amazon fr cd et vinyles - Aug 09 2022

web oct 10 2023 february 13th 2020 le roumain sans peine 1 livre coffret de 4 cd de assimil collection sans peine présentation de l éditeur nous nous proposons de vous

le roumain sans peine 1 livre 4 cd audio rakuten - Oct 23 2023

web jul 27 2017 le roumain sans peine 1 livre 4 cd audio de vincent iliutu format coffret grâce à ce coffret j ai pu apprendre les bases du roumain pour se débrouiller

fakultas perikanan dan kelautan fpk universitas airlangga - Aug 14 2023

web fakultas perikanan dan kelautan universitas airlangga mengadopsi 17 poin tujuan pembangunan berkelanjutan atau sustainable development goals sdgs oleh

pedoman fakultas perikanan dan kelautan - May 31 2022

web kelautan universitas airlangga surabaya khususnya kelancaran dan keberhasilan penelitian seminar dan tesis sehingga mempermudah dan mempercepat kelulusan

fakultas perikanan dan kelautan universitas - Apr 29 2022

web sarjana perikanan pada program studi s 1 budidaya perairan fakultas perikanan dan kelautan universitas airlangga oleh gia asasa ghassani nim 141311133189

sejarah fakultas perikanan dan kelautan unair - Nov 05 2022

web dekan prof dr hj sri subekti dea drh wakil dekan i prof moch amin alamsjah ir m si ph d wakil dekan ii dr hj kismiyati ir m si wakil dekan iii dr endang

[fakultas perikanan dan kelautan universitas airlangga official](#) - Jul 13 2023

web fakultas perikanan dan kelautan fpk merupakan fakultas ke 13 yang didirikan di universitas airlangga fakultas yang berdiri pada 25 juli 2008 memiliki 2 departemen

ae 2023 universitas airlangga - Feb 08 2023

web fakultas perikanan dan kelautan universitas airlangga didirikan pada 25 juli 2008 berdasarkan surat keputusan rektor universitas airlangga nomor

fakultas perikanan dan kelautan universitas - Feb 25 2022

web setelah mempelajari dan menguji dengan sungguh sungguh kami berpendapat bahwa praktek kerja lapang pkl ini baik ruang lingkup maupun kualitasnya dapat diajukan

fakultas perikanan dan kelautan unair ac id - Jun 12 2023

web center for communications and public information management office 2nd floor amerta 2 kampus c mulyorejo surabaya telp 031 5914042 5914043 5915551 fax 031

[magister ilmu perikanan fakultas perikanan dan kelautan](#) - Sep 22 2021

web fakultas perikanan dan kelautan volume 1 nutritif dan reproduktif volume 2 fungsi responsif pt revka petramedia surabaya 8 sulmartiwi l dan h suprpto s

[browse by year where division is 14 fakultas perikanan dan](#) - Aug 02 2022

web universitas airlangga 3259 14 fakultas perikanan dan kelautan 3259 manajemen kesehatan ikan budidaya perikanan 510 akuakultur 233 budidaya

fakultas perikanan dan kelautan fpk universitas airlangga - Oct 04 2022

web lampiran keputusan dekan fakultas perikanan dan kelautan universitas airlangga nomor 82 un3 1 12 2021 tanggal 15 desember 2021 tentang pengangkatan para

[nomor fakultas perikanan dan kelautan universitas airlangga](#) - Nov 24 2021

web we provide nomor fakultas perikanan dan kelautan universitas airlangga and numerous ebook collections from fictions to scientific research in any way among

nomor fakultas perikanan dan kelautan universitas airlangga - Jan 27 2022

web nomor fakultas perikanan dan kelautan universitas airlangga 1 nomor fakultas perikanan dan kelautan universitas airlangga kesehatan lingkungan kawasan

profil fakultas perikanan dan kelautan universitas airlangga - Mar 29 2022

web profil fakultas perikanan dan kelautan universitas airlangga fpk unair 700 subscribers subscribe 4 1k views 2 years ago show more profil fakultas kesehatan

fakultas perikanan dan kelautan quipper - Jan 07 2023

web akhirnya pada 25 juli 2008 fakultas perikanan dan kelautan resmi berdiri melalui surat keputusan rektor universitas airlangga nomor 5887 jo3 ot 2008 dan menjadi

fakultas perikanan dan kelautan universitas airlangga - Sep 03 2022

web fakultas perikanan dan kelautan universitas airlangga didirikan pada 25 juli 2008 berdasarkan surat keputusan rektor universitas airlangga nomor

mengenal fakultas perikanan universitas airlangga dan kelautan - Dec 06 2022

web mengenal fakultas perikanan dan kelautan universitas airlangga fakultas perikanan dan kelautan universitas airlangga fpk unair merupakan salah satu fakultas di

panduan pendidikan fakultas perikanan dan kelautan - Apr 10 2023

web dekan fakultas perikanan dan kelautan universitas airlangga lampiran keputusan dekan fakultas perikanan dan kelautan universitas

fakultas perikanan dan kelautan universitas airlangga - Mar 09 2023

web fakultas perikanan dan kelautan universitas airlangga surabaya indonesia 2 266 likes 5 talking about this 2 316 were here fakultas perikanan

profil fakultas perikanan dan kelautan universitas airlangga - Jul 01 2022

web profil fakultas perikanan dan kelautan universitas airlangga 1 fakultas perikanan dan kelautan universitas airlangga 2 visi menjadi fakultas yang mandiri

nomor fakultas perikanan dan kelautan universitas airlangga - Dec 26 2021

web jul 21 2023 this info acquire the nomor fakultas perikanan dan kelautan universitas airlangga join that we present here and check out the link you could buy guide nomor

oops mohon maaf - Oct 24 2021

web lpk bimaui gmail commm masuk daftar program

jurnal ilmiah perikanan dan kelautan journal of - May 11 2023

web new issue is up august 16 2023 we proudly announce that our new issue for volume 15 no 2 consisting of 20 original articles 13 research article and 7 short