

8

7

6

5

4

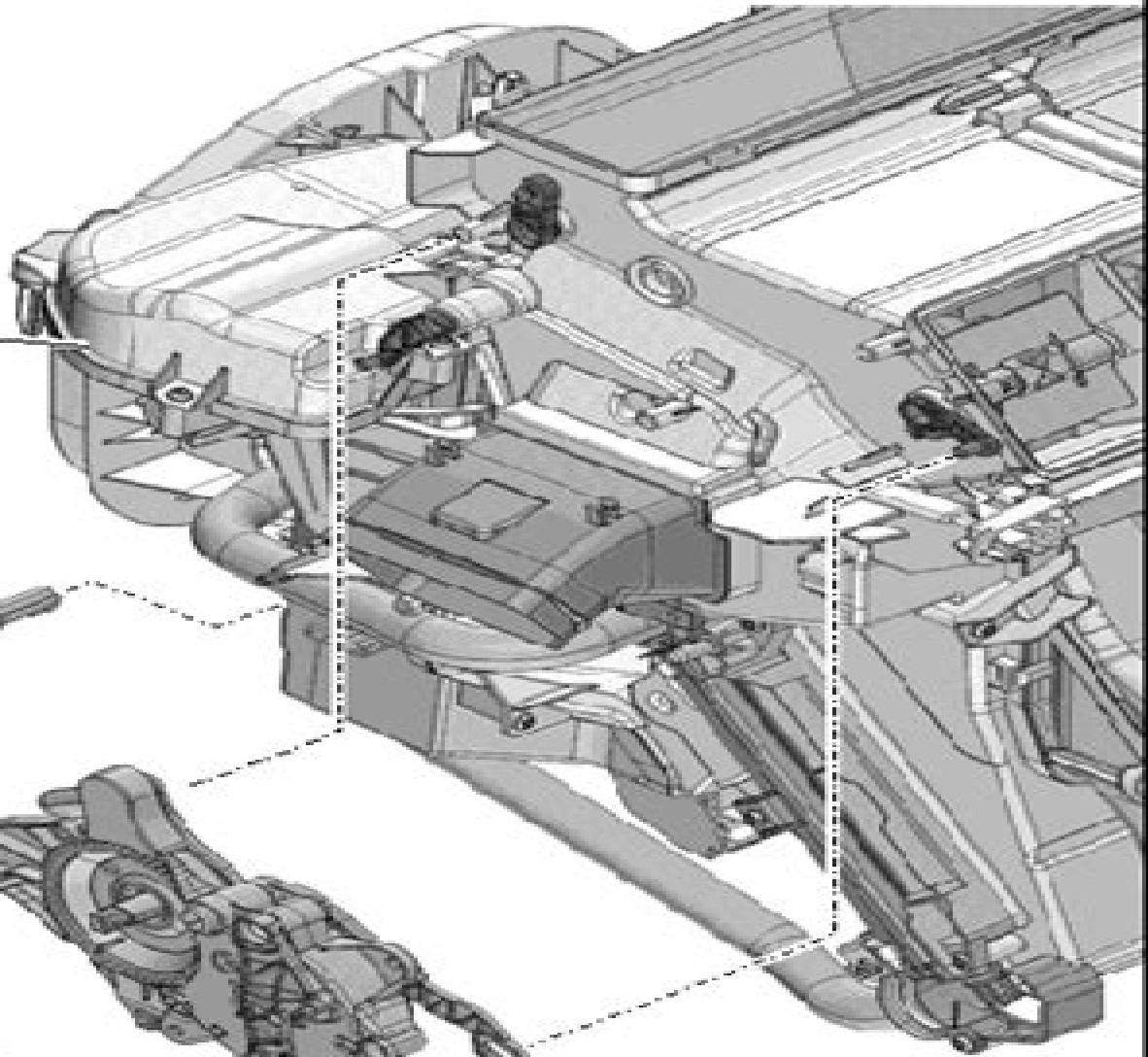
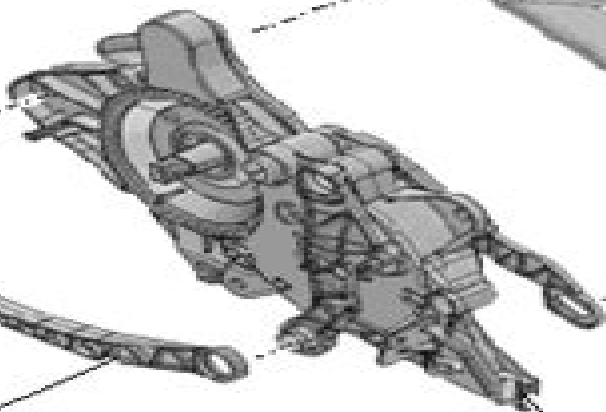
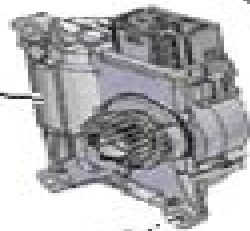
3

2

1

9

A87-11 367



Golf Heater System User Guide

Pasquale De Marco



Golf Heater System User Guide:

The Enigmatic Realm of **Golf Heater System User Guide**: Unleashing the Language is Inner Magic

In a fast-paced digital era where connections and knowledge intertwine, the enigmatic realm of language reveals its inherent magic. Its capacity to stir emotions, ignite contemplation, and catalyze profound transformations is nothing lacking extraordinary. Within the captivating pages of **Golf Heater System User Guide** a literary masterpiece penned by way of a renowned author, readers attempt a transformative journey, unlocking the secrets and untapped potential embedded within each word. In this evaluation, we shall explore the book's core themes, assess its distinct writing style, and delve into its lasting affect the hearts and minds of people who partake in its reading experience.

<https://staging.conocer.cide.edu/data/virtual-library/Documents/job%20preparation%20reintegrating%20after%20traumatic%20life%20experiences%201%20book%20.pdf>

Table of Contents Golf Heater System User Guide

1. Understanding the eBook Golf Heater System User Guide
 - The Rise of Digital Reading Golf Heater System User Guide
 - Advantages of eBooks Over Traditional Books
2. Identifying Golf Heater System User Guide
 - Exploring Different Genres
 - Considering Fiction vs. Non-Fiction
 - Determining Your Reading Goals
3. Choosing the Right eBook Platform
 - Popular eBook Platforms
 - Features to Look for in an Golf Heater System User Guide
 - User-Friendly Interface
4. Exploring eBook Recommendations from Golf Heater System User Guide
 - Personalized Recommendations
 - Golf Heater System User Guide User Reviews and Ratings

- Golf Heater System User Guide and Bestseller Lists
- 5. Accessing Golf Heater System User Guide Free and Paid eBooks
 - Golf Heater System User Guide Public Domain eBooks
 - Golf Heater System User Guide eBook Subscription Services
 - Golf Heater System User Guide Budget-Friendly Options
- 6. Navigating Golf Heater System User Guide eBook Formats
 - ePub, PDF, MOBI, and More
 - Golf Heater System User Guide Compatibility with Devices
 - Golf Heater System User Guide Enhanced eBook Features
- 7. Enhancing Your Reading Experience
 - Adjustable Fonts and Text Sizes of Golf Heater System User Guide
 - Highlighting and Note-Taking Golf Heater System User Guide
 - Interactive Elements Golf Heater System User Guide
- 8. Staying Engaged with Golf Heater System User Guide
 - Joining Online Reading Communities
 - Participating in Virtual Book Clubs
 - Following Authors and Publishers Golf Heater System User Guide
- 9. Balancing eBooks and Physical Books Golf Heater System User Guide
 - Benefits of a Digital Library
 - Creating a Diverse Reading Collection Golf Heater System User Guide
- 10. Overcoming Reading Challenges
 - Dealing with Digital Eye Strain
 - Minimizing Distractions
 - Managing Screen Time
- 11. Cultivating a Reading Routine Golf Heater System User Guide
 - Setting Reading Goals Golf Heater System User Guide
 - Carving Out Dedicated Reading Time
- 12. Sourcing Reliable Information of Golf Heater System User Guide
 - Fact-Checking eBook Content of Golf Heater System User Guide
 - Distinguishing Credible Sources

13. Promoting Lifelong Learning
 - Utilizing eBooks for Skill Development
 - Exploring Educational eBooks
14. Embracing eBook Trends
 - Integration of Multimedia Elements
 - Interactive and Gamified eBooks

Golf Heater System User Guide Introduction

Golf Heater System User Guide Offers over 60,000 free eBooks, including many classics that are in the public domain. Open Library: Provides access to over 1 million free eBooks, including classic literature and contemporary works. Golf Heater System User Guide Offers a vast collection of books, some of which are available for free as PDF downloads, particularly older books in the public domain. Golf Heater System User Guide : This website hosts a vast collection of scientific articles, books, and textbooks. While it operates in a legal gray area due to copyright issues, its a popular resource for finding various publications. Internet Archive for Golf Heater System User Guide : Has an extensive collection of digital content, including books, articles, videos, and more. It has a massive library of free downloadable books. Free-eBooks Golf Heater System User Guide Offers a diverse range of free eBooks across various genres. Golf Heater System User Guide Focuses mainly on educational books, textbooks, and business books. It offers free PDF downloads for educational purposes. Golf Heater System User Guide Provides a large selection of free eBooks in different genres, which are available for download in various formats, including PDF. Finding specific Golf Heater System User Guide, especially related to Golf Heater System User Guide, might be challenging as theyre often artistic creations rather than practical blueprints. However, you can explore the following steps to search for or create your own Online Searches: Look for websites, forums, or blogs dedicated to Golf Heater System User Guide, Sometimes enthusiasts share their designs or concepts in PDF format. Books and Magazines Some Golf Heater System User Guide books or magazines might include. Look for these in online stores or libraries. Remember that while Golf Heater System User Guide, sharing copyrighted material without permission is not legal. Always ensure youre either creating your own or obtaining them from legitimate sources that allow sharing and downloading. Library Check if your local library offers eBook lending services. Many libraries have digital catalogs where you can borrow Golf Heater System User Guide eBooks for free, including popular titles. Online Retailers: Websites like Amazon, Google Books, or Apple Books often sell eBooks. Sometimes, authors or publishers offer promotions or free periods for certain books. Authors Website Occasionally, authors provide excerpts or short stories for free on their websites. While this might not be the Golf Heater System User Guide full book , it can give you a taste of the authors writing style. Subscription Services Platforms like Kindle Unlimited or

Scribd offer subscription-based access to a wide range of Golf Heater System User Guide eBooks, including some popular titles.

FAQs About Golf Heater System User Guide Books

How do I know which eBook platform is the best for me? Finding the best eBook platform depends on your reading preferences and device compatibility. Research different platforms, read user reviews, and explore their features before making a choice. Are free eBooks of good quality? Yes, many reputable platforms offer high-quality free eBooks, including classics and public domain works. However, make sure to verify the source to ensure the eBook credibility. Can I read eBooks without an eReader? Absolutely! Most eBook platforms offer webbased readers or mobile apps that allow you to read eBooks on your computer, tablet, or smartphone. How do I avoid digital eye strain while reading eBooks? To prevent digital eye strain, take regular breaks, adjust the font size and background color, and ensure proper lighting while reading eBooks. What the advantage of interactive eBooks? Interactive eBooks incorporate multimedia elements, quizzes, and activities, enhancing the reader engagement and providing a more immersive learning experience. Golf Heater System User Guide is one of the best book in our library for free trial. We provide copy of Golf Heater System User Guide in digital format, so the resources that you find are reliable. There are also many Ebooks of related with Golf Heater System User Guide. Where to download Golf Heater System User Guide online for free? Are you looking for Golf Heater System User Guide PDF? This is definitely going to save you time and cash in something you should think about. If you trying to find then search around for online. Without a doubt there are numerous these available and many of them have the freedom. However without doubt you receive whatever you purchase. An alternate way to get ideas is always to check another Golf Heater System User Guide. This method for see exactly what may be included and adopt these ideas to your book. This site will almost certainly help you save time and effort, money and stress. If you are looking for free books then you really should consider finding to assist you try this. Several of Golf Heater System User Guide are for sale to free while some are payable. If you arent sure if the books you would like to download works with for usage along with your computer, it is possible to download free trials. The free guides make it easy for someone to free access online library for download books to your device. You can get free download on free trial for lots of books categories. Our library is the biggest of these that have literally hundreds of thousands of different products categories represented. You will also see that there are specific sites catered to different product types or categories, brands or niches related with Golf Heater System User Guide. So depending on what exactly you are searching, you will be able to choose e books to suit your own need. Need to access completely for Campbell Biology Seventh Edition book? Access Ebook without any digging. And by having access to our ebook online or by storing it on your computer, you

have convenient answers with Golf Heater System User Guide To get started finding Golf Heater System User Guide, you are right to find our website which has a comprehensive collection of books online. Our library is the biggest of these that have literally hundreds of thousands of different products represented. You will also see that there are specific sites catered to different categories or niches related with Golf Heater System User Guide So depending on what exactly you are searching, you will be able to choose ebook to suit your own need. Thank you for reading Golf Heater System User Guide. Maybe you have knowledge that, people have search numerous times for their favorite readings like this Golf Heater System User Guide, but end up in harmful downloads. Rather than reading a good book with a cup of coffee in the afternoon, instead they juggled with some harmful bugs inside their laptop. Golf Heater System User Guide is available in our book collection an online access to it is set as public so you can download it instantly. Our digital library spans in multiple locations, allowing you to get the most less latency time to download any of our books like this one. Merely said, Golf Heater System User Guide is universally compatible with any devices to read.

Find Golf Heater System User Guide :

job preparation reintegrating after traumatic life experiences 1 book 2

~~job procedures template~~

~~john deere 3tnv82a parts manual~~

~~john deere 1530 tractor parts manual~~

~~john deere 310b backhoe repair manual~~

~~john deere 2020 manual book~~

~~john deere 310sg manual~~

~~john deere 1130 se service manual~~

~~john deere 5400 manual~~

~~john deere 1445 mower deck parts manual~~

john deere 2650 hydraulic problems

~~john deere 4240 wiring diagram manual~~

john deere 1842gv 1842hv sabre yard tractor service repair manual

john deere 165 repair manual

~~joan of acadia episode guide~~

Golf Heater System User Guide :

Shades of gray by Carolyn Reeder - Audiobook Synopsis. COURAGE WEARS MANY FACES. The Civil War may be over, but for twelve-year-old Will Page, the pain and bitterness haven't ended. Shades of Gray Audiobook, written by Carolyn Reeder Teacher and author, Carolyn Reeder vividly portrays an angry Will gradually overcoming his own loss and developing tolerance for his uncle's opposing views. The ... Shades of gray by Carolyn Reeder - Audiobook Synopsis. COURAGE WEARS MANY FACES. The Civil War may be over, but for twelve-year-old Will Page, the pain and bitterness haven't ended. Shades of Gray by Carolyn Reeder audiobook Teacher and author, Carolyn Reeder vividly portrays an angry Will gradually overcoming his own loss and developing tolerance for his uncle's opposing views. The ... Shades of Gray Audiobook, written by Carolyn Reeder Teacher and author, Carolyn Reeder vividly portrays an angry Will gradually overcoming his own loss and developing tolerance for his uncle's opposing views. The ... Shades of gray | WorldCat.org Shades of gray. Authors: Carolyn Reeder, John McDonough. Front cover image for ... Audiobook, English, [1997]. Edition: View all formats and editions. Publisher ... Shades of Gray: Carolyn Reeder - Books This book is an amazing story about how a boy is getting used to a new life outside of Winchester, VA after the civil war, when most of his family was killed ... Shades of gray : Reeder, Carolyn : Free Download, Borrow ... May 18, 2010 — At the end of the Civil War, twelve-year-old Will, having lost all his immediate family, reluctantly leaves his city home to live in the ... Shades of Gray by Reeder, Carolyn This book is an amazing story about how a boy is getting used to a new life outside of Winchester, VA after the civil war, when most of his family was killed ... Shades of Gray | Book by Carolyn Reeder, Tim O'Brien Shades of Gray by Carolyn Reeder - In the aftermath of the Civil War, recently orphaned Will must start a new life and overcome his prejudices. Solutions Manual for Optimal Control Systems (Electrical ... Solutions Manual for Optimal Control Systems (Electrical Engineering Series) by D. Subbaram Naidu. Click here for the lowest price! Paperback, 9780849314131 ... optimal control systems Solutions Manual for Optimal Control Systems by D. Subbaram Naidu. 1. The ... referred to in this manual refer to those in the book, Optimal Control Systems. Solutions Manual for Optimal Control Systems (Electrical ... Solutions Manual for Optimal Control Systems (Electrical Engineering Series) by D. Subbaram Naidu - ISBN 10: 0849314135 - ISBN 13: 9780849314131 - CRC Press - solutions manual for optimal control systems crc press naidu Recognizing the pretentiousness ways to acquire this ebook solutions manual for optimal control systems crc press naidu is additionally useful. Desineni Subbaram Naidu Vth Graduate Senior Level Text Book with Solutions Manual. Optimal Control Systems Desineni Subbaram Naidu Electrical Engineering Textbook Series CRC Press ... Optimal Control Systems | D. Subbaram Naidu Oct 31, 2018 — Naidu, D.S. (2003). Optimal Control Systems (1st ed.). CRC Press. <https://doi.org/10.1201/9781315214429>. COPY. ABSTRACT. The theory of optimal ... Optimal control systems / Desineni Subbaram Naidu. Optimal control systems / Desineni Subbaram Naidu.-book. Optimal Control Systems (Electrical Engineering Series) A very useful guide for professional and graduate students involved in control systems. It is more of a

theoretical book and requires prior knowledge of basic ... (PDF) OPTIMAL CONTROL SYSTEMS | Lia Qoni'ah This document presents a brief user's guide to the optimal control software supplied. The code allows users to define optimal control problems with ... OPTIMAL CONTROL SYSTEMS - PDFCOFFEE.COM Solution of the Problem Step 1 Solve the matrix differential Riccati equation $P(t) = -P(t)A(t) - A'(t)P(t) - Q(t) + P(t)B(t)R^{-1}(t)B'(t)P(t)$ with final ... TCM Parts Manual Engine Nissan H 15 H 20 H 25 PE ... May 27, 2021 — TCM - Parts Manual - Engine Nissan H15 H20 H25 - PE-H15RMT000B - 168 pages. TCM Nissan H15 H20 H25 Forklift Gasoline Engine Shop ... TCM Nissan H15 H20 H25 Forklift Gasoline Engine Shop Service Repair Manual ; Compatible Equipment Make. Nissan, TCM ; Accurate description. 4.8 ; Reasonable ... Nissan ForkLift Engines Service Manual H15 / H20-II / H25 ... This service manual has been prepared to provide necessary information concerning the maintenance and repair procedures for the NISSAN FORKLIFT D01/D02 series. H25 Nissan Engine Manual Pdf Page 1. H25 Nissan Engine Manual Pdf. INTRODUCTION H25 Nissan Engine Manual Pdf Copy. Nissan ForkLift Engines Service Manual H15 / H20-II / H25 ... This service manual has been prepared to provide necessary information concerning the maintenance and repair procedures for the NISSAN FORKLIFT D01/D02 series. Nissan H25 2472 CC TAM QUICK ENGINE SPECIFICATION specs_nis_h25.xlsx. Nissan H25. 2472 C.C.. BORE. STROKE. FIRING. MAIN. ROD. ORDER. JOURNAL. JOURNAL. 3.622. 3.661. 1-3-4-2. Nissan Forklift J01, J02 Series with H15, H20-II, H25, ... Nissan Forklift J01, J02 Series with H15, H20-II, H25, TD27, BD30 Engines Workshop Service Manual · 1. H15/H20-II/H2S ENGINE Service Manual, PDF, 154 pages · 2. 4Z TOYO TCM Shop Manual for Nissan H15 H20 H25 ... 4Z- TOYO TCM shop manual for nissan H15, H20, H25 gasoline engines ... Engines, Owners Repair Manual Book. Listed on Nov 7, 2023. Report this item to Etsy · All ... Still OM Pimespo Nissan Motor H25 Engine Repair ... Still OM Pimespo Nissan Motor H25 Engine Repair Manual_4141-4257. Size: 11.3 MB Format: PDF Language: English Brand: Still-OM Pimespo-Nissan Nissan Forklift J01, J02 Series with H15, H20-II, H25, TD27 ... High Quality Manuals. Nissan Forklift J01, J02 Series with H15, H20-II, H25, TD27, BD30 Engines Workshop Service Repair Manual. Sale. \$ 19.92; Regular price ...