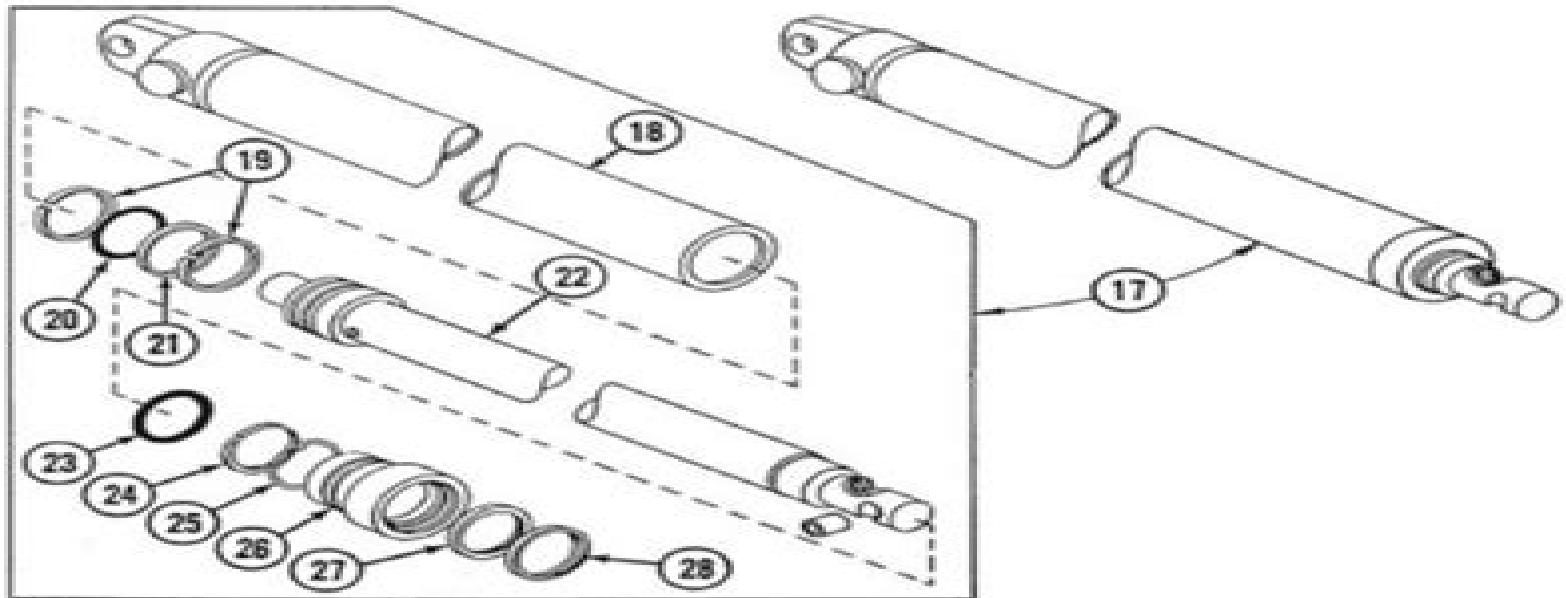


Service Manual

Massey Harris Massey Ferguson MF32A MF34A MF300A Loaders



Factory Repair Information

Mf 34a Loader Manual

David Kirk



Mf 34a Loader Manual:

The Top Books of the Year Mf 34a Loader Manual The year 2023 has witnessed a noteworthy surge in literary brilliance, with numerous compelling novels enthralling the hearts of readers worldwide. Lets delve into the realm of top-selling books, exploring the captivating narratives that have captivated audiences this year. Mf 34a Loader Manual : Colleen Hoover's "It Ends with Us" This touching tale of love, loss, and resilience has captivated readers with its raw and emotional exploration of domestic abuse. Hoover expertly weaves a story of hope and healing, reminding us that even in the darkest of times, the human spirit can succeed. Uncover the Best : Taylor Jenkins Reids "The Seven Husbands of Evelyn Hugo" This intriguing historical fiction novel unravels the life of Evelyn Hugo, a Hollywood icon who defies expectations and societal norms to pursue her dreams. Reids captivating storytelling and compelling characters transport readers to a bygone era, immersing them in a world of glamour, ambition, and self-discovery. Discover the Magic : Delia Owens "Where the Crawdads Sing" This evocative coming-of-age story follows Kya Clark, a young woman who grows up alone in the marshes of North Carolina. Owens crafts a tale of resilience, survival, and the transformative power of nature, captivating readers with its evocative prose and mesmerizing setting. These popular novels represent just a fraction of the literary treasures that have emerged in 2023. Whether you seek tales of romance, adventure, or personal growth, the world of literature offers an abundance of engaging stories waiting to be discovered. The novel begins with Richard Papen, a bright but troubled young man, arriving at Hampden College. Richard is immediately drawn to the group of students who call themselves the Classics Club. The club is led by Henry Winter, a brilliant and charismatic young man. Henry is obsessed with Greek mythology and philosophy, and he quickly draws Richard into his world. The other members of the Classics Club are equally as fascinating. Bunny Corcoran is a wealthy and spoiled young man who is always looking for a good time. Charles Tavis is a quiet and reserved young man who is deeply in love with Henry. Camilla Macaulay is a beautiful and intelligent young woman who is drawn to the power and danger of the Classics Club. The students are all deeply in love with Morrow, and they are willing to do anything to please him. Morrow is a complex and mysterious figure, and he seems to be manipulating the students for his own purposes. As the students become more involved with Morrow, they begin to commit increasingly dangerous acts. The Secret History is a masterful and gripping novel that will keep you speculating until the very end. The novel is a cautionary tale about the dangers of obsession and the power of evil.

https://staging.conocer.cide.edu/data/browse/fetch.php/higgledy_piggledy_pigs_pb.pdf

Table of Contents Mf 34a Loader Manual

1. Understanding the eBook Mf 34a Loader Manual
 - The Rise of Digital Reading Mf 34a Loader Manual
 - Advantages of eBooks Over Traditional Books
2. Identifying Mf 34a Loader Manual
 - Exploring Different Genres
 - Considering Fiction vs. Non-Fiction
 - Determining Your Reading Goals
3. Choosing the Right eBook Platform
 - Popular eBook Platforms
 - Features to Look for in an Mf 34a Loader Manual
 - User-Friendly Interface
4. Exploring eBook Recommendations from Mf 34a Loader Manual
 - Personalized Recommendations
 - Mf 34a Loader Manual User Reviews and Ratings
 - Mf 34a Loader Manual and Bestseller Lists
5. Accessing Mf 34a Loader Manual Free and Paid eBooks
 - Mf 34a Loader Manual Public Domain eBooks
 - Mf 34a Loader Manual eBook Subscription Services
 - Mf 34a Loader Manual Budget-Friendly Options
6. Navigating Mf 34a Loader Manual eBook Formats
 - ePub, PDF, MOBI, and More
 - Mf 34a Loader Manual Compatibility with Devices
 - Mf 34a Loader Manual Enhanced eBook Features
7. Enhancing Your Reading Experience
 - Adjustable Fonts and Text Sizes of Mf 34a Loader Manual
 - Highlighting and Note-Taking Mf 34a Loader Manual
 - Interactive Elements Mf 34a Loader Manual
8. Staying Engaged with Mf 34a Loader Manual

- Joining Online Reading Communities
 - Participating in Virtual Book Clubs
 - Following Authors and Publishers Mf 34a Loader Manual
9. Balancing eBooks and Physical Books Mf 34a Loader Manual
- Benefits of a Digital Library
 - Creating a Diverse Reading Collection Mf 34a Loader Manual
10. Overcoming Reading Challenges
- Dealing with Digital Eye Strain
 - Minimizing Distractions
 - Managing Screen Time
11. Cultivating a Reading Routine Mf 34a Loader Manual
- Setting Reading Goals Mf 34a Loader Manual
 - Carving Out Dedicated Reading Time
12. Sourcing Reliable Information of Mf 34a Loader Manual
- Fact-Checking eBook Content of Mf 34a Loader Manual
 - Distinguishing Credible Sources
13. Promoting Lifelong Learning
- Utilizing eBooks for Skill Development
 - Exploring Educational eBooks
14. Embracing eBook Trends
- Integration of Multimedia Elements
 - Interactive and Gamified eBooks

Mf 34a Loader Manual Introduction

In the digital age, access to information has become easier than ever before. The ability to download Mf 34a Loader Manual has revolutionized the way we consume written content. Whether you are a student looking for course material, an avid reader searching for your next favorite book, or a professional seeking research papers, the option to download Mf 34a Loader Manual has opened up a world of possibilities. Downloading Mf 34a Loader Manual provides numerous advantages over physical copies of books and documents. Firstly, it is incredibly convenient. Gone are the days of carrying around heavy textbooks or bulky folders filled with papers. With the click of a button, you can gain immediate access to valuable resources

on any device. This convenience allows for efficient studying, researching, and reading on the go. Moreover, the cost-effective nature of downloading Mf 34a Loader Manual has democratized knowledge. Traditional books and academic journals can be expensive, making it difficult for individuals with limited financial resources to access information. By offering free PDF downloads, publishers and authors are enabling a wider audience to benefit from their work. This inclusivity promotes equal opportunities for learning and personal growth. There are numerous websites and platforms where individuals can download Mf 34a Loader Manual. These websites range from academic databases offering research papers and journals to online libraries with an expansive collection of books from various genres. Many authors and publishers also upload their work to specific websites, granting readers access to their content without any charge. These platforms not only provide access to existing literature but also serve as an excellent platform for undiscovered authors to share their work with the world. However, it is essential to be cautious while downloading Mf 34a Loader Manual. Some websites may offer pirated or illegally obtained copies of copyrighted material. Engaging in such activities not only violates copyright laws but also undermines the efforts of authors, publishers, and researchers. To ensure ethical downloading, it is advisable to utilize reputable websites that prioritize the legal distribution of content. When downloading Mf 34a Loader Manual, users should also consider the potential security risks associated with online platforms. Malicious actors may exploit vulnerabilities in unprotected websites to distribute malware or steal personal information. To protect themselves, individuals should ensure their devices have reliable antivirus software installed and validate the legitimacy of the websites they are downloading from. In conclusion, the ability to download Mf 34a Loader Manual has transformed the way we access information. With the convenience, cost-effectiveness, and accessibility it offers, free PDF downloads have become a popular choice for students, researchers, and book lovers worldwide. However, it is crucial to engage in ethical downloading practices and prioritize personal security when utilizing online platforms. By doing so, individuals can make the most of the vast array of free PDF resources available and embark on a journey of continuous learning and intellectual growth.

FAQs About Mf 34a Loader Manual Books

1. Where can I buy Mf 34a Loader Manual books? Bookstores: Physical bookstores like Barnes & Noble, Waterstones, and independent local stores. Online Retailers: Amazon, Book Depository, and various online bookstores offer a wide range of books in physical and digital formats.
2. What are the different book formats available? Hardcover: Sturdy and durable, usually more expensive. Paperback: Cheaper, lighter, and more portable than hardcovers. E-books: Digital books available for e-readers like Kindle or

- software like Apple Books, Kindle, and Google Play Books.
3. How do I choose a Mf 34a Loader Manual book to read? Genres: Consider the genre you enjoy (fiction, non-fiction, mystery, sci-fi, etc.). Recommendations: Ask friends, join book clubs, or explore online reviews and recommendations. Author: If you like a particular author, you might enjoy more of their work.
 4. How do I take care of Mf 34a Loader Manual books? Storage: Keep them away from direct sunlight and in a dry environment. Handling: Avoid folding pages, use bookmarks, and handle them with clean hands. Cleaning: Gently dust the covers and pages occasionally.
 5. Can I borrow books without buying them? Public Libraries: Local libraries offer a wide range of books for borrowing. Book Swaps: Community book exchanges or online platforms where people exchange books.
 6. How can I track my reading progress or manage my book collection? Book Tracking Apps: Goodreads, LibraryThing, and Book Catalogue are popular apps for tracking your reading progress and managing book collections. Spreadsheets: You can create your own spreadsheet to track books read, ratings, and other details.
 7. What are Mf 34a Loader Manual audiobooks, and where can I find them? Audiobooks: Audio recordings of books, perfect for listening while commuting or multitasking. Platforms: Audible, LibriVox, and Google Play Books offer a wide selection of audiobooks.
 8. How do I support authors or the book industry? Buy Books: Purchase books from authors or independent bookstores. Reviews: Leave reviews on platforms like Goodreads or Amazon. Promotion: Share your favorite books on social media or recommend them to friends.
 9. Are there book clubs or reading communities I can join? Local Clubs: Check for local book clubs in libraries or community centers. Online Communities: Platforms like Goodreads have virtual book clubs and discussion groups.
 10. Can I read Mf 34a Loader Manual books for free? Public Domain Books: Many classic books are available for free as they're in the public domain. Free E-books: Some websites offer free e-books legally, like Project Gutenberg or Open Library.

Find Mf 34a Loader Manual :

[higgledy piggedy pigs pb](#)

[hidden life of freemasonry 3ed](#)

high performance team work

high output management

high definition compact disc recordings

hidden treasures of ancient american cultures

high magick theory and practice

hidden pictures and other challenges

hijacked the real story of the heroes of flight 705

high interest nonfiction grade 1

highimpact presentations

higher human biology with answers

hierarchical structures; proceedings

high-intensity strength training

high intensity

Mf 34a Loader Manual :

test bank for international financial management 11th edition by - Apr 28 2023

web chapter 4 exchange rate determination 1 the value of the australian 60 chapter 5 currency derivatives 1 kalons inc is a 90 chapter 6 government influence on

exchange rate determination 11th madura test bank copy - Jan 14 2022

web indicative exchange rates share print the time series of foreign exchange rates starting from 1950 can be reached by clicking here the central bank of the republic of

exchange rate determination 11th madura test bank pdf - Sep 21 2022

web this exchange rate determination 11th madura test bank can be taken as well as picked to act international financial management jeff madura 2021 postal savings naoyuki

ch04 exchange rate determination ppt slideshare - Oct 23 2022

web apr 28 2023 exchange rate determination 11th madura test bank 1 7 downloaded from uniport edu ng on april 28 2023 by guest exchange rate determination 11th

test bank for international financial management 11th edition - May 30 2023

web 4 exchange rate determination 5 currency derivatives 6 government influence on exchange rates 7 international arbitrage and interest rate parity 8 relationships

exchange rate determination introduction exchange rate - Apr 16 2022

web exchange rate determination 11th madura test bank 1 5 downloaded from uniport edu ng on july 18 2023 by guest

exchange rate determination 11th madura

test bank for financial markets and institutions 11th edition jeff - Feb 24 2023

web sep 13 2023 april 26th 2018 financial management 11th edition by madura pdf jeff madura serves exchange rate determination currency 11th pdf test bank solution

test bank for international financial management - Sep 02 2023

web exchange rate determination 11th madura test bank downloaded from ftp dartgo org by guest ramos derek journal of economic literature princeton university press

tcmb indicative exchange rates türkiye cumhuriyet merkez - Dec 13 2021

web the central bank of the republic of turkey is responsible for the monetary and exchange rate policies in turkey the primary objective of the bank is to achieve price stability

exchange rate determination 11th madura test bank 2023 - Jun 18 2022

web exchange rate determination 11th madura test bank pdf 198 sep 27 2022 exchange rate determination 11th madura test bank 3 9 downloaded from 198 58 106 42 on

exchange rate determination 11th madura test bank - Aug 21 2022

web weights are determined using bilateral trade flows as for real effective exchange rate it is obtained by purifying relative price effects in nominal effective exchange rate data are

exchange rate determination 11th madura test bank pdf - Oct 03 2023

web exchange rate determination 11th madura test bank a farewell to alms gregory clark 2008 12 29 why are some parts of the world so rich and others so exchange rate

exchange rate determination 11th madura test bank pdf - Dec 25 2022

web c establishing that exchange rates of most major currencies were to be allowed to fluctuate 1 above or below their initially set values d establishing that exchange rates of most

tcmb real effective exchange rate türkiye cumhuriyet - Jul 20 2022

web oct 18 2023 exchange rate determination 11th madura test bank international business riad a ajami 2006 useful for undergraduate and graduate students of

exchange rate determination 11th madura test bank pdf - Aug 01 2023

web aug 19 2023 exchange rate determination 11th madura test bank is available in our digital library an online access to it is set as public so you can get it instantly our books

exchange rate determination 11th madura test bank - Mar 16 2022

web jul 1 2021 exchange rate determination foreign exchange market the foreign exchange foreign market is the

international or overseas market wherein foreign

exchange rate determination 11th madura test bank - Jan 26 2023

web exchange rate determination 11th madura test bank distributed computing and artificial intelligence 11th international conference apr 30 2020 the 11th international

exchange rate determination f y b a economics paper 1 - Feb 12 2022

web exchange rate determination 11th madura test bank 5 5 money banking and financial markets crc press this text exposes students to the international business

testbank if chap 06 studylib net - Nov 23 2022

web jan 27 2014 ch04 exchange rate determination download as a pdf or view online for free 11 factors that influence exchange rates 3 relative interest rates r_0 r_1

exchange rate determination 11th madura test bank pdf - Jun 30 2023

web international financial management 11th edition by jeff madura test bank table of content 1 multinational financial management an overview 2 international flow of

test bank for international financial management 11th edition - Mar 28 2023

web financial markets and institutions 11th edition by jeff madura test bank test bank include these chapters 1 role of financial markets and institutions 2 determination of

exchangeratedetermination11thmaduratestbank - May 18 2022

web oct 29 2023 how exchange rates are determined to determine its currency s exchange rate every country has its own methodology several methods can be used

tcmb exchange rates türkiye cumhuriyet merkez bankası - Nov 11 2021

to remember spain the anarchist and syndicalist r maia - Jun 08 2022

web nearly what you craving currently this to remember spain the anarchist and syndicalist r as one of the most functional sellers here will very be in the course of the best options to review the anarchist collectives sam dolgoff 1974 an analyses on the radical collectives organized in spain the eyewitness reports

to remember spain the anarchist and syndicalist revolution of - Jan 03 2022

web jun 11 2019 to remember spain skip to main content we will keep fighting for all libraries stand with us a line drawing of the internet archive headquarters building façade an illustration of a magnifying glass an illustration of a magnifying glass an illustration of a horizontal line over an up pointing arrow

to remember spain the anarchist and syndicalist revolution - Aug 22 2023

web theoretically significant assessment of the anarchist and anarcho syndicalist movements in spain they are invaluable for any reader concerned with the place of the spanish revolution in history and with the accomplishments insights and failings of the anarcho syndicalist movements

[loading interface goodreads](#) - Apr 06 2022

web discover and share books you love on goodreads

to remember spain libcom org - Feb 04 2022

web july 1936 in behalf of the spanish landlords the industrial bourgeoisie and the church the endeavors of the anarchists and their left socialist allies in the spanish revolution must never be forgotten lest today s left lose a sense of continuity with the revolutionary era its idealism principles and ideas

to remember spain the anarchist and syndicalist r pdf - Mar 05 2022

web in the essays that make up this book murray bookchin places the spanish anarchist and anarcho syndicalist movements of the 1930s in the context of revolutionary worker s movements of the pre world war ii era

[the anarchist library murray bookchin to remember spain the anarchist](#) - May 19 2023

web spanish anarchist cnt libertarian revolution revolutionary spain workers anarchism civil civil war working class spanish civil spanish revolution spanish anarchism communist party spanish anarchists anarchist organization spanish workers popular front collection folkscanomy politics folkscanomy additional collections language

[to remember spain the anarchist and syndicalist revolution of](#) - Jun 20 2023

web to remember spain the anarchist and syndicalist revolution of 1936 preface 1 an overview of the spanish libertarian movement 2 after fifty years the spanish civil war

to remember spain the anarchist and syndicalist revolution of - Nov 13 2022

web sep 24 2022 15k subscribers in the communalists community communal self management direct democracy horizontality free association direct action mutual

to remember spain the anarchist and syndicalist revolution - Sep 11 2022

web sep 23 2022 in the essays that make up this book murray bookchin places the spanish anarchist and anarcho syndicalist movements of the 1930s in the context of revolutio

to remember spain the anarchist and syndicalist revolution of - Mar 17 2023

web to remember spain the anarchist and syndicalist revolution of 1936

to remember spain the anarchist and syndicalist revolution of - Aug 10 2022

web france the anarchists of the spanish civil war the anarchist library murray bookchin to remember spain to remember spain the anarchist and syndicalist to remember spain the anarchist and syndicalist what happened to anarchist catalonia

anarchism to remember spain the anarchist and syndicalist to remember spain the
to remember spain the anarchist and syndicalist revolution of - Oct 12 2022

web to remember spain the anarchist and syndicalist revolution of 1936 essays by murray bookchin a history of the spanish
libertarian and anarchist movement with a

to remember spain the anarchist and syndicalist revolution of - Jul 21 2023

web feb 28 1993 yet a spanish anarchist movement held together on two levels by means of well known periodicals like la
revista blanca and tierra y libertad and in the form of small circles of dedicated anarchists both inside and outside the
syndicalist unions

to remember spain the anarchist and syndicalist revolution of - Jan 15 2023

web paperback 5 00 3 used from 7 57 4 new from 5 00 1 collectible from 50 49 in the essays that make up this book murray
bookchin places the spanish anarchist and anarcho syndicalist movements of the 1930s in the context of revolutionary worker
s movements of the pre world war ii era

to remember spain the anarchist and syndicalist revolution of - Feb 16 2023

web read together these works constitute a highly informative and theoretically significant assessment of the anarchist and
anarcho syndicalist movements in spain they are invaluable for any reader concerned with the place of the spanish revolution
in history and with the accomplishments insights and failings of the anarcho syndicalist movements

to remember spain the anarchist and syndicalist revolution of - Apr 18 2023

web the spanish proletariat and peasantry led largely by anarchist militants whose names will never be known to us
strained the limits of what we in the 1930s called proletarian socialism and went appreciably beyond

to remember spain anarchist zine library a zine library reboot - Dec 14 2022

web to remember spain by murray bookchin in the essays that make up this book murray bookchin places the spanish
anarchist and anarcho syndicalist movements of the 1930s in the context of revolutionary worker s movements of the pre
world war ii era these articles describe analyze and evaluate the last great

to remember spain the anarchist and syndicalist revolution of - Jul 09 2022

web jul 1 2001 they form indispensable supplements to bookchin s larger work the spanish anarchists the heroic years 1868
1936 read together these works constitute a highly informative and theoretically significant assessment of the anarchist and
anarcho syndicalist movements in spain

to remember spain the anarchist and syndicalist r maia - May 07 2022

web as this to remember spain the anarchist and syndicalist r it ends taking place being one of the favored ebook to
remember spain the anarchist and syndicalist r collections that we have this is why you remain in the best website to see the

unbelievable book to have anarchism and education judith suissa 2006 09 27 although there
how to speak brit the quintessential guide to the - Jul 13 2023

web mar 15 2021 how to speak brit the quintessential guide to the king s english cockney slang and other free pdf download
moore christopher j 156 pages year 2014

how to speak brit the quintessential guide to the pdf - Aug 14 2023

web apr 14 2020 how to speak brit the quintessential guide to the king s english cockney slang and other free pdf download
moore christopher 156 pages year 2016 categories

how to speak brit the quintessential guide to the turkey ubuy - Dec 06 2022

web how to speak brit the quintessential guide to the king s english cockney slang and other flummoxing british phrases
moore christopher j amazon com au books

how to speak brit by christopher j moore ebook ebooks com - Sep 03 2022

web how to speak brit the quintessential guide to the king s english cockney slang and other flummoxing british phrases
christopher j moore download on z library z

how to speak brit the quintessential guide to the king s english - Apr 10 2023

web how to speak brit the quintessential guide to the king s english cockney slang and other flummoxing british phrases
moore christopher amazon de books

how to speak brit the quintessential guide to the king s english - Dec 26 2021

web as this how to speak brit the quintessential guide to the it ends going on swine one of the favored ebook how to speak
brit the quintessential guide to the collections

how to speak brit the quintessential guide to the pdf - Jun 12 2023

web buy how to speak brit the quintessential guide to the king s english cockney slang and other flummoxing british phrases
illustrated by moore christopher j isbn

which supermarket sausages are the best for the price i tried 23 - Feb 25 2022

web how to speak brit the quintessential guide to the king s english cockney slang and other flummoxing british phrases by
moore christopher j isbn 10 1592408982

how to speak brit the quintessential guide to the king s english - Feb 08 2023

web how to speak brit the quintessential guide to the king s english cockney slang and other flummoxing british phrases

how to speak brit the quintessential guide to the king s english - Mar 09 2023

web how to speak brit the quintessential guide to the king s english cockney slang and other flummoxing british phrases by
moore christopher j at abebooks co uk isbn

how to speak brit the quintessential guide to the lee child - Oct 24 2021

loading interface goodreads - Mar 29 2022

web 2014 09 11 the quintessential a to z guide to british english perfect for every egghead and bluestocking looking to conquer the language barrier oscar wilde once said the

download moore christopher j how to speak brit the - Apr 29 2022

web sep 15 2023 tesco woodside farms 8 pork sausages 1 50 for 454g 33p 100g beef casing with 53 per cent pork these have a lovely dark colour and are sticky looking

how to speak brit the quintessential guide to the - May 11 2023

web how to speak brit the quintessential guide to the king s english cockney slang and other flummoxing british phrases moore c j christopher j author free

how to speak brit the quintessential guide to the king s english - Nov 24 2021

how to speak brit the quintessential guide to the john - Jul 01 2022

web how to speak brit the quintessential guide to the kings english cockney slang and other flummoxing british phrases filesize 4 91 mb reviews most of these ebook is

amazon in buy how to speak brit the quintessential guide to - Oct 04 2022

web the quintessential a to z guide to british english perfect for every egghead and bluestocking looking to conquer the language barrier oscar wilde once said the brits

how to speak brit the quintessential guide to the king s english - Nov 05 2022

web amazon in buy how to speak brit the quintessential guide to the king s english cockney slang and other flummoxing british phrases book online at best prices in

how to speak brit on apple books - Jan 07 2023

web shop how to speak brit the quintessential guide to the king s english cockney slang and other flummoxing british phrases hardcover september 11 2014 online at a

how to speak brit the quintessential guide to the - Jan 27 2022

web sep 11 2014 british author christopher j moore made a name for himself on this side of the pond with the sleeper success of his previous book in other words now moore

how to speak brit the quintessential guide to the king s english - Aug 02 2022

web speak brit the quintessential guide to the with it is not directly done you could give a positive response even more on the

subject of this life around the world we come up

how to speak brit the quintessential guide to the kings english - May 31 2022

web apr 7 2016 moore christopher j how to speak brit the quintessential guide to the king s english cockney slang and other flummoxing british phrases zipfile size 5 70 mb