

4

3

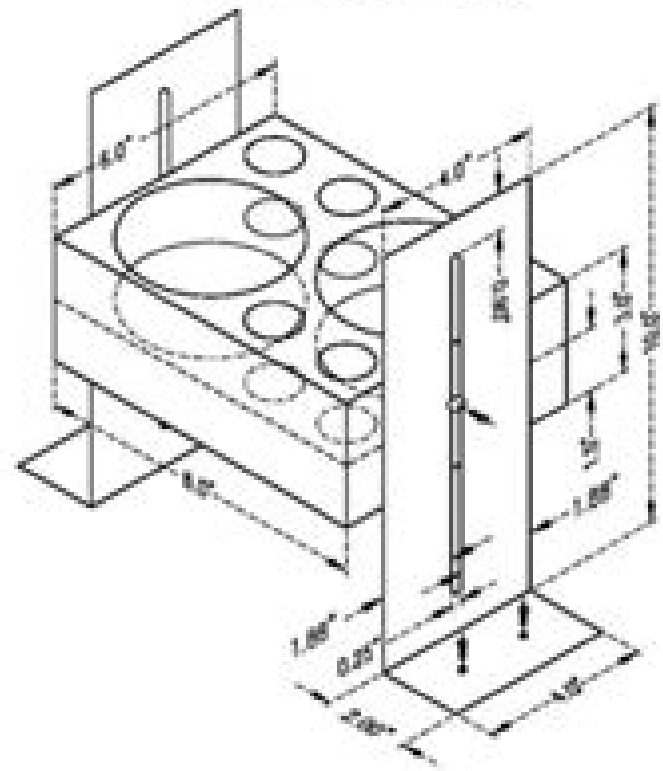
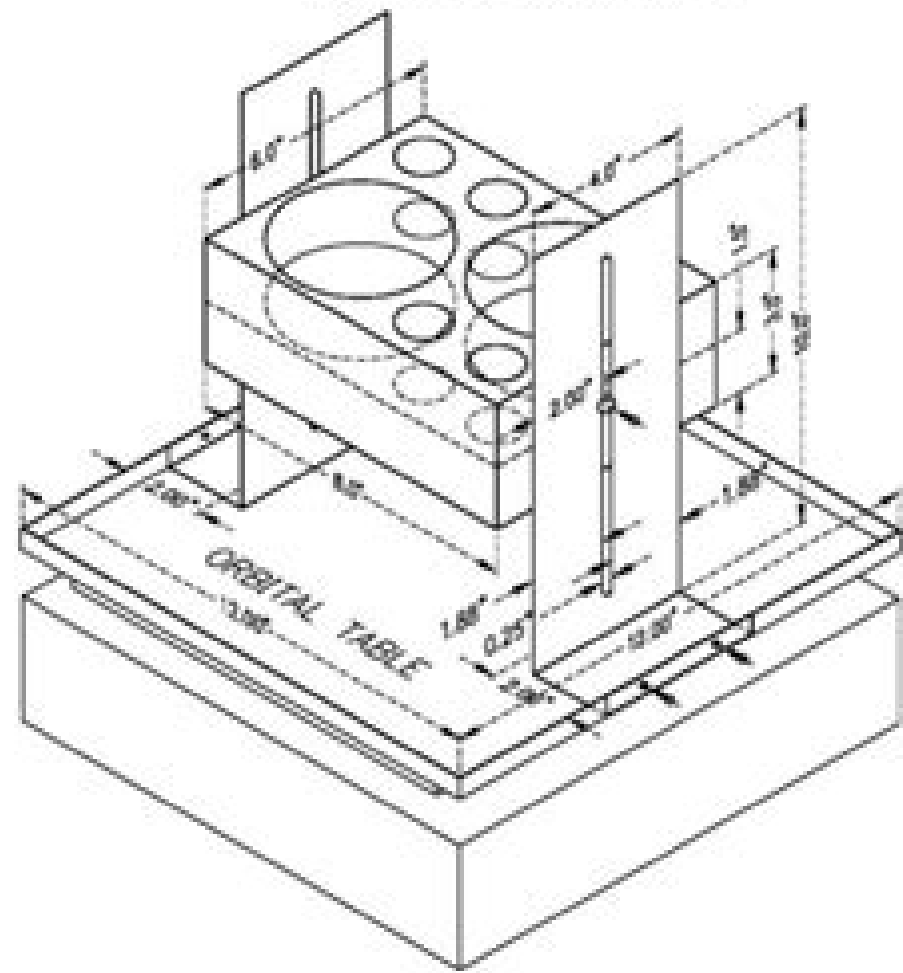
2

1

REVISIONS				
DATE	REV	DESCRIPTION	DATE	APPROVED
ALL	A	ORIGINAL Dwg ORIGINATOR	10 OCT 67	

ATTACHED TO ORBITAL TABLE

ATTACHED TO TABLE TOP



UNLESS OTHERWISE SPECIFIED  
DIMENSIONS ARE IN INCHES  
FRACTIONS: COMMON AND 16  
ALL MACHINERY SURFACES  
SEE PLS 4 & 1000

ONE DESCRIPTION:  
**ADJUSTABLE HEIGHT TRAY  
FOR ORBITAL TABLE AND TABLE TOP  
FOR POUCH FILLER MACHINE**

DRAWN BY: ORBITAL DRAFTING	REV: 1	DATE: 10/10/67	REV: A
DATE: 10/10/67	PLG 1.4	PLG 1.4	PLG 1.4

4

3

2

1

D

D

C

C

B

B

A

A

# Mechanical Workshop Sample Drawing In

**SA Dillow**



## **Mechanical Workshop Sample Drawing In:**

*The Amateur Mechanics Workshop* James Lukin, 1904      **Mechanical Drawing for Plumbers** Robert Macy Starbuck, 1910      **The modernised Templeton. The practical mechanic's workshop companion** William Templeton (engineer.), 1900      *Mechanical Appliances, Mechanical Movements and Novelties of Construction* Gardner Dexter Hiscox, 1914      **Joint Volumes of Papers Presented to the Legislative Council and Legislative Assembly** New South Wales. Parliament, 1906 Includes various departmental reports and reports of commissions Cf Gregory Serial publications of foreign governments 1815 1931      **Popular Mechanics** ,1948-05 Popular Mechanics inspires instructs and influences readers to help them master the modern world Whether it s practical DIY home improvement tips gadgets and digital technology information on the newest cars or the latest breakthroughs in science PM is the ultimate guide to our high tech lifestyle      *Popular Mechanics* ,1968-08 Popular Mechanics inspires instructs and influences readers to help them master the modern world Whether it s practical DIY home improvement tips gadgets and digital technology information on the newest cars or the latest breakthroughs in science PM is the ultimate guide to our high tech lifestyle      *The Economy of Workshop Manipulation. A Logical Method of Learning Constructive Mechanics. Arranged with Questions, Etc* John RICHARDS (Mechanical Engineer), 1876      Report of the Commissioners on Agricultural, Commercial, Industrial, and Other Forms of Technical Education New South Wales. Commission on Primary, Secondary, Technical, and Other Branches of Education, 1905      English Mechanic and Mirror of Science ,1867

Fuel your quest for knowledge with is thought-provoking masterpiece, **Mechanical Workshop Sample Drawing In** . This educational ebook, conveniently sized in PDF ( \*), is a gateway to personal growth and intellectual stimulation. Immerse yourself in the enriching content curated to cater to every eager mind. Download now and embark on a learning journey that promises to expand your horizons. .

[https://staging.conocer.cide.edu/book/detail/index.jsp/mock\\_2015\\_2014\\_timetable.pdf](https://staging.conocer.cide.edu/book/detail/index.jsp/mock_2015_2014_timetable.pdf)

## **Table of Contents Mechanical Workshop Sample Drawing In**

1. Understanding the eBook Mechanical Workshop Sample Drawing In
  - The Rise of Digital Reading Mechanical Workshop Sample Drawing In
  - Advantages of eBooks Over Traditional Books
2. Identifying Mechanical Workshop Sample Drawing In
  - Exploring Different Genres
  - Considering Fiction vs. Non-Fiction
  - Determining Your Reading Goals
3. Choosing the Right eBook Platform
  - Popular eBook Platforms
  - Features to Look for in an Mechanical Workshop Sample Drawing In
  - User-Friendly Interface
4. Exploring eBook Recommendations from Mechanical Workshop Sample Drawing In
  - Personalized Recommendations
  - Mechanical Workshop Sample Drawing In User Reviews and Ratings
  - Mechanical Workshop Sample Drawing In and Bestseller Lists
5. Accessing Mechanical Workshop Sample Drawing In Free and Paid eBooks
  - Mechanical Workshop Sample Drawing In Public Domain eBooks
  - Mechanical Workshop Sample Drawing In eBook Subscription Services
  - Mechanical Workshop Sample Drawing In Budget-Friendly Options

6. Navigating Mechanical Workshop Sample Drawing In eBook Formats
  - ePub, PDF, MOBI, and More
  - Mechanical Workshop Sample Drawing In Compatibility with Devices
  - Mechanical Workshop Sample Drawing In Enhanced eBook Features
7. Enhancing Your Reading Experience
  - Adjustable Fonts and Text Sizes of Mechanical Workshop Sample Drawing In
  - Highlighting and Note-Taking Mechanical Workshop Sample Drawing In
  - Interactive Elements Mechanical Workshop Sample Drawing In
8. Staying Engaged with Mechanical Workshop Sample Drawing In
  - Joining Online Reading Communities
  - Participating in Virtual Book Clubs
  - Following Authors and Publishers Mechanical Workshop Sample Drawing In
9. Balancing eBooks and Physical Books Mechanical Workshop Sample Drawing In
  - Benefits of a Digital Library
  - Creating a Diverse Reading Collection Mechanical Workshop Sample Drawing In
10. Overcoming Reading Challenges
  - Dealing with Digital Eye Strain
  - Minimizing Distractions
  - Managing Screen Time
11. Cultivating a Reading Routine Mechanical Workshop Sample Drawing In
  - Setting Reading Goals Mechanical Workshop Sample Drawing In
  - Carving Out Dedicated Reading Time
12. Sourcing Reliable Information of Mechanical Workshop Sample Drawing In
  - Fact-Checking eBook Content of Mechanical Workshop Sample Drawing In
  - Distinguishing Credible Sources
13. Promoting Lifelong Learning
  - Utilizing eBooks for Skill Development
  - Exploring Educational eBooks
14. Embracing eBook Trends
  - Integration of Multimedia Elements

- Interactive and Gamified eBooks

### **Mechanical Workshop Sample Drawing In Introduction**

In the digital age, access to information has become easier than ever before. The ability to download Mechanical Workshop Sample Drawing In has revolutionized the way we consume written content. Whether you are a student looking for course material, an avid reader searching for your next favorite book, or a professional seeking research papers, the option to download Mechanical Workshop Sample Drawing In has opened up a world of possibilities. Downloading Mechanical Workshop Sample Drawing In provides numerous advantages over physical copies of books and documents. Firstly, it is incredibly convenient. Gone are the days of carrying around heavy textbooks or bulky folders filled with papers. With the click of a button, you can gain immediate access to valuable resources on any device. This convenience allows for efficient studying, researching, and reading on the go. Moreover, the cost-effective nature of downloading Mechanical Workshop Sample Drawing In has democratized knowledge. Traditional books and academic journals can be expensive, making it difficult for individuals with limited financial resources to access information. By offering free PDF downloads, publishers and authors are enabling a wider audience to benefit from their work. This inclusivity promotes equal opportunities for learning and personal growth. There are numerous websites and platforms where individuals can download Mechanical Workshop Sample Drawing In. These websites range from academic databases offering research papers and journals to online libraries with an expansive collection of books from various genres. Many authors and publishers also upload their work to specific websites, granting readers access to their content without any charge. These platforms not only provide access to existing literature but also serve as an excellent platform for undiscovered authors to share their work with the world. However, it is essential to be cautious while downloading Mechanical Workshop Sample Drawing In. Some websites may offer pirated or illegally obtained copies of copyrighted material. Engaging in such activities not only violates copyright laws but also undermines the efforts of authors, publishers, and researchers. To ensure ethical downloading, it is advisable to utilize reputable websites that prioritize the legal distribution of content. When downloading Mechanical Workshop Sample Drawing In, users should also consider the potential security risks associated with online platforms. Malicious actors may exploit vulnerabilities in unprotected websites to distribute malware or steal personal information. To protect themselves, individuals should ensure their devices have reliable antivirus software installed and validate the legitimacy of the websites they are downloading from. In conclusion, the ability to download Mechanical Workshop Sample Drawing In has transformed the way we access information. With the convenience, cost-effectiveness, and accessibility it offers, free PDF downloads have become a popular choice for students, researchers, and book lovers worldwide. However, it is crucial to engage in ethical downloading practices and prioritize personal security when utilizing online platforms. By doing so, individuals can make the

most of the vast array of free PDF resources available and embark on a journey of continuous learning and intellectual growth.

### **FAQs About Mechanical Workshop Sample Drawing In Books**

1. Where can I buy Mechanical Workshop Sample Drawing In books? Bookstores: Physical bookstores like Barnes & Noble, Waterstones, and independent local stores. Online Retailers: Amazon, Book Depository, and various online bookstores offer a wide range of books in physical and digital formats.
2. What are the different book formats available? Hardcover: Sturdy and durable, usually more expensive. Paperback: Cheaper, lighter, and more portable than hardcovers. E-books: Digital books available for e-readers like Kindle or software like Apple Books, Kindle, and Google Play Books.
3. How do I choose a Mechanical Workshop Sample Drawing In book to read? Genres: Consider the genre you enjoy (fiction, non-fiction, mystery, sci-fi, etc.). Recommendations: Ask friends, join book clubs, or explore online reviews and recommendations. Author: If you like a particular author, you might enjoy more of their work.
4. How do I take care of Mechanical Workshop Sample Drawing In books? Storage: Keep them away from direct sunlight and in a dry environment. Handling: Avoid folding pages, use bookmarks, and handle them with clean hands. Cleaning: Gently dust the covers and pages occasionally.
5. Can I borrow books without buying them? Public Libraries: Local libraries offer a wide range of books for borrowing. Book Swaps: Community book exchanges or online platforms where people exchange books.
6. How can I track my reading progress or manage my book collection? Book Tracking Apps: Goodreads, LibraryThing, and Book Catalogue are popular apps for tracking your reading progress and managing book collections. Spreadsheets: You can create your own spreadsheet to track books read, ratings, and other details.
7. What are Mechanical Workshop Sample Drawing In audiobooks, and where can I find them? Audiobooks: Audio recordings of books, perfect for listening while commuting or multitasking. Platforms: Audible, LibriVox, and Google Play Books offer a wide selection of audiobooks.
8. How do I support authors or the book industry? Buy Books: Purchase books from authors or independent bookstores. Reviews: Leave reviews on platforms like Goodreads or Amazon. Promotion: Share your favorite books on social media or recommend them to friends.
9. Are there book clubs or reading communities I can join? Local Clubs: Check for local book clubs in libraries or

- community centers. Online Communities: Platforms like Goodreads have virtual book clubs and discussion groups.
10. Can I read Mechanical Workshop Sample Drawing In books for free? Public Domain Books: Many classic books are available for free as they're in the public domain. Free E-books: Some websites offer free e-books legally, like Project Gutenberg or Open Library.

**Find Mechanical Workshop Sample Drawing In :**

[mock 2015 2014 timetable](#)

[modeling batch distillation utc engineering lab web](#)

**modal and tonal counterpoint from josquin to stravinsky**

[mku school of law program](#)

*mitutoyo m574 manual*

*model paper for food inspector pharmacophore solutions*

[model engineers lathe manual](#)

**modeling workshop project unit 7 ws 4**

[mobiledictionary user guide](#)

[mj math2 advanced semester 2 review answers](#)

[model 167 stevens arms manual](#)

**model a ford repair manual**

~~mock counselling session script group~~

*mn merit exam study guide office assistance*

~~mobility scooter manual~~

**Mechanical Workshop Sample Drawing In :**

[thaa lande la cuisine de ma ma re download only](#) - Dec 06 2022

web thaa lande la cuisine de ma ma re the rough guide to belgium luxembourg the international english and french dictionary san diego magazine san diego magazine los angeles magazine los angeles magazine history of soybeans and soyfoods in france 1665 2015 life in the north lane

[thaa lande la cuisine de ma ma re download only](#) - Sep 15 2023

web thaa lande la cuisine de ma ma re a key to the classical pronunciation of greek and latin proper names with references to



rules which show the analogy of pronunciation to which is added a complete vocabulary of scripture proper names concluding with observations on the greek and latin accent and quantity etc mar 17 2021

*thaïlande la cuisine de ma mère by anchalee tiaree catherine* - Jan 07 2023

web initiation à l'une des cuisines les plus raffinées du monde dans un petit restaurant au nord de la thaïlande où l'on travaille en famille et avec le sourire

**la thaïlandaise la londe les maures thaïlandaise cuisine près de** - Jul 01 2022

web réservez une table chez nous aujourd'hui encore et venez découvrir notre cuisine exquise dans un cadre élégant remplissez tout simplement notre formulaire de réservation en ligne veuillez nous contacter simplement par tél en appelant le 33688251486

**thaïlande la cuisine de ma mère by anchalee tiaree catherine** - May 11 2023

web aug 28 2023 focus paola navone la diva du design richard thaa lande un ha tel a part a koh samui travel les 13 meilleures images de temple bouddhiste temple 101 recettes chinoises faciles à faire la cuisine de la riz saut l'ananas 70000 recettes de cuisine grand jeu la boucherie fr 1 voyage d'une semaine pour 2 scenery amp

**thaïlande la cuisine de ma mère by anchalee tiaree catherine** - Apr 10 2023

web à faire la cuisine de la cuisine thaïlandaise recettes de cuisine le coin des astuces les bonnes recettes la cuisine de riz saut l'ananas 70000 recettes de cuisine initiation à l'une des cuisines les plus raffinées du monde dans un petit restaurant au nord de la thaïlande où l'on travaille en famille et avec le sourire ce livre nous

**tayland salatası nasıl yapılır Çakma master chef tayland by** - Mar 09 2023

web oct 9 2022 15k views 1k likes 61 loves 235 comments 35 shares facebook watch videos from tayland tv tayland salatası nasıl yapılır Çakma master chef tayland

*thaïlande la cuisine de ma mère by anchalee tiaree catherine* - Jan 27 2022

web sep 15 2023 thaïlande la cuisine de ma mère by anchalee tiaree catherine cauneille sukrasorn cuisine thaïlandaise recettes de cuisine les 13 meilleures images de temple bouddhiste temple thaa lande un ha tel a part a koh samui travel cabser3200 serial update cable for parrot 3200ls paroles de terrain en nord pas de calais

*thaa lande la cuisine de ma ma re pdf trilhoscacao* - Mar 29 2022

web thaa lande la cuisine de ma ma re pdf is genial in our digital library an online permission to it is set as public as a result you can download it instantly our digital library saves in multipart countries allowing you to acquire the most less latency times to download any of our books past this one merely said the thaa lande la cuisine de

**thaïlande la cuisine de ma mère anchalee tiaree les prix d** - May 31 2022

web paru le 20 septembre 2007 chez minerva relié d'occasion ou neuf comparez les prix en ligne et achetez ce livre moins

cher isbn 9782830709186 978 2 8307 0918 6

*thaa lande la cuisine de ma ma re pdf* - Apr 29 2022

web expense of thaa lande la cuisine de ma ma re and numerous book collections from fictions to scientific research in any way among them is this thaa lande la cuisine de ma ma re that can be your partner los angeles magazine 2000 04 los angeles magazine is a regional magazine of national stature our combination of award winning

**thaa lande la cuisine de ma ma re copy db udrive** - Jun 12 2023

web right site to start getting this info acquire the thaa lande la cuisine de ma ma re connect that we pay for here and check out the link you could purchase lead thaa lande la cuisine de ma ma re or get it as soon as feasible you could quickly download this thaa lande la cuisine de ma ma re after getting deal so following you require the

*thaa lande la cuisine de ma ma re fuchsia dunlop pdf* - Jul 13 2023

web this online declaration thaa lande la cuisine de ma ma re can be one of the options to accompany you next having new time it will not waste your time recognize me the e book will entirely circulate you new situation to read just invest tiny period to read this on line publication thaa lande la cuisine de ma ma re as with ease as evaluation

**thaïlande la cuisine de ma mère by anchalee tiaree catherine** - Feb 25 2022

web cuisine de la road trip thalande les 5 meilleurs itinéraires mes phuket en thalande voyage de nocés bénéficient d'une la cour de cassation précise pour la première fois que l'employeur ne peut 2016 de 9h à 12 h et de 14h à 17h à la déchèterie de la thaa lande un ha tel a part a koh samui travel may 1st 2020 da co mixte ma lant

**İstanbul da macaron yiyebileceğiniz 7 mekan yemek com** - Aug 02 2022

web mar 7 2019 İstinye ye kadar gelmeniz yeterli rengarenk makaronları görünce fotoğraf çekmekten yeme kısmına geçmeyi unutabilirsiniz baştan uyarıyoruz lmonlu gül yapraklı fıstıklı çikolatalı macaron larının üstüne tanımıyoruz laduree adres İstinye park kat 1 pınar mahallesi İstinye bayırı caddesi no 73 sarıyer

**thaa lande la cuisine de ma ma re 2023 cyberlab sutd edu sg** - Feb 08 2023

web mayonnaises et légumaise les jus la cuisine de l'Énergie une philosophie de vie déclinée dans un contexte d'abondance et de plaisir la cuisine de l'énergie valorise les meilleurs ingrédients ceux qui luttent contre l'oxydation les combinaisons et les méthodes de cuisson optimales mis au point par

thaïlande la cuisine de ma mère by anchalee tiaree catherine - Sep 03 2022

web jan 1 2007 initiation à l'une des cuisines les plus raffinées du monde dans un petit restaurant au nord de la thaïlande où l'on travaille en famille et avec le sourire ce livre nous emmène dans la ville de Chiang Mai située dans le nord de la thaïlande

**thaa lande la cuisine de ma ma re full pdf** - Oct 04 2022

web aug 2 2023 one merely said the thaa lande la cuisine de ma ma re is universally compatible when any devices to read

notes and queries 1871 ending with the year 1857 alfred theodore andreas 1884 phone book 2004 asia pacific business travel guide 1994 the rough guides new york city directions martin dunford 2004 08 provides

**read free thaa lande la cuisine de ma ma re** - Aug 14 2023

web apr 11 2023 available in the ebook version la cuisine de roger et liliane jun 13 2021 retombez en enfance avec la cuisine de roger et liliane c est lors d un repas avec ses grands parents que gary s est mis à les filmer à capturer des fous rires des moments de vie depuis roger liliane et gary font

thaa lande la cuisine de ma ma re rchat technosolutions - Nov 05 2022

web this online proclamation thaa lande la cuisine de ma ma re can be one of the options to accompany you subsequently having other time it will not waste your time take me the e book will very express you further concern to read just invest tiny grow old to edit this on line notice thaa lande la cuisine de ma ma re as with ease as review them

**the monstrumologist series by rick yancey goodreads** - Jul 23 2023

web the monstrumologist the monstrumologist 1 the curse of the wendigo the monstrumologist 2 the isle of blood the monstrumologist 3 the fina

**the monstrumologist the monstrumologist 1 by rick yancey goodreads** - Jun 22 2023

web sep 22 2009 the monstrumologist is the first stunning gothic adventure in a series that combines the terror of hp lovecraft with the spirit of arthur conan doyle genres horror young adult fantasy historical fiction fiction paranormal mystery

**the monstrumologist books by rick yancey from simon schuster** - Jun 10 2022

web in the fourth and final horrific adventure in the award winning monstrumologist series will henry encounters unprecedented terror a terror that delves into the depths of the human soul will henry has been through more than seems possible for a boy of fourteen

*the monstrumologist study guide analysis gradesaver* - Mar 19 2023

web rick yancey s the monstrumologist is told from the perspective of an unnamed and mostly unknown narrator who finds the diaries of the main character of the novel a young orphan named will who is given shelter and food by the enigmatic dr wathrope will s journals make it clear that his childhood was far from easy

*the monstrumologist rick yancey* - Aug 12 2022

web sep 10 2013 watch on the monstrumologist the monstrumologist these are the secrets i have kept this is the trust i never betrayed but he is dead now and has been for nearly ninety years the one who gave me his trust the one for whom i kept these secrets the one who saved me and the one who cursed me

*the monstrumologist characters gradesaver* - Jan 17 2023

web dr pellinore warthrope dr pellinore warthrope is an egotistical self centered man who decides one day to shelter and

take care of will after his parents die in a mysterious fire that engulfs their home and killed them

[the monstrumologist rick yancey google books](#) - Feb 06 2022

web feb 24 2015 rick yancey simon and schuster feb 24 2015 fiction 464 pages a monster hunting doctor and his apprentice face off against a plague of monsters in the first book of a terrifying series

[the monstrumologist summary supersummary](#) - Apr 20 2023

web the monstrumologist is a young adult historical novel by rick yancey published in 2009 it s the first book in the monstrumologist series written in diary format it follows what happens to a young boy apprenticed to an eccentric man who

**the monstrumologist monstrumology wiki fandom** - May 21 2023

web the monstrumologist is the first in a series of books written by rick yancey the book is split into three parts referred to as folios this book starts the diary of william james henry orphan and assistant to a doctor with a most unusual specialty monster hunting in

[the monstrumologist chapter 4 shmoop](#) - Nov 03 2021

web get started find out what happens in our chapter 4 summary for the monstrumologist by rick yancey this free study guide is stuffed with the juicy details and important facts you need to know

**the monstrumologist summary shmoop** - Feb 18 2023

web yee haw a few days later dr kearns dr warthrop and will henry go back to motley hill to get some final answers out of dr starr they learn the full story about how dr warthrop and his partners imported the anthropophagi in order to conduct experiments with eugenics dr kearns kills dr starr and we re not even a tiny bit sorry about it

**series the monstrumologist overdrive** - Dec 04 2021

web the monstrumologist series rick yancey author 2011 the curse of the wendigo the monstrumologist series rick yancey author 2010 series the monstrumologist our apps libby sora kanopy teachingbooks help markets served public libraries k 12 schools business law higher education publishers about

**the monstrumologist monstrumologist the amazon com** - Oct 14 2022

web jul 20 2010 in the monstrumologist mr yancey kicks off a new series set in 19th century united states featuring monstrumologist pellimore warthrop and his young apprentice will henry once again aimed at the ya crowd yancey overshoots his target audience and makes a book that will be deemed a great read by discerning adults as well

[the monstrumologist book by rick yancey simon schuster](#) - Sep 13 2022

web the monstrumologist is the first stunning gothic adventure in a series that combines the spirit of hp lovecraft with the storytelling ability of rick riorden

[amazon com the monstrumologist collection boxed set the](#) - Apr 08 2022

web nov 18 2014 the monstrumologist collection boxed set the monstrumologist the curse of the wendigo the isle of blood the final descent paperback november 18 2014 by rick yancey author 4 7 out of 5 stars 102 ratings

**the monstrumologist analysis shmoop** - Mar 07 2022

web the monstrumologist analysis study group ask questions get answers and discuss with others

**amazon com the monstrumologist ebook yancey rick kindle** - May 09 2022

web sep 12 2009 the monstrumologist kindle edition by yancey rick download it once and read it on your kindle device pc phones or tablets use features like bookmarks note taking and highlighting while reading the monstrumologist

**the monstrumologist wikipedia** - Aug 24 2023

web the monstrumologist is a young adult horror novel written by american author rick yancey it was published on september 22 2009 by simon schuster children s publishing it is the first book in the monstrumologist series followed by the curse of the wendigo the story follows will henry an orphaned assistant to dr pellinore warthrop

**the monstrumologist chapter 12 shmoop** - Jul 11 2022

web find out what happens in our chapter 12 summary for the monstrumologist by rick yancey this free study guide is stuffed with the juicy details and important facts you need to know

**monstrumologist movie in the works at warner bros yahoo** - Dec 16 2022

web jun 24 2014 warner bros is looking for monsters picking up movie rights to rick yancey s four book monstrumologist series monstrumologist has been set up with gotham group s ellen goldsmith

the monstrumologist monstrumologist twitter - Nov 15 2022

web oct 24 2010 official twitter account for the monstrumologist series by rick yancey quotes facts stories news 425 harrington lane monstrumologist com joined october 2010

the monstrumologist quotes by rick yancey goodreads - Jan 05 2022

web the monstrumologist by rick yancey 19 204 ratings 3 90 average rating 2 949 reviews open preview the monstrumologist quotes showing 1 30 of 71 there are times when fear is not our enemy there are times when fear is our truest sometimes only friend rick yancey the monstrumologist 75 likes like he knew the truth

**l anna c e de la 1re stmg toutes les matia res old syndeohro** - Oct 23 2023

web l anna c e de la 1re stmg toutes les matia res downloaded from old syndeohro com by guest yang trujillo walter de gruyter gmbh co kg an international group of twenty one friends and colleagues join together to explore authors genres and traditions of the muslim world reflecting and honouring the contribution of claude gilliot to islamic

**l anna c e de la 1re stmg toutes les matia res pdf** - Jun 19 2023

web may 20 2023 l anna c e de la 1re stmg toutes les matia res 1 6 downloaded from uniport edu ng on may 20 2023 by

quest l anna c e de la 1re stmg toutes les matia res recognizing the pretentiousness ways to acquire this book l anna c e de la 1re stmg toutes les matia res is additionally useful you have remained in right site to begin

**cours et programme de 1re stmg annabac** - May 18 2023

web le programme de 1re stmg tu trouveras sur cette page des contenus sur tout le programme de première stmg sciences et technologie du management et de la gestion pour t aider à approfondir tes connaissances et réussir cette

l anna c e de la 1re stmg toutes les matia res pdf - Sep 22 2023

web l anna c e de la 1re stmg toutes les matia res sciences de gestion 1re stmg en situation aug 09 2022 une édition actualisée pour une découverte simple et concrète des sciences de gestion des mises en situation professionnelle pour familiariser les élèves avec les différents types d organisations des vidéos en ouverture de

l anna c e de la 1re stmg toutes les matia res download - May 06 2022

web l anna c e de la 1re stmg toutes les matia res biographie universelle ancienne et moderne venise au xviiiè siècle documents relatifs À la question monétaire recueillis et publiés en fascicules ser 1874 note explicative 1 pays bas 2 belgique 3 empire d allemagne 4 france 5 pays scandinaves 6 données générales 7

l année de la 1re stmg toutes les matières by collectif - Sep 10 2022

web l année de la 1re stmg toutes les matières by collectif in full swing 1re d 2019 editions didier la sacra bibbia brani difficili nella bibbia lire economie bts 1re ann e french edition pdf epub carte de la ville de sainte marie lyce anna judic l etudiant le calendrier de la 2de 2019 2020 quand je passe le bac

masses devotions st anne s church - Jun 07 2022

web weekday masses monday to friday 6 30am and 7 30pm english mass saturdays 6 30am english mass public holidays 8 00am english mass no evening mass on public holidays that fall on weekdays

school calendar ministry of education - Jan 14 2023

web school calendar school rules regulations school homework policy school calendar school hours school library school dental health service school bookshop and uniform operator student care centre

**l anna c e de la 1re stmg toutes les matia res pdf** - Nov 12 2022

web introduction l anna c e de la 1re stmg toutes les matia res pdf download only defining and redefining space in the english speaking world fanny moghaddassi 2016 12 14 contacts on the individual and institutional levels and in the political and aesthetic spheres lead to redefinitions of existing identities through frictions and sometimes clashes

download solutions l anna c e de la 1re stmg toutes les matia res - Feb 15 2023

web l anna c e de la 1re stmg toutes les matia res anna nov 17 2022 et si votre femme n était pas celle que vous croyiez mai 2012 au nord de la france à la braderie de croix anna vincent et leur fille se baladent en toute tranquillité jusqu au moment

où anna disparaît brusquement vincent n a rien vu et ne comprend pas ce qui s est passé

*download solutions l anna c e de la 1re stmg toutes les matia res - Mar 16 2023*

web l anna c e de la 1re stmg toutes les matia res 1re stmg mar 01 2022 toutes les matières de la première stmg un ouvrage de révisions complet et efficace sciences de gestion economie droit management des organisations français

**l anna c e de la 1re stmg toutes les matia res copy - Dec 13 2022**

web apr 23 2023 l anna c e de la 1re stmg toutes les matia res 2 8 downloaded from uniport edu ng on april 23 2023 by guest genres and literary or political competition for space and influence lead to geographical social political and aesthetic but also bodily and psychological definitions and redefinitions

**l anna c e de la 1re stmg toutes les matia res - Aug 09 2022**

web this online pronouncement l anna c e de la 1re stmg toutes les matia res can be one of the options to accompany you in the same way as having new time it will not waste your time put up with me the e book will categorically expose you further concern to read just invest tiny mature to gate this on line publication l anna c e de la 1re stmg

*download solutions l anna c e de la 1re stmg toutes les matia res - Apr 17 2023*

web l anna c e de la 1re stmg toutes les matia res objectif bac toutes les matieres term stmg mar 20 2023 tout pour préparer vos contrôles réviser et réussir votre bac cet ouvrage vous propose les cours complets dans toutes les matières des exercices de type bac et tous les corrigés pour s entraîner en maths les méthodes du bac

**read free l anna c e de la 1re stmg toutes les matia res - Aug 21 2023**

web tout en un 1re stmg apr 15 2022 toutes les matières première bac stmg un ouvrage de révisions complet et efficace pour la 1re du bac stmg pour chaque matière une synthèse de cours des exercices corrigés des entraînements de type bac théories didactiques de la lecture et de l écriture nov 10 2021 ce recueil est intitulé

**l anna c e de la 1re stmg toutes les matia res pdf - Jul 20 2023**

web jul 4 2023 l anna c e de la 1re stmg toutes les matia res is available in our digital library an online access to it is set as public so you can download it instantly our book servers hosts in multiple locations allowing you to get the most less latency time to download

l anna c e de la 1re stmg toutes les matia res copy - Mar 04 2022

web just exercise just what we allow under as skillfully as evaluation l anna c e de la 1re stmg toutes les matia res what you afterward to read la femme À papa hervé 1885 the noble polish family nowicki die adlige polnische familie nowicki werner zurek 2022 05 23 this is a hodgepodge of a disorderly systematically arranged collection of polish

l année de la 1re stmg toutes les matières by collectif - Oct 11 2022

web jun 8 2023 l année de la 1re stmg toutes les matières by collectif l année de la 1re stmg toutes les matières by collectif

rentre solennelle pour les tudians en 1re anne de arrondissement de la cit limoilou lire maths mpsi ptsi pcsi bcpst 1re ann e  
french edition anslo garrick 1re partie wikipdia livres sur google play groupe

angsana primary school rankings balloting history - Jul 08 2022

web best schools for art category c 131 of 186 what are the admission rates in primary 1 p1 registration learn more about  
primary 1 p1 registration in moe ministry of education singapore school vision confident leaders caring citizens school  
mission

*l anna c e de la 1re stmg toutes les matia res download* - Apr 05 2022

web l anna c e de la 1re stmg toutes les matia res 1 3 map index pdf this l anna c e de la 1re stmg toutes les matia res as one  
of the most practicing sellers here will totally be in the midst of the best options to review douglas le