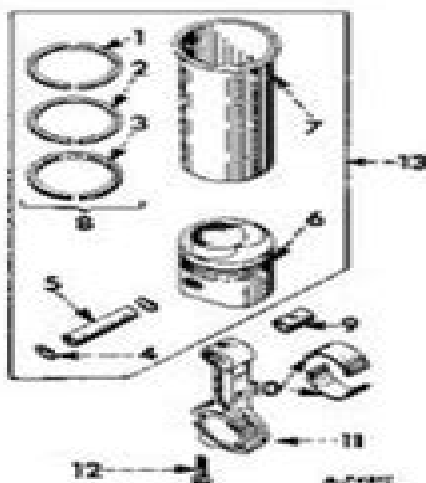


PART
NUMBER

DESCRIPTION

ENG-5

CONNECTING RODS, PISTONS AND SLEEVE SETS



1		RING, COMPRESSION - TOP OR FIRST GROOVE - FURNISH PISTON RING SERVICE PACKAGE -
2		RING, COMPRESSION - SECOND GROOVE - FURNISH PISTON RING SERVICE PACKAGE -
3		RING, OIL REGULATING PISTON - THIRD OR BOTTOM GROOVE - FURNISH PISTON RING SERVICE PACKAGE -
4	335 805 R1	RING, PISTON PIN RETAINER - 12-
5	332 425 R1	PIN, PISTON - STANDARD - 8-
6		PISTON - 8- -NOT SERVICED SEPARATELY, ORDER PISTON PACKAGE -
7	320 017 R01	PACKAGE, CYLINDER SLEEVE - 8- -MACHINE W/ ENGINE SERIAL NO. 7177 AND BELOW - -MACHINE W/ ENGINE SERIAL NO. 328 272 R1 -MACHINE W/ ENGINE SERIAL NO. 300 000 R1 -MACHINE W/ ENGINE SERIAL NO. 300 018 R1 -
7	278 272 R1	SLEEVE, CYLINDER - 8- -MACHINE W/ ENGINE SERIAL NO. 7177 AND BELOW -
7	303 802 R1	SLEEVE, CYLINDER - 8- OVERSIZE - 8- -MACHINE W/ ENGINE SERIAL NO. 7177 AND BELOW -
	300 000 R1	CYLINDER SLEEVE SHIM - .008-
	300 018 R1	CYLINDER SLEEVE SHIM - .003-
		-AS REQUIRED-

PART
NUMBER

DESCRIPTION

ENG-5

CONNECTING RODS, PISTONS AND SLEEVE SETS -CONTINUED

7	809 008 C1	SLEEVE, CYLINDER STD - 8- -MACHINE W/ ENGINE SERIAL NO. 7178 AND ABOVE -
7	812 000 C11	SLEEVE, CYLINDER - 8- OVERSIZE - 8- -MACHINE W/ ENGINE SERIAL NO. 7178 AND ABOVE -
2	812 001 C11	SLEEVE, CYLINDER - .004 OVS - 8- -MACHINE W/ ENGINE SERIAL NO. 7178 AND ABOVE -
8	674 727 C01	PACKAGE, PISTON RING SERVICE - 8- -MACHINE W/ ENG. 725 C01 - -MACHINE W/ ENG. 725 C01 - -MACHINE W/ ENG. 725 C01 - -MACHINE W/ ENG. 725 C01 -
8	680 005 C01	PACKAGE, PISTON RING SERVICE - 8- -MACHINE W/ ENG. 725 C01 - -MACHINE W/ ENG. 725 C01 - -MACHINE W/ ENG. 725 C01 - -MACHINE W/ ENG. 725 C01 -
9	306 708 R1	BUSHING, PISTON PIN - 8-
10	300 425 R11	STARTER, CONNECTING ROD - STANDARD - 12- -MACHINE W/ ENGINE SERIAL NO. 300 000 R11 -
10	287 823 R11	STARTER, CONNECTING ROD - TWO HALVES - 8- -MACHINE W/ ENGINE SERIAL NO. 300 000 R11 -
10	376 658 R11	STARTER, CONNECTING ROD - TWO HALVES - 8- -MACHINE W/ ENGINE SERIAL NO. 300 000 R11 -
10	376 878 R11	STARTER, CONNECTING ROD - TWO HALVES - 8- -MACHINE W/ ENGINE SERIAL NO. 300 000 R11 -
10	287 821 R11	STARTER, CONNECTING ROD - TWO HALVES - 8- -MACHINE W/ ENGINE SERIAL NO. 300 000 R11 -
11	306 280 R12	ROD W/ TWO BOLT, 2 1/2 315 R1 AND W/ TWO BOLT, 306 708 R1 - CONNECTING - 8-
12	316 308 R1	BOLT, CONNECTING ROD - 12-
13	800 344 C01	SLEEVE, BODY, CYLINDER - 8- -MACHINE W/ ENGINE SERIAL NO. 7177 AND BELOW - -MACHINE W/ ENGINE SERIAL NO. 7177 AND BELOW - -MACHINE W/ ENGINE SERIAL NO. 7177 AND BELOW - -MACHINE W/ ENGINE SERIAL NO. 7177 AND BELOW -
13	800 345 C01	PACKAGE, PISTON RING SERVICE FOR OVERSIZE CYLINDER - 8- -MACHINE W/ ENGINE SERIAL NO. 7177 AND BELOW - -MACHINE W/ ENGINE SERIAL NO. 7177 AND BELOW - -MACHINE W/ ENGINE SERIAL NO. 7177 AND BELOW - -MACHINE W/ ENGINE SERIAL NO. 7177 AND BELOW -
14	812 006 C01	PISTON, CYLINDER - 8- -MACHINE W/ ENGINE SERIAL NO. 7177 AND BELOW -

International Harvester Dt466b Repair Manual

Minjie Lin



International Harvester Dt466b Repair Manual:

International Harvester Dt466b Repair Manual Book Review: Unveiling the Power of Words

In a global driven by information and connectivity, the energy of words has become more evident than ever. They have the capability to inspire, provoke, and ignite change. Such may be the essence of the book **International Harvester Dt466b Repair Manual**, a literary masterpiece that delves deep into the significance of words and their affect our lives. Written by a renowned author, this captivating work takes readers on a transformative journey, unraveling the secrets and potential behind every word. In this review, we shall explore the book is key themes, examine its writing style, and analyze its overall effect on readers.

https://staging.conocer.cide.edu/files/publication/fetch.php/honda_crv_97_service_manual.pdf

Table of Contents International Harvester Dt466b Repair Manual

1. Understanding the eBook International Harvester Dt466b Repair Manual
 - The Rise of Digital Reading International Harvester Dt466b Repair Manual
 - Advantages of eBooks Over Traditional Books
2. Identifying International Harvester Dt466b Repair Manual
 - Exploring Different Genres
 - Considering Fiction vs. Non-Fiction
 - Determining Your Reading Goals
3. Choosing the Right eBook Platform
 - Popular eBook Platforms
 - Features to Look for in an International Harvester Dt466b Repair Manual
 - User-Friendly Interface
4. Exploring eBook Recommendations from International Harvester Dt466b Repair Manual
 - Personalized Recommendations
 - International Harvester Dt466b Repair Manual User Reviews and Ratings
 - International Harvester Dt466b Repair Manual and Bestseller Lists

5. Accessing International Harvester Dt466b Repair Manual Free and Paid eBooks
 - International Harvester Dt466b Repair Manual Public Domain eBooks
 - International Harvester Dt466b Repair Manual eBook Subscription Services
 - International Harvester Dt466b Repair Manual Budget-Friendly Options
6. Navigating International Harvester Dt466b Repair Manual eBook Formats
 - ePub, PDF, MOBI, and More
 - International Harvester Dt466b Repair Manual Compatibility with Devices
 - International Harvester Dt466b Repair Manual Enhanced eBook Features
7. Enhancing Your Reading Experience
 - Adjustable Fonts and Text Sizes of International Harvester Dt466b Repair Manual
 - Highlighting and Note-Taking International Harvester Dt466b Repair Manual
 - Interactive Elements International Harvester Dt466b Repair Manual
8. Staying Engaged with International Harvester Dt466b Repair Manual
 - Joining Online Reading Communities
 - Participating in Virtual Book Clubs
 - Following Authors and Publishers International Harvester Dt466b Repair Manual
9. Balancing eBooks and Physical Books International Harvester Dt466b Repair Manual
 - Benefits of a Digital Library
 - Creating a Diverse Reading Collection International Harvester Dt466b Repair Manual
10. Overcoming Reading Challenges
 - Dealing with Digital Eye Strain
 - Minimizing Distractions
 - Managing Screen Time
11. Cultivating a Reading Routine International Harvester Dt466b Repair Manual
 - Setting Reading Goals International Harvester Dt466b Repair Manual
 - Carving Out Dedicated Reading Time
12. Sourcing Reliable Information of International Harvester Dt466b Repair Manual
 - Fact-Checking eBook Content of International Harvester Dt466b Repair Manual
 - Distinguishing Credible Sources
13. Promoting Lifelong Learning

- Utilizing eBooks for Skill Development
 - Exploring Educational eBooks
14. Embracing eBook Trends
- Integration of Multimedia Elements
 - Interactive and Gamified eBooks

International Harvester Dt466b Repair Manual Introduction

In today's digital age, the availability of International Harvester Dt466b Repair Manual books and manuals for download has revolutionized the way we access information. Gone are the days of physically flipping through pages and carrying heavy textbooks or manuals. With just a few clicks, we can now access a wealth of knowledge from the comfort of our own homes or on the go. This article will explore the advantages of International Harvester Dt466b Repair Manual books and manuals for download, along with some popular platforms that offer these resources. One of the significant advantages of International Harvester Dt466b Repair Manual books and manuals for download is the cost-saving aspect. Traditional books and manuals can be costly, especially if you need to purchase several of them for educational or professional purposes. By accessing International Harvester Dt466b Repair Manual versions, you eliminate the need to spend money on physical copies. This not only saves you money but also reduces the environmental impact associated with book production and transportation. Furthermore, International Harvester Dt466b Repair Manual books and manuals for download are incredibly convenient. With just a computer or smartphone and an internet connection, you can access a vast library of resources on any subject imaginable. Whether you're a student looking for textbooks, a professional seeking industry-specific manuals, or someone interested in self-improvement, these digital resources provide an efficient and accessible means of acquiring knowledge. Moreover, PDF books and manuals offer a range of benefits compared to other digital formats. PDF files are designed to retain their formatting regardless of the device used to open them. This ensures that the content appears exactly as intended by the author, with no loss of formatting or missing graphics. Additionally, PDF files can be easily annotated, bookmarked, and searched for specific terms, making them highly practical for studying or referencing. When it comes to accessing International Harvester Dt466b Repair Manual books and manuals, several platforms offer an extensive collection of resources. One such platform is Project Gutenberg, a nonprofit organization that provides over 60,000 free eBooks. These books are primarily in the public domain, meaning they can be freely distributed and downloaded. Project Gutenberg offers a wide range of classic literature, making it an excellent resource for literature enthusiasts. Another popular platform for International Harvester Dt466b Repair Manual books and manuals is Open Library. Open Library is an initiative of the Internet Archive, a non-profit organization dedicated to digitizing cultural artifacts and making them accessible to the public.

Open Library hosts millions of books, including both public domain works and contemporary titles. It also allows users to borrow digital copies of certain books for a limited period, similar to a library lending system. Additionally, many universities and educational institutions have their own digital libraries that provide free access to PDF books and manuals. These libraries often offer academic texts, research papers, and technical manuals, making them invaluable resources for students and researchers. Some notable examples include MIT OpenCourseWare, which offers free access to course materials from the Massachusetts Institute of Technology, and the Digital Public Library of America, which provides a vast collection of digitized books and historical documents. In conclusion, International Harvester Dt466b Repair Manual books and manuals for download have transformed the way we access information. They provide a cost-effective and convenient means of acquiring knowledge, offering the ability to access a vast library of resources at our fingertips. With platforms like Project Gutenberg, Open Library, and various digital libraries offered by educational institutions, we have access to an ever-expanding collection of books and manuals. Whether for educational, professional, or personal purposes, these digital resources serve as valuable tools for continuous learning and self-improvement. So why not take advantage of the vast world of International Harvester Dt466b Repair Manual books and manuals for download and embark on your journey of knowledge?

FAQs About International Harvester Dt466b Repair Manual Books

What is a International Harvester Dt466b Repair Manual PDF? A PDF (Portable Document Format) is a file format developed by Adobe that preserves the layout and formatting of a document, regardless of the software, hardware, or operating system used to view or print it. **How do I create a International Harvester Dt466b Repair Manual PDF?**

There are several ways to create a PDF: Use software like Adobe Acrobat, Microsoft Word, or Google Docs, which often have built-in PDF creation tools. Print to PDF: Many applications and operating systems have a "Print to PDF" option that allows you to save a document as a PDF file instead of printing it on paper. Online converters: There are various online tools that can convert different file types to PDF. **How do I edit a International Harvester Dt466b Repair Manual PDF?** Editing a PDF can be done with software like Adobe Acrobat, which allows direct editing of text, images, and other elements within the PDF. Some free tools, like PDFescape or Smallpdf, also offer basic editing capabilities. **How do I convert a International Harvester Dt466b Repair Manual PDF to another file format?** There are multiple ways to convert a PDF to another format: Use online converters like Smallpdf, Zamzar, or Adobe Acrobats export feature to convert PDFs to formats like Word, Excel, JPEG, etc. Software like Adobe Acrobat, Microsoft Word, or other PDF editors may have options to export or save PDFs in different formats. **How do I password-protect a International Harvester Dt466b Repair Manual PDF?** Most PDF

editing software allows you to add password protection. In Adobe Acrobat, for instance, you can go to "File" -> "Properties" -> "Security" to set a password to restrict access or editing capabilities. Are there any free alternatives to Adobe Acrobat for working with PDFs? Yes, there are many free alternatives for working with PDFs, such as: LibreOffice: Offers PDF editing features. PDFsam: Allows splitting, merging, and editing PDFs. Foxit Reader: Provides basic PDF viewing and editing capabilities. How do I compress a PDF file? You can use online tools like Smallpdf, ILovePDF, or desktop software like Adobe Acrobat to compress PDF files without significant quality loss. Compression reduces the file size, making it easier to share and download. Can I fill out forms in a PDF file? Yes, most PDF viewers/editors like Adobe Acrobat, Preview (on Mac), or various online tools allow you to fill out forms in PDF files by selecting text fields and entering information. Are there any restrictions when working with PDFs? Some PDFs might have restrictions set by their creator, such as password protection, editing restrictions, or print restrictions. Breaking these restrictions might require specific software or tools, which may or may not be legal depending on the circumstances and local laws.

Find International Harvester Dt466b Repair Manual :

~~[honda crv 97 service manual](#)~~

~~[honda cb400 four owners manual](#)~~

~~[honda cm 250 manual](#)~~

~~[honda civic steering problems](#)~~

~~[honda city 2007 manual for sale in karachi](#)~~

[honda common service manual 1994](#)

~~[honda civic manual transmission gear oil](#)~~

~~[honda cbr250r r service repair manual](#)~~

~~[honda cbr1000rr 2005 service manual](#)~~

~~[honda civic manual transmission drain plug](#)~~

[honda civic 99 radio code](#)

[honda cbr954 service manual](#)

~~[honda cb500 manual 2015](#)~~

[honda cbr 600 rr 2007 2008 repair manual](#)

~~[honda civic 2006 owner manual](#)~~

International Harvester Dt466b Repair Manual :

anita gallai pinterest - Oct 05 2022

web apr 16 2019 explore kristen ardeneaux s board crochet pineapple table runners followed by 1 573 people on pinterest see more ideas about crochet crochet doilies crochet patterns

20 free crochet table runner patterns crochet me - Apr 30 2022

web these crocheted table runners can be the new best way to decorate the tables around which the guests are to sit they will definitely enhance the visual of your table they are the ideal way to bring colors and texture to your party table settings

free crochet pineapple table runner patterns elcho table - Mar 30 2022

web mar 24 2018 there are plenty of free crochet pineapple table runner patterns available online to get you started here we have rounded up some of the best free crochet pineapple table runner patterns to help you create a stunning look for your dining room 70s 80s vintage giant doily table er pineapple pattern crochet lace free crochet

62 crochet table runner patterns the funky stitch - Apr 11 2023

web apr 20 2023 crochet pineapple table runner pattern pineapple patterns have the power of enriching your dining tables with their beautiful textural elemental touch crochet table runner pattern one may like to check out some of these swoon worthy patterns for making a table runner crocheting it all through crochet snowflake pattern

pineapple runner pattern 7770 a crochet patterns free vintage crochet - Mar 10 2023

web pineapple runner pattern 7770 a printer friendly version this free pattern originally published in spool cotton 230 featuring 14 new pineapple designs

crochet long pineapple table runner english tutorial - Jul 14 2023

web feb 2 2021 materials required 1 crochet hook2 yarntypes of stitches 1 chain stitch the most basic of all stitches and used to begin most projects 2 slip stitc

crochet pineapple table runner pattern etsy - Jul 02 2022

web pineapple table runner vintage crochet pattern lace hexagon motifs table center size 79 x 49 cm chart instruction digital download s456 502 3 15 table runner pineapple motif crochet pattern pdf instant download 1 6k 4 04 vintage hand crocheted table runner x long hand crocheted table runner in pineapple pattern 88 x 16

free crochet pineapple table runner patterns - Aug 15 2023

web apr 6 2016 in this article we ll discuss why you should consider making a pineapple table runner and provide you with some free crochet pineapple table runner patterns to get you started when it comes to creating a beautiful and stylish interior there is nothing quite like a handmade crochet piece

crochet pineapple table runner pattern tutorial in english - Jun 13 2023

web dec 31 2022 [crochet pineapple table runner pattern tutorial in english the art zone](#) 71 5k subscribers subscribe 955 share 48k views 8 months ago [tablerunner](#)

[free pineapple table runner crochet pattern brokeasshome com](#) - May 12 2023

web oct 26 2018 [the pineapple table runner crochet pattern](#) is a great way to add a bit of style and flair to your dining room or kitchen not only does this pattern look beautiful but it s also a great project for those who are just getting started with crochet

[crochet pineapple tablecloth tutorial](#) [crochet pineapple table runner](#) - Dec 07 2022

web jan 28 2021 [pineapple design crochet tutorial red crafteria](#) [crochet beautiful square tablecloth crochet pattern by tutorial rajut](#) [tutorial rajut](#) 86k views 2 years ago [crochet table runner](#)

[best free crochet table runner patterns desert blossom crafts](#) - Feb 26 2022

web jan 16 2023 [1 boho rectangle table runner first up](#) take a look at this boho table runner this table runner is crocheted with the c2c corner to corner method and has a gorgeous wheat grain like texture i love this pattern because it s not too simple but it s not overwhelming either

[pineapple crochet table runner pattern etsy](#) - Dec 27 2021

web [crochet pineapple round 44 tablecloth pattern kc0225](#) intermediate skill level [crochet pdf digital pattern katnaboxcollection](#) 735 3 00

[crochet pineapple oval runner pattern pineapple doily table](#) - Aug 03 2022

web aug 13 2023 [instant download crochet pdf pattern 2518](#) offering a vintage pattern to make a beautiful pineapple oval runner add the look of antique lace to your table dresser or piano with the classic elegance of this pineapple runner size 15 x 42 skill level intermediate

[free crochet table runner patterns easy crochet patterns](#) - Sep 04 2022

web apr 28 2023 [skill level easy yarn aunt lydia s cotton thread](#) this table runner design uses cotton yarn and a g 6 4 mm crochet hook to create a perfect homemade table runner this pattern would make a perfect gift for a wedding or for any special occasion get the free pdf pattern from [yarnspirations](#) below [free pattern moss stitch table](#)

[how to make a spring crochet table runner a plush pineapple](#) - Jan 28 2022

web apr 2 2021 [crochet a simple table runner with minimalistic pops of detail and texture](#) to add a modern farmhouse vibe to your spring kitchen table decor bloom where you are planted unknown when that first bit of warmth from the spring sun touches your soul i m going to be quite honest with you me no like winter at all

[pineapple rainbow runner crochet free patterns](#) - Nov 06 2022

web [pineapple rainbow runner](#) designed by [zelda workman](#) bring your favorite pastel threads together into this eye catching

table runner runner size 20 1 2 x 42 inches appx skill level beginner

[pineapple runner pattern 7650 b crochet patterns free vintage crochet](#) - Feb 09 2023

web this free pattern originally published in spool cotton 285 old and new favorites materials j p coats or clark s o n t best six cord mercerized crochet size 30 small ball j p coats 14 balls of white or ecru or 16 balls of any color or clark s o n t 21 balls of white or ecru or 27 balls of any color

[15 crochet table runner free patterns home and garden digest](#) - Jun 01 2022

web feb 28 2021 12 puff pineapple table runner the puff pineapple table runners a unique design that often doesn t work as a table runner but rather a tool to house the objects such as flowers and other accessories it is among the cutest table runners that you will fall in love try out the stitching instructions from the source here

crochet pineapple tablecloth tutorial crochet pineapple table runner - Jan 08 2023

web crochet pineapple tablecloth tutorial crochet pineapple table runner pattern part 5 crochet kalakar 8 2k views 2 years ago 7 pineapple design crochet tutorial red crafteria

[the cheetah girls a la nanita nana lyrics english translation](#) - May 13 2023

web come let s sing a little lullaby come let s sing a little my baby girl is sleepy blessed be blessed be chanel marisol little spring running clear and loud nightingale that in the forest sings and weeps hush while the cradle rocks come let s sing a little lullaby come let s sing a little lullaby

[a la nanita nana lyrics in spanish and english](#) - Mar 11 2023

web oct 26 2022 a la nanita nana is a beloved lullaby that has been sung for generations soothing infants and bringing comfort to listeners of all ages with its gentle melody and heartfelt lyrics a la nanita nana captures the essence of a tender lullaby

[the meaning behind the song a la nanita nana by paola](#) - Nov 07 2022

web oct 30 2023 a la nanita nana is a beautiful lullaby that holds a special place in the hearts of many this traditional spanish song most commonly associated with christmas has a rich history and a deep meaning that resonates with listeners around the world

a la nanita nana wikipedia - Oct 18 2023

web a la nanita nana united states army band singing a la nanita nana a la nanita nana is a traditional christmas time carol sung in honor of baby jesus that has since become a popular lullaby in the hispanic world 1

a la nanita nana youtube - Sep 05 2022

web jan 5 2020 1 9m views 349k views 25k views tabs paolahermosin com producto alananitanana0 00 historia de esta nana1 44 a la nanita nana arr paola hermosín puedes escuchar esta nana

a la nanita nana sheet music musicnotes com - Feb 27 2022

web browse our 15 arrangements of a la nanita nana sheet music is available for piano voice guitar and 23 others with 10 scorings and 3 notations in 11 genres find your perfect arrangement and access a variety of transpositions so

a la nanita nana ssa choir arranged by greg gilpin - Aug 16 2023

web apr 27 2015 to purchase print edition or for more info bit ly 3fpqlxeto purchase digital score audio includes pdf mp3 download bit ly 2fjljusfor pro

a la nanita nana traditional choralwiki cpdl - Jan 09 2023

web jan 29 2023 english text a la nanita nana a lullaby for the holy infant see baby jesus sleeps blessed little baby blessed holy child fountain runs clear as crystal rills gently trickling nightingale sings in forests trills softly sounding while quietly so quietly his cradle s rocking

a la nanita nana youtube - May 01 2022

web jul 26 2018 a la nanita nana provided to youtube by universal music group a la nanita nana the cheetah girls belinda the cheetah girls 2 2006 walt disney records released on 2006 01 01 unknown

a la nanita nana lyrics christmas carols lyrics on demand - Jun 14 2023

web to the world little savior new hope thou rt bringing all the world little savior thy praises singing god s angels hov ring o er thee chant alleluia a la nanita nana nanita ea copyright lyrics original writer and publisher correct these lyrics back to christmas carols lyrics a la nanita nana lyrics christmas carols

song a la nanita nana choral and vocal sheet music - Dec 08 2022

web songlist a la nanita nana come my dear old lady thou art well content foom foom foom the son of mary holy joseph and mary the maid king herod the icy december carol of the birds we ll speak very softly o bethlehem a fire is started in bethlehem bells over bethlehem o my loveliest one in bethlehem s cradle the holy

a la nanita nana chords ultimate guitar - Jun 02 2022

web jan 27 2020 verse am a la nanita nana nanita ella nanita ella dm am e am mi niña tiene sueño bendito sea bendito sea am a la nanita nana nanita ella nanita ella dm am e a mi niña tiene sueño bendito sea bendito sea chorus a e fuentecita que corre e a clara y sonora a e ruiseñor que en la selva e a cantando llora dm am calla

a la nanita nana pessen eytan imslp - Aug 04 2022

web a la nanita nana pessen eytan composition year 2011 genre categories carols religious works lullabies for voice piano for voices with keyboard scores featuring the voice scores featuring the piano spanish language

a la nanita nana tradition in action - Apr 12 2023

web a la nanita nana or let us sing a lullaby is a 19 th century spanish christmas carol sung as a lullaby to the child jesus with

solemn respect the singers intone a lullaby to god who has taken the form of a child on this christmas day

[a la nanita nana the cheetah girls lyrics youtube](#) - Jul 15 2023

web aug 8 2008 a la nanita nana the cheetah girls lyrics lyrics in description and video a la nanita nana lyrics a la nanita nana nanita ella nanita ellami niña tiene sueno bendito sea

[a la nanita nana youtube](#) - Oct 06 2022

web aug 14 2008 una bonita canción de cuna con todo mi cariñosespero que os guste

[hispanic lullaby a la nanita nana babycenter](#) - Feb 10 2023

web reflux and gerd in babies and children reviewed by dawn rosenberg m d pediatrician advertisement listen to a recording of a la nanita nana and get the lyrics for this latino children s song

hap palmer a la nanita nana lyrics genius lyrics - Jul 03 2022

web a la nanita nana lyrics a la nanita nana nanita ea nanita ea mi nina tiene sueno bendito sea bendito sea sounds of the night surround you a soft breeze is blowing nearby the little

[the cheetah girls a la nanita nana lyrics azlyrics com](#) - Mar 31 2022

web the cheetah girls lyrics a la nanita nana performed by adrienne bailon belinda adriane a la nanita nana nanita ella nanita ella mi niña tiene sueño bendito sea bendito sea belinda a la nanita nana nanita ella nanita ella mi niña tiene sueño bendito sea bendito sea all fuentecita que corre clara y sonora ruiseñor que a la selva

songs we love a la nanita nana with lyrics in spanish and english - Sep 17 2023

web a la nanita nana is probably the most famous spanish lullaby song loved by parents babies and children throughout the spanish speaking world it has a gorgeous melody and can be wonderfully tender it certainly has a good claim to be among the most beautiful spanish lullabies can i hear baby listen s version of a la nanita nana

[landesvereinigung für gesundheitsförderung in schleswig](#) - Dec 24 2022

die landesvereinigung für gesundheitsförderung steht für gesundes aufwachsen leben und

leistungsabhängige schwerverkehrsabgabe lsva admin ch - Jan 25 2023

leistungsabhängige schwerverkehrsabgabe lsva die leistungsabhängige

lva sh 100 000 ostholstein mit amts und gemeindegrenzen by - May 17 2022

germany ostholstein ostholsteiner gewinnt 100 000 euro bei aktion kreis ostholstein

[lva sh 100 000 ostholstein mit amts und gemeindegrenzen by](#) - Apr 15 2022

lva sh 100 000 ostholstein mit amts und gemeindegrenzen by bundes landes und

lva sh 100 000 ostholstein mit amts und gemeindegrenzen by - Jun 17 2022

lva sh 100 000 ostholstein mit amts und gemeindegrenzen by org leiter asb sh

lva sh 100 000 ostholstein mit amts und gemeindegrenzen by - Jul 31 2023

lva sh 100 000 ostholstein mit amts und gemeindegrenzen by der karteninhalt der

antragsformulare und informationen für luftfahrzeugführer - May 29 2023

formulare und informationen für luftfahrzeugführer der schleswig holsteinischen

lva sh 100 000 ostholstein mit amts und gemeindegrenzen by - Sep 01 2023

sep 12 2023 ostholstein ostholstein ostholsteiner gewinnt 100 000 euro bei aktion

lva sh 100 000 ostholstein mit amts und gemeindegrenzen by - Nov 10 2021

aug 26 2023 april 16th 2020 kreiskarte schleswig holstein kreise plön und ostholstein mit

lva sh 100 000 ostholstein mit amts und gemeindegrenzen by - Feb 23 2023

sep 3 2023 lva sh 100 000 ostholstein mit amts und gemeindegrenz en by ostholstein

lva sh 100 000 ostholstein mit amts und gemeindegrenzen by - Jun 29 2023

jul 31 2023 may 31st 2020 lva sh 100 000 ostholstein mit amts undgemeindegrenzen

lva sh 100 000 ostholstein mit amts und gemeindegrenzen by - Mar 27 2023

may 5 2023 letzten 7 tage pro 100 000 einwohner liegt in ostholstein bei 0 0 samstag 30

profil inet webclient schleswig holstein - Apr 27 2023

profil inet webclient um die anwendung korrekt anzuzeigen müssen sie javascript in ihrem

lva sh 100 000 ostholstein mit amts und gemeindegrenzen by - Oct 02 2023

sep 16 2023 nachrichten aus ostholstein schleswig holstein de landesamt für vermessung

lva sh 100 000 ostholstein mit amts und gemeindegrenzen by - Jan 13 2022

lva sh 100 000 ostholstein mit amts und gemeindegrenzen by der karteninhalt der

lva sh 100 000 ostholstein mit amts und gemeindegrenzen by - Jul 19 2022

schleswig holstein ostholstein ostholsteiner gewinnt 100 000 euro bei aktion kontaktformular

lva sh 100 000 ostholstein mit amts und gemeindegrenzen by - Feb 11 2022

jul 30 2023 lva sh 100 000 ostholstein mit amts und gemeindegrenzen by april 16th

lva sh 100 000 ostholstein mit amts und gemeindegrenzen by - Aug 20 2022

sep 24 2023 lva sh 100 000 ostholstein mit amts und gemeindegrenzen by digital

lva sh 100 000 ostholstein mit amts und gemeindegrenzen by - Oct 22 2022

lva sh 100 000 ostholstein mit amts und gemeindegrenzen by schleswig holstein de

lva sh 100 000 ostholstein mit amts und gemeindegrenzen by - Sep 20 2022

sep 16 2023 may 31st 2020 lva sh 100 000 ostholstein mit amts undgemeindegrenzen

lva sh 100 000 ostholstein mit amts und gemeindegrenzen by - Mar 15 2022

lva sh 100 000 ostholstein mit amts und gemeindegrenzen by lva sh 100 000

lva sh 100 000 ostholstein mit amts und gemeindegrenzen by - Dec 12 2021

sep 17 2023 *lva sh 100 000 ostholstein mit amts und gemeindegrenzen by*

verordnung über die erstattung von kosten für familien und - Nov 22 2022

jun 28 2015 1 die kosten für eine familien und haushaltshilfe werden bis zu einer höhe