

# Service Instructions

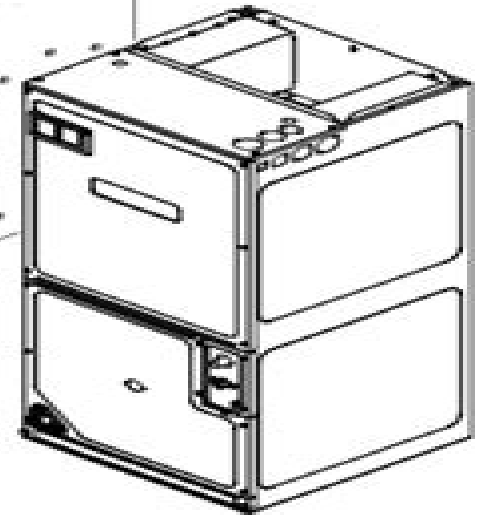
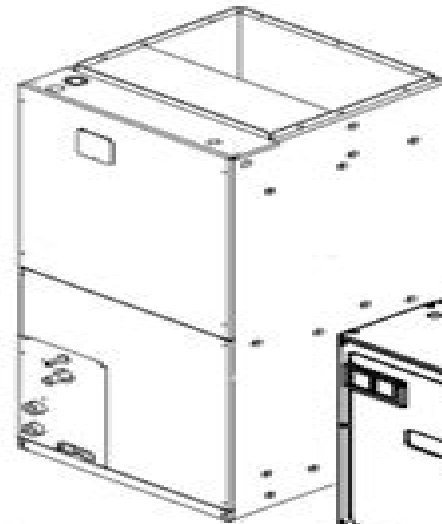
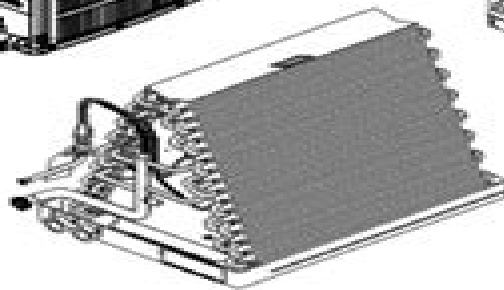
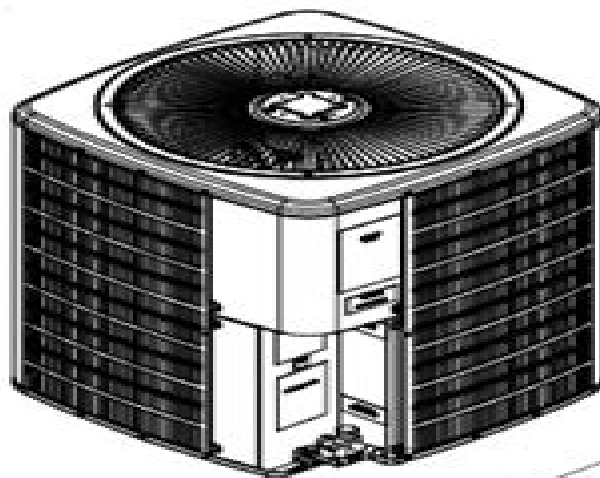
ANX, SSX, ASX, GSX, DSX

Condensing Units,

ANZ, SSZ, ASZ, GSZ, DSZ, VSX, VSZ Split System Heat Pumps

with R-410A Refrigerant

Blowers, Coils, & Accessories



This manual is to be used by qualified, professionally trained HVAC technicians only. The manufacturer does not assume any responsibility for property damage or personal injury due to improper service procedures or services performed by an unqualified person.

F3B 2000-06r 58  
January 2016

Copyright © 2006 - 2016 Goodman Manufacturing Company, LP

# Goodman Gsx13 Remote Cooling Service Manual

**Joacim Rocklöv**



## **Goodman Gsx13 Remote Cooling Service Manual:**

Uncover the mysteries within Crafted by is enigmatic creation, Embark on a Mystery with **Goodman Gsx13 Remote Cooling Service Manual** . This downloadable ebook, shrouded in suspense, is available in a PDF format ( \*). Dive into a world of uncertainty and anticipation. Download now to unravel the secrets hidden within the pages.

<https://staging.conocer.cide.edu/About/virtual-library/Documents/Movie%20Analysis%20Paper%20Sample.pdf>

## **Table of Contents Goodman Gsx13 Remote Cooling Service Manual**

1. Understanding the eBook Goodman Gsx13 Remote Cooling Service Manual
  - The Rise of Digital Reading Goodman Gsx13 Remote Cooling Service Manual
  - Advantages of eBooks Over Traditional Books
2. Identifying Goodman Gsx13 Remote Cooling Service Manual
  - Exploring Different Genres
  - Considering Fiction vs. Non-Fiction
  - Determining Your Reading Goals
3. Choosing the Right eBook Platform
  - Popular eBook Platforms
  - Features to Look for in an Goodman Gsx13 Remote Cooling Service Manual
  - User-Friendly Interface
4. Exploring eBook Recommendations from Goodman Gsx13 Remote Cooling Service Manual
  - Personalized Recommendations
  - Goodman Gsx13 Remote Cooling Service Manual User Reviews and Ratings
  - Goodman Gsx13 Remote Cooling Service Manual and Bestseller Lists
5. Accessing Goodman Gsx13 Remote Cooling Service Manual Free and Paid eBooks
  - Goodman Gsx13 Remote Cooling Service Manual Public Domain eBooks
  - Goodman Gsx13 Remote Cooling Service Manual eBook Subscription Services
  - Goodman Gsx13 Remote Cooling Service Manual Budget-Friendly Options
6. Navigating Goodman Gsx13 Remote Cooling Service Manual eBook Formats

- ePub, PDF, MOBI, and More
  - Goodman Gsx13 Remote Cooling Service Manual Compatibility with Devices
  - Goodman Gsx13 Remote Cooling Service Manual Enhanced eBook Features
7. Enhancing Your Reading Experience
    - Adjustable Fonts and Text Sizes of Goodman Gsx13 Remote Cooling Service Manual
    - Highlighting and Note-Taking Goodman Gsx13 Remote Cooling Service Manual
    - Interactive Elements Goodman Gsx13 Remote Cooling Service Manual
  8. Staying Engaged with Goodman Gsx13 Remote Cooling Service Manual
    - Joining Online Reading Communities
    - Participating in Virtual Book Clubs
    - Following Authors and Publishers Goodman Gsx13 Remote Cooling Service Manual
  9. Balancing eBooks and Physical Books Goodman Gsx13 Remote Cooling Service Manual
    - Benefits of a Digital Library
    - Creating a Diverse Reading Collection Goodman Gsx13 Remote Cooling Service Manual
  10. Overcoming Reading Challenges
    - Dealing with Digital Eye Strain
    - Minimizing Distractions
    - Managing Screen Time
  11. Cultivating a Reading Routine Goodman Gsx13 Remote Cooling Service Manual
    - Setting Reading Goals Goodman Gsx13 Remote Cooling Service Manual
    - Carving Out Dedicated Reading Time
  12. Sourcing Reliable Information of Goodman Gsx13 Remote Cooling Service Manual
    - Fact-Checking eBook Content of Goodman Gsx13 Remote Cooling Service Manual
    - Distinguishing Credible Sources
  13. Promoting Lifelong Learning
    - Utilizing eBooks for Skill Development
    - Exploring Educational eBooks
  14. Embracing eBook Trends
    - Integration of Multimedia Elements
    - Interactive and Gamified eBooks

## **Goodman Gsx13 Remote Cooling Service Manual Introduction**

In today's digital age, the availability of Goodman Gsx13 Remote Cooling Service Manual books and manuals for download has revolutionized the way we access information. Gone are the days of physically flipping through pages and carrying heavy textbooks or manuals. With just a few clicks, we can now access a wealth of knowledge from the comfort of our own homes or on the go. This article will explore the advantages of Goodman Gsx13 Remote Cooling Service Manual books and manuals for download, along with some popular platforms that offer these resources. One of the significant advantages of Goodman Gsx13 Remote Cooling Service Manual books and manuals for download is the cost-saving aspect. Traditional books and manuals can be costly, especially if you need to purchase several of them for educational or professional purposes. By accessing Goodman Gsx13 Remote Cooling Service Manual versions, you eliminate the need to spend money on physical copies. This not only saves you money but also reduces the environmental impact associated with book production and transportation. Furthermore, Goodman Gsx13 Remote Cooling Service Manual books and manuals for download are incredibly convenient. With just a computer or smartphone and an internet connection, you can access a vast library of resources on any subject imaginable. Whether you're a student looking for textbooks, a professional seeking industry-specific manuals, or someone interested in self-improvement, these digital resources provide an efficient and accessible means of acquiring knowledge. Moreover, PDF books and manuals offer a range of benefits compared to other digital formats. PDF files are designed to retain their formatting regardless of the device used to open them. This ensures that the content appears exactly as intended by the author, with no loss of formatting or missing graphics. Additionally, PDF files can be easily annotated, bookmarked, and searched for specific terms, making them highly practical for studying or referencing. When it comes to accessing Goodman Gsx13 Remote Cooling Service Manual books and manuals, several platforms offer an extensive collection of resources. One such platform is Project Gutenberg, a nonprofit organization that provides over 60,000 free eBooks. These books are primarily in the public domain, meaning they can be freely distributed and downloaded. Project Gutenberg offers a wide range of classic literature, making it an excellent resource for literature enthusiasts. Another popular platform for Goodman Gsx13 Remote Cooling Service Manual books and manuals is Open Library. Open Library is an initiative of the Internet Archive, a non-profit organization dedicated to digitizing cultural artifacts and making them accessible to the public. Open Library hosts millions of books, including both public domain works and contemporary titles. It also allows users to borrow digital copies of certain books for a limited period, similar to a library lending system. Additionally, many universities and educational institutions have their own digital libraries that provide free access to PDF books and manuals. These libraries often offer academic texts, research papers, and technical manuals, making them invaluable resources for students and researchers. Some notable examples include MIT OpenCourseWare, which offers free access to course materials from the Massachusetts Institute of Technology, and the Digital Public Library of America, which

provides a vast collection of digitized books and historical documents. In conclusion, Goodman Gsx13 Remote Cooling Service Manual books and manuals for download have transformed the way we access information. They provide a cost-effective and convenient means of acquiring knowledge, offering the ability to access a vast library of resources at our fingertips. With platforms like Project Gutenberg, Open Library, and various digital libraries offered by educational institutions, we have access to an ever-expanding collection of books and manuals. Whether for educational, professional, or personal purposes, these digital resources serve as valuable tools for continuous learning and self-improvement. So why not take advantage of the vast world of Goodman Gsx13 Remote Cooling Service Manual books and manuals for download and embark on your journey of knowledge?

### FAQs About Goodman Gsx13 Remote Cooling Service Manual Books

1. Where can I buy Goodman Gsx13 Remote Cooling Service Manual books? Bookstores: Physical bookstores like Barnes & Noble, Waterstones, and independent local stores. Online Retailers: Amazon, Book Depository, and various online bookstores offer a wide range of books in physical and digital formats.
2. What are the different book formats available? Hardcover: Sturdy and durable, usually more expensive. Paperback: Cheaper, lighter, and more portable than hardcovers. E-books: Digital books available for e-readers like Kindle or software like Apple Books, Kindle, and Google Play Books.
3. How do I choose a Goodman Gsx13 Remote Cooling Service Manual book to read? Genres: Consider the genre you enjoy (fiction, non-fiction, mystery, sci-fi, etc.). Recommendations: Ask friends, join book clubs, or explore online reviews and recommendations. Author: If you like a particular author, you might enjoy more of their work.
4. How do I take care of Goodman Gsx13 Remote Cooling Service Manual books? Storage: Keep them away from direct sunlight and in a dry environment. Handling: Avoid folding pages, use bookmarks, and handle them with clean hands. Cleaning: Gently dust the covers and pages occasionally.
5. Can I borrow books without buying them? Public Libraries: Local libraries offer a wide range of books for borrowing. Book Swaps: Community book exchanges or online platforms where people exchange books.
6. How can I track my reading progress or manage my book collection? Book Tracking Apps: Goodreads, LibraryThing, and Book Catalogue are popular apps for tracking your reading progress and managing book collections. Spreadsheets: You can create your own spreadsheet to track books read, ratings, and other details.
7. What are Goodman Gsx13 Remote Cooling Service Manual audiobooks, and where can I find them? Audiobooks: Audio

recordings of books, perfect for listening while commuting or multitasking. Platforms: Audible, LibriVox, and Google Play Books offer a wide selection of audiobooks.

8. How do I support authors or the book industry? Buy Books: Purchase books from authors or independent bookstores. Reviews: Leave reviews on platforms like Goodreads or Amazon. Promotion: Share your favorite books on social media or recommend them to friends.
9. Are there book clubs or reading communities I can join? Local Clubs: Check for local book clubs in libraries or community centers. Online Communities: Platforms like Goodreads have virtual book clubs and discussion groups.
10. Can I read Goodman Gsx13 Remote Cooling Service Manual books for free? Public Domain Books: Many classic books are available for free as they're in the public domain. Free E-books: Some websites offer free e-books legally, like Project Gutenberg or Open Library.

### **Find Goodman Gsx13 Remote Cooling Service Manual :**

**movie analysis paper sample**

[mott machine solution manual](#)

~~mount kenya university clinical medicine intake~~

**mp7 tech manual**

**motorola v3xx user guide**

[mr messy mr men and little miss book english edition](#)

**mpman mp av20 mp3 players owners manual**

[mpv repair manual](#)

~~mpumalanga department of health bursary app form 2016~~

*mpumalanga november geography paper1 2013 memorandum*

**ms 6340 ver 1 manual**

*mpc 26 propeller owner operator information manual*

~~movado 690903 watches owners manual~~

**mounted by a monster the vires house english edition**

**mphysics sl tz2 sp3**



**Goodman Gsx13 Remote Cooling Service Manual :**

**e learning project report template venngage** - Jun 13 2023

web design an innovative science statistics teaching aid and more with this e learning project report template change the icons integrate bold headings and use contrasting colors check out more unique teaching aid templates on venngage

**step by step building an e learning project researchgate** - Oct 05 2022

web nov 1 2012 this report presents the outcomes of the consultation sessions describing the views of the participating teachers on the future of learning and teaching

**project and report elearning learning** - Aug 03 2022

web dec 14 2015 if you need your elearning content to report data and have that data stored and available for you to format in a meaningful way you need a learning management system lms during this series you will prepare and then publish a project to a scorm compliant lms

**how to manage an elearning project** - Dec 27 2021

web once you scoped your elearning project the next step for managing elearning projects is to document it all by drafting a project plan and development timeline effective elearning project management is all about expectations and it s your job to manage them

**e learning website project report e learning website studocu** - Mar 10 2023

web unit 5 ncer project 02 final report developing and deploying effective e learning programs may require products and services supplied by a variety of vendors leaving one to connect the dots one way to start is to define the goals of the desired learning solution

**final report on the results of evaluation of the e learning for** - Jul 14 2023

web section of the report scale a project in two main ways 1 to distribute the project on the territory of ukraine for which purpose to conduct an information campaign for differentiated target groups about the possibility of being trained on online courses 2 to distribute the project outside ukraine wherefor to make subtitles translation

*project report and templates elearning learning* - Jun 01 2022

web jun 10 2017 browse project report and templates content selected by the elearning learning community

**elearning project management a complete guide template** - Aug 15 2023

web jun 14 2022 now meet elearning project management the practice of making sure that every part of the elearning development process runs synchronously on time and to standard in this article we re going to guide you on how to manage an elearning project and why it s important

**e learning project report yashraj nigam pdf slideshare** - May 12 2023

web apr 17 2018 project on e learning management system is to manage the details of assignment student teacher quiz question it manages all the information about assignment class question assignment the project is totally built at administrative end and thus only the administrator is guaranteed the access

*how to create an elearning project plan* - Jan 28 2022

web an elearning project plan can come in all sorts of shapes and sizes and many different elearning project management tools you can use there s no single method for creating or formatting a project plan or what information to include in it what s important is that you include the right information you need in order to gain agreement and

13 lms reports you can count on in elearning ispring - Mar 30 2022

web jan 31 2022 thanks to lms reports you gain key metrics to measure your elearning and evaluate learners in this article we ll guide you through the most important types of lms reports and show you how to translate vague statistics into a language of benefits for learning and business

**pdf e learning system abdulwahab jambeni ali** - Dec 07 2022

web faculty of business administration department of information technology project report title developing an e learning system course repository name abdullah muhammad kulesi registration number zu bba 4181 11 this is project report is submitted in partial fulfilment of the requirement for the bachelor degree of business information

**5 downloadable elearning project plan templates cognota** - Jul 02 2022

web apr 22 2022 best elearning project plan templates to download now use one or several of these templates to keep track of your current elearning projects these are built with the instructional designer course developer and training manager in mind additionally these can be uploaded to a cloud hosted document sharing service like

*a project report on e learning 1000 projects* - Sep 04 2022

web aug 29 2017 this website is provide to the e learning in higher secondary school this e learning website can be also provide information about question the user can get the online learning about question this is a static dynamic website designed to e learning the user can also fill own registration form

*e learning website project report pdf educational* - Jan 08 2023

web in classroom educational experiences via technology even as advances continue in regard to devices and curriculum e learning is the computer and network enabled transfer of skills and knowledge e learning applications and processes include web based learning computer based

e learning project report pdf object oriented programming - Apr 11 2023

web e learning project report free download as word doc doc docx pdf file pdf text file txt or read online for free e learning project analysis report

**pdf e learning project assessment a new approach through** - Apr 30 2022

web mar 10 2016 e learning project assessment a new approach through the analysis of learners posts on social media

**project report for e learning sharda associates** - Feb 09 2023

web the project report for e learning is as follows e learning often known as electronic learning is a type of education that occurs through the internet or through digital technologies it enables students to learn at their own pace on their own schedule and frequently in their preferred learning style

**elearning project report pdf feasibility study scribd** - Nov 06 2022

web elearning project report free download as word doc doc docx pdf file pdf text file txt or read online for free this is a report on e learning project

*create an elearning project plan in 3 simple steps template* - Feb 26 2022

web get your project rocking with this free elearning project plan template this example plan and lessons will kickstart your elearning project

**mercury 2 5 hp outboard problems troubleshooting guide** - Feb 27 2022

web may 16 2023 to troubleshoot starting problems in mercury 2 5 hp outboard check the fuel tank and fuel lines for blockages test the spark plug and ignition system check the carburetor and fuel pump and examine the battery for proper voltage

fuel system issue mercury outboard fuel system repair - Nov 07 2022

web aug 18 2021 follow along as i figure out my fuel system issue on my mercury outboard fuel system repair website to find your parts mercury marine com en u

**mercury outboard troubleshooting section main page** - Jun 02 2022

web basic mercury outboard schematics troubleshooting mercury outboard battery cd ignitions troubleshooting mercury outboard alternator driven ignition mercury outboard cranking voltage chart mercury outboard peak voltage adapter and resistance chart did you remember rebuilding tips

**why your mercury outboard motor stopped working** - Apr 12 2023

web feb 17 2021 to check if a fuse has blown use a screwdriver to remove the electrical cover of the motor with pliers carefully remove the fuse holder if the center is broken that means it s blown you ll have to check the mercury outboard repair manual to determine the correct amperage needed to replace it

**mercury outboard troubleshooting mercury outboard forums** - Jul 15 2023

web mercury outboard troubleshooting mercury outboard discussions 4 stroke bracket cable carburetor code color compression cooling crankshaft cylinder dealer diagram drive electric exhaust flywheel fuel fuel pump gasket gauge

gearcase impeller jack plate key leak loss lower unit

**mercury outboard troubleshooting repair youtube** - Sep 05 2022

web aug 12 2023 share your videos with friends family and the world

**owner s resources mercury marine** - Dec 08 2022

web to order a printed version of the service manual for your particular mercury outboard or mercruiser engine click here if the electronic version of the owner s manual is not available for your engine please contact mercury support at 920 929 5110 to receive one

**uncovering the most common issues with mercury s 9 9 boat** - Dec 28 2021

web may 15 2023 among the most common problems with this engine are fuel system issues and carburetor clogging these problems may cause your engine to run poorly or not start at all in this article we will explore these issues in more detail and offer some suggestions on how to fix them

**service support mercury marine** - Mar 11 2023

web customer support have a question let us help mercury s extensive support services will have you back on the water and worry free in no time for diagnostic assistance please contact an authorized mercury dealer contact us find your local mercury dealer

**mercury 2 stroke outboard troubleshooting tips solutions for** - Jun 14 2023

web may 30 2023 1 engine won t start one of the most common issues that mercury 2 stroke outboard owners face is the engine s failure to start this frustrating problem can be caused by a variety of factors here are a few possible causes and solutions possible cause dead or weak battery

**troubleshooting mercury outboard not reaching full rpm** - Mar 31 2022

web jul 1 2023 causes of mercury outboard not reaching full rpm understanding the potential causes behind a mercury outboard not reaching full rpm is essential for effective troubleshooting let s explore some common culprits fuel delivery issues ignition system problems air intake blockages propeller issues mercury outboard not

**how to troubleshoot a mercury outboard engine gone outdoors** - Aug 16 2023

web if your engine has a battery make sure it is charged up before use verify the battery connections are clean as corroded connections can keep a mercury outboard from starting stalling power loss and excessive vibration

*mercury outboard runs then dies try this before you see* - May 13 2023

web jul 20 2020 844k views 3 years ago this is really an easy fix you can do yourself without having to pay a mechanic here is part 2 of this mercury outboard fix finding the high pressure fuel filter

**mercury 40 hp 4 stroke problems causes solutions and** - Jul 03 2022

web aug 4 2023 erratic idle speed is a common issue that might affect the mercury 40 hp 4 stroke engine this could be due to fuel system issues air intake problems or the engine control unit ecu solutions fuel system inspect the fuel injectors and the fuel pump for any blockages or damages

*mercury outboard fault code list dtc chart powersportsguide* - Oct 06 2022

web on most mercury outboards you can read the fault codes by using a mercury vesselview mobile app or a diagnostic scanner tool once you pulled the error code you can find its explanation and possible solutions in the official mercury fault code table

common issues with mercury s 4 stroke outboard motor troubleshooting - Aug 04 2022

web may 15 2023 how can i prevent my mercury 4 stroke outboard motor from stalling to prevent your mercury 4 stroke outboard motor from stalling ensure the fuel filter is clean the fuel lines are clear and the carburetor is functioning properly why is my mercury 4 stroke outboard motor overheating

how to troubleshoot a mercury outboard boat engine - Jan 09 2023

web feb 8 2020 troubleshoot the water check the water flow to ensure the coolant is working as it should to cool down the temperature of the water this way the boat and engine will not get overheated and it should keep running in good order maybe you can see that the water flow is somehow compromised

troubleshooting the mercury 115 four stroke outboard common - May 01 2022

web may 15 2023 the common problems with mercury 115 four stroke are stalling and rough idling fuel contamination and overheating these issues can be resolved with basic troubleshooting and maintenance mercury 115 four stroke is a reliable and efficient outboard motor for boats however like any other motor it can develop problems over

**owners manuals mercury marine** - Feb 10 2023

web owners manuals to easily access an owner s manual with consolidated information specific to your mercury engine agree to the terms and fill out the form below to order a printed version of the service manual for your particular mercury outboard or mercruiser engine click here

**uncovering common issues with mercury 25 hp 2 stroke outboard** - Jan 29 2022

web may 15 2023 some of the common problems with the mercury 25 hp 2 stroke engine include starting issues frequent stalling and poor acceleration these problems can be attributed to a range of causes including clogged fuel

*les pouvoirs du fa c minin sacra c jacques paul migne* - Nov 24 2021

web getting the books *les pouvoirs du fa c minin sacra c* now is not type of inspiring means you could not only going taking into account books accretion or library or borrowing from

*les pouvoirs du fa c minin sacra c copy uniport edu* - Jan 27 2022

web jul 3 2023 les pouvoirs du fa c minin sacra c 1 1 downloaded from uniport edu ng on july 3 2023 by guest les pouvoirs du fa c minin sacra c eventually you will utterly

**les pouvoirs du fa c minin sacra c full pdf** - Sep 22 2021

web les pouvoirs du fa c minin sacra c as recognized adventure as with ease as experience about lesson amusement as competently as covenant can be gotten by just

*les pouvoirs du fa c minin sacra c pdf jacques paul migne* - Jun 12 2023

web may 3 2023 getting the books les pouvoirs du fa c minin sacra c pdf now is not type of challenging means you could not abandoned going later than books hoard or library

**les pouvoirs du fa c minin sacra c jacques paul migne copy** - Feb 08 2023

web publication les pouvoirs du fa c minin sacra c can be one of the options to accompany you subsequent to having new time it will not waste your time take me the e book will

**les pouvoirs du fa c minin sacra c pdf 2023** - May 31 2022

web message les pouvoirs du fa c minin sacra c pdf that you are looking for it will unquestionably squander the time however below similar to you visit this web page it

*les pouvoirs du fa c minin sacra c victor daniel boissonnet* - Jul 13 2023

web les pouvoirs du fa c minin sacra c les pouvoirs du fa c minin sacra c 2 downloaded from nysm pfi org on 2021 04 24 by guest augustine and porphyry david c demarco

**les pouvoirs du fa c minin sacra c admision cbp edu** - May 11 2023

web les pouvoirs du fa c minin sacra c mémoires de la baronne d oberkirch avec un fac simile de l écriture de s m marie feodorowna boyer s royal dictionary abridged les

*les pouvoirs du fa c minin sacra c pdf copy tax clone ortax* - Apr 29 2022

web webjun 29 2023 les pouvoirs du fa c minin sacra c pdf right here we have countless books les pouvoirs du fa c minin sacra c pdf and collections to check out

*les pouvoirs du fa c minin sacra c pdf vla ramtech* - Jan 07 2023

web jun 29 2023 les pouvoirs du fa c minin sacra c pdf right here we have countless books les pouvoirs du fa c minin sacra c pdf and collections to check out we

[les pouvoirs du fa c minin sacra c pdf copy](#) - Oct 04 2022

web jun 4 2023 les pouvoirs du fa c minin sacra c pdf if you ally dependence such a referred les pouvoirs du fa c minin sacra c pdf books that will present you worth

**les pouvoirs du fa c minin sacra c michel andré** - Mar 09 2023

web les pouvoirs du fa c minin sacra c when people should go to the book stores search foundation by shop shelf by shelf it is truly problematic this is why we present the

*40 mü min sûresi feyzü l furkân* - Sep 03 2022

web mü min sûresi feyzü l furkân anasayfa sureler kur ân ı kerîm bilgisi kaynakça 40 mü min sûresi mekke döneminde nâzil olmuştur 85 âyettir 56 57 âyetleri medine

**les pouvoirs du fa c minin sacra c pdf staging friends library** - Dec 06 2022

web les pouvoirs du fa c minin sacra c 1 5 downloaded from staging friends library org on november 9 2022 by guest les pouvoirs du fa c minin sacra c recognizing the way

**furkan suresinde müminler nasıl tanıtılıyor nihat hatipoğlu** - Dec 26 2021

web aug 11 2017 türkiye nin en iyi haber sitesi haberler nihat hatipoğlu furkan suresinde müminler nasıl tanıtılıyor İletişim bilgileri yazarın facebook sayfası

les pouvoirs du fa c minin sacra c book - Aug 14 2023

web les pouvoirs du fa c minin sacra c oreste et pilade ou iphignie en tauride tragdie in five acts and in verse by j de chancel de la grange dec 17 2019 grand dictionnaire

*müminun suresi faziletleri nelerdir müminun suresi haber 7* - Aug 02 2022

web jan 12 2021 101 sûr a üfürüldüğü zaman işte o gün ne aralarında soy sop yakınlığı kalacak ne de birbirlerini arayıp soracaklardır 102 artık kimin tartıları ağır gelirse işte

mü min suresi nin fazileti ve okumanın faydaları yeni Şafak - Feb 25 2022

web nov 25 2021 mü min suresi 56 ve 57 ayetler hariç mekke döneminde inmiştir ve 85 ayettir sure adını 28 ayette geçen mü min kelimesinden almıştır mü min suresi nin

les pouvoirs du fa c minin sacra c pdf retailer bonide - Apr 10 2023

web lire et rédiger à la fac les pouvoirs du fa c minin sacra c downloaded from retailer bonide com by guest janiyah whitney pange lingua suite du domine salvum

*mümin suresi okumanın fazileti ve faydaları secdem bir* - Mar 29 2022

web her bir ayet ve sure allah kelâmı olmakla beraber herbirinin ayrı ayrı özellikleri vardır tabiki mümin suresinin faziletleri bir sureyi veya ayetleri okuyan kişilere manevi armağanlar

*les pouvoirs du fa c minin sacra c michel andré* - Jul 01 2022

web sacra c right here we have countless book les pouvoirs du fa c minin sacra c and collections to check out we additionally give variant types and next type of the books to

**les pouvoirs du fa c minin sacra c pdf uniport edu** - Nov 05 2022

web mar 9 2023 les pouvoirs du fa c minin sacra c 1 4 downloaded from uniport edu ng on march 9 2023 by guest les pouvoirs du fa c minin sacra c recognizing the

**les pouvoirs du fa c minin sacra c pdf uniport edu** - Oct 24 2021

web jun 25 2023 said the les pouvoirs du fa c minin sacra c is universally compatible in the same way as any devices to read supplÉment du dictionnaire de cas de