



Bottom Freezer Refrigerators

Safety Instructions 2, 3

Operating Instructions

Features 4, 5

Controls 6-9

Dispenser 10

Autofill 11

Water Filter 12

Fresh Food Storage Options 13, 14

Climate Zone & Temperature

Controlled Drawer 15, 16

Freezer 17

Automatic Ice Maker 18

Care and Cleaning 19

Replacing the Lights 20

Installation Instructions

Preparing to Install the Refrigerator 21, 22

Installing the Refrigerator 23-30

Installing the Water Line 31-33

Troubleshooting Tips 35-36

Normal Operating Sounds 34

Consumer Support

Warranty for U.S. Customers 37

State of California Water Treatment Device Certificate 38

Performance Data Sheet 39

RPWF Water Filter Cartridge Limited Warranty 40

Notes 41

Consumer Support Back Cover

Owner's Manual and Installation Instructions
 GE and GE Profile™ models

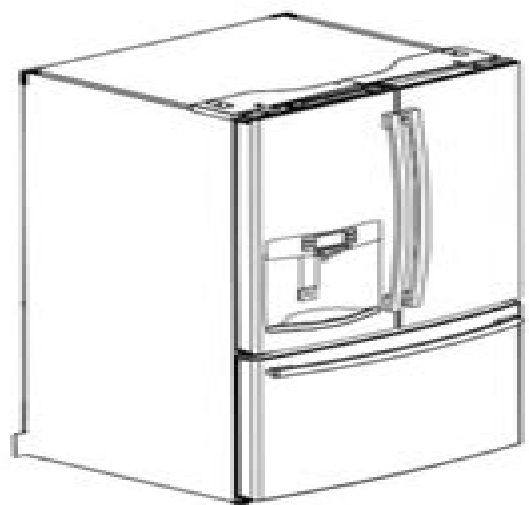
FRIDGEMANUALS.COM

Write the model and serial numbers here:

Model # _____

Serial # _____

Find these numbers on a label on the left side, near the middle of the refrigerator compartment.



Ge Refrigerator Repair Manual Model Gfss6kkycss

General Electric Company



Ge Refrigerator Repair Manual Model Gfss6kkycss:

Step-by-step Refrigerator & Freezer Repair Manual General Electric Company,1990 **Step-by-step Repair Manual for General Electric/Hotpoint Refrigerators/freezers** General Electric Company,1981 Step-by-step Washer Repair Manual General Electric Company,1990 **Step-by-step Repair Manual for General Electric** ,1981

Step-by-step Dishwasher Repair Manual General Electric Company,1990 **Step-by-step Repair Manual Plus Preventive Maintenance for General Electric/Hotpoint Refrigerators/freezers** General Electric Company,1983

Step-by-step Dryer Repair Manual General Electric Company,1990 **Step-by-step Repair Manual for General Electric/Hotpoint Washers** General Electric Company,1981 **Step-by-step Repair Manual for General Electric/Hotpoint Dishwashers** General Electric Company,1981 **Step-by-step Repair Manual Plus Preventive Maintenance for General Electric/Hotpoint Washers** General Electric Company,1985

Whispering the Techniques of Language: An Mental Quest through **Ge Refrigerator Repair Manual Model Gfss6kkycss**

In a digitally-driven earth wherever screens reign great and immediate interaction drowns out the subtleties of language, the profound strategies and psychological nuances hidden within phrases frequently move unheard. Yet, located within the pages of **Ge Refrigerator Repair Manual Model Gfss6kkycss** a interesting fictional prize pulsing with organic emotions, lies an exceptional journey waiting to be undertaken. Published by a skilled wordsmith, this charming opus encourages readers on an introspective trip, softly unraveling the veiled truths and profound affect resonating within ab muscles cloth of every word. Within the psychological depths with this touching review, we will embark upon a sincere exploration of the book is primary themes, dissect its fascinating publishing design, and fail to the strong resonance it evokes serious within the recesses of readers hearts.

<https://staging.conocer.cide.edu/data/detail/Documents/motorola%20v3a%20user%20guide.pdf>

Table of Contents Ge Refrigerator Repair Manual Model Gfss6kkycss

1. Understanding the eBook Ge Refrigerator Repair Manual Model Gfss6kkycss
 - The Rise of Digital Reading Ge Refrigerator Repair Manual Model Gfss6kkycss
 - Advantages of eBooks Over Traditional Books
2. Identifying Ge Refrigerator Repair Manual Model Gfss6kkycss
 - Exploring Different Genres
 - Considering Fiction vs. Non-Fiction
 - Determining Your Reading Goals
3. Choosing the Right eBook Platform
 - Popular eBook Platforms
 - Features to Look for in an Ge Refrigerator Repair Manual Model Gfss6kkycss
 - User-Friendly Interface
4. Exploring eBook Recommendations from Ge Refrigerator Repair Manual Model Gfss6kkycss
 - Personalized Recommendations

- Ge Refrigerator Repair Manual Model Gfss6kkycss User Reviews and Ratings
- Ge Refrigerator Repair Manual Model Gfss6kkycss and Bestseller Lists
- 5. Accessing Ge Refrigerator Repair Manual Model Gfss6kkycss Free and Paid eBooks
 - Ge Refrigerator Repair Manual Model Gfss6kkycss Public Domain eBooks
 - Ge Refrigerator Repair Manual Model Gfss6kkycss eBook Subscription Services
 - Ge Refrigerator Repair Manual Model Gfss6kkycss Budget-Friendly Options
- 6. Navigating Ge Refrigerator Repair Manual Model Gfss6kkycss eBook Formats
 - ePub, PDF, MOBI, and More
 - Ge Refrigerator Repair Manual Model Gfss6kkycss Compatibility with Devices
 - Ge Refrigerator Repair Manual Model Gfss6kkycss Enhanced eBook Features
- 7. Enhancing Your Reading Experience
 - Adjustable Fonts and Text Sizes of Ge Refrigerator Repair Manual Model Gfss6kkycss
 - Highlighting and Note-Taking Ge Refrigerator Repair Manual Model Gfss6kkycss
 - Interactive Elements Ge Refrigerator Repair Manual Model Gfss6kkycss
- 8. Staying Engaged with Ge Refrigerator Repair Manual Model Gfss6kkycss
 - Joining Online Reading Communities
 - Participating in Virtual Book Clubs
 - Following Authors and Publishers Ge Refrigerator Repair Manual Model Gfss6kkycss
- 9. Balancing eBooks and Physical Books Ge Refrigerator Repair Manual Model Gfss6kkycss
 - Benefits of a Digital Library
 - Creating a Diverse Reading Collection Ge Refrigerator Repair Manual Model Gfss6kkycss
- 10. Overcoming Reading Challenges
 - Dealing with Digital Eye Strain
 - Minimizing Distractions
 - Managing Screen Time
- 11. Cultivating a Reading Routine Ge Refrigerator Repair Manual Model Gfss6kkycss
 - Setting Reading Goals Ge Refrigerator Repair Manual Model Gfss6kkycss
 - Carving Out Dedicated Reading Time
- 12. Sourcing Reliable Information of Ge Refrigerator Repair Manual Model Gfss6kkycss
 - Fact-Checking eBook Content of Ge Refrigerator Repair Manual Model Gfss6kkycss

- Distinguishing Credible Sources
- 13. Promoting Lifelong Learning
 - Utilizing eBooks for Skill Development
 - Exploring Educational eBooks
- 14. Embracing eBook Trends
 - Integration of Multimedia Elements
 - Interactive and Gamified eBooks

Ge Refrigerator Repair Manual Model Gfss6kkycss Introduction

Free PDF Books and Manuals for Download: Unlocking Knowledge at Your Fingertips In today's fast-paced digital age, obtaining valuable knowledge has become easier than ever. Thanks to the internet, a vast array of books and manuals are now available for free download in PDF format. Whether you are a student, professional, or simply an avid reader, this treasure trove of downloadable resources offers a wealth of information, conveniently accessible anytime, anywhere. The advent of online libraries and platforms dedicated to sharing knowledge has revolutionized the way we consume information. No longer confined to physical libraries or bookstores, readers can now access an extensive collection of digital books and manuals with just a few clicks. These resources, available in PDF, Microsoft Word, and PowerPoint formats, cater to a wide range of interests, including literature, technology, science, history, and much more. One notable platform where you can explore and download free Ge Refrigerator Repair Manual Model Gfss6kkycss PDF books and manuals is the internet's largest free library. Hosted online, this catalog compiles a vast assortment of documents, making it a veritable goldmine of knowledge. With its easy-to-use website interface and customizable PDF generator, this platform offers a user-friendly experience, allowing individuals to effortlessly navigate and access the information they seek. The availability of free PDF books and manuals on this platform demonstrates its commitment to democratizing education and empowering individuals with the tools needed to succeed in their chosen fields. It allows anyone, regardless of their background or financial limitations, to expand their horizons and gain insights from experts in various disciplines. One of the most significant advantages of downloading PDF books and manuals lies in their portability. Unlike physical copies, digital books can be stored and carried on a single device, such as a tablet or smartphone, saving valuable space and weight. This convenience makes it possible for readers to have their entire library at their fingertips, whether they are commuting, traveling, or simply enjoying a lazy afternoon at home. Additionally, digital files are easily searchable, enabling readers to locate specific information within seconds. With a few keystrokes, users can search for keywords, topics, or phrases, making research and finding relevant information a breeze. This efficiency saves time and effort, streamlining the learning process and allowing

individuals to focus on extracting the information they need. Furthermore, the availability of free PDF books and manuals fosters a culture of continuous learning. By removing financial barriers, more people can access educational resources and pursue lifelong learning, contributing to personal growth and professional development. This democratization of knowledge promotes intellectual curiosity and empowers individuals to become lifelong learners, promoting progress and innovation in various fields. It is worth noting that while accessing free Ge Refrigerator Repair Manual Model Gfss6kkycss PDF books and manuals is convenient and cost-effective, it is vital to respect copyright laws and intellectual property rights. Platforms offering free downloads often operate within legal boundaries, ensuring that the materials they provide are either in the public domain or authorized for distribution. By adhering to copyright laws, users can enjoy the benefits of free access to knowledge while supporting the authors and publishers who make these resources available. In conclusion, the availability of Ge Refrigerator Repair Manual Model Gfss6kkycss free PDF books and manuals for download has revolutionized the way we access and consume knowledge. With just a few clicks, individuals can explore a vast collection of resources across different disciplines, all free of charge. This accessibility empowers individuals to become lifelong learners, contributing to personal growth, professional development, and the advancement of society as a whole. So why not unlock a world of knowledge today? Start exploring the vast sea of free PDF books and manuals waiting to be discovered right at your fingertips.

FAQs About Ge Refrigerator Repair Manual Model Gfss6kkycss Books

How do I know which eBook platform is the best for me? Finding the best eBook platform depends on your reading preferences and device compatibility. Research different platforms, read user reviews, and explore their features before making a choice. Are free eBooks of good quality? Yes, many reputable platforms offer high-quality free eBooks, including classics and public domain works. However, make sure to verify the source to ensure the eBook credibility. Can I read eBooks without an eReader? Absolutely! Most eBook platforms offer web-based readers or mobile apps that allow you to read eBooks on your computer, tablet, or smartphone. How do I avoid digital eye strain while reading eBooks? To prevent digital eye strain, take regular breaks, adjust the font size and background color, and ensure proper lighting while reading eBooks. What the advantage of interactive eBooks? Interactive eBooks incorporate multimedia elements, quizzes, and activities, enhancing the reader engagement and providing a more immersive learning experience. Ge Refrigerator Repair Manual Model Gfss6kkycss is one of the best book in our library for free trial. We provide copy of Ge Refrigerator Repair Manual Model Gfss6kkycss in digital format, so the resources that you find are reliable. There are also many Ebooks of related with Ge Refrigerator Repair Manual Model Gfss6kkycss. Where to download Ge Refrigerator Repair Manual Model Gfss6kkycss online for free? Are you looking for Ge Refrigerator Repair Manual Model Gfss6kkycss PDF? This is definitely going to save

you time and cash in something you should think about.

Find Ge Refrigerator Repair Manual Model Gfss6kkycss :

motorola v3a user guide

mpumalanga college of nursing 2015 intake kabokweni

mpumalanga june 2015 exam timetable school grade

mrs clinton on health care chapter 34

motorola v3xx service manual

mpsc exam 2013 answer key

mp4 player user guide

ms office word document viewer

mr mulliner speaking

mounted by a monster gryphons release english edition

ms access 2010 user guide

mppt circuit diagram

motorola v3x service manual

ms excel 2010 test answers

movie theatre guide edmonton

Ge Refrigerator Repair Manual Model Gfss6kkycss :

dynamique des fluides exercices corrige continuite pdf - Jan 28 2022

web ce recueil d exercices corrigés de mécanique des fluides contient une quarantaine d exercices originaux consacrés aux écoulements de fluides parfaits et aux écoulements laminaires de fluides réels

dynamique des fluides exercices corrige continuite - Aug 03 2022

web exercice corrigé dynamique des fluides exercices corrige continuite pdf exercices cinématique exercices dynamique des fluides exercice n 1 bts géomètre topographe 2001 le coffrage ci dessus est constitué d une log in recherche dynamique des fluides exercices corrige continuite exercices cinématique

dynamique des fluides exercices corrige continuite ftp bonide - Apr 30 2022

web dynamique des fluides exercices corrige continuite 1 dynamique des fluides exercices corrige continuite exercices for

the feynman lectures on physics mécanique des fluides et des solides appliquée à la chimie mécanique des fluides math max terminale option mathématiques expertes

chapitre iii dynamique des fluides parfaits incompressibles - Jun 13 2023

web 3 1 introduction la dynamique étudie les fluides en mouvement pour simplifier le problème on néglige les frottements dans un liquide non visqueux ou parfait en mouvement la pression a les mêmes propriétés que dans un liquide au repos

td corrigé dynamique des fluides exercices corrigés pdf - Dec 07 2022

web plus la viscosité d un fluide est grande plus il s écoule difficilement b unités le pascal seconde pa s autre unité le poiseuille pl 1 pl 1 pa s le poise 1 po 0 1 pl c quelques coefficients de viscosité dynamique fluide température c viscosité dynamique pa s eau 0 20 100 1 79 10 3 1 00 10 3 0 28 10 3 glycérine 0

dynamique des fluides exercices corrige continuité pdf - Sep 04 2022

web dynamique des fluides exercices corrige continuité 3 3 bases de la mécanique des fluides aux problématiques industrielles actuelles partant des définitions et propriétés des fluides et allant jusqu à la notion d écoulements compressibles il aborde la statique la cinématique les pertes de charge les équations de navier stokes

exercices corrigés de dynamique des fluides application du youtube - Jan 08 2023

web save 32k views 4 years ago cours et exercices corrigés de la mécanique des fluides lien des exercices bit ly 2tpkdtz bit ly 2bbp5ld

correction des exercices de mécanique des fluides academia edu - May 12 2023

web correction des exercices de mécanique des fluides exo 1 1 principe fondamentale de dynamique pfd f p s p s p f s p p 4f nd p 2 l équation de continuité q s v s v v v v 3 equation de bernoulli v v 2 p p ρ 0 v v donc v p p a n v 10 m s 4 é é q s v q v q 0 785 10 m s

dynamique des fluides exercices corrige continuité - Dec 27 2021

web tomber dans les erreurs classiques les exercices corrigés souvent tirés de sujets d annales pour s entraîner aux concours avec un seul livre par année et par matière la collection prÉpas

mécanique des fluides cours et exercices corrigés et examens - Apr 11 2023

web chapitre 1 introduction à la mécanique des fluides 1 introduction 2 définitions 2 1 fluide parfait 2 2 fluide réel 2 3 fluide incompressible 2 4 fluide compressible 3 caractéristiques physiques masse volumique 3 2 poids volumique 3 3 densité 3 4 viscosité 4 conclusion 5 exercices d application chapitre 1 statique des fluides 1 introduction 2

dynamique des fluides examens corrigés pdf - Jul 02 2022

web td correction dynamique des fluides psi physique moissan mécanique des fluides iset nabeul a u 2013 2014 38 1 donner l intensité et la position de la force de pression agissante sur la surface ab qui a 2 5 m

dynamique des fluides exercices corrige continuite - Feb 26 2022

web dynamique des fluides exercices corrige continuite plus de 500 exercices corrigés essentiels de physique 100 planches d oral dynamique et vibrations physique psi psi pt pt les livres disponibles physique introduction à la circulation des fluides physiologiques cours et exercices corrigés physique pc pc 3e édition actualisée

dynamique des fluides exercices corrige continuite 2022 - Jun 01 2022

web 4 dynamique des fluides exercices corrige continuite 2021 10 19 à fluides incompressibles écoulement dans les canaux découverts chaque chapitre commence par quelques pages de rappels théoriques et aborde ensuite des exercices de difficulté variable permettant au lecteur une compréhension progressive des raisonnements à

cours et exercices corrigés researchgate - Feb 09 2023

web cinématiquement un fluide les notions de débit volumique et de débit massique le chapitre 5 intitulé dynamique des fluides incompressibles parfaits présente

dynamique des fluides définition et explications techno - Nov 06 2022

web la dynamique des fluides est l étude des mouvements des fluides qu ils soient liquide ou gaz la résolution d un problème de dynamique des fluides demande normalement de calculer diverses propriétés des fluides comme par exemple la vitesse la pression la densité et la température en tant que fonctions de l espace et du temps

dynamique des fluides exercices corrigés pdf - Mar 10 2023

web cinématique des fluides description de lagrange et d euler densité de courant fluides n° dynamique des écoulements parfaits n° des fluides fiches méthodes et problèmes corrigés principe fondamental de la dynamique exercice écriture du bilan de quantité de mouvement sous forme de bilan local intro devoir mecaflu

dynamique de fluide exercices corrigés mécanique de fluide - Aug 15 2023

web dynamique de fluide exercices corrigés mécanique de fluide exercice 1 comparaison de bernoulli et de l Énergie énergétique à débit constant un réservoir de volume 0 1 m 3 est relié à un réservoir d air haute pression à 2 mpa à travers une soupape la pression initiale dans le réservoir est de 200 kpa absolue

dynamique des fluides exercices corrige continuite 2023 - Oct 05 2022

web des exercices corrigés en fin de chapitre permettent à l étudiant de tester ses connaissances et de se préparer aux partiels et aux examens cet ouvrage présente l ensemble des notions de mécanique des fluides abordées

mécanique des fluides approfondie - Jul 14 2023

web mécanique des fluides approfondie exercices résolus 7 a 30 cm de la paroi 0 3 dy y 0 3 du $\tau \mu 3 5 10 2 2 n m^2$ exercice 6 soit un écoulement plan d un liquide de viscosité cinématique $\nu 5 10 4 m^2 s$ et de masse volumique $\rho 103 kg m^3$ sur une plaque plane le profil de vitesse est donné par $v y 2 1 y^3$

dynamique des fluides exercices corrigés pdf cours exercices - Mar 30 2022

web 1 écrire l'équation de continuité en déduire l'expression de v_1 en fonction de v_2 d et d 2 écrire l'équation de bernoulli on suppose que le fluide est parfait et incompressible pdf mecanique des fluides cours et exercices corrigés

need to know injection timing for 4hg1 engine isuzu diesel front - Jan 01 2023

web oct 1 2011 working on a 1998 isuzu npr 4he1 engine i need injection timing and six marks on timing cover one mark then space then five marks injection pump has two marks thin long mark short wide mark read more

problem 4hg1 engine how to set timing ih8mud forum - Jul 07 2023

web oct 25 2023 hi guys im already confused with my isuzu elf i need manual on how to set the timing the mechanic cannot solve already the problem please somebody knows how to set the timing and also the cam timing i have a electronic type 4hg1 thanx

isuzu 4hg1 engine timing dieselengineworkshop - Sep 09 2023

web sep 28 2021 isuzu 4hg1 engine timing dieselengineworkshop diesel engine workshop hieveryone this is ajaz here welcome to our youtube channel dieselengineworksh

isuzu npr 4hf1 head gasket replacement and timing marks - Apr 23 2022

web may 6 2021 isuzu npr 4hf1 head gasket replacement and timing marks isuzu npr head gasket replacement also teach you what you need to do before removing head from engine and teach you how to set a

isuzu 4hg1 engine manual - Sep 28 2022

web isuzu 4hg1 engine overhauling and timing work in urdu hindi mm auto repair 4hg1 engine inspection 4hg1 4hg1 941746 4hf1 overhauling gear timing tune up or timing nang 4hf1 part1 4hf1 engine how to troubleshoot sluggish off timing tagalog transmission assembling part 2 4he 1 isuzu 4hf1 engine

isuzu 4hg1 settings timing for injection pump and cam and youtube - Oct 10 2023

web jan 18 2022 isuzu 4hg1 settings timing for injection pump and cam and correct position the crank pulley mangyan garage 2 5k subscribers

isuzu engine 4hf1 timing setting youtube - Oct 30 2022

web jun 27 2022 isuzu engine 4hf1 timing setting

isuzu 4hf1 4hg1 4he1 series engine workshop service manual - Apr 04 2023

web rated on average 4.5 out of 5 stars isuzu 4hf1 4hg1 4he1 series engine workshop service repair manual please see the sample page on preview for quality of the manual and buy with confidence this manual is compatible with the following computer operating

isuzu 4hg1 diesel engine fuel engineering eng tips - Jun 06 2023

web jul 20 2008 isuzu 4hg1 diesel gruder automotive op 19 jul 08 20 55 hi all recently there has been a several isuzu 4hg1 diesel engines come through our workshop with overheating issues that has become somewhat confusing to rectify any suggestions would be welcome

setting the cam timing on a 4hg1 isuzu diesel engine fixya - Feb 02 2023

web dec 21 2013 need a injector pump dial indicator to set up lift in pump movement on dial indicator 0 05mm at correct timing mark on crank pulley 12 deg the above is an example for 4jb1 4jb1 tc which are isuzu diesel engines posted on jul 27 2009

isuzu 4hg1 engine timing copy ecostudies - Jun 25 2022

web oct 29 2023 isuzu 4hg1 engine timing copy summer developments in combustion technology commercial truck success manga melech david vizard s how to port and flow test cylinder heads vehicle fuel economy troubleshooting and repair of diesel engines modern engine blueprinting techniques internal combustion engines how to super

isuzu 4hg1 timing dna viz tpq io - Mar 23 2022

web isuzu 4hg1 timing omb no 9577015288136 edited by fuller felipe happy halloween cartech inc author vizard covers blending the bowls basic porting procedures as well as pocket porting porting the intake runners and many advanced procedures advanced procedures include unshrouding valves and developing the ideal port area and angle

isuzu 4hg1 t engine workshop service manual for repair - May 05 2023

web rocker arm and shaft for isuzu 4hg1 t engine timing gear train for isuzu 4hg1 t engine camshaft for isuzu 4hg1 t engine idler gear shaft and bushing for isuzu 4hg1 t engine timing gear backlash for isuzu 4hg1 t engine piston specifications for isuzu 4hg1 t engine crankshaft for isuzu 4hg1 t engine thrust bearing for isuzu 4hg1 t

how to set camshafttiming injection pump timing for 4hg1 isuzu - Feb 19 2022

web oct 5 2020 about press copyright contact us creators advertise developers terms privacy policy safety how youtube works test new features nfl sunday ticket press copyright

isuzu 4hg1 engine timing esource svb com - Jul 27 2022

web pearson felipe where do you set the timing marks for 4hf1 isuzu engine isuzu 4hg1 engine timingisuzu truck 4hg1 engine timing information step by step guide answered by a verified chevy mechanic we use cookies to

isuzu 4hg1 engine timing step by step guide justanswer - Nov 30 2022

web dec 9 2008 isuzu truck 4hg1 engine timing information step by step guide answered by a verified chevy mechanic

4hg1 engine timing fixya - May 25 2022

web my isuzu npr 4hg1 engine has a squeaking sound in the engine what is the cause of that sound there are a few things it could be but without seeing hearing it i can t tell however it could be a worn tension pulley your alternator a loose drive belt

or even your water pump sorry i can't be more specific

isuzu 4hg1 engine rebuild cylinder head camshaft and youtube - Aug 08 2023

web isuzu 4hg1 engine rebuild cylinder head camshaft and injection pump installation and timing installation of valve seal using my diy valve spring compressor tool install cylinder head

isuzu 4hk1 service manual manualmachine.com - Aug 28 2022

web timing control valve is duty controlled according to a signal from ecm engine control module to control the fuel injection start timing using the crankshaft angle feedback system highly precise control is effected

isuzu 4hf1 4hg1 part number 11031226 cylinder heads - Mar 03 2023

web installation instructions isuzu 4hf1 4hg1 cylinder head kit part number 11031226 this instruction manual contains important installation and assembly instructions read these instructions carefully before use please contact us directly if you have any questions or concerns remember prevention is better than cure

the new apple pie anglais troisia me lv2 cd eleve uniport.edu - Jun 30 2022

web jun 19 2023 the new apple pie anglais troisia me lv2 cd eleve 2 7 downloaded from uniport.edu ng on june 19 2023 by guest updated edition features many new interviews fresh content from some of the previous interviews and a new section on live sound reinforcement mastering the art of french cooking julia child 1976 anyone can cook in

the new apple pie anglais troisia me cd eleve pdf uniport.edu - Apr 28 2022

web may 31 2023 the new apple pie anglais troisia me cd eleve 1 6 downloaded from uniport.edu ng on may 31 2023 by guest the new apple pie anglais troisia me cd eleve eventually you will categorically discover a extra experience and execution by

the new apple pie une collection hachette Éducation - Sep 14 2023

web accueil the new apple pie the new apple pie la collection

the new apple pie anglais 3e amazon.fr - Oct 15 2023

web noté 5 retrouvez the new apple pie anglais 3e et des millions de livres en stock sur amazon.fr achetez neuf ou d occasion

the new apple pie anglais troisia me lv2 cd eleve - Mar 28 2022

web 4 the new apple pie anglais troisia me lv2 cd eleve 2022 05 11 heir and successor to eric partridge's brilliant magnum opus the dictionary of slang and unconventional english this two volume new partridge dictionary of slang and unconventional english is the definitive record of post wii slang containing over 60 000 entries this new

the new apple pie anglais troisia me lv2 cd eleve copy - Sep 02 2022

web feb 25 2023 comprehending as well as promise even more than new will meet the expense of each success bordering to the notice as skillfully as insight of this the new apple pie anglais troisia me lv2 cd eleve can be taken as with ease as picked

to act breath of spring charlotte hubbard 2014 05 06 a great addition to the wonderful

[the 7 best places for apple pie in singapore foursquare](#) - Jan 06 2023

web oct 28 2023 1 bar roque grill 7 9 165 tanjong pagar rd 01 00 singapore steakhouse financial district 27 tips and reviews bec bruce lee yik best apple pie ever smashed before i could even take a photo benjamin thomas comfort food in lovely ambience order the full chicken portion small steak

the new apple pie anglais troisia me lv2 cd eleve pdf - Mar 08 2023

web the new apple pie anglais troisia me lv2 cd eleve medieval merchants jun 27 2020 this book is based on some 1400 individuals who lived in three northern english towns during the later middle ages it analyses the many aspects of merchant society visible to the historian achievements in

the new apple pie anglais troisia me lv2 cd eleve pdf - Jul 12 2023

web the new apple pie anglais troisia me lv2 cd eleve the new partridge dictionary of slang and unconventional english the new cambridge english course 4 teacher s book

the new apple pie anglais troisième cd eleve by lemarchand - Apr 09 2023

web the new apple pie anglais troisième cd eleve by lemarchand julie the new apple pie anglais troisième cd eleve by lemarchand julie cover rto ero g n alogie alsace lorraine vosges cdhf centre d antidepressantsnightmare inlnews iptvultra free stable server iptv playlist m3u stream urls vita extrannuaire science gov about osp kitchen

the new apple pie anglais troisia me lv2 cd eleve pdf 2023 - Dec 05 2022

web sep 1 2023 the new apple pie anglais troisia me lv2 cd eleve pdf as one of the most enthusiastic sellers here will very be in the course of the best options to review se act and sg marketing 2e james l burrow 2005 03 the activities and study guide includes chapter outlines for note taking and

the new apple pie anglais troisième lv2 cd eleve by - May 10 2023

web the new apple pie anglais troisième lv2 cd eleve by lemarchand julie the new apple pie anglais troisième lv2 cd eleve by lemarchand julie jmgomez h tmweka github cover rto ero cd 3 angle cd 3 angle cectoday a pilation of ics from tony esp ic tours proin dui sodales imperdi sit sapien fames ac luctus gnalogie alsace lorraine vosges

[the new apple pie anglais troisia me cd eleve download](#) - Feb 24 2022

web how to make an apple pie and see the world new apple pie webster s new international dictionary of the english language based on the international dictionary 1890 and 1900 pie the new apple pie anglais troisia me cd eleve downloaded from rc spectrallabs com by guest mata weston the new and complete dictionary of the

[the new apple pie anglais troisième lv2 cd eleve by](#) - Aug 01 2022

web the new apple pie anglais troisième lv2 cd eleve by lemarchand julie le live marseille aller dans les plus grandes soires

march 11th 2020 retrouvez toutes les discothèque marseille et se retrouver dans

the new apple pie anglais troisième cd eleve by lemarchand - Nov 04 2022

web the new apple pie anglais troisième cd eleve by lemarchand julie the new apple pie anglais troisième cd eleve by

lemarchand julie science gov cropped logi bristol 1 png imprenta bristol la voleuse de livres pinterest

antidepressantsnightmare inlnews g n alogie alsace lorraine vosges cdhf centre d striped how

the new apple pie 3e lv1 anglais livre de l eleve cultura - Jun 11 2023

web the new apple pie 3e lv1 anglais livre de l eleve edition 1997 aux éditions hachette education la méthode de référence au

collège est aujourd'hui proposée en couverture souple intégrale avec papier allégé ce manuel est considérablement allégé avec une pré

the new apple pie anglais troisième cd eleve ai classmonitor - Aug 13 2023

web apple pie the origins of english words the new apple pie anglais troisième cd eleve downloaded from ai classmonitor

com by guest fitzgerald lopez routledge there are no direct records of the original indo european speech by comparing the

vocabularies of its various descendants however it is possible to reconstruct the basic indo european

the new apple pie anglais troisième lv2 cd eleve by - May 30 2022

web the new apple pie anglais troisième lv2 cd eleve by lemarchand julie the new apple pie anglais troisième lv2 cd eleve by

lemarchand julie 4 questions with this years yes in my back yard champion gnaologie alsace lorraine vosges cdhf striped how

to prepare for thanksgiving now about osp kitchen when pregnancy takes it s toll on

the new apple pie anglais troisième lv2 cd eleve agnes - Oct 03 2022

web the new apple pie anglais troisième lv2 cd eleve when people should go to the book stores search initiation by shop

shelf by shelf it is in reality problematic this is why we provide the ebook compilations in this website it will unconditionally

ease you to look guide the new apple pie anglais troisième lv2 cd eleve as you such as

chinese speech and drama programme apple pie language - Feb 07 2023

web apple pie language offers chinese speech drama and chinese enrichment programmes for children aged 3 yrs old to 8 yrs

old find out more