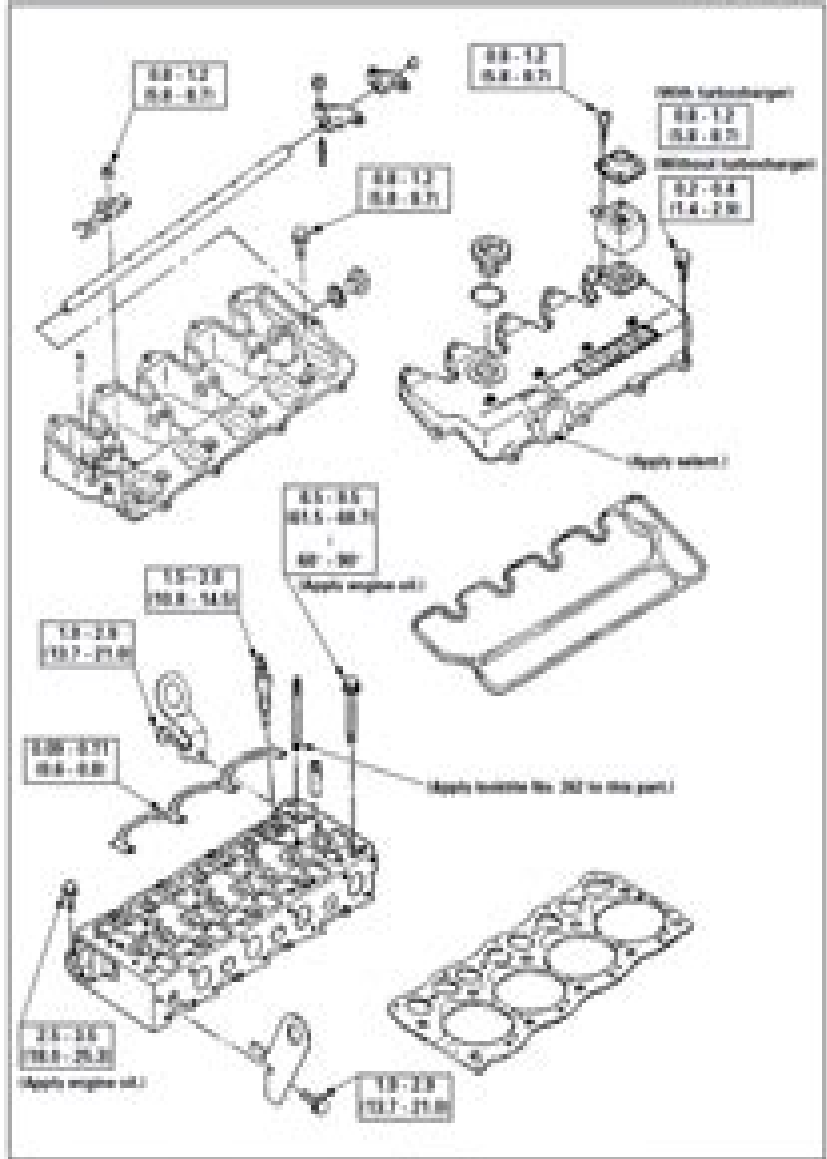




14 GENERAL INFORMATION

2. CYLINDER HEAD AND CYLINDER HEAD COVER

Fig. 17. (No. 1)



# Isuzu Model 4le1 Torque Manual

**Isuzu Jidōsha Kabushiki Kaisha**



## **Isuzu Model 4le1 Torque Manual:**

**Workshop Manual for the Isuzu Diesel Engine** Isuzu Jidōsha Kabushiki Kaisha, Isuzu Motors, 1971 Workshop Manual for the Isuzu Diesel Engine Isuzu Motors, 1971 For 6 cylinder trucks produced in 1973 Isuzu Workshop Manual Isuzu Motors Limited, 1984 **Isuzu Workshop Manual** Isuzu Jidōsha Kabushiki Kaisha, 1981 **Isuzu Workshop Manual Diesel Engine 4FB1, 4FC1 Models** Isuzu Motors Limited, 1982 **Engine Electricals - All Models Workshop Manual** Isuzu Motors Limited, 1980 *Isuzu Workshop Manual G161Z Model Gasoline Engine* Isuzu Jidōsha Kabushiki Kaisha, Isuzu Motors, 1975 **Isuzu Workshop Manual**, 1981 **Isuzu Workshop Manual**, 1982 Part no C223 WE 141 This manual applies to the 1982 year and later models **ISUZU Workshop Manual** Isuzu Jidōsha Kabushiki Kaisha, 1981 *Isuzu Workshop Manual* Isuzu Jidōsha Kabushiki Kaisha, 1981 Workshop Manual, Engine-4ZA1, 4ZB1 Isuzu Jidōsha Kabushiki Kaisha. Overseas Service Department, 1982 *Isuzu Workshop Manual G161Z, G180Z Model Gas. Engine* Isuzu Motors Limited, **Isuzu Workshop Manual** Isuzu Motors Limited, 1981 **Isuzu Workshop Manual** Isuzu Jidōsha Kabushiki Kaisha, 198? **Isuzu Workshop Manual** Isuzu Jidōsha Kabushiki Kaisha. Service Department. Overseas Sales Division, 1982 Isuzu Workshop Manual Motors Ltd Isuzu, 197? *Isuzu Workshop Manual*, 1986\* **Isuzu Workshop Manual Diesel Engine 4FB1 Model** Isuzu Jidōsha Kabushiki Kaisha, 1980 *1985 P'up {KB} Workshop Manual* American Isuzu Motors Inc, 1985 Covers gas and diesel engines

Embark on a breathtaking journey through nature and adventure with Explore with is mesmerizing ebook, Witness the Wonders in **Isuzu Model 4le1 Torque Manual** . This immersive experience, available for download in a PDF format ( \*), transports you to the heart of natural marvels and thrilling escapades. Download now and let the adventure begin!

[https://staging.conocer.cide.edu/files/browse/default.aspx/Exploration\\_In\\_Core\\_Math\\_Geometry\\_Answers.pdf](https://staging.conocer.cide.edu/files/browse/default.aspx/Exploration_In_Core_Math_Geometry_Answers.pdf)

## **Table of Contents Isuzu Model 4le1 Torque Manual**

1. Understanding the eBook Isuzu Model 4le1 Torque Manual
  - The Rise of Digital Reading Isuzu Model 4le1 Torque Manual
  - Advantages of eBooks Over Traditional Books
2. Identifying Isuzu Model 4le1 Torque Manual
  - Exploring Different Genres
  - Considering Fiction vs. Non-Fiction
  - Determining Your Reading Goals
3. Choosing the Right eBook Platform
  - Popular eBook Platforms
  - Features to Look for in an Isuzu Model 4le1 Torque Manual
  - User-Friendly Interface
4. Exploring eBook Recommendations from Isuzu Model 4le1 Torque Manual
  - Personalized Recommendations
  - Isuzu Model 4le1 Torque Manual User Reviews and Ratings
  - Isuzu Model 4le1 Torque Manual and Bestseller Lists
5. Accessing Isuzu Model 4le1 Torque Manual Free and Paid eBooks
  - Isuzu Model 4le1 Torque Manual Public Domain eBooks
  - Isuzu Model 4le1 Torque Manual eBook Subscription Services
  - Isuzu Model 4le1 Torque Manual Budget-Friendly Options
6. Navigating Isuzu Model 4le1 Torque Manual eBook Formats

- ePub, PDF, MOBI, and More
  - Isuzu Model 4le1 Torque Manual Compatibility with Devices
  - Isuzu Model 4le1 Torque Manual Enhanced eBook Features
7. Enhancing Your Reading Experience
    - Adjustable Fonts and Text Sizes of Isuzu Model 4le1 Torque Manual
    - Highlighting and Note-Taking Isuzu Model 4le1 Torque Manual
    - Interactive Elements Isuzu Model 4le1 Torque Manual
  8. Staying Engaged with Isuzu Model 4le1 Torque Manual
    - Joining Online Reading Communities
    - Participating in Virtual Book Clubs
    - Following Authors and Publishers Isuzu Model 4le1 Torque Manual
  9. Balancing eBooks and Physical Books Isuzu Model 4le1 Torque Manual
    - Benefits of a Digital Library
    - Creating a Diverse Reading Collection Isuzu Model 4le1 Torque Manual
  10. Overcoming Reading Challenges
    - Dealing with Digital Eye Strain
    - Minimizing Distractions
    - Managing Screen Time
  11. Cultivating a Reading Routine Isuzu Model 4le1 Torque Manual
    - Setting Reading Goals Isuzu Model 4le1 Torque Manual
    - Carving Out Dedicated Reading Time
  12. Sourcing Reliable Information of Isuzu Model 4le1 Torque Manual
    - Fact-Checking eBook Content of Isuzu Model 4le1 Torque Manual
    - Distinguishing Credible Sources
  13. Promoting Lifelong Learning
    - Utilizing eBooks for Skill Development
    - Exploring Educational eBooks
  14. Embracing eBook Trends
    - Integration of Multimedia Elements
    - Interactive and Gamified eBooks

### Isuzu Model 4le1 Torque Manual Introduction

Isuzu Model 4le1 Torque Manual Offers over 60,000 free eBooks, including many classics that are in the public domain. Open Library: Provides access to over 1 million free eBooks, including classic literature and contemporary works. Isuzu Model 4le1 Torque Manual Offers a vast collection of books, some of which are available for free as PDF downloads, particularly older books in the public domain. Isuzu Model 4le1 Torque Manual : This website hosts a vast collection of scientific articles, books, and textbooks. While it operates in a legal gray area due to copyright issues, its a popular resource for finding various publications. Internet Archive for Isuzu Model 4le1 Torque Manual : Has an extensive collection of digital content, including books, articles, videos, and more. It has a massive library of free downloadable books. Free-eBooks Isuzu Model 4le1 Torque Manual Offers a diverse range of free eBooks across various genres. Isuzu Model 4le1 Torque Manual Focuses mainly on educational books, textbooks, and business books. It offers free PDF downloads for educational purposes. Isuzu Model 4le1 Torque Manual Provides a large selection of free eBooks in different genres, which are available for download in various formats, including PDF. Finding specific Isuzu Model 4le1 Torque Manual, especially related to Isuzu Model 4le1 Torque Manual, might be challenging as theyre often artistic creations rather than practical blueprints. However, you can explore the following steps to search for or create your own Online Searches: Look for websites, forums, or blogs dedicated to Isuzu Model 4le1 Torque Manual, Sometimes enthusiasts share their designs or concepts in PDF format. Books and Magazines Some Isuzu Model 4le1 Torque Manual books or magazines might include. Look for these in online stores or libraries. Remember that while Isuzu Model 4le1 Torque Manual, sharing copyrighted material without permission is not legal. Always ensure youre either creating your own or obtaining them from legitimate sources that allow sharing and downloading. Library Check if your local library offers eBook lending services. Many libraries have digital catalogs where you can borrow Isuzu Model 4le1 Torque Manual eBooks for free, including popular titles. Online Retailers: Websites like Amazon, Google Books, or Apple Books often sell eBooks. Sometimes, authors or publishers offer promotions or free periods for certain books. Authors Website Occasionally, authors provide excerpts or short stories for free on their websites. While this might not be the Isuzu Model 4le1 Torque Manual full book , it can give you a taste of the authors writing style. Subscription Services Platforms like Kindle Unlimited or Scribd offer subscription-based access to a wide range of Isuzu Model 4le1 Torque Manual eBooks, including some popular titles.

### FAQs About Isuzu Model 4le1 Torque Manual Books

**What is a Isuzu Model 4le1 Torque Manual PDF?** A PDF (Portable Document Format) is a file format developed by Adobe that preserves the layout and formatting of a document, regardless of the software, hardware, or operating system used to

view or print it. **How do I create a Isuzu Model 4le1 Torque Manual PDF?** There are several ways to create a PDF: Use software like Adobe Acrobat, Microsoft Word, or Google Docs, which often have built-in PDF creation tools. Print to PDF: Many applications and operating systems have a "Print to PDF" option that allows you to save a document as a PDF file instead of printing it on paper. Online converters: There are various online tools that can convert different file types to PDF. **How do I edit a Isuzu Model 4le1 Torque Manual PDF?** Editing a PDF can be done with software like Adobe Acrobat, which allows direct editing of text, images, and other elements within the PDF. Some free tools, like PDFescape or Smallpdf, also offer basic editing capabilities. **How do I convert a Isuzu Model 4le1 Torque Manual PDF to another file format?** There are multiple ways to convert a PDF to another format: Use online converters like Smallpdf, Zamzar, or Adobe Acrobat's export feature to convert PDFs to formats like Word, Excel, JPEG, etc. Software like Adobe Acrobat, Microsoft Word, or other PDF editors may have options to export or save PDFs in different formats. **How do I password-protect a Isuzu Model 4le1 Torque Manual PDF?** Most PDF editing software allows you to add password protection. In Adobe Acrobat, for instance, you can go to "File" -> "Properties" -> "Security" to set a password to restrict access or editing capabilities. Are there any free alternatives to Adobe Acrobat for working with PDFs? Yes, there are many free alternatives for working with PDFs, such as: LibreOffice: Offers PDF editing features. PDFsam: Allows splitting, merging, and editing PDFs. Foxit Reader: Provides basic PDF viewing and editing capabilities. How do I compress a PDF file? You can use online tools like Smallpdf, ILovePDF, or desktop software like Adobe Acrobat to compress PDF files without significant quality loss. Compression reduces the file size, making it easier to share and download. Can I fill out forms in a PDF file? Yes, most PDF viewers/editors like Adobe Acrobat, Preview (on Mac), or various online tools allow you to fill out forms in PDF files by selecting text fields and entering information. Are there any restrictions when working with PDFs? Some PDFs might have restrictions set by their creator, such as password protection, editing restrictions, or print restrictions. Breaking these restrictions might require specific software or tools, which may or may not be legal depending on the circumstances and local laws.

### **Find Isuzu Model 4le1 Torque Manual :**

~~exploration in core math geometry answers~~

**excel 20to 20interactive guide**

**exchange server 2010 configuration lab manual**

~~excel f 2013 independent challenge 3~~

~~excerpt from born worker by gary soto~~

excel 2010 certiport answers

*examples of opinion papers*

[explorations in core math chapter 7th grade answers workbook](#)

[exampler of geography in november 2014 in grade 10](#)

[exemplar papers grade 1caps 23](#)

**exemplar physical science question papers caps**

[explanatory essay paper topics](#)

[exaplar for garde 11 business studies of november 2014](#)

[excel 2007 manual](#)

[experimental chemistry answer manual](#)

### **Isuzu Model 4le1 Torque Manual :**

**por qué elegir puentes de madera para construcción civil** - Apr 12 2023

web nov 19 2020 dos puentes de maderas famosos para que no te quedes con la duda de la gran funcionalidad de los puentes de maderas vamos a dejarte dos de los puentes de maderas más famosos que existen y que han sido valorados por su buena infraestructura

[3 formas de construir un puente de madera balsa wikipedi](#) - Feb 10 2023

web 1 elige los materiales antes de empezar la fase de planeamiento de la construcción del puente debes asegurarte de que tienes todos los materiales que vas a necesitar necesitarás madera balsa para la estructura antes de comprar las láminas de madera calcula la longitud del puente

[puentes de madera en infraestructura sostenible eurodita com](#) - May 01 2022

web los puentes de madera proporcionan una alternativa económica y sostenible a las estructuras de hormigón lo que los hace ideales para zonas rurales con poco tráfico y uso su longevidad depende en gran medida del tipo de madera tratamientos conservantes utilizados y aplicados un problema asociado con el uso de creosota en puentes de

[catálogos de puentes de madera media madera](#) - May 13 2023

web los puentes de madera forman parte de las más de 1 000 obras ejecutadas que constituyen nuestra mejor carta de presentación descarga nuestros catálogos

[puentes de madera dupi prefabricats](#) - Mar 31 2022

web puentes de placas de madera estructura de puente formada por una disposición de placas de madera puentes de barras de madera la estructura del puente se constituye por un seguido de piezas lineales o barras según la estructura de estas barras los puentes pueden ser puentes con vigas de madera maciza o laminada

**puentes de madera una alternativa sustentable y natural que** - Jun 02 2022



web feb 7 2023 pero además las nuevas obras de los países más importantes del mundo eligen construir puentes de madera para reducir las emisiones de carbono para 2030 aprovechando así las ventajas sostenibles de la madera para este tipo de obras viales europa en los países nórdicos especialmente países bajos Bélgica japon china

**cómo construir un puente de madera para jardín guía paso a paso** - Feb 27 2022

web apr 1 2023 los puentes de madera son una alternativa duradera y elegante a los puentes de cemento y acero y pueden ser diseñados para adaptarse a cualquier estilo de jardín además los puentes de madera para jardín son fáciles de construir y mantener lo que los convierte en una solución ideal para cualquier propietario de vivienda que quiera

**los puentes de madera forestal maderero** - Jul 15 2023

web un puente califica como puente de madera si tiene una superestructura en madera con la función principal de soporte de carga asumida por vigas o losas hechas principalmente de madera un puente de madera también incluirá elementos de acero y fijaciones para unir los componentes de madera

**19 ideas de puentes de madera puentes puente de jardín** - Aug 04 2022

web 18 sep 2022 diferentes formas de construir un puente de madera ver más ideas sobre puentes puente de jardín jardines

*construcción de puente en base a paletas de madera udocz* - Dec 28 2021

web descarga gratis el pdf construcción de puente en base a paletas de madera encuentra los mejores documentos de ingeniería civil en udocz y ayuda a miles cómo tú

**puentes de madera inicio** - Sep 05 2022

web pioneros en la utilización de madera en la construcción moderna desde un profundo conocimiento y amor por el material media madera ingenieros consultores s l sabe aprovechar al máximo sus excepcionales cualidades sus más de 1 000 obras ejecutadas constituyen su mejor carta de presentación

**diseño de puentes realizados con udelar** - Jan 09 2023

web diseño de puentes realizados con madera de procedencia local para el paso de vehículos pesados en el sector agrícola y forestal 9 1 introducción actualmente en uruguay existe un déficit de infraestructura vial debido al aumento de la producción de granos en los últimos años errea et al 2011 y al incremento de la extracción

*puentes de madera wikipedia la enciclopedia libre* - Aug 16 2023

web los puentes de madera son casi con total seguridad el tipo más antiguo de estructuras empleadas para salvar obstáculos del terreno como cauces de arroyos o pequeños barrancos 1 comenzando con el simple tronco de un árbol colocado entre las dos orillas de una vaguada la construcción en madera evolucionó a lo largo de los siglos dando

*la madera para la construcción de puentes* - Jun 14 2023

web jun 8 2015 los puentes de madera pueden utilizarse tanto para el paso de vehículo vehicular y de personas peatonales

como de personas con un uso ocasional para vehículos como los de los campos de golf y parques naturales los puentes para el paso de ciclistas que cada vez se utilizan más

**puentes mixtos madera hormigón como alternativa definitiva** - Jul 03 2022

web oct 20 2014 pdf puentes de madera son un elemento importante de la red vial chilena dado que aproximadamente un 20 de todos los puentes carreteros son de este find read and cite all the research you

**puente de madera historia y ambiente wikipedia** - Jan 29 2022

web un puente de madera o un puente de madera es un puente que utiliza madera o madera como principal material estructural una de las primeras formas de puente las de madera se han utilizado desde la antigüedad

**puentes de madera incofusta fabrica de madera en valencia** - Dec 08 2022

web la gran experiencia y conocimiento en el diseño fabricación y construcción de puentes de madera que poseen los técnicos incofusta ofrece la posibilidad de realizar puentes de tipo vehicular como peatonales y con una amplia gama de tipología estructural ofreciendo para cada caso las mejores soluciones

**puentes de madera wood** - Oct 06 2022

web puentes de madera urnäsch brücke hundwil herisauer tobel suiza 1778 construido por hans ulrich grubenmann tiene un lago total de 32m puente peatonal uno de los primeros puentes sobre el río urnäsch se reconstruyó en 1778 luego de ser destruido por una gran inundación

**puentes de madera consejo superior de los colegios de arquitectos de** - Mar 11 2023

web definición puentes construcción de piedra ladrillo madera hormigón etc que se construye y forma sobre los ríos fosos y otros sitios para poder pasarlos pasarela puente pequeño o provisional puente para peatones destinado a salvar carreteras ferrocarriles etc

**1 829 imágenes gratis de puente de madera pixabay** - Nov 07 2022

web 1 829 imágenes gratis de puente de madera imágenes sin regalías 1 100 de 1 829 imágenes página siguiente

**dow play store for n73 test report and support gold ac** - Dec 31 2021

web what you can do with google play get games for android devices and chromebooks download google play games mobile app rent or buy movies and tv shows go to

**dow play store for n73 2023 2015 ieeeglobalsip org** - Jul 06 2022

web apr 2 2023 dow play store for n73 right here we have countless book dow play store for n73 and collections to check out we additionally find the money for variant types

**how to install the google play store on your amazon fire tablet** - Feb 13 2023

web jul 15 2023 download the google play store with the knowledge of which amazon fire model you have you ll be ready to

download the four apks necessary for running the  
[dow play store for n73 2015 ieeeglobalsip org](#) - Jun 05 2022

web oct 14 2015 firstly hey hey imusing play store and downloading to my chromebook plus theres away to get to the setting for allowing installing from other sources so can use

**find the google play store app google play help** - Mar 14 2023

web you can get apps games and digital content for your device using the google play store app the play store app comes pre installed on android devices that support google

*google play chrome web store google chrome* - May 04 2022

web mar 19 2022 download google play store for windows 11 pc step 1 uninstall android subsystem for android step 2 enable developer mode in windows 11 step 3 enable

*google play store download for pc windows 7 10 8 11* - Oct 09 2022

web install play for free watch predict to win your share of 10k in weekly cash prizes make the nfl season even more exciting by playing fox super 6 for free and have a

**android apps on google play** - Apr 15 2023

web enjoy millions of the latest android apps games music movies tv books magazines more anytime anywhere across your devices

*android apps on google play* - Sep 08 2022

web jun 6 2023 thing in the start you could buy guide dow play store for n73 or get it as soon as viable nevertheless below when you visit this web page it will be fittingly no

**get started with google play android google play** - Jan 12 2023

web get started with google play you can find and download apps and digital content in the google play store what you can do with google play get gamesfor android devices

**google play store apk for android download** - Sep 20 2023

the google play store app is an essential application for android users that allows them to browse download and update a variety of apps and games on their mobile devices with over 3 million apps games music movies tv shows and books the google play store app is the largest mobile marketplace see more

**dow play store for n73 help discoveram** - Aug 07 2022

web apr 2 2023 dow play store for n73 eventually you will no question discover a additional experience and carrying out by spending more cash yet when accomplish you agree to

[download google play store apks for android apkmirror](#) - Jun 17 2023

what is google play store it s a digital distribution platform where you can download and install various android apps games movies tv shows books music how do i update my apps on the play store open see more  
*get started with google play computer google play help* - Nov 29 2021

**google play for android download** - Aug 19 2023

minor bug fixes and improvements install or update to the newest version to check it out see more

**google play for android download the apk from** - Jul 18 2023

latest version uploaded by requires android available on category report see more

*google play wikipedia* - Dec 11 2022

web dow play store for n73 dow play store for n73 play store for nokia n73 apps and games how to install google play store on a nokia xl quora 3 websites to directly

**how to install the google play store on windows 11** - Mar 02 2022

web oct 13 2023 how to install and download whatsapp for pc 1 direct links to whatsapp download 2021 2022 latest version available for 32 64 bits 2 select your specific option

google play store download for pc windows 11 10 in 2023 - Apr 03 2022

web mar 31 2022 install the google play store we will be using a tool called powershell windows toolbox it contains a number of features including the ability to install the

**how to install and download google play store it s easy** - May 16 2023

web file size 16 38 mb google play services updaters wear os version 25 3 13 uploaded may 18 2021 at 8 33pm pdt file size 31 12 mb google play store android

download google play store for pc for windows free - Feb 01 2022

web may 26 2023 this dow play store for n73 as one of the most working sellers here will completely be joined by the best choices to review it will immensely relaxation you to

**dow play store for n73 bespoke cityam** - Nov 10 2022

web oct 13 2023 download play store for pc from softmany with various compatibility with all types of devices the app has special compatibility with all types of windows

**new digital version of arborist certification study guide now** - Jun 19 2023

web apr 28 2020 this week isa is featuring the newly released digital version of the arborists certification study guide written by sharon j lily the fully illustrated must have book for arborist is now available in a digital format

*the new edition of the arborists certification study guide is now* - Aug 21 2023

web jul 7 2022 this month isa is featuring the arborists certification study guide fourth edition by sharon j lilly corinne g bassett james komen and lindsey purcell the fourth edition of arborists certification study guide is a must have and provides a strong foundation and reference for all tree care professionals

[international society of arboriculture](#) - Dec 13 2022

web get the mp3 version of the arborists certification study guide fourth edition including a complete verbal reading of all 16 chapters for those who find it difficult to read long chapters at the end of a busy workday this mp3 is designed to focus on study sessions and reinforce concepts

[ebook download arborists certification study guide yumpu](#) - Jan 02 2022

web feb 3 2023 this fully illustrated third edition of the study guide is a must have for isa certified arborist candidates and provides a strong foundation and reference for all tree care professionals 2010 softcover 352 pp 325 full color illustrations glossary index each chapter contains learning objectives key terms text with illustrations and ph

*arborists certification study guide 4th edition amazon com* - Mar 16 2023

web jan 1 2022 arborists certification study guide 4th edition paperback january 1 2022 this fully illustrated 4th edition is a must have book for isa certified arborist candidates and provides a strong foundation and reference for all tree care professionals

**international society of arboriculture credentials types of** - Jul 08 2022

web this certification covers a large number of topics giving the candidates flexibility in the arboricultural profession for more information on how to become an isa certified arborist certified arborist application guide pdf isa arborista certificado formato de solicitud pdf spanis h application guide certified arborist online

[arborists certification study guide pdf download pdfseva com](#) - Feb 03 2022

web arborists certification study guide pdf free download isa study guide pdf fill online printable fillable blank new digital version of arborist certification study guide arborists certification study guide pdf this illustrated third edition of the study guide is a must have for isa certified arborist candidates and provides a

**study on the go with the arborists certification study guide** - Oct 11 2022

web feb 2 2023 the greatly expanded fourth edition of the arborists certification study guide provides a strong foundation and reference for all tree care professionals published in print in 2022 the fourth edition was updated for consistency with current best management practices including significant enhancements to the pruning risk

**amazon com certified arborist exam secrets study guide test** - Sep 10 2022

web aug 30 2020 certified arborist exam secrets study guide test review for the international society of arboriculture s certified arborist certification examination to help you get your best test performance of all arborist test sections our guide is

full of specific and detailed information that will be key to passing your exam

[arborists certification study guide book online z library](#) - Aug 09 2022

web discover arborists certification study guide book an intriguing read explore arborists certification study guide in z library and find free summary reviews read online quotes related books ebook resources

**international society of arboriculture** - Apr 17 2023

web this fully illustrated fourth edition is a must have book for isa certified arborist candidates and provides a strong foundation and reference for all tree care professionals features complete and up to date resource designed to help you prepare for the isa certified arborist exam

**arborist certification study guide treestuff** - Feb 15 2023

web arborists certification study guide is a complete study resource developed for use in preparing for the isa certified arborist exam the third edition has been expanded to include new and updated information from research and practice 325 full color images and a

[arborists certification study guide by isa goodreads](#) - Nov 12 2022

web a complete educational text and study resource designed to help you prepare for the isa certified arborist exam expanded chapters with latest information new chapter urban forestry which discusses the management of larger

**digital arborists certification study guide fourth edition** - Jul 20 2023

web features complete and up to date resource designed to help you prepare for the isa certified arborist exam fully illustrated in color with over 440 photos and illustrations including nearly 200 new to this edition significantly enhanced chapters on pruning risk assessment climbing and urban forestry

**pdf download arborists amp 039 certification study guide** - Mar 04 2022

web sep 22 2020 online read book format pdf ebook download pdf and read online pdf download arborists certification study guide book pdf epub step by step to download this book click the button download sign up registration to access arborists certification study guide unlimited books

*arborists certification study guide 4th edition trees* - May 18 2023

web complete and up to date resource designed to help you prepare for the isa certified arborist exam fully illustrated in colour with over 440 photos and illustrations including nearly 200 new to this edition significantly enhanced chapters on pruning risk assessment climbing and urban forestry

**pdf certified arborist exam secrets study guide arborist** - Jun 07 2022

web sep 5 2020 1 create a free account 2 choose from our vast selection of ebook and pdf 3 please see if you are eligible to read or download book pdf certified arborist exam secrets study guide arborist test review for the international society of

arboriculture s certified arborist certification examination kindle

[arborists certification study guide amazon com](#) - Jan 14 2023

web jan 1 2010 arborists certification study guide lilly sharon j on amazon com free shipping on qualifying offers arborists certification study guide

[ebook arborists amp amp 039 certification study guide](#) - May 06 2022

web download arborists certification study guide ebook read online download greatebook club book 1881956695 pdf

download arborists certification

[certified arborist practice test arborist certification](#) - Apr 05 2022

web check out our premium certified arborist study guide to take your studying to the next level if you benefit from these materials just click the link below to compliment our arborist certification book we also offer extensive certified arborist flashcards for even more arborist certification test prep help