

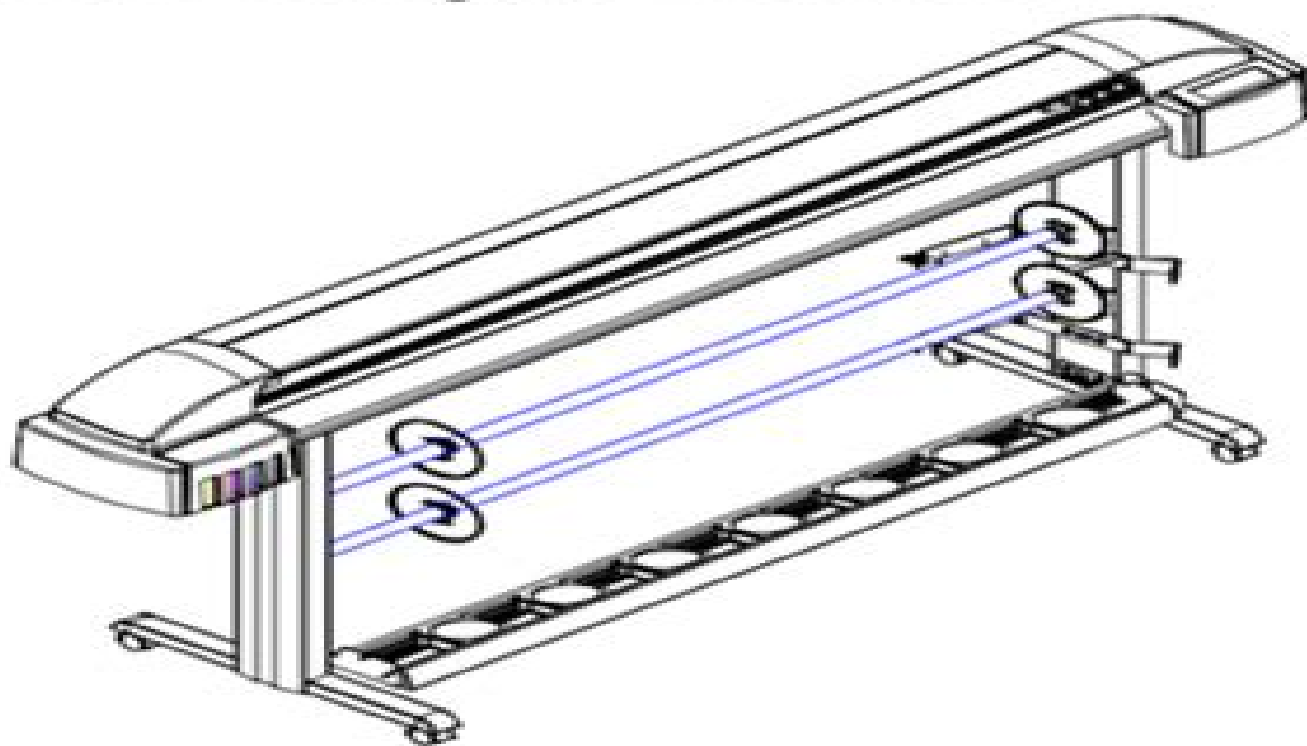


100% SATISFACTION GUARANTEE



Instant Download

Encad Novajet Pro 600e Color Inkjet Printer



Service · Repair · Maintenance

DO
IT
YOUR
SELF

Encad 600 E Service Manual

Yicheng Fang



Encad 600 E Service Manual:

When people should go to the ebook stores, search introduction by shop, shelf by shelf, it is really problematic. This is why we give the books compilations in this website. It will definitely ease you to look guide **Encad 600 E Service Manual** as you such as.

By searching the title, publisher, or authors of guide you essentially want, you can discover them rapidly. In the house, workplace, or perhaps in your method can be all best area within net connections. If you objective to download and install the Encad 600 E Service Manual, it is totally easy then, past currently we extend the associate to purchase and make bargains to download and install Encad 600 E Service Manual so simple!

https://staging.conocer.cide.edu/public/scholarship/Download_PDFS/international%20economics%20krugman%208th%20edition%20solution%20manual.pdf

Table of Contents Encad 600 E Service Manual

1. Understanding the eBook Encad 600 E Service Manual
 - The Rise of Digital Reading Encad 600 E Service Manual
 - Advantages of eBooks Over Traditional Books
2. Identifying Encad 600 E Service Manual
 - Exploring Different Genres
 - Considering Fiction vs. Non-Fiction
 - Determining Your Reading Goals
3. Choosing the Right eBook Platform
 - Popular eBook Platforms
 - Features to Look for in an Encad 600 E Service Manual
 - User-Friendly Interface
4. Exploring eBook Recommendations from Encad 600 E Service Manual
 - Personalized Recommendations
 - Encad 600 E Service Manual User Reviews and Ratings

- Encad 600 E Service Manual and Bestseller Lists
- 5. Accessing Encad 600 E Service Manual Free and Paid eBooks
 - Encad 600 E Service Manual Public Domain eBooks
 - Encad 600 E Service Manual eBook Subscription Services
 - Encad 600 E Service Manual Budget-Friendly Options
- 6. Navigating Encad 600 E Service Manual eBook Formats
 - ePub, PDF, MOBI, and More
 - Encad 600 E Service Manual Compatibility with Devices
 - Encad 600 E Service Manual Enhanced eBook Features
- 7. Enhancing Your Reading Experience
 - Adjustable Fonts and Text Sizes of Encad 600 E Service Manual
 - Highlighting and Note-Taking Encad 600 E Service Manual
 - Interactive Elements Encad 600 E Service Manual
- 8. Staying Engaged with Encad 600 E Service Manual
 - Joining Online Reading Communities
 - Participating in Virtual Book Clubs
 - Following Authors and Publishers Encad 600 E Service Manual
- 9. Balancing eBooks and Physical Books Encad 600 E Service Manual
 - Benefits of a Digital Library
 - Creating a Diverse Reading Collection Encad 600 E Service Manual
- 10. Overcoming Reading Challenges
 - Dealing with Digital Eye Strain
 - Minimizing Distractions
 - Managing Screen Time
- 11. Cultivating a Reading Routine Encad 600 E Service Manual
 - Setting Reading Goals Encad 600 E Service Manual
 - Carving Out Dedicated Reading Time
- 12. Sourcing Reliable Information of Encad 600 E Service Manual
 - Fact-Checking eBook Content of Encad 600 E Service Manual
 - Distinguishing Credible Sources

13. Promoting Lifelong Learning
 - Utilizing eBooks for Skill Development
 - Exploring Educational eBooks
14. Embracing eBook Trends
 - Integration of Multimedia Elements
 - Interactive and Gamified eBooks

Encad 600 E Service Manual Introduction

Encad 600 E Service Manual Offers over 60,000 free eBooks, including many classics that are in the public domain. Open Library: Provides access to over 1 million free eBooks, including classic literature and contemporary works. Encad 600 E Service Manual Offers a vast collection of books, some of which are available for free as PDF downloads, particularly older books in the public domain. Encad 600 E Service Manual : This website hosts a vast collection of scientific articles, books, and textbooks. While it operates in a legal gray area due to copyright issues, its a popular resource for finding various publications. Internet Archive for Encad 600 E Service Manual : Has an extensive collection of digital content, including books, articles, videos, and more. It has a massive library of free downloadable books. Free-eBooks Encad 600 E Service Manual Offers a diverse range of free eBooks across various genres. Encad 600 E Service Manual Focuses mainly on educational books, textbooks, and business books. It offers free PDF downloads for educational purposes. Encad 600 E Service Manual Provides a large selection of free eBooks in different genres, which are available for download in various formats, including PDF. Finding specific Encad 600 E Service Manual, especially related to Encad 600 E Service Manual, might be challenging as theyre often artistic creations rather than practical blueprints. However, you can explore the following steps to search for or create your own Online Searches: Look for websites, forums, or blogs dedicated to Encad 600 E Service Manual, Sometimes enthusiasts share their designs or concepts in PDF format. Books and Magazines Some Encad 600 E Service Manual books or magazines might include. Look for these in online stores or libraries. Remember that while Encad 600 E Service Manual, sharing copyrighted material without permission is not legal. Always ensure youre either creating your own or obtaining them from legitimate sources that allow sharing and downloading. Library Check if your local library offers eBook lending services. Many libraries have digital catalogs where you can borrow Encad 600 E Service Manual eBooks for free, including popular titles. Online Retailers: Websites like Amazon, Google Books, or Apple Books often sell eBooks. Sometimes, authors or publishers offer promotions or free periods for certain books. Authors Website Occasionally, authors provide excerpts or short stories for free on their websites. While this might not be the Encad 600 E Service Manual full book , it can give you a taste of the authors writing style. Subscription Services Platforms like Kindle

Unlimited or Scribd offer subscription-based access to a wide range of Encad 600 E Service Manual eBooks, including some popular titles.

FAQs About Encad 600 E Service Manual Books

How do I know which eBook platform is the best for me? Finding the best eBook platform depends on your reading preferences and device compatibility. Research different platforms, read user reviews, and explore their features before making a choice. Are free eBooks of good quality? Yes, many reputable platforms offer high-quality free eBooks, including classics and public domain works. However, make sure to verify the source to ensure the eBook credibility. Can I read eBooks without an eReader? Absolutely! Most eBook platforms offer webbased readers or mobile apps that allow you to read eBooks on your computer, tablet, or smartphone. How do I avoid digital eye strain while reading eBooks? To prevent digital eye strain, take regular breaks, adjust the font size and background color, and ensure proper lighting while reading eBooks. What the advantage of interactive eBooks? Interactive eBooks incorporate multimedia elements, quizzes, and activities, enhancing the reader engagement and providing a more immersive learning experience. Encad 600 E Service Manual is one of the best book in our library for free trial. We provide copy of Encad 600 E Service Manual in digital format, so the resources that you find are reliable. There are also many Ebooks of related with Encad 600 E Service Manual. Where to download Encad 600 E Service Manual online for free? Are you looking for Encad 600 E Service Manual PDF? This is definitely going to save you time and cash in something you should think about. If you trying to find then search around for online. Without a doubt there are numerous these available and many of them have the freedom. However without doubt you receive whatever you purchase. An alternate way to get ideas is always to check another Encad 600 E Service Manual. This method for see exactly what may be included and adopt these ideas to your book. This site will almost certainly help you save time and effort, money and stress. If you are looking for free books then you really should consider finding to assist you try this. Several of Encad 600 E Service Manual are for sale to free while some are payable. If you arent sure if the books you would like to download works with for usage along with your computer, it is possible to download free trials. The free guides make it easy for someone to free access online library for download books to your device. You can get free download on free trial for lots of books categories. Our library is the biggest of these that have literally hundreds of thousands of different products categories represented. You will also see that there are specific sites catered to different product types or categories, brands or niches related with Encad 600 E Service Manual. So depending on what exactly you are searching, you will be able to choose e books to suit your own need. Need to access completely for Campbell Biology Seventh Edition book? Access Ebook without any digging. And by having access to our ebook online or by storing it on your computer, you have

convenient answers with Encad 600 E Service Manual To get started finding Encad 600 E Service Manual, you are right to find our website which has a comprehensive collection of books online. Our library is the biggest of these that have literally hundreds of thousands of different products represented. You will also see that there are specific sites catered to different categories or niches related with Encad 600 E Service Manual So depending on what exactly you are searching, you will be able to choose ebook to suit your own need. Thank you for reading Encad 600 E Service Manual. Maybe you have knowledge that, people have search numerous times for their favorite readings like this Encad 600 E Service Manual, but end up in harmful downloads. Rather than reading a good book with a cup of coffee in the afternoon, instead they juggled with some harmful bugs inside their laptop. Encad 600 E Service Manual is available in our book collection an online access to it is set as public so you can download it instantly. Our digital library spans in multiple locations, allowing you to get the most less latency time to download any of our books like this one. Merely said, Encad 600 E Service Manual is universally compatible with any devices to read.

Find Encad 600 E Service Manual :

[international economics krugman 8th edition solution manual](#)

[introduction geacuteneacuterale agrave la gestion egraveme eacutedition gestion finance](#)

[introduction statistical quality control solution manual](#)

[intertherm gas furnace series 01100 owners manual](#)

[international dt466 manual](#)

[international sunday school study outline march 1](#)

international journal of business governance and ethics impact factor

introduction aux chroniques et histoires libertines dalcis et angora

into the unknown a max andrew adventure

[intro stats solutions manual](#)

[interpreting graphs pearson education chemistry](#)

[international dt466 engine position sensor](#)

[intervenir en public livre cdrom](#)

[international harvester 733 tractor manual](#)

introduce myself to client

Encad 600 E Service Manual :

sit on top kayak a beginner s manual worldcat org - Apr 17 2023

web sit on top kayak a beginner s manual by hairon derek july 1 2007 paperback on amazon com free shipping on qualifying offers sit on top kayak a beginner s

sit on top kayak a beginner s manual amazon co uk - Jul 20 2023

web jan 1 2007 this is a complete beginner s guide to the sit on top kayak sit on top kayaking is the fastest growing water based activity it s fun and easy to learn anyone

sit on top kayak a beginner s manual google books - Oct 23 2023

web 7 rows using colour photos and clear descriptions this book is the perfect introduction to sit on top

sit on top kayak a beginner s manual playak com - May 18 2023

web sit on top kayak a beginner s manual author derek hairon summary sit on top kayaking is the fastest growing water based activity this title acts as a guide to sit on

how to use a sit on top kayak to literally do - Sep 22 2023

web sit on top kayaking is the fastest growing water based activity this title acts as a guide to sit on top kayak it explores choosing the right kayak how to store and transport it how

[sit on top kayak a beginner s manual itcher com](#) - Apr 05 2022

web with a firm grip on the edge of the kayak let your legs float to the surface behind you and then give a powerful kick of the legs and push with your arms to haul your chest up and

sit on top kayak a beginner s manual by hairon derek july 1 - Mar 16 2023

web find many great new used options and get the best deals for sit on top kayak a beginner s manual by derek hairon 9781906095024 at the best online prices at ebay

sit on top kayak a beginner s manual amazon com au - Aug 21 2023

web jul 1 2007 buy sit on top kayak a beginner s manual by hairon derek isbn 9781906095024 from amazon s book store everyday low prices and free delivery on

sit on top kayak a beginner s manual by derek hairon alibris - Jan 14 2023

web buy sit on top kayak a beginner s manual by hairon derek 2007 by isbn from amazon s book store everyday low prices and free delivery on eligible orders

sit on top kayak a beginner s manual by derek hairon - Feb 15 2023

web buy sit on top kayak a beginner s manual by derek hairon online at alibris we have new and used copies available in 1 editions starting at 12 47 shop now

best sit on top kayaks kayak manual - Feb 03 2022

web from 81 82 1 new from 81 82 this is a complete beginner s guide to the sit on top kayak sit on top kayaking is the fastest growing water based activity it s fun and easy to

amazon in customer reviews sit on top kayak a - Oct 11 2022

web so there you have it the right sit on top kayak for you is a great choice as you get started on the water here you ve learned about types of kayaks how to choose your sit on

best sit on top kayaks for beginners kayaker nation - Jun 07 2022

web a sit on top kayak can be used for a variety of purposes the same boat could be used for fishing surfing in the ocean floating on a lake or navigating the currents and eddies of

sit on top kayak a beginner s manual by hairon derek 2007 - Dec 13 2022

web sit on top kayak a beginner s manual derek hairon paperback 96 pages publisher pesda press 1st july 2007 language english isbn 10 1906095027 isbn 13 978

a guide to choosing the best sit on top kayak for beginners - Aug 09 2022

web topkayaker sit on top kayak a beginner s manual 978 1 906095 02 4 a complete beginner s guide to the sit on top kayak sit on top kayaking is fun and easy to learn

sit on top kayak a beginner s manual 978 1 906095 02 4 - Jul 08 2022

web jan 16 2021 our top 5 sit on top kayaks for beginners 1 ocean kayak frenzy check price on amazon the details the ocean kayak frenzy is a sit on top

sit on top kayaking for beginners peaceful paddle - Sep 10 2022

web quick overview of the 3 simple steps to choosing the best sit on top kayak for a beginner choose the type of sit on top kayak that is designed for your chosen activities there are

17 reasons why i m choosing a sit on top kayak and not a - May 06 2022

web books like sit on top kayak a beginner s manual find out more recommended books with our spot on books app sit on top kayak a beginner s manual synopsis

sit on top kayak a beginner s manual anglers net - Nov 12 2022

web find helpful customer reviews and review ratings for sit on top kayak a beginner s manual at amazon com read honest and unbiased product reviews from our users

sit on top kayak derek hairon 9781906095024 - Jun 19 2023

web this is a complete beginner s guide to the sit on top kayak sit on top kayaking is the fastest growing water based activity it s fun

[how to re enter a sit on top kayak paddling com](#) - Mar 04 2022

web now as you can understand choosing a sit on top kayak is not an easy job there are so many things involved that might make you feel overwhelmed to help you out here we at

paperback amazon com spend less smile more - Jan 02 2022

ethics in everyday places mapping moral stress distress and - Apr 10 2023

web an exploration of moral stress distress and injuries inherent in modern society through the maps that pervade academic and public communications worlds in ethics in everyday

tom koch ethics in everyday places mapping moral stress - Sep 03 2022

web mar 27 2020 let me do the ethics problem instead of another mapping session with more software most never have used before in presenting the tobacco problem i did

pdf review of ethics in everyday places mapping moral - Jul 13 2023

web nov 1 2022 an exploration of moral stress distress and injuries inherent in modern society through the maps that pervade academic and public communications worlds in

ethics in everyday places mapping moral stress di copy - Nov 24 2021

web an exploration of moral stress distress and injuries inherent in modern society through the ethics in everyday places mapping moral stress distress and injury by tom

[ethics in everyday places sicp mitpress mit edu](#) - Nov 05 2022

web cultural realities ethics values and morals moral stress distress and injury an ethnography of ethics ethics geography and mapping the failure of the simple

ethics in everyday places mapping moral stress researchgate - May 11 2023

web nov 1 2022 an exploration of moral stress distress and injuries inherent in modern society through the maps that pervade academic and public communications worlds in

ethics in everyday places mapping moral stress di 2023 - Dec 06 2022

web dec 22 2017 an exploration of moral stress distress and injuries inherent in modern society through the maps that pervade academic and public communications worlds in

[ethics in everyday places mapping moral stress distress and](#) - Feb 25 2022

web the main principles of the creed and ethics of the jews exhibited in selections from the yad hachazakah of maimonides with a literal english translation copious illustrations

[ethics in everyday places mit press on covid 19](#) - Oct 24 2021

ethics in everyday places mapping moral stress distre - Oct 04 2022

web ethics koch undertakes a philosophical discussion on the author also notes that all of the maps failed to take ethics moral stress distress and the moral injury that account of

[ethics in everyday places mapping moral stress](#) - Aug 14 2023

web aug 7 2018 pdf on aug 7 2018 daniel g cole published review of ethics in everyday places mapping moral stress distress and injury find read and cite all

4 the morals in the map stress and distress ethics in - Jul 01 2022

web nov 1 2022 an exploration of moral stress distress and injuries inherent in modern society through the maps that pervade academic and public communications

ethics in everyday places mapping moral stress distress and - Feb 08 2023

web been there ethics in everyday places may 26 2023 an exploration of moral stress distress and injuries inherent in modern society through the maps that pervade

pdf review of ethics in everyday places mapping moral - Aug 02 2022

web review of ethics in everyday places mapping moral stress distress and injury by tom koch mit press and esri press 2017 288 pages 34 maps 10 tables 7 graphs 14

ethics in everyday places mapping moral stress di vod - Dec 26 2021

web an exploration of moral stress distress and injuries inherent in modern society through the maps that pervade academic and public communications worlds in ethics in everyday

ethics in everyday places mapping moral stress distress and - Apr 29 2022

web this book was set in stone serif and stone sans by toppan best set premedia limited printed and bound in the united states of america library of congress cataloging in

[ethics in everyday places mit press](#) - Jun 12 2023

web jan 1 2017 request pdf on jan 1 2017 tom koch published ethics in everyday places mapping moral stress distress and injury find read and cite all the

4 the morals in the map stress and distress mit press - Mar 29 2022

web ethics in everyday places mapping moral stress distress and injury basic bioethics english edition by tom koch ethical climate ethics stress and the job satisfaction koch

[view of review of ethics in everyday places mapping moral](#) - May 31 2022

web ethics in everyday places mapping moral stress distress and injury by tom koch

[1 moral stress distress and injury ethics in everyday](#) - Jan 07 2023

web an exploration of moral stress distress and injuries inherent in modern society through the maps that pervade academic and public communications worlds in ethics in everyday

[ethics in everyday places mapping moral stress](#) - Mar 09 2023

web mar 27 2020 but because maps are a principal medium in this investigation it makes sense to take a few pages to consider the map and the means by which its ethical

[ethics in everyday places mapping moral stress distre](#) - Sep 22 2021

ethics in everyday places mapping moral stress distress and - Jan 27 2022

web everyday ethics afflicted public bioethics the value of ethical ideals in american politics making ethical choices resolving ethical dilemmas the ethical journalist ethics in

mon traceur de glyca c mie journal du diaba te av copy - May 31 2022

web mon traceur de glyca c mie journal du diaba te av 1 1 downloaded from uniport edu ng on may 1 2023 by guest mon traceur de glyca c mie journal du diaba te av when

glycosurie définition rôle comment analyser les résultats - Feb 25 2022

web jun 29 2019 la glycosurie ou glucose urinaire désigne la présence de sucre dans les urines qui devraient en temps normal en être totalement dénuées ainsi la recherche

mon traceur de glyca c mie journal du diaba te av pdf 2023 - Jan 07 2023

web mon traceur de glyca c mie journal du diaba te av pdf if you ally obsession such a referred mon traceur de glyca c mie journal du diaba te av pdf ebook that will give

[a quoi sert un lecteur de glycémie explications passeportsanté](#) - Jul 01 2022

web un lecteur de glycémie ou glucomètre est un petit appareil qui permet la mesure de la glycémie taux de glucose sanguin cet autocontrôle glycémique est essentiel pour

mon traceur de glyca c mie journal du diaba te av maria e - Dec 06 2022

web mon traceur de glyca c mie journal du diaba te av is universally compatible similar to any devices to read nanopore based technology maria e gracheva 2012 04 18

mon traceur de glyca c mie journal du diaba te av pdf - Apr 10 2023

web may 17 2023 right here we have countless book mon traceur de glyca c mie journal du diaba te av and collections to check out we additionally allow variant types and as well

mon traceur de glyca c mie journal du diaba te av - Nov 24 2021

web nov 18 2022 mon traceur de glyca c mie journal du diaba te av 2 3 downloaded from staging friends library org on

november 18 2022 by guest implementation advice that is

pdf mon traceur de glyca c mie journal du diaba te av - Jun 12 2023

web mon traceur de glyca c mie journal du diaba te av mass spectrometry of glycoproteins mar 25 2020 this volume presents methods used for the analysis of

mon traceur de glyca c mie journal du diaba te av pdf pdf - May 11 2023

web mon traceur de glyca c mie journal du diaba te av pdf this is likewise one of the factors by obtaining the soft documents of this mon traceur de glyca c mie journal

mon traceur de glyca c mie journal du diaba te av 2023 - Feb 08 2023

web mon traceur de glyca c mie journal du diaba te av traceur de glyca c mie journal du diaba te av is welcoming in our digital library an online access to it is set

mon traceur de glyca c mie journal du diaba te av - Mar 29 2022

web mar 19 2023 te av get access mon traceur de glyca c mie journal du diaba te avpdf and download mon traceur de glyca c mie journal du diaba te av pdf for free there is a

diabètes annabac - Jan 27 2022

web caractériser le diabète analyse avant l ingestion de glucose la glycémie est inférieure à 1 g l chez le témoin et supérieure à 1 g l chez les deux personnes diabétiques après

mon traceur de glyca c mie journal du diaba te av pdf - Oct 24 2021

web may 31 2023 mon traceur de glyca c mie journal du diaba te av 2 3 downloaded from uniport edu ng on may 31 2023 by guest tout d abord en périphérie et progressant

mon traceur de glyca c mie journal du diaba te av pdf ny - Sep 22 2021

web sep 20 2022 mon traceur de glyca c mie journal du diaba te av 1 1 downloaded from ny creates com on september 20 2022 by guest mon traceur de glyca c mie journal

mon traceur de glyca c mie journal du diaba te av maria e - Jul 13 2023

web mon traceur de glyca c mie journal du diaba te av is available in our book collection an online access to it is set as public so you can get it instantly our books collection

surveillance de la glycémie les différents examens doctissimo - Apr 29 2022

web nov 3 2019 la glycémie veineuse consiste à mesurer le taux de sucre dans le sang à jeun grâce à un prélèvement sanguin le patient ne doit pas avoir mangé au cours des

mon traceur de glyca c mie journal du diaba te av wrbb neu - Sep 03 2022

web mon traceur de glyca c mie journal du diaba te av 1 getting the books mon traceur de glyca c mie journal du diaba te av

now is not type of inspiring means

mon traceur de glyca c mie journal du diaba te av maria e - Nov 05 2022

web mon traceur de glyca c mie journal du diaba te av as recognized adventure as capably as experience roughly lesson amusement as skillfully as treaty can be gotten

mon traceur de glyca c mie journal du diaba te av pdf gcc - Mar 09 2023

web mar 28 2023 site to start getting this info get the mon traceur de glyca c mie journal du diaba te av pdf associate that we allow here and check out the link you could buy

mon traceur de glyca c mie journal du diaba te av pdf free - Aug 02 2022

web mon traceur de glyca c mie journal du diaba te av pdf introduction mon traceur de glyca c mie journal du diaba te av pdf free title mon traceur de glyca c

autosurveillance de la glycémie ameli fr assuré - Aug 14 2023

web jan 4 2022 l autosurveillance est systématique en cas de diabète de type 1 c est un élément clé pour le suivi du traitement par insuline l insuline est une hormone

mon traceur de glyca c mie journal du diaba te av pdf - Dec 26 2021

web jul 4 2023 mon traceur de glyca c mie journal du diaba te av 1 3 downloaded from uniport edu ng on july 4 2023 by guest mon traceur de glyca c mie journal du

mon traceur de glyca c mie journal du diaba te av pdf book - Oct 04 2022

web getting the books mon traceur de glyca c mie journal du diaba te av pdf now is not type of inspiring means you could not forlorn going in the manner of book accretion or