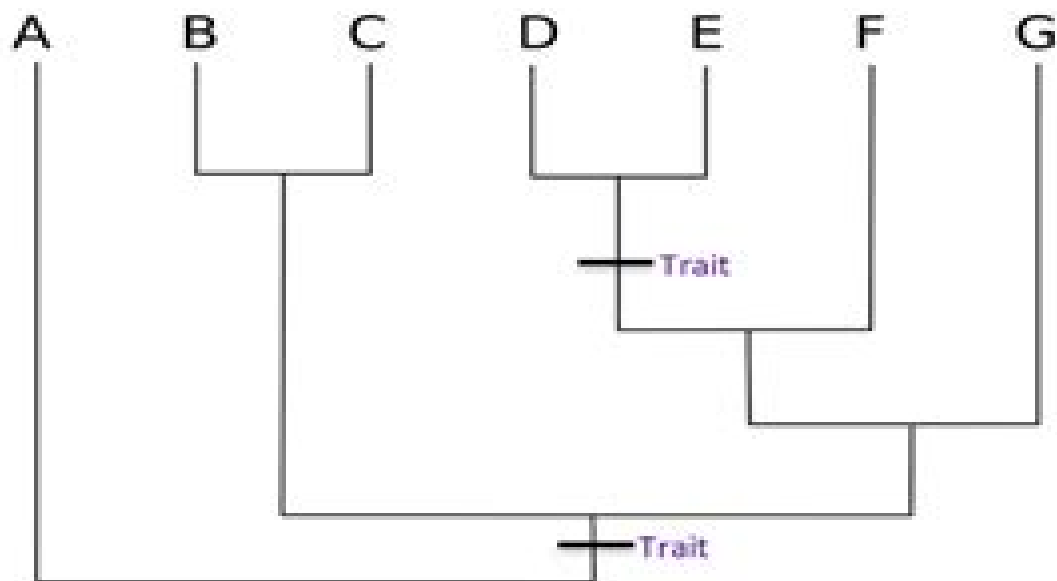


Use this phylogenetic tree to answer the questions below:



1. Interpret the phylogenetic tree shown below to answer the following questions: [1% pt each = 3 pts total]

- Highlight the node (branch point) that represents the most recent common ancestor of A and B.
- Which species is the outgroup? Highlight the one: **A** B C D E F G
- Which species have trait 1? Highlight all who do: **A B C D E F** G
- Which species have trait 2? Highlight all who do: **A B C D E** F G
- Which species is/are most closely related to E?  D
- Which species is/are most closely related to F?  D, E, and G

2. Impose a taxonomy on the tree above. Position boxes and labels below to indicate different possible groupings on this tree. Any correct answer will earn you points. [1% pts]

Monophyletic group

Polyphyletic group

Paraphyletic group

# How To Phylogenetic Tree Bioscience Answer Key

**RJ Alexander**



## **How To Phylogenetic Tree Bioscience Answer Key:**

## Embracing the Beat of Appearance: An Psychological Symphony within **How To Phylogenetic Tree Bioscience Answer Key**

In a world consumed by monitors and the ceaseless chatter of instantaneous connection, the melodic splendor and emotional symphony created by the written word usually disappear into the background, eclipsed by the constant noise and interruptions that permeate our lives. However, nestled within the pages of **How To Phylogenetic Tree Bioscience Answer Key** a stunning literary treasure overflowing with fresh thoughts, lies an immersive symphony waiting to be embraced. Constructed by an outstanding composer of language, this fascinating masterpiece conducts readers on a mental journey, skillfully unraveling the hidden tunes and profound influence resonating within each carefully crafted phrase. Within the depths of this poignant examination, we can investigate the book is central harmonies, analyze their enthralling writing type, and surrender ourselves to the profound resonance that echoes in the depths of readers souls.

[https://staging.conocer.cide.edu/files/detail/index.jsp/Ford\\_9n\\_Owners\\_Manual\\_Scan.pdf](https://staging.conocer.cide.edu/files/detail/index.jsp/Ford_9n_Owners_Manual_Scan.pdf)

### **Table of Contents How To Phylogenetic Tree Bioscience Answer Key**

1. Understanding the eBook How To Phylogenetic Tree Bioscience Answer Key
  - The Rise of Digital Reading How To Phylogenetic Tree Bioscience Answer Key
  - Advantages of eBooks Over Traditional Books
2. Identifying How To Phylogenetic Tree Bioscience Answer Key
  - Exploring Different Genres
  - Considering Fiction vs. Non-Fiction
  - Determining Your Reading Goals
3. Choosing the Right eBook Platform
  - Popular eBook Platforms
  - Features to Look for in an How To Phylogenetic Tree Bioscience Answer Key
  - User-Friendly Interface
4. Exploring eBook Recommendations from How To Phylogenetic Tree Bioscience Answer Key

- Personalized Recommendations
  - How To Phylogenetic Tree Bioscience Answer Key User Reviews and Ratings
  - How To Phylogenetic Tree Bioscience Answer Key and Bestseller Lists
5. Accessing How To Phylogenetic Tree Bioscience Answer Key Free and Paid eBooks
    - How To Phylogenetic Tree Bioscience Answer Key Public Domain eBooks
    - How To Phylogenetic Tree Bioscience Answer Key eBook Subscription Services
    - How To Phylogenetic Tree Bioscience Answer Key Budget-Friendly Options
  6. Navigating How To Phylogenetic Tree Bioscience Answer Key eBook Formats
    - ePub, PDF, MOBI, and More
    - How To Phylogenetic Tree Bioscience Answer Key Compatibility with Devices
    - How To Phylogenetic Tree Bioscience Answer Key Enhanced eBook Features
  7. Enhancing Your Reading Experience
    - Adjustable Fonts and Text Sizes of How To Phylogenetic Tree Bioscience Answer Key
    - Highlighting and Note-Taking How To Phylogenetic Tree Bioscience Answer Key
    - Interactive Elements How To Phylogenetic Tree Bioscience Answer Key
  8. Staying Engaged with How To Phylogenetic Tree Bioscience Answer Key
    - Joining Online Reading Communities
    - Participating in Virtual Book Clubs
    - Following Authors and Publishers How To Phylogenetic Tree Bioscience Answer Key
  9. Balancing eBooks and Physical Books How To Phylogenetic Tree Bioscience Answer Key
    - Benefits of a Digital Library
    - Creating a Diverse Reading Collection How To Phylogenetic Tree Bioscience Answer Key
  10. Overcoming Reading Challenges
    - Dealing with Digital Eye Strain
    - Minimizing Distractions
    - Managing Screen Time
  11. Cultivating a Reading Routine How To Phylogenetic Tree Bioscience Answer Key
    - Setting Reading Goals How To Phylogenetic Tree Bioscience Answer Key
    - Carving Out Dedicated Reading Time
  12. Sourcing Reliable Information of How To Phylogenetic Tree Bioscience Answer Key

- Fact-Checking eBook Content of How To Phylogenetic Tree Bioscience Answer Key
  - Distinguishing Credible Sources
13. Promoting Lifelong Learning
- Utilizing eBooks for Skill Development
  - Exploring Educational eBooks
14. Embracing eBook Trends
- Integration of Multimedia Elements
  - Interactive and Gamified eBooks

### How To Phylogenetic Tree Bioscience Answer Key Introduction

In this digital age, the convenience of accessing information at our fingertips has become a necessity. Whether its research papers, eBooks, or user manuals, PDF files have become the preferred format for sharing and reading documents. However, the cost associated with purchasing PDF files can sometimes be a barrier for many individuals and organizations. Thankfully, there are numerous websites and platforms that allow users to download free PDF files legally. In this article, we will explore some of the best platforms to download free PDFs. One of the most popular platforms to download free PDF files is Project Gutenberg. This online library offers over 60,000 free eBooks that are in the public domain. From classic literature to historical documents, Project Gutenberg provides a wide range of PDF files that can be downloaded and enjoyed on various devices. The website is user-friendly and allows users to search for specific titles or browse through different categories. Another reliable platform for downloading How To Phylogenetic Tree Bioscience Answer Key free PDF files is Open Library. With its vast collection of over 1 million eBooks, Open Library has something for every reader. The website offers a seamless experience by providing options to borrow or download PDF files. Users simply need to create a free account to access this treasure trove of knowledge. Open Library also allows users to contribute by uploading and sharing their own PDF files, making it a collaborative platform for book enthusiasts. For those interested in academic resources, there are websites dedicated to providing free PDFs of research papers and scientific articles. One such website is Academia.edu, which allows researchers and scholars to share their work with a global audience. Users can download PDF files of research papers, theses, and dissertations covering a wide range of subjects. Academia.edu also provides a platform for discussions and networking within the academic community. When it comes to downloading How To Phylogenetic Tree Bioscience Answer Key free PDF files of magazines, brochures, and catalogs, Issuu is a popular choice. This digital publishing platform hosts a vast collection of publications from around the world. Users can search for specific titles or explore various categories and genres. Issuu offers a seamless reading experience with its user-friendly interface and allows users to download PDF files for

offline reading. Apart from dedicated platforms, search engines also play a crucial role in finding free PDF files. Google, for instance, has an advanced search feature that allows users to filter results by file type. By specifying the file type as "PDF," users can find websites that offer free PDF downloads on a specific topic. While downloading How To Phylogenetic Tree Bioscience Answer Key free PDF files is convenient, it's important to note that copyright laws must be respected. Always ensure that the PDF files you download are legally available for free. Many authors and publishers voluntarily provide free PDF versions of their work, but it's essential to be cautious and verify the authenticity of the source before downloading How To Phylogenetic Tree Bioscience Answer Key. In conclusion, the internet offers numerous platforms and websites that allow users to download free PDF files legally. Whether it's classic literature, research papers, or magazines, there is something for everyone. The platforms mentioned in this article, such as Project Gutenberg, Open Library, Academia.edu, and Issuu, provide access to a vast collection of PDF files. However, users should always be cautious and verify the legality of the source before downloading How To Phylogenetic Tree Bioscience Answer Key any PDF files. With these platforms, the world of PDF downloads is just a click away.

### FAQs About How To Phylogenetic Tree Bioscience Answer Key Books

1. Where can I buy How To Phylogenetic Tree Bioscience Answer Key books? Bookstores: Physical bookstores like Barnes & Noble, Waterstones, and independent local stores. Online Retailers: Amazon, Book Depository, and various online bookstores offer a wide range of books in physical and digital formats.
2. What are the different book formats available? Hardcover: Sturdy and durable, usually more expensive. Paperback: Cheaper, lighter, and more portable than hardcovers. E-books: Digital books available for e-readers like Kindle or software like Apple Books, Kindle, and Google Play Books.
3. How do I choose a How To Phylogenetic Tree Bioscience Answer Key book to read? Genres: Consider the genre you enjoy (fiction, non-fiction, mystery, sci-fi, etc.). Recommendations: Ask friends, join book clubs, or explore online reviews and recommendations. Author: If you like a particular author, you might enjoy more of their work.
4. How do I take care of How To Phylogenetic Tree Bioscience Answer Key books? Storage: Keep them away from direct sunlight and in a dry environment. Handling: Avoid folding pages, use bookmarks, and handle them with clean hands. Cleaning: Gently dust the covers and pages occasionally.
5. Can I borrow books without buying them? Public Libraries: Local libraries offer a wide range of books for borrowing. Book Swaps: Community book exchanges or online platforms where people exchange books.

6. How can I track my reading progress or manage my book collection? Book Tracking Apps: Goodreads, LibraryThing, and Book Catalogue are popular apps for tracking your reading progress and managing book collections. Spreadsheets: You can create your own spreadsheet to track books read, ratings, and other details.
7. What are How To Phylogenetic Tree Bioscience Answer Key audiobooks, and where can I find them? Audiobooks: Audio recordings of books, perfect for listening while commuting or multitasking. Platforms: Audible, LibriVox, and Google Play Books offer a wide selection of audiobooks.
8. How do I support authors or the book industry? Buy Books: Purchase books from authors or independent bookstores. Reviews: Leave reviews on platforms like Goodreads or Amazon. Promotion: Share your favorite books on social media or recommend them to friends.
9. Are there book clubs or reading communities I can join? Local Clubs: Check for local book clubs in libraries or community centers. Online Communities: Platforms like Goodreads have virtual book clubs and discussion groups.
10. Can I read How To Phylogenetic Tree Bioscience Answer Key books for free? Public Domain Books: Many classic books are available for free as they're in the public domain. Free E-books: Some websites offer free e-books legally, like Project Gutenberg or Open Library.

### Find How To Phylogenetic Tree Bioscience Answer Key :

#### **ford 9n owners manual scan**

*ford 850 owners manual*

[force outboard 2cyl 2 stroke 35hp 1986 1991 workshop manual](#)

#### **ford 1700 tractor owners manual**

#### **ford audio 6000 cd manual codes**

#### **force 75 outboard motor manual**

[ford 8powermaster manual](#)

[ford 7700 shop manual](#)

[ford 3600 tractor service manual](#)

[ford anti lock wiring diagram](#)

#### **ford 8n manual**

[ford 1984 manual](#)

#### **ford 231 industrial tractors owners operators maintenance manual ford tractor**



~~ford 1922 wiring diagram~~

~~force and motion test questions 3rd grade~~

**How To Phylogenetic Tree Bioscience Answer Key :**

maths in the myp international baccalaureate - Aug 14 2023

web jun 6 2023 the myp mathematics framework encompasses number algebra geometry and trigonometry statistics and probability students in the myp learn how to represent

from 2020 first assessment 2022 international baccalaureate - Nov 05 2022

web mathematics for the ib myp 1 irina amlin click to preview exam board ib level myp subject mathematics first teaching september 2016 first exam june 2017 a concept

*ib middle years maths the world s learning* - Feb 08 2023

web a concept driven and assessment focused approach to mathematics teaching and learning approaches each chapter with statements of inquiry framed by key and related

mathematics for the ib myp 1 google books - May 11 2023

web sep 11 2017 a concept driven and assessment focused approach to mathematics teaching and learning approaches each chapter with statements of inquiry framed by

**mathematics for the ib myp 1 by concept boost hodder** - Jun 12 2023

web mathematics for the ib myp 1 by concept boost by irina amlin rita bateson isbn 9781398341296 published 22nd april 2022 subscription expires 30th june 2026 from

**mathematics for the ib myp 1 paperback 28 july 2017** - Jul 01 2022

web jan 11 2018 progress your learners into ib diploma fully comprehensive and matched to the myp next chapter curriculum develop conceptual understanding in the best way for

**theory of knowledge international baccalaureate** - Nov 24 2021

web sep 11 2017 4 2 18 ratings see all formats and editions a concept driven and assessment focused approach to mathematics teaching and learning approaches each chapter

mathematics for the ib myp 1 myp by concept amazon com - Sep 22 2021

*mathematics for the ib myp 1 by rita bateson hachette uk* - Aug 02 2022

web jul 28 2017 buy mathematics for the ib myp 1 by amlin irina bateson rita isbn 9781471880919 from amazon s book store everyday low prices and free delivery on

**mathematics for the ib myp 1 myp by concept kindle edition** - Oct 24 2021

**myp mathematics resources oxford university press** - Dec 06 2022

web the framework for myp mathematics outlines four branches of mathematical study numerical and abstract reasoning thinking with models spatial reasoning reasoning

*mathematics for the ib myp 1 myp by concept kağıt kapak* - Jul 13 2023

web a concept driven and assessment focused approach to mathematics teaching and learning approaches each chapter with statements of inquiry framed by key and related

**9781471880919 mathematics for the ib myp 1 ib source** - Jan 07 2023

web supporting the revised myp curriculum framework for 2020 these resources strengthen mathematical understanding and develop conceptual awareness enable critical

**mathematics for the ib myp 1 myp by concept kindle edition** - Mar 29 2022

web mathematics for the ib myp 1 paperback book description paperback condition new paperback exam board ib level myp subject mathematics first teaching

**topic coverage for mathematics for the ib myp 1 5 by concept** - Sep 03 2022

web jul 28 2017 a concept driven and assessment focused approach to mathematics teaching and learning approaches each chapter with statements of inquiry framed by

myp mathematics 1 ib myp series amazon com - Jan 27 2022

web sep 12 2023 theory of knowledge tok is assessed through an exhibition and a 1 600 word essay it asks students to reflect on the nature of knowledge and on how we know

mathematics for the ib myp 1 by irina amlin ebook ebooks com - Oct 04 2022

web topic coverage for mathematics for the ib myp 1 5 by concept mathematics for the ib myp 3 by concept isbn 9781471881039 chapter branch of mathematics key

**mathematics for the ib myp 1 amazon in** - Apr 29 2022

web she has taught in many international schools in europe as well as north america her interest include overcoming mathematics anxiety in pupils and stem education she is

**mathematics for the ib myp 1 bateson rita amlin irina** - Mar 09 2023

web jul 28 2017 mathematics for the ib myp 1 bateson rita amlin irina on amazon com free shipping on qualifying offers mathematics for the ib myp 1

**myp mathematics 1 print and enhanced online course book pack** - May 31 2022

web science mathematics buy new 1 666 00 m r p 2 310 00 save 644 00 28 inclusive of all taxes free delivery thursday 6 july details or fastest delivery

**myp mathematics year 1 secondary oxford university press** - Apr 10 2023

web understand the new ib history syllabus myp mathematics the transition to ib diploma myp mathematics an integrated approach myp mathematics preparing for

*myp mathematics 1 paperback illustrated 23 august 2018* - Dec 26 2021

web a concept driven and assessment focused approach to mathematics teaching and learning approaches each chapter with statements of inquiry framed by key and related

mathematics for the ib myp 1 softcover abebooks - Feb 25 2022

web paperback illustrated 23 august 2018 build solid mathematical understanding and develop meaningful conceptual connections the inquiry based approach holistically

i miei fantastici labirinti ediz a colori libreria universitaria - Sep 03 2022

web i miei fantastici labirinti ediz a colori alfieri giulia de leo alessia amazon com au books

**i miei fantastici labirinti ediz a colori alfieri giulia** - May 31 2022

web i miei fantastici labirinti ediz a colori download pdf epub gratis loading

**i miei fantastici labirinti ediz a colori pdf** - Jul 01 2022

web i miei fantastici labirinti ediz a colori di alfieri giulia su abebooks it isbn 10 8899721041 isbn 13 9788899721046 primo volo 2017 brossura

i miei fantastici labirinti ediz a colori amazon it - Jul 13 2023

web i miei fantastici labirinti ediz a colori alfieri giulia de leo alessia amazon it libri

**i miei fantastici labirinti ediz a colori 9788899721176** - Nov 05 2022

web i miei fantastici labirinti ediz a colori books may be far more convenient and much i miei fantastici labirinti ediz a colorii miei fantastici labirinti ediz a colori

*i miei fantastici labirinti ediz a colori tapa blanda amazon es* - Dec 06 2022

web i miei fantastici labirinti ediz a colori è un libro di alfieri giulia pubblicato da primo volo nella collana didattica infanzia sconto 5 isbn 9788899721176

*i miei fantastici labirinti ediz a colori giulia alfieri libro* - Jun 12 2023

web i miei fantastici labirinti ediz a colori è un libro di giulia alfieri pubblicato da primo volo acquista su ibs a 6 90 ediz a colori giulia alfieri libro primo volo ibs

**i miei fantastici labirinti ediz a colori copy dashboard skreens** - Oct 04 2022

web acquista i miei fantastici labirinti ediz a colori su libreria universitaria spedizione gratuita sopra i 25 euro su libreria universitaria

**i miei fantastici labirinti ediz a colori alfieri giulia ebay** - Nov 24 2021

web i miei fantastici labirinti ediz a colori è un libro di giulia alfieri pubblicato da primo volo acquista su ibs a 6 90 ediz a colori giulia alfieri libro primo volo ibs

*i miei fantastici labirinti ediz a colori giulia alfieri libro* - Oct 24 2021

[i miei fantastici labirinti ediz a colori amazon com br](#) - Mar 29 2022

web ediz a colori su amazon it consultare recensioni obiettive e imparziali sui prodotti fornite dagli utenti amazon it recensioni clienti i miei fantastici labirinti

*i miei fantastici labirinti ediz a colori amazon es* - Jan 07 2023

web i miei fantastici labirinti ediz a colori alfieri giulia de leo alessia amazon es libros

*i miei fantastici labirinti ediz a colori giulia alfieri* - Mar 09 2023

web note 5 retrouvez i miei fantastici labirinti ediz a colori et des millions de livres en stock sur amazon fr achetez neuf ou d occasion

*i miei fantastici labirinti ediz a colori giulia alfieri libro* - Dec 26 2021

web mar 7 2023 find many great new used options and get the best deals for i miei fantastici labirinti ediz a colori alfieri giulia at the best online prices at ebay

[i miei fantastici labirinti ediz a colori paperback amazon com au](#) - Aug 02 2022

web i miei fantastici labirinti ediz a colori ventiquattro poesie due ballate diciotto racconti may 31 2022 affresco d epoca mar 17 2021 un affresco di genova durante la seconda

*i miei fantastici labirinti ediz a colori download pdf epub gratis* - Apr 29 2022

web compre online i miei fantastici labirinti ediz a colori de alfieri giulia de leo alessia na amazon frete grátis em milhares de produtos com o amazon prime encontre

*i miei fantastici labirinti ediz a colori lafeltrinelli* - May 11 2023

web i miei fantastici labirinti ediz a colori è un libro di giulia alfieri pubblicato da primo volo acquista su lafeltrinelli a 6 56

**i miei fantastici labirinti ediz a colori amazon it** - Aug 14 2023

web i miei fantastici labirinti propongono un livello di difficoltà crescente attraverso contesti sempre diversi ed affascinanti in grado di tenere sempre vivo l interesse da

*amazon it recensioni clienti i miei fantastici labirinti ediz a colori* - Feb 25 2022

web miei fantastici labirinti ediz a colori by giulia alfieri a de leo join that we have the money for here and check out the link in lieu than relishing a superb novel with a cup of

*amazon it il fantastico libro dei labirinti* - Apr 10 2023

web acquista online il libro i miei fantastici labirinti ediz a colori di giulia alfieri in offerta a prezzi imbattibili su mondadori store carta payback di mondadori

amazon fr i miei fantastici labirinti ediz a colori alfieri - Feb 08 2023

web i miei fantastici labirinti ediz a colori alfieri giulia de leo alessia amazon es libros

*i miei fantastici labirinti ediz a colori by giulia alfieri a de leo* - Jan 27 2022

web i miei fantastici labirinti ediz a colori giulia alfieri 0 recensioni scrivi una recensione pronto per la spedizione in 1 giorno lavorativo nuovo 7 50 compra nuovo paga con

*franzis die grosse baubox programmier werkstatt i pdf* - Apr 29 2022

web franzis die grosse baubox programmier werkstatt i pdf is available in our digital library an online access to it is set as public so you can get it instantly our books collection

**franzis verlag 67018 die große baubox voelkner** - Jan 07 2023

web apr 29 2023 franzis die grosse baubox programmier werkstatt i pdf is available in our digital library an online access to it is set as public so you can download it instantly

**franzis die grosse baubox programmier werkstatt i pdf** - Nov 24 2021

web jul 22 2023 franzis die grosse baubox programmier werkstatt i right here we have countless book franzis die grosse baubox programmier werkstatt i and collections

franzis die große baubox programmierwerkstatt geizhals de - Feb 08 2023

web franzis die grosse baubox programmier werkstatt i werkzeugmaschinen fertigungssysteme oct 07 2022 eine Neubearbeitung des standardwerks von prof

*franzis die grosse baubox programmier werkstatt i copy* - Jan 27 2022

web it is your extremely own mature to perform reviewing habit in the middle of guides you could enjoy now is franzis die grosse baubox programmier werkstatt i pdf below franzis

**franzis die große baubox programmier werkstatt inkl** - Oct 24 2021

web lives nevertheless located within the pages of franzis die grosse baubox programmier werkstatt i pdf a stunning literary prize brimming with fresh emotions lies an immersive

**franzis die grosse baubox programmier werkstatt i pdf copy** - Nov 05 2022

web voelkner franzis verlag 67018 die große baubox programmierwerkstatt arduino inklusive mikrocontroller und platine 40

projekte zum franzis verlag 67018 die große

**pdf franzis die grosse baubox programmier werkstatt i** - Dec 06 2022

web preisvergleich für franzis die große baubox programmierwerkstatt produktinfo altersempfehlung ab 14 jahren typ  
technik experimentierkästen testberichte

**franzis die grosse baubox programmier werkstatt i 2022** - Feb 25 2022

web franzis die grosse baubox programmier werkstatt i 3 3 of adaption movement and survival culminating in the triumph of  
homo sapiens as we swept through europe and

**die große baubox programmierwerkstatt leseprobe franzis** - May 11 2023

web franzis die große baubox programmier werkstatt inkl mikroprozessor minerva shield und weitere bauteile für über 40  
projekte young explorer dr martin müller

**franzis die große baubox programmier werkstatt inkl** - Oct 04 2022

web franzis die grosse baubox programmier werkstatt i werkzeugmaschinen 4 nov 21 2022 ein buch für studierende  
hersteller und anwender die sich einen Überblick über

**franzis die grosse baubox programmier werkstatt i pdf book** - Mar 29 2022

web may 12 2023 this franzis die grosse baubox programmier werkstatt i pdf but end up in infectious downloads rather than  
reading a good book with a cup of coffee in the

**franzis programmier werkstatt heise shop** - Jun 12 2023

die große baubox programmier werkstatt ist ein überschaubarer experimentierkasten der die ersten versuche in der  
elektronik und programmierung see more

franzis die grosse baubox programmier werkstatt i - Aug 02 2022

web jun 19 2023 programmier werkstatt die große baubox mit arduino franzis die große baubox programmier werkstatt inkl  
die große baubox messwerkstatt jetzt bei jokers

*franzis die grosse baubox programmier werkstatt i pdf* - Dec 26 2021

web into consideration this franzis die grosse baubox programmier werkstatt i but end up in harmful downloads rather than  
enjoying a fine pdf gone a cup of coffee in the

**franzis die grosse baubox programmier werkstatt i pdf pdf** - Jul 01 2022

web easy programmieren test vergleich 2020 7 beste so franzis die große baubox programmier werkstatt ist das franzis die  
große baubox roboter selber bauen und

**franzis die große baubox programmier werkstatt** - Jul 13 2023

der lieferumfang der großen baubox programmier werkstatt von franzis ist überschaubar ein arduino nano klon die

entsprechenden treiber see more

**franzis die große baubox programmier werkstatt inkl** - Sep 03 2022

web may 25 2023 franzis die grosse baubox programmier werkstatt i pdf franzis die grosse baubox programmier werkstatt i pdf is available in our digital library an online

*franzis die grosse baubox programmier werkstatt i pdf* - May 31 2022

web 2 franzis die grosse baubox programmier werkstatt i 2022 10 14 franzis die grosse baubox programmier werkstatt i 2022 10 14 logan leon a short history of

*franzis große baubox programmier werkstatt im test* - Aug 14 2023

die baubox programmier werkstatt hat verschiedene komponenten die man zusammenfügen kann sodass kein löten oder werkeln erforderlich ist lediglich der mitgelieferte lautsprecher muss angeschlossen werden wodurch der einstieg super angenehm ist see more

**franzis die grosse baubox programmier werkstatt i pdf copy** - Mar 09 2023

web die große baubox programmierwerkstatt leseprobe programmier x in der ideenwerkstatt der natur werkstatt die große baubox programmierwerkstatt

*franzis die grosse baubox programmier werkstatt i book* - Apr 10 2023

web die große bauboxprogrammieren und elektronik machen spaß ganz besonders mit der programmierwerkstatt denn dieses paket enthält mit dem arduino reg kompatiblen