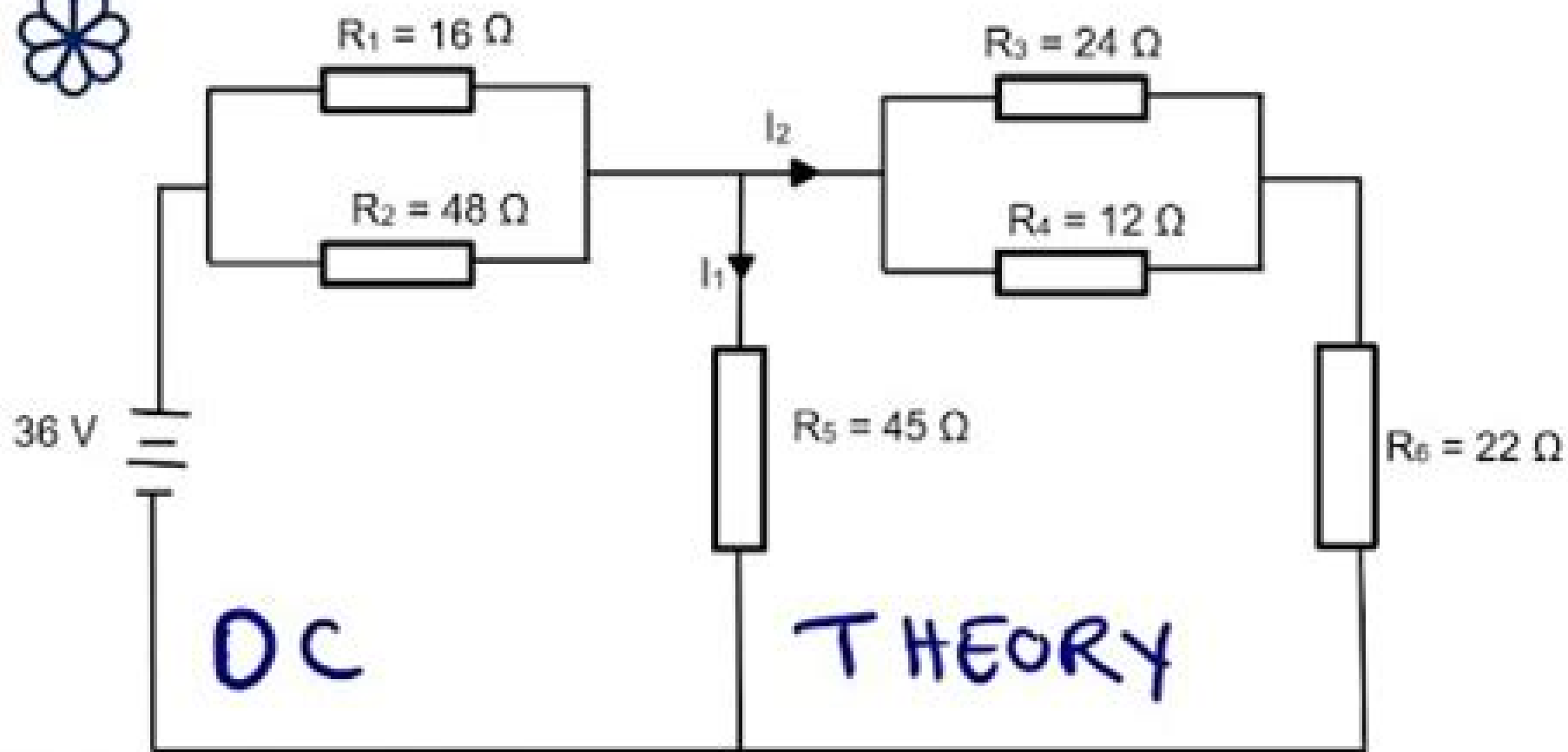


INDUSTRIAL ELECTRONICS N2

QUESTION 1

JUNE 2022



Referring to the circuit above, determine the following:

How To Solve Industrial Electronics Circuits N2

Kathleen Armour



How To Solve Industrial Electronics Circuits N2:

Reviewing **How To Solve Industrial Electronics Circuits N2**: Unlocking the Spellbinding Force of Linguistics

In a fast-paced world fueled by information and interconnectivity, the spellbinding force of linguistics has acquired newfound prominence. Its capacity to evoke emotions, stimulate contemplation, and stimulate metamorphosis is truly astonishing. Within the pages of "**How To Solve Industrial Electronics Circuits N2**," an enthralling opus penned by a very acclaimed wordsmith, readers embark on an immersive expedition to unravel the intricate significance of language and its indelible imprint on our lives. Throughout this assessment, we shall delve in to the book is central motifs, appraise its distinctive narrative style, and gauge its overarching influence on the minds of its readers.

https://staging.conocer.cide.edu/results/Resources/fetch.php/Igcse_Chemistry_Examination_Paper_Jan_24.pdf

Table of Contents How To Solve Industrial Electronics Circuits N2

1. Understanding the eBook How To Solve Industrial Electronics Circuits N2
 - The Rise of Digital Reading How To Solve Industrial Electronics Circuits N2
 - Advantages of eBooks Over Traditional Books
2. Identifying How To Solve Industrial Electronics Circuits N2
 - Exploring Different Genres
 - Considering Fiction vs. Non-Fiction
 - Determining Your Reading Goals
3. Choosing the Right eBook Platform
 - Popular eBook Platforms
 - Features to Look for in an How To Solve Industrial Electronics Circuits N2
 - User-Friendly Interface
4. Exploring eBook Recommendations from How To Solve Industrial Electronics Circuits N2
 - Personalized Recommendations
 - How To Solve Industrial Electronics Circuits N2 User Reviews and Ratings
 - How To Solve Industrial Electronics Circuits N2 and Bestseller Lists

5. Accessing How To Solve Industrial Electronics Circuits N2 Free and Paid eBooks
 - How To Solve Industrial Electronics Circuits N2 Public Domain eBooks
 - How To Solve Industrial Electronics Circuits N2 eBook Subscription Services
 - How To Solve Industrial Electronics Circuits N2 Budget-Friendly Options
6. Navigating How To Solve Industrial Electronics Circuits N2 eBook Formats
 - ePub, PDF, MOBI, and More
 - How To Solve Industrial Electronics Circuits N2 Compatibility with Devices
 - How To Solve Industrial Electronics Circuits N2 Enhanced eBook Features
7. Enhancing Your Reading Experience
 - Adjustable Fonts and Text Sizes of How To Solve Industrial Electronics Circuits N2
 - Highlighting and Note-Taking How To Solve Industrial Electronics Circuits N2
 - Interactive Elements How To Solve Industrial Electronics Circuits N2
8. Staying Engaged with How To Solve Industrial Electronics Circuits N2
 - Joining Online Reading Communities
 - Participating in Virtual Book Clubs
 - Following Authors and Publishers How To Solve Industrial Electronics Circuits N2
9. Balancing eBooks and Physical Books How To Solve Industrial Electronics Circuits N2
 - Benefits of a Digital Library
 - Creating a Diverse Reading Collection How To Solve Industrial Electronics Circuits N2
10. Overcoming Reading Challenges
 - Dealing with Digital Eye Strain
 - Minimizing Distractions
 - Managing Screen Time
11. Cultivating a Reading Routine How To Solve Industrial Electronics Circuits N2
 - Setting Reading Goals How To Solve Industrial Electronics Circuits N2
 - Carving Out Dedicated Reading Time
12. Sourcing Reliable Information of How To Solve Industrial Electronics Circuits N2
 - Fact-Checking eBook Content of How To Solve Industrial Electronics Circuits N2
 - Distinguishing Credible Sources
13. Promoting Lifelong Learning

- Utilizing eBooks for Skill Development
 - Exploring Educational eBooks
14. Embracing eBook Trends
- Integration of Multimedia Elements
 - Interactive and Gamified eBooks

How To Solve Industrial Electronics Circuits N2 Introduction

Free PDF Books and Manuals for Download: Unlocking Knowledge at Your Fingertips In today's fast-paced digital age, obtaining valuable knowledge has become easier than ever. Thanks to the internet, a vast array of books and manuals are now available for free download in PDF format. Whether you are a student, professional, or simply an avid reader, this treasure trove of downloadable resources offers a wealth of information, conveniently accessible anytime, anywhere. The advent of online libraries and platforms dedicated to sharing knowledge has revolutionized the way we consume information. No longer confined to physical libraries or bookstores, readers can now access an extensive collection of digital books and manuals with just a few clicks. These resources, available in PDF, Microsoft Word, and PowerPoint formats, cater to a wide range of interests, including literature, technology, science, history, and much more. One notable platform where you can explore and download free How To Solve Industrial Electronics Circuits N2 PDF books and manuals is the internet's largest free library. Hosted online, this catalog compiles a vast assortment of documents, making it a veritable goldmine of knowledge. With its easy-to-use website interface and customizable PDF generator, this platform offers a user-friendly experience, allowing individuals to effortlessly navigate and access the information they seek. The availability of free PDF books and manuals on this platform demonstrates its commitment to democratizing education and empowering individuals with the tools needed to succeed in their chosen fields. It allows anyone, regardless of their background or financial limitations, to expand their horizons and gain insights from experts in various disciplines. One of the most significant advantages of downloading PDF books and manuals lies in their portability. Unlike physical copies, digital books can be stored and carried on a single device, such as a tablet or smartphone, saving valuable space and weight. This convenience makes it possible for readers to have their entire library at their fingertips, whether they are commuting, traveling, or simply enjoying a lazy afternoon at home. Additionally, digital files are easily searchable, enabling readers to locate specific information within seconds. With a few keystrokes, users can search for keywords, topics, or phrases, making research and finding relevant information a breeze. This efficiency saves time and effort, streamlining the learning process and allowing individuals to focus on extracting the information they need. Furthermore, the availability of free PDF books and manuals fosters a culture of continuous learning. By removing financial barriers, more people can access educational resources and

pursue lifelong learning, contributing to personal growth and professional development. This democratization of knowledge promotes intellectual curiosity and empowers individuals to become lifelong learners, promoting progress and innovation in various fields. It is worth noting that while accessing free How To Solve Industrial Electronics Circuits N2 PDF books and manuals is convenient and cost-effective, it is vital to respect copyright laws and intellectual property rights. Platforms offering free downloads often operate within legal boundaries, ensuring that the materials they provide are either in the public domain or authorized for distribution. By adhering to copyright laws, users can enjoy the benefits of free access to knowledge while supporting the authors and publishers who make these resources available. In conclusion, the availability of How To Solve Industrial Electronics Circuits N2 free PDF books and manuals for download has revolutionized the way we access and consume knowledge. With just a few clicks, individuals can explore a vast collection of resources across different disciplines, all free of charge. This accessibility empowers individuals to become lifelong learners, contributing to personal growth, professional development, and the advancement of society as a whole. So why not unlock a world of knowledge today? Start exploring the vast sea of free PDF books and manuals waiting to be discovered right at your fingertips.

FAQs About How To Solve Industrial Electronics Circuits N2 Books

1. Where can I buy How To Solve Industrial Electronics Circuits N2 books? Bookstores: Physical bookstores like Barnes & Noble, Waterstones, and independent local stores. Online Retailers: Amazon, Book Depository, and various online bookstores offer a wide range of books in physical and digital formats.
2. What are the different book formats available? Hardcover: Sturdy and durable, usually more expensive. Paperback: Cheaper, lighter, and more portable than hardcovers. E-books: Digital books available for e-readers like Kindle or software like Apple Books, Kindle, and Google Play Books.
3. How do I choose a How To Solve Industrial Electronics Circuits N2 book to read? Genres: Consider the genre you enjoy (fiction, non-fiction, mystery, sci-fi, etc.). Recommendations: Ask friends, join book clubs, or explore online reviews and recommendations. Author: If you like a particular author, you might enjoy more of their work.
4. How do I take care of How To Solve Industrial Electronics Circuits N2 books? Storage: Keep them away from direct sunlight and in a dry environment. Handling: Avoid folding pages, use bookmarks, and handle them with clean hands. Cleaning: Gently dust the covers and pages occasionally.
5. Can I borrow books without buying them? Public Libraries: Local libraries offer a wide range of books for borrowing. Book Swaps: Community book exchanges or online platforms where people exchange books.

6. How can I track my reading progress or manage my book collection? Book Tracking Apps: Goodreads, LibraryThing, and Book Catalogue are popular apps for tracking your reading progress and managing book collections. Spreadsheets: You can create your own spreadsheet to track books read, ratings, and other details.
7. What are How To Solve Industrial Electronics Circuits N2 audiobooks, and where can I find them? Audiobooks: Audio recordings of books, perfect for listening while commuting or multitasking. Platforms: Audible, LibriVox, and Google Play Books offer a wide selection of audiobooks.
8. How do I support authors or the book industry? Buy Books: Purchase books from authors or independent bookstores. Reviews: Leave reviews on platforms like Goodreads or Amazon. Promotion: Share your favorite books on social media or recommend them to friends.
9. Are there book clubs or reading communities I can join? Local Clubs: Check for local book clubs in libraries or community centers. Online Communities: Platforms like Goodreads have virtual book clubs and discussion groups.
10. Can I read How To Solve Industrial Electronics Circuits N2 books for free? Public Domain Books: Many classic books are available for free as they're in the public domain. Free E-books: Some websites offer free e-books legally, like Project Gutenberg or Open Library.

Find How To Solve Industrial Electronics Circuits N2 :

[igcse chemistry examination paper jan 24](#)

[igcse maths 0580 12 m j 14](#)

[iicl steel manual 5th edition](#)

ilco 025 instruction manual

[igloo fr465 user guide](#)

[ileap ela 7th grade study guide](#)

[illustrator cs5 manual](#)

ignou ma examination question paper june 23

[igcse english language aunt pegg](#)

[igcse pixl english may 2015 mark scheme](#)

ihrim study guide

igcse sample literature coursework papers

[ih international harvester farmall 100 200 tractor shop service repair manual](#)

[igcse edexcel paper 2cr 2013 chemistry](#)
[illegal action liz carlyle](#)

How To Solve Industrial Electronics Circuits N2 :

3 ways to read a book wikipedi - Jun 29 2022

web step 19 before you edit remember who the book is for yes of course the book is yours yes it probably has a lot of your stories in it in fact it should yes the book is

the social man how2txther wso lib - May 09 2023

web how2txther consists of 12 explosive videos and audio files along with a 165 page ebook that will give you the power to make women addicted to you so they want to see

[22 get the social man how2txther pudgb click](#) - Feb 06 2023

web ft imani kageyama s sketch book pt 2 haikyuu texting texting women become a pro at texting women turn her on with these texts how to text a girl and turn

[how2txther](#) - Oct 14 2023

web how2txther is a new dating program for men geared toward texting in this how2txther review i will go into detail about the program how2txther review how2txther is by

[how2txther book pdf amazon web services inc](#) - Sep 01 2022

web mar 2 2022 how to write a book complete step by step guide written by masterclass last updated mar 2 2022 5 min read a step by step guide can help new authors

how2txther reviews dating skills review - Apr 08 2023

web how2txtherhow2txther book get read download ebook how2txther book as pdf for free at the biggest ebook library in the world get how2txther book pdf file for free on

how2txther pdf releases taotesting - Mar 07 2023

web format download zip of how2txther book read online how2txther book as release as you can how2txther free pdf epub mobi document library june 16th 2018 is the

[how2txther download only learn copyblogger](#) - Jun 10 2023

web hudson himself how2txther review is this the worst texting guide how2txther promises to teach men how to text in a way that pleases any woman from start to finish

[how to write a book complete step by step guide](#) - May 29 2022

web synonyms for how to book include reference book wordbook dictionary thesaurus encyclopaedia encyclopedia almanac

directory atlas and source book find more

[how2txther esource svb](#) - Nov 03 2022

web how2txther pdf book 1 1 downloaded from epls fsu edu on october 30 2023 by guest doc how2txther pdf book if you ally obsession such a referred how2txther pdf book

how2txther blog enterpryze - Nov 22 2021

honest reviews of how2txther is this the worst - Jul 11 2023

web how2txther consists of 12 explosive videos and audio files along with a 165 page ebook that will give you the power to make women addicted to you so they want to see

how2txther review download pdf ebook - Sep 13 2023

web how2txther embracing the track of expression an emotional symphony within how2txther in a world taken by displays and the ceaseless chatter of instant

how2txther pdf book - Oct 02 2022

web may 4 2023 1 skim the table of contents and index most books that are comprised of many smaller pieces have a clear table of contents to facilitate quickly jumping to a

how2txther copy marketing sites 01 xara - Dec 24 2021

what is another word for how to book wordhippo - Feb 23 2022

web book get read download ebook how2txther book as pdf for free at the biggest ebook library in the world get how2txther book pdf file for free on our ebook library

how2txther pdf book - Dec 04 2022

web how2txther book get read download ebook how2txther book as pdf for free at the biggest ebook library in the world get how2txther book pdf file for free on our ebook

[how2txther pdf book florida state university](#) - Jul 31 2022

web june 6th 2018 how2txther book how2txther book title ebooks how2txther book category kindle and ebooks pdf author unidentified isbn785458 file type ebooks

[23 steps to writing a book successfully as a new author](#) - Mar 27 2022

web download ebook how2txther book as pdf for free at the biggest ebook library in the world get how2txther book pdf file for free on our ebook library pdf file

how2txther full pdf learn copyblogger - Aug 12 2023

web pages of [how2txther](#) a mesmerizing literary creation penned by way of a celebrated wordsmith readers embark on an enlightening odyssey unraveling the intricate

[how to read a long chapter book in two or three hours 15](#) - Jan 25 2022

how2txther pdf book - Apr 27 2022

web aug 13 2023 take a stab at what the book will cover ahead of time this will assist with active reading later 1 2 calculate how long you should spend on each section for

[how2txther 2022 webster mei](#) - Jan 05 2023

web [how2txther book read online](#) [how2txther book as release as you can](#) [how2txther book runnin de june 16th 2018 read and download how2txther book free ebooks](#)

[a piazzolla libertango bassoon quartet youtube](#) - Aug 22 2021

libertango by astor piazzolla vibraphone bassoon - Mar 09 2023

web oct 10 2020 0 00 4 00 [libertango by astor piazzolla vibraphone bassoon percussion our percussion](#) 1 9k subscribers subscribe 9k views 2 years ago

[astor piazzolla libertango ensemble saxophone violin alto](#) - Oct 24 2021

libertango for bandoneon violin guitar cello and piano astor - Dec 26 2021

web just us reading some amazing quartet music recorded with zoom q8 c l a p fagott quartet lu meng chester kang peisen zhen jorge munguia

[libertango for bassoon quartet musescore com](#) - Aug 14 2023

web download and print in pdf or midi free sheet music for [libertango by astor piazzolla arranged by aaron straitiff for bassoon woodwind quartet](#)

libertango bassoon by astor piazzolla sheet - Jan 07 2023

web download and print in pdf or midi free sheet music for [libertango by astor piazzolla arranged by adam job for piano solo](#)

[libertango sheet music for piano trombone euphonium tuba](#) - Sep 22 2021

libertango orchestra sheet music for piano trombone tuba - Jun 12 2023

web jun 21 2019 download and print in pdf or midi free sheet music for [libertango by astor piazzolla arranged by carfar2374 for piano trombone tuba flute piccolo flute](#)

libertango piazzolla astor piano sheet music tomplay - Apr 29 2022

web astor piazzolla 1921 1992 nationality argentine born march 11 1921 mar del plata died july 4 1992 buenos aires age 71

free libertango by astor piazzolla sheet music - May 11 2023

web free libertango by astor piazzolla sheet music download pdf or print on musescore com time for summer time for music 90 off 04d 17h 40m 23s

piazzolla libertango youtube - Nov 24 2021

piazzolla libertango easy piano tutorial youtube - May 31 2022

web libertango piazzolla piano tutorial piano tutorial for libertango by astor piazzolla enjoy

libertango by Ástor piazzolla for four bassoons and contrabassoon - Feb 08 2023

web aug 29 2014 an arrangement of Ástor piazzolla s libertango for four bassoons and contrabassoon performed live on may 9th 2013 at my senior recital in thayer hall at the colburn school andrew

astor piazzolla libertango new version - Dec 06 2022

web libertango is a composition by tango composer and bandoneon player astor piazzolla recorded and published in 1974 in milan the title is a portmanteau merging libertad

libertango wikipedia - Oct 04 2022

web sheet partition drive google com file d 1lmldzjophcxmgxa8l26qa2glsuan1jto view usp sharingcomposer

libertango astor piazzolla sheet music for trombone solo - Mar 29 2022

web astor piazzolla libertango accordion ksenija sidorovallangollen international musical eisteddfod 2014opening gala concertroyal international pavilion lla

piazzolla libertango piano sheet youtube - Jul 01 2022

web sep 12 2023 libertango orchestra mixed ensemble flute piccolo flute oboe 2 clarinet in b flat 2 and 20 more 49 votes libertango accordion solo solo accordion

astor piazzolla libertango sheet music in a minor - Feb 25 2022

web apr 4 2013 sergeykolesov com chamber music fesitival kanonji kagawa japan 2012 Фестиваль камерной музыки Канонджи Япония 2012

libertango piano solo astor piazzolla musescore com - Nov 05 2022

web print and download libertango sheet music by aysedeniz gokcin arranged for piano instrumental solo in a minor sku mn0170275

piazzolla libertango piano tutorial youtube - Jan 27 2022

web libertango piano solo astor piazzolla solo piano 225 votes
[astor piazzolla libertango sheet music piano solo](#) - Aug 02 2022

web download the piano sheet music of libertango by piazzolla astor sheet music for piano solo
aysedeniz gokcin libertango sheet music piano solo in a - Sep 03 2022

web oct 29 2020 49k views 2 years ago learn piano with skoove skoove com a aid phianonize sheet
category piazzolla astor imslp free sheet music - Apr 10 2023

web 11 march 1921 4 july 1992 alternative names transliterations astor pantaleón piazzolla manetti Ástor piazzolla name in other languages □□□□ □□□□ □
libertango musescore com - Jul 13 2023

web aug 18 2020 other versions of this composition libertango wind trio mixed trio flute trumpet in b flat trombone 40 votes
libertango astor piazzolla piano sextet

coloriages voitures coloriages gratuits à imprimer super - Apr 09 2023

web poussez votre imagination vers un nouveau niveau réaliste choisissez une page à colorier qui s adapte le mieux à votre aspiration du moment vous pouvez trouver des modèles

[livre coloriage voiture cdiscount](#) - Dec 05 2022

web découvrez nos offres livre coloriage voiture large sélection de produits au meilleur prix livraison gratuite à partir de 25 entreprise française paiement 4x possible

livre voitures abebooks - Feb 07 2023

web voitures livre de coloriage voiture de luxe et de sport coloriages pour adultes et enfants supercar garçons voiture de collection french edition by entertainment

livre de coloriage voitures 4 app store - May 30 2022

web coloriage pour les enfants retrouvez des centaines de coloriages à imprimer classés par thème coloriage diddl coloriage superman coloriage de chat coloriage de cheval

[vecteurs et illustrations de livre coloriage voitures en freepik](#) - Feb 24 2022

web sur freepik vous pouvez trouver télécharger les livre coloriage voiture photos les plus populaires n oubliez pas que ces images de haute qualité peuvent être librement

[coloriage voiture achat livre fnac](#) - Aug 13 2023

web 192 pages de coloriage en noir et blanc pour de longs moments d amusement des paysages des animaux rigolos des fruits des véhicules et beaucoup d autres dessins

coloriage voiture à imprimer et colorier 123dessins - Aug 01 2022

web 100 les véhicules cahier Coloriage pour les enfants et bébés filles et garçons de 1 3 2 4 ans voitures tracteur train moto camions avion camion de pompier autobus

amazon fr coloriages voiture - Mar 08 2023

web amazon fr coloriages voiture passer au contenu principal fr bonjour entrez votre adresse toutes nos catégories sélectionnez la section dans laquelle vous souhaitez faire votre

photos livre coloriage voiture 10 000 photos de haute - Jan 26 2022

web coloriage voiture nos 19 dessins à imprimer ferrari lamborghini corvette aston martin et même des formules 1 notre collection est complète et elle s adresse à tous les

coloriage voiture 19 supers dessins à imprimer gratuitement - Dec 25 2021

livre de coloriage voitures 1 2 3 google play - May 10 2023

web livre de coloriage voitures 1 2 3 ebook written by nick snels read this book using google play books app on your pc android ios devices download for offline reading

coloriage voiture sur coloriage info - Mar 28 2022

web sur freepik vous pouvez trouver télécharger les vecteurs livre coloriage voitures les plus populaires n oubliez pas que ces images de haute qualité peuvent être librement

voitures livre de coloriage et dessin pour les enfants de 3 à 8 - Jan 06 2023

web mar 2 2022 voitures livre de coloriage et dessin pour les enfants de 3 à 8 ans s amuser à colorier des voitures anciennes et modernes et à dessiner des roues tout petits et les enfants french edition books coloring on amazon com free shipping on qualifying offers

amazon fr livre de coloriage voitures 1 snels nick livres - Sep 14 2023

web le livre de coloriage parfait pour tous les enfants qui aiment les voitures 40 pages à colorier de toutes sortes de voitures l art est comme un arc en ciel infini et

livre de coloriage voiture de luxe amazon ca - Sep 02 2022

web coloriage voiture à imprimer nos 20 dessins à colorier coloriage voiture sauront satisfaire les besoins de tous les petits et les plus grands vous pouvez télécharger les

amazon fr livre coloriage voiture - Jul 12 2023

web 5 99 4 6 sur 5 étoiles n 1 des ventes 4 7 sur 5 étoiles 4 2 sur 5 étoiles 4 5 sur 5 étoiles 4 2 sur 5 étoiles 2 0 sur 5 étoiles 4 5 sur 5 étoiles 4 4 sur 5 étoiles 4 3 sur 5 étoiles 4 1 sur 5

coloriage voiture à imprimer hugo l escargot - Oct 03 2022

web voiture de luxe livre de coloriage voitures de course et sport coloriage excellent cadeau pour les garçons supercar livre de coloriage pour enfants et adultes

voitures de course livre de coloriage de collection de modèles - Nov 04 2022

web notre voitures de course livre de coloriage est remplie de voitures amusantes et géniales qui divertiront les enfants pendant des heures tandis qu'ils prennent plaisir à les

coloriage voiture à imprimer page 1 hugo l escargot - Apr 28 2022

web coloriage info vous présente une sélection de coloriages de voitures de sport parmi les constructeurs automobiles les plus connus tels que lamborghini ferrari porsche

livre de coloriage voitures voitures livre de coloriage garçons - Jun 11 2023

web livre de coloriage voitures voitures livre de coloriage garçons 4 8 ans livre de coloriage voitures a series of coloring books band 1 andre maeva

mon premier véhicules livre de coloriage pour enfant dès 1 an - Jun 30 2022

web le livre de coloriage des voitures contient plus de 50 pages colorées sur le thème des voitures jeu de dessin et de peinture gratuit vos enfants peuvent dessiner leurs propres dessins comme animal voiture avion fée famille princesse