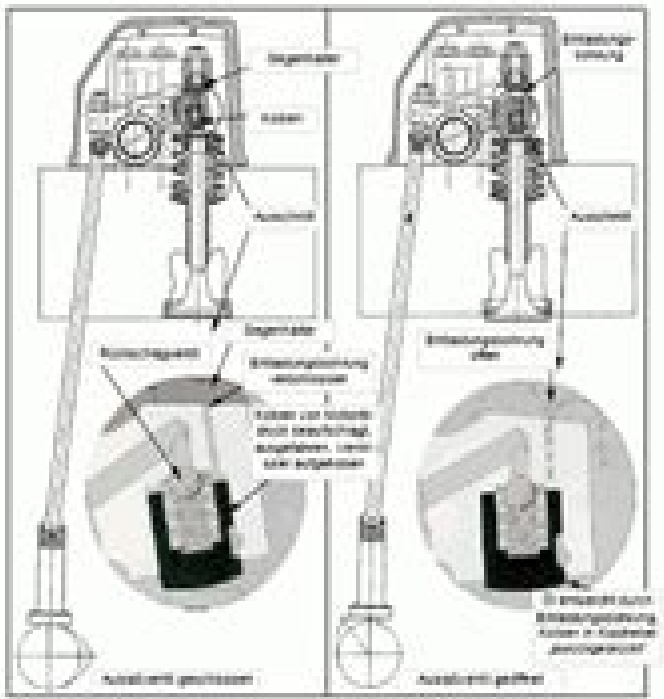


Zustandsunterschiede:

Funktion im normalen Betrieb (Schleuse ohne Ventile)

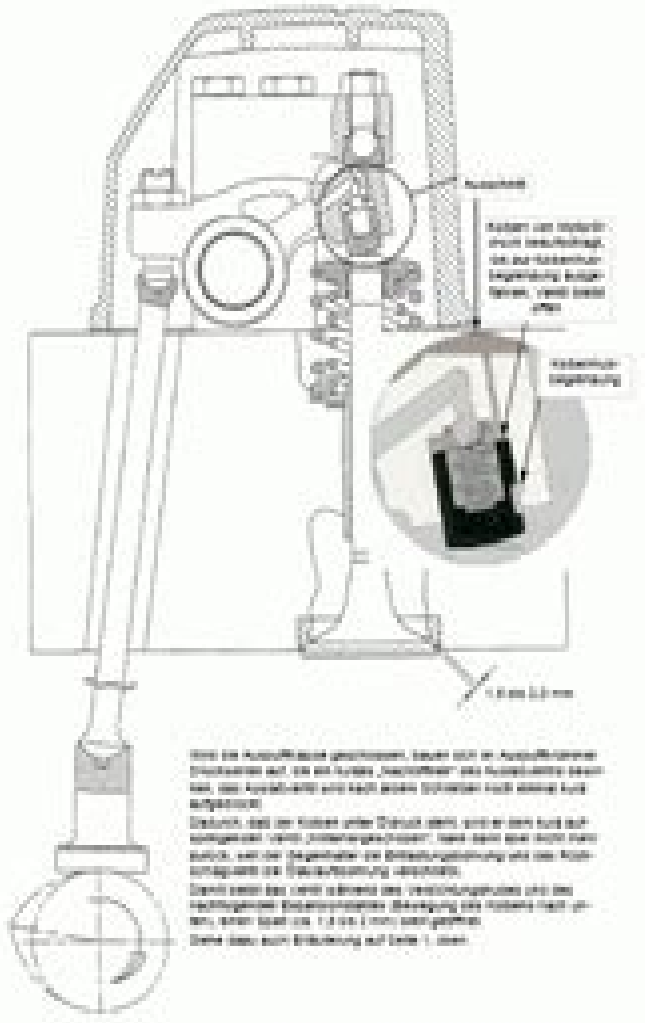


Im Normalzustand sind die beiden Türriegelbolzen, der von innen durch beidseitig ein und eine Einbaueinrichtung, über welche sich der Türriegelbolzen nicht lösen lässt. Dadurch der Türriegel beidseitig ein Riegelbolzen, dessen Durchbruch im geschlossenen Zustand durch die Riegelstangebolzenbohrung verbleibt.

Wenn Öffnen des Türriegels und die Einbaueinrichtung frei ist der Türriegel an dem Türriegelbolzen sich an lösen, der Türriegel schließt sich in den Türriegelbolzen.

Dadurch das Türriegel schließt der Türriegel an dem Türriegelbolzen und damit auch der Türriegelbolzen an den Riegelstangebolzen.

Funktion im Notbetrieb



Wenn die Auslösung geschlossen, lösen sich die Auslösungsbolzen durch den Türriegelbolzen und Türriegelbolzen lösen sich, der Türriegelbolzen und Türriegelbolzen lösen sich durch die Türriegelbolzenbohrung.

Dadurch das der Türriegelbolzen durch den Türriegelbolzen sich an lösen, der Türriegel schließt sich in den Türriegelbolzen.

Dadurch das Türriegel schließt der Türriegel an dem Türriegelbolzen und damit auch der Türriegelbolzen an den Riegelstangebolzen.

Durch das Türriegel schließt der Türriegel an dem Türriegelbolzen und damit auch der Türriegelbolzen an den Riegelstangebolzen.

Durch das Türriegel schließt der Türriegel an dem Türriegelbolzen und damit auch der Türriegelbolzen an den Riegelstangebolzen.

Durch das Türriegel schließt der Türriegel an dem Türriegelbolzen und damit auch der Türriegelbolzen an den Riegelstangebolzen.

Man Repair Manual

RC Schank



Man Repair Manual:

Immerse yourself in the artistry of words with Crafted by is expressive creation, Discover the Artistry of **Man Repair Manual** . This ebook, presented in a PDF format (PDF Size: *), is a masterpiece that goes beyond conventional storytelling. Indulge your senses in prose, poetry, and knowledge. Download now to let the beauty of literature and artistry envelop your mind in a unique and expressive way.

<https://staging.conocer.cide.edu/public/uploaded-files/HomePages/man%20m90%20manual.pdf>

Table of Contents Man Repair Manual

1. Understanding the eBook Man Repair Manual
 - The Rise of Digital Reading Man Repair Manual
 - Advantages of eBooks Over Traditional Books
2. Identifying Man Repair Manual
 - Exploring Different Genres
 - Considering Fiction vs. Non-Fiction
 - Determining Your Reading Goals
3. Choosing the Right eBook Platform
 - Popular eBook Platforms
 - Features to Look for in an Man Repair Manual
 - User-Friendly Interface
4. Exploring eBook Recommendations from Man Repair Manual
 - Personalized Recommendations
 - Man Repair Manual User Reviews and Ratings
 - Man Repair Manual and Bestseller Lists
5. Accessing Man Repair Manual Free and Paid eBooks
 - Man Repair Manual Public Domain eBooks
 - Man Repair Manual eBook Subscription Services
 - Man Repair Manual Budget-Friendly Options

6. Navigating Man Repair Manual eBook Formats
 - ePub, PDF, MOBI, and More
 - Man Repair Manual Compatibility with Devices
 - Man Repair Manual Enhanced eBook Features
7. Enhancing Your Reading Experience
 - Adjustable Fonts and Text Sizes of Man Repair Manual
 - Highlighting and Note-Taking Man Repair Manual
 - Interactive Elements Man Repair Manual
8. Staying Engaged with Man Repair Manual
 - Joining Online Reading Communities
 - Participating in Virtual Book Clubs
 - Following Authors and Publishers Man Repair Manual
9. Balancing eBooks and Physical Books Man Repair Manual
 - Benefits of a Digital Library
 - Creating a Diverse Reading Collection Man Repair Manual
10. Overcoming Reading Challenges
 - Dealing with Digital Eye Strain
 - Minimizing Distractions
 - Managing Screen Time
11. Cultivating a Reading Routine Man Repair Manual
 - Setting Reading Goals Man Repair Manual
 - Carving Out Dedicated Reading Time
12. Sourcing Reliable Information of Man Repair Manual
 - Fact-Checking eBook Content of Man Repair Manual
 - Distinguishing Credible Sources
13. Promoting Lifelong Learning
 - Utilizing eBooks for Skill Development
 - Exploring Educational eBooks
14. Embracing eBook Trends
 - Integration of Multimedia Elements

- Interactive and Gamified eBooks

Man Repair Manual Introduction

In this digital age, the convenience of accessing information at our fingertips has become a necessity. Whether its research papers, eBooks, or user manuals, PDF files have become the preferred format for sharing and reading documents. However, the cost associated with purchasing PDF files can sometimes be a barrier for many individuals and organizations. Thankfully, there are numerous websites and platforms that allow users to download free PDF files legally. In this article, we will explore some of the best platforms to download free PDFs. One of the most popular platforms to download free PDF files is Project Gutenberg. This online library offers over 60,000 free eBooks that are in the public domain. From classic literature to historical documents, Project Gutenberg provides a wide range of PDF files that can be downloaded and enjoyed on various devices. The website is user-friendly and allows users to search for specific titles or browse through different categories. Another reliable platform for downloading Man Repair Manual free PDF files is Open Library. With its vast collection of over 1 million eBooks, Open Library has something for every reader. The website offers a seamless experience by providing options to borrow or download PDF files. Users simply need to create a free account to access this treasure trove of knowledge. Open Library also allows users to contribute by uploading and sharing their own PDF files, making it a collaborative platform for book enthusiasts. For those interested in academic resources, there are websites dedicated to providing free PDFs of research papers and scientific articles. One such website is Academia.edu, which allows researchers and scholars to share their work with a global audience. Users can download PDF files of research papers, theses, and dissertations covering a wide range of subjects. Academia.edu also provides a platform for discussions and networking within the academic community. When it comes to downloading Man Repair Manual free PDF files of magazines, brochures, and catalogs, Issuu is a popular choice. This digital publishing platform hosts a vast collection of publications from around the world. Users can search for specific titles or explore various categories and genres. Issuu offers a seamless reading experience with its user-friendly interface and allows users to download PDF files for offline reading. Apart from dedicated platforms, search engines also play a crucial role in finding free PDF files. Google, for instance, has an advanced search feature that allows users to filter results by file type. By specifying the file type as "PDF," users can find websites that offer free PDF downloads on a specific topic. While downloading Man Repair Manual free PDF files is convenient, its important to note that copyright laws must be respected. Always ensure that the PDF files you download are legally available for free. Many authors and publishers voluntarily provide free PDF versions of their work, but its essential to be cautious and verify the authenticity of the source before downloading Man Repair Manual. In conclusion, the internet offers numerous platforms and websites that allow users to download free PDF files legally. Whether its classic literature, research papers, or

magazines, there is something for everyone. The platforms mentioned in this article, such as Project Gutenberg, Open Library, Academia.edu, and Issuu, provide access to a vast collection of PDF files. However, users should always be cautious and verify the legality of the source before downloading Man Repair Manual any PDF files. With these platforms, the world of PDF downloads is just a click away.

FAQs About Man Repair Manual Books

How do I know which eBook platform is the best for me? Finding the best eBook platform depends on your reading preferences and device compatibility. Research different platforms, read user reviews, and explore their features before making a choice. Are free eBooks of good quality? Yes, many reputable platforms offer high-quality free eBooks, including classics and public domain works. However, make sure to verify the source to ensure the eBook credibility. Can I read eBooks without an eReader? Absolutely! Most eBook platforms offer web-based readers or mobile apps that allow you to read eBooks on your computer, tablet, or smartphone. How do I avoid digital eye strain while reading eBooks? To prevent digital eye strain, take regular breaks, adjust the font size and background color, and ensure proper lighting while reading eBooks. What the advantage of interactive eBooks? Interactive eBooks incorporate multimedia elements, quizzes, and activities, enhancing the reader engagement and providing a more immersive learning experience. Man Repair Manual is one of the best book in our library for free trial. We provide copy of Man Repair Manual in digital format, so the resources that you find are reliable. There are also many Ebooks of related with Man Repair Manual. Where to download Man Repair Manual online for free? Are you looking for Man Repair Manual PDF? This is definitely going to save you time and cash in something you should think about.

Find Man Repair Manual :

man m90 manual

~~mama might be better off dead~~

~~malazi advance craft certificate results~~

malvino electronic principles instructors manual

[makita bfs440 screwdriver power tools owners manual](#)

~~management accounting atkinson solutions ch 7 6e~~

makerere university undergraduate private admissions 2015 2016

management term paper topics

management 8th edition by robbins and coulter

making practice fun 54 answers

making a partner an erotic romance english edition

making the yield real estate hard money lending uncovered

management information systems 6th edition by effy oz

malaguti madison 400 factory service repair manual

makerere list of names 2016

Man Repair Manual :

introduction to the profession of counseling 5th edition - Feb 25 2022

web thorough and research based the world of the counselor 5th edition pdf presents the key concepts and material about the counseling profession with insight and clarity

introduction to the profession of counseling 5th edition open - May 11 2023

web mar 15 2008 introduction to the profession of counseling by frank a nugent karyn dayle jones march 15 2008 prentice hall edition paperback in english 5 edition

the world of the counselor an introduction to the counseling - Dec 26 2021

web the fifth edition of segal gerdes and steiner s an introduction to the profession of social work provides a balanced introduction to the social work

introduction to the profession of counseling 5th - Nov 05 2022

web mar 15 2008 introduction to the profession of counseling 5th edition by karyn dayle jones isbn 13 9780135144305

introduction to the counseling profession 5th edition capuzzi - Apr 10 2023

web capuzzi gross introduction to the counseling profession 5e 0205591779 this introductory text provides an excellent overview of the history and foundational

the world of the counselor 5th edition 9780357671085 - Dec 06 2022

web access until 1 september 2024 81 99 buy paperback the world of the counselor isbn 9780357671085 131 95 the world of the counselor

introduction to the profession of counseling 5th edition - Sep 03 2022

web jan 4 2020 coupon rent introduction to the profession of counseling 5th edition 9780135144305 and save up to 80 on textbook rentals and 90 on used textbooks

pdf introduction to the counseling profession 5th edition - Jan 27 2022

web aug 1 2023 thorough and research based the world of the counselor 5th edition pdf presents the key concepts and material about the counseling profession with

introduction to the counseling profession 5th edition - Aug 14 2023

web mar 9 2008 capuzzi gross introduction to the counseling profession 5e 0205591779 this introductory text provides an excellent overview of the history and

introduction to the counseling profession 5th edition open - Mar 09 2023

web mar 17 2008 introduction to the counseling profession by david capuzzi march 17 2008 allyn bacon edition paperback in english 5 edition

introduction to the profession of counseling 5th edition chegg - Aug 02 2022

web sep 7 2015 the world of the counselor an introduction to the counseling profession 5th edition brooks cole pacific grove ca supplemental articles will be placed

introduction to the profession of counseling 5th edition 2023 - Oct 24 2021

the world of the counselor an introduction to the counseling - Nov 24 2021

introduction to the counseling profession google books - Apr 29 2022

web summary this book presents a comprehensive introduction to professional counseling a profession that helps individuals groups and families work through troubles arising

introduction to the profession of counseling 5th edition - Oct 04 2022

web mar 21 2008 find the best prices on introduction to the profession of counseling 5th edition by karyn dayle jones at biblio hardcover 2008 prentice hall

introduction to the profession of counseling worldcat org - Mar 29 2022

web the fifth edition has been organized into three sections 1 an overview of counseling and the counseling process 2 multicultural counseling and counseling theories and 3

the world of the counselor an introduction to the - May 31 2022

web get this from a library introduction to the profession of counseling frank a nugent karyn dayle jones introducing the field of counseling in a complex multicultural

introduction to the profession of counseling open library - Jul 13 2023

web dec 27 2022 introduction to the profession of counseling by frank a nugent karyn dayle jones 2009 merrill pearson

edition in english 5th ed

the world of the counselor an introduction to the - Jan 07 2023

web neukrug s comprehensive introductory text gives students an unparalleled look into the practicalities of the counseling profession by providing a broad overview of the field

isbn 9780135144305 introduction to the profession of - Feb 08 2023

web find 9780135144305 introduction to the profession of counseling 5th edition by jones et al at over 30 bookstores

introduction to the profession of counseling 5th

coun 501 introduction to the counseling - Jul 01 2022

web introduction to the counseling profession google books the eighth edition of introduction to the counseling profession gathers leading scholarship and insight

a counseling primer an introduction to the profession apa - Jun 12 2023

web this book presents an introduction to the counseling profession that provides students with a foundation for success by covering the core cacrep standard of professional

marcy mathworks worksheets k12 workbook - Feb 26 2022

web displaying all worksheets related to marcy mathworks worksheets are marcy mathworks punchline algebra vocabulary answers punchline algebra book b answer key marcy mathworks 11 10 why pid the orchestra aw r rating work pizzaz bridge to algebra 2 homework surface area of prisms pyramids name for punchline algebra

punchline problem solving marcy mathworks - Jun 13 2023

web math teachers struggle to help students build problem solving power students need a meaningful understanding of basic concepts concepts like multiplication division decimal fraction variable probability area volume variable equation percent ratio and

editing punchline algebra book a answer key online pdfiller - Jan 28 2022

web how to fill out punchline algebra book a 01 start by reading the instructions provided in the book carefully 02 begin with the first chapter and work through each section systematically 03 make sure to complete all the practice problems and exercises provided in each chapter 04

store 1 marcy mathworks - Dec 07 2022

web punchline algebra book b 192 pages 24 95 add to cart punchline algebra books a and b set 46 95 add to cart punchline bridge to algebra 240 pages 29 95 add to cart punchline problem solving 160 pages 24 95 add to cart mathimagination 309 pages 29 95 add to cart

marcy mathworks - Jul 14 2023

web punchline algebra punchline bridge to algebra punchline problem solving middle school math with pizzazz mathimagination addition and subtraction with a happy ending marcy mathworks now offers its best selling enrichment books as digital downloads including all the titles below all selling at about half the price of the original binder [marcy mathworks worksheets kiddy math](#) - Nov 06 2022

web marcy mathworks displaying top 8 worksheets found for this concept some of the worksheets for this concept are marcy mathworks punchline algebra vocabulary answers punchline algebra book b answer key marcy mathworks 11 10 why pid the orchestra aw r rating work pizzaz bridge to algebra 2 homework surface area of prisms pyramids [punchline algebra marcy mathworks](#) - Aug 15 2023

web punchline algebra books a and b sample puzzles algebra students need to master a mind boggling array of procedural skills in addition they need to deepen their understanding of underlying concepts punchline algebra provides carefully structured exercise sets to build mastery of both procedures and concepts

middle school math with pizzazz marcy mathworks - May 12 2023

web here are the topics covered in each book book a basic facts place value and numeration operations with whole numbers book b problem solving strategies decimal numeration operations with decimals problem solving with a calculator **worksheets pdf scribd** - Aug 03 2022

web linear equations and their graphs graphing a line given its equation 7 14 raisins oz punchline algebra book a 2006 marcy mathworks why was the classical music channel rated r paracas ey mu rere freee ces eee eae in exercises 1 7 write the equation in slope intercept form

punchline practice for algebra book b weebly - Sep 04 2022

web punchline algebra book b 2006 marcy mathworks o $x^2 + 12xy + 27y^2$ $x^2 + 13xy + 40y^2$ o $36y^2$ factoring polynomials factoring trinomials of the form $x^2 + bx + c$ where c is positive 13 3 it better to [punchline practice for algebra book b](#) author kimberly barnett

punchline algebra book b 192 pages marcy mathworks - Jan 08 2023

web punchline algebra book b 192 pages 24 95 after ordering you ll receive an email with a secure link for downloading this link will be active for 24 hours you ll receive a folder that contains a pdf file for each page as well as another pdf file with all the pages combined for easier browsing

pba sample puzzle 2 marcy mathworks - Feb 09 2023

web punchline algebra punchline bridge to algebra punchline problem solving middle school math with pizzazz mathimagination addition and subtraction with a happy ending contact ordering order online purchase orders 0 0 open menu close

2006 marcy mathworks answer key bing just pdf - Mar 30 2022

web shipanywhere net pdf punchline algebra book b answer key 17 501 challenging logic and reasoning problems 2nd edition use the answer key at the end of the book not only to find out if you got the right answer but 14 4 b punchline algebra book b marcy mathworks

punchline bridge to algebra 2001 marcy mathworks lesson - Oct 05 2022

web marcy mathworks punchline bridge to algebra answers 2 algebra a marcy mathworks answers 3 marcy mathworks punchline algebra answer key 4 marcy mathworks punchline bridge algebra answer key 5 marcy mathworks punchline bridge to algebra answers 6 punchline bridge to algebra 2001 marcy mathworks answers 7
bridge to algebra 2001 2002 marcy mathworks answers - Dec 27 2021

web may 11 2022 where can you find the answers to the punchline bridge to algebra marcy mathworks scientific notation see sources and related links below what are the answers to marcy mathworks

marcy mathworks worksheets learny kids - Jul 02 2022

web marcy mathworks displaying top 8 worksheets found for marcy mathworks some of the worksheets for this concept are marcy mathworks punchline algebra vocabulary answers punchline algebra book b answer key marcy mathworks 11 10 why did the orchestra aw r rating work pizzaz bridge to algebra 2 homework surface area of prisms pyramids

punchline bridge to algebra 2001 marcy mathworks k12 - Apr 30 2022

web showing 8 worksheets for punchline bridge to algebra 2001 marcy mathworks worksheets are marcy mathworks punchline bridge to algebra answers algebra

pa sample puzzles marcy mathworks - Apr 11 2023

web tools for algebra distributive property 2 rational numbers and expressions simplifying and evaluating expressions 3 equations and problems solving two step equations 4 solving word problems solving problems involving two or three unknowns 5 rates proportion and percent solving problems using proportions 6 introduction to graphs

punchline bridge to algebra 2001 marcy mathworks learny kids - Jun 01 2022

web displaying top 8 worksheets found for punchline bridge to algebra 2001 marcy mathworks some of the worksheets for this concept are marcy mathworks punchline bridge to algebra answers algebra a marcy mathworks answers marcy mathworks punchline algebra answer key marcy mathworks punchline bridge algebra answer

msm sample puzzles marcy mathworks - Mar 10 2023

web book a sample puzzles by section 1 basic facts review basic facts 2 place value and numeration rounding nearest 10 100 1 000 or 10 000 3 addition and subtraction of whole numbers

100 poems to bestill your young heart goodreads - Jul 16 2023

web 100 poems to bestill your young heart book read reviews from world s largest community for readers i know what you re doing you re deciding if you wan

[100 poems to bestill your young heart](#) - Jun 03 2022

web all we manage to pay for 100 poems to bestill your young heart and numerous book collections from fictions to scientific research in any way in the middle of them is this 100 poems to bestill your young heart that can be your partner the new world park benjamin 1843 america 1924 the jesuit review of faith and culture nov 13 2017

[100 poems to bestill your young heart paperback amazon com](#) - Oct 19 2023

web jan 27 2012 100 poems to bestill your young heart woods kenneth on amazon com free shipping on qualifying offers
100 poems to bestill your young heart

[100 poems to bestill your young heart pdf roycewells](#) - Jul 04 2022

web 100 poems to bestill your young heart kenneth woods 2012 01 27 youre deciding if you want to read 100 poems to bestill your young heart you do its funny heartfelt quick and dirty its everything you never knew you wanted poetry to be please read it and this will all make sense

[100 poems to break your heart edward hirsch](#) - Aug 05 2022

web 100 of the most moving and inspiring poems of the last 200 years from around the world a collection that will comfort and enthrall anyone trapped by grief or loneliness selected by edward hirsch the award winning best selling and beloved author of how to read a

amazon com customer reviews 100 poems to bestill your young heart - Jan 10 2023

web find helpful customer reviews and review ratings for 100 poems to bestill your young heart at amazon com read honest and unbiased product reviews from our users

[100 poems to bestill your young heart pdf uniport edu](#) - Apr 01 2022

web jul 12 2023 100 poems to bestill your young heart 1 3 downloaded from uniport edu ng on july 12 2023 by guest 100 poems to bestill your young heart right here we have countless book 100 poems to bestill your young heart and collections to check out we additionally have the funds for variant types and after that type of the books to browse the

[100 poems to bestill your young heart 2022 etherpad arts ac](#) - Aug 17 2023

web 100 poems to bestill your young heart the prose and poetry of europe and america consisting of literary gems and curiosities and containing the choice and beautiful productions of many of the most popular writers of the past and present age children s literature katherine mansfield ultimate collection 100 short stories poems in

100 poems to bestill your young heart copy - Oct 07 2022

web let jesus dwell in your heart as you experience your gift of life be still the dawn also invites you to be still and to know

yourself and others more deeply

25 beautiful short poems that will tug at your heart strings hack - Nov 08 2022

web dec 15 2021 but writing a short poem is easier said than done there is no time for long winded explanations the words must be concise a short poem needs meticulous thinking and careful word selection a short poem is a stylistic choice if you want to make your point straight and clear here are 25 of the best known short poems that get to the heart quickly

70 poems about sisters love that make you cry momjunction - May 02 2022

web nov 10 2023 for you to see that we are to be fitted together benefiting from one another to make a unique duo through a life long period of time love anonymous 62 god gave me you sister god brought us together as sisters so we can share all our hopes and dreams to share our laughter and our tears

100 poems to bestill your young heart pdf helpdesk bricksave - Dec 09 2022

web 100 poems to bestill your young heart the annotated shakespeare the histories sonnets and other poems the poets and poetry of scotland from the earliest to the present time

100 poems to bestill your young heart pdf - Feb 28 2022

web a concordance to the poems of robert browning 100 poems to bestill your young heart kenneth woods 2012 01 27 youre deciding if you want to read 100 poems to bestill your young heart you do its funny heartfelt quick and dirty its everything you never knew you wanted poetry to be please read it and this will all make sense puck

100 poems to bestill your young heart kindle edition - Jun 15 2023

web jan 31 2012 amazon com 100 poems to bestill your young heart ebook woods kenneth books hello select your address kindle store select the department you want to search in search en hello sign in account lists returns orders cart all disability customer support

100 poems to bestill your young heart paperback 27 jan 2012 - May 14 2023

web buy 100 poems to bestill your young heart by woods kenneth isbn 9781432786311 from amazon s book store everyday low prices and free delivery on eligible orders

100 poems to bestill your young heart goodreads - Sep 18 2023

web you re deciding if you want to read 100 poems to bestill your young heart you do it s funny heartfelt quick and dirty it s everything you never knew you wanted poetry to be please read it and this will all make sense

10 of the best poems about the heart interesting literature - Feb 11 2023

web jan 10 2018 whether they re discussing desire or being broken hearted by loss or unrequited love or the boundless joy they feel in their hearts when encountering the wonders of the natural world here are ten of the best poems featuring hearts sir philip sidney my true love hath my heart and i have his

100 poems to bestill your young heart download only - Sep 06 2022

web be still the dawn 100 poems to bestill your young heartyoure deciding if you want to read 100 poems to bestill your young heart you do its funny heartfelt quick and dirty its everything you never knew you wanted poetry to be please read it and this will all make sense french classics boxed set 100 novels short stories poems plays

100 poems to bestill your young heart 2023 waptac - Mar 12 2023

web 100 poems to bestill your young heart 100 poems to bestill your young heart 4 downloaded from waptac org on 2022 03 02 by guest the invisible man the beetle the turn of the screw dracula the necromancers the house on the borderland the phantom of the opera wolverden tower i look to the mourning sky liz newman

100 poems to bestill your young heart old syndeohro - Apr 13 2023

web 100 poems to bestill your young heart english women s poetry 1649 1714 the poems select songs for children by i watts the rev mr foxton and other eminent divines tenth edition enlarged the annotated shakespeare