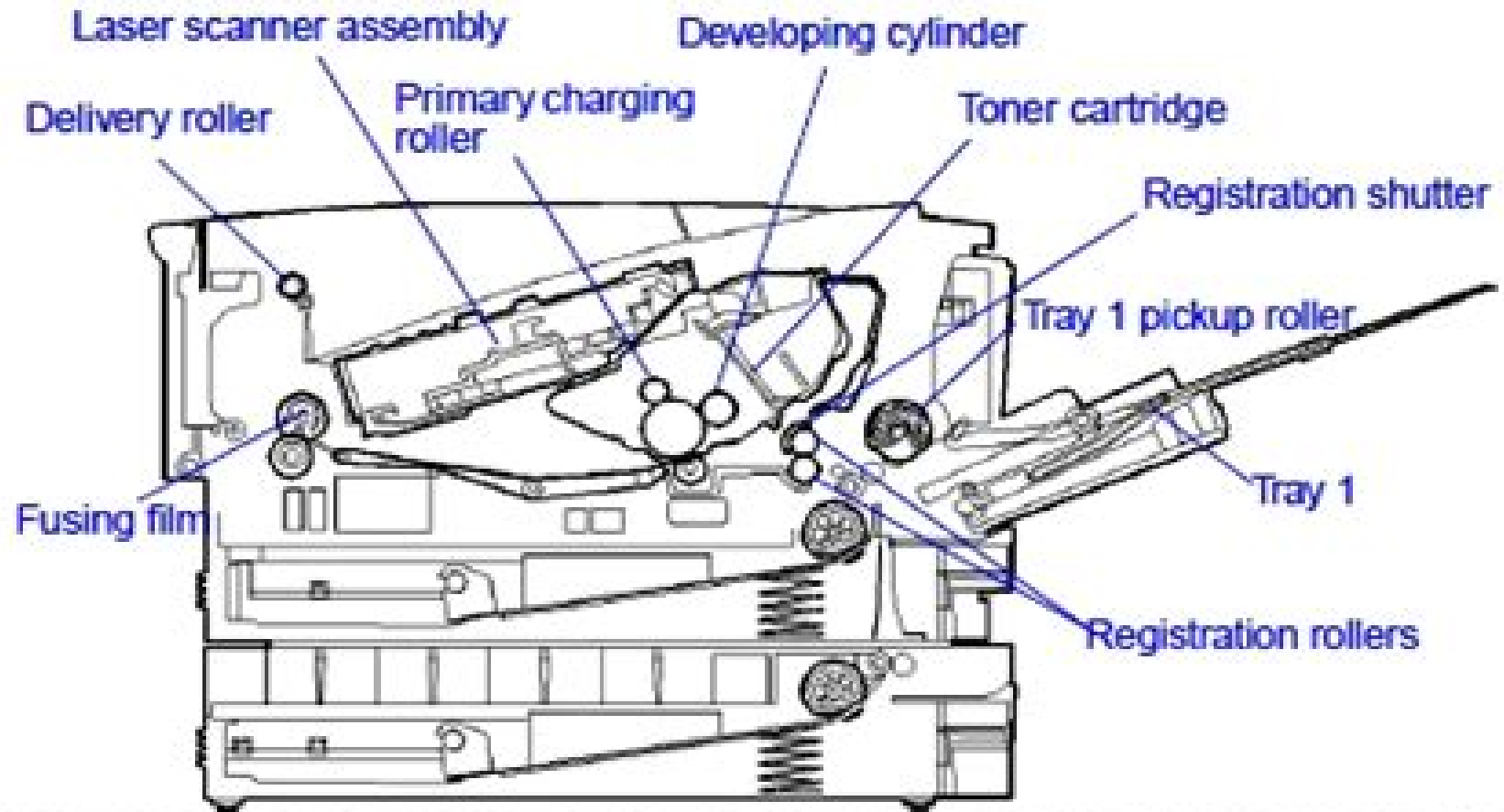


Internal Assembly Locations

Figure 1-6 Internal Assembly Locations (1 of 2)



Preview: HP LaserJet 2100 service manual

[Download Now!](#)

Hp Laserjet 2100 Printer Service Manual

Xiaolong Qi



Hp Laserjet 2100 Printer Service Manual:

Eventually, you will categorically discover a additional experience and success by spending more cash. yet when? complete you receive that you require to acquire those all needs later having significantly cash? Why dont you attempt to get something basic in the beginning? Thats something that will lead you to comprehend even more almost the globe, experience, some places, past history, amusement, and a lot more?

It is your definitely own grow old to law reviewing habit. along with guides you could enjoy now is **Hp Laserjet 2100 Printer Service Manual** below.

https://staging.conocer.cide.edu/public/browse/Documents/mechanical_technology_grade_1november_2014.pdf

Table of Contents Hp Laserjet 2100 Printer Service Manual

1. Understanding the eBook Hp Laserjet 2100 Printer Service Manual
 - The Rise of Digital Reading Hp Laserjet 2100 Printer Service Manual
 - Advantages of eBooks Over Traditional Books
2. Identifying Hp Laserjet 2100 Printer Service Manual
 - Exploring Different Genres
 - Considering Fiction vs. Non-Fiction
 - Determining Your Reading Goals
3. Choosing the Right eBook Platform
 - Popular eBook Platforms
 - Features to Look for in an Hp Laserjet 2100 Printer Service Manual
 - User-Friendly Interface
4. Exploring eBook Recommendations from Hp Laserjet 2100 Printer Service Manual
 - Personalized Recommendations
 - Hp Laserjet 2100 Printer Service Manual User Reviews and Ratings
 - Hp Laserjet 2100 Printer Service Manual and Bestseller Lists
5. Accessing Hp Laserjet 2100 Printer Service Manual Free and Paid eBooks

- Hp Laserjet 2100 Printer Service Manual Public Domain eBooks
 - Hp Laserjet 2100 Printer Service Manual eBook Subscription Services
 - Hp Laserjet 2100 Printer Service Manual Budget-Friendly Options
6. Navigating Hp Laserjet 2100 Printer Service Manual eBook Formats
- ePub, PDF, MOBI, and More
 - Hp Laserjet 2100 Printer Service Manual Compatibility with Devices
 - Hp Laserjet 2100 Printer Service Manual Enhanced eBook Features
7. Enhancing Your Reading Experience
- Adjustable Fonts and Text Sizes of Hp Laserjet 2100 Printer Service Manual
 - Highlighting and Note-Taking Hp Laserjet 2100 Printer Service Manual
 - Interactive Elements Hp Laserjet 2100 Printer Service Manual
8. Staying Engaged with Hp Laserjet 2100 Printer Service Manual
- Joining Online Reading Communities
 - Participating in Virtual Book Clubs
 - Following Authors and Publishers Hp Laserjet 2100 Printer Service Manual
9. Balancing eBooks and Physical Books Hp Laserjet 2100 Printer Service Manual
- Benefits of a Digital Library
 - Creating a Diverse Reading Collection Hp Laserjet 2100 Printer Service Manual
10. Overcoming Reading Challenges
- Dealing with Digital Eye Strain
 - Minimizing Distractions
 - Managing Screen Time
11. Cultivating a Reading Routine Hp Laserjet 2100 Printer Service Manual
- Setting Reading Goals Hp Laserjet 2100 Printer Service Manual
 - Carving Out Dedicated Reading Time
12. Sourcing Reliable Information of Hp Laserjet 2100 Printer Service Manual
- Fact-Checking eBook Content of Hp Laserjet 2100 Printer Service Manual
 - Distinguishing Credible Sources
13. Promoting Lifelong Learning
- Utilizing eBooks for Skill Development

- Exploring Educational eBooks
14. Embracing eBook Trends
- Integration of Multimedia Elements
 - Interactive and Gamified eBooks

Hp Laserjet 2100 Printer Service Manual Introduction

Hp Laserjet 2100 Printer Service Manual Offers over 60,000 free eBooks, including many classics that are in the public domain. Open Library: Provides access to over 1 million free eBooks, including classic literature and contemporary works. Hp Laserjet 2100 Printer Service Manual Offers a vast collection of books, some of which are available for free as PDF downloads, particularly older books in the public domain. Hp Laserjet 2100 Printer Service Manual : This website hosts a vast collection of scientific articles, books, and textbooks. While it operates in a legal gray area due to copyright issues, its a popular resource for finding various publications. Internet Archive for Hp Laserjet 2100 Printer Service Manual : Has an extensive collection of digital content, including books, articles, videos, and more. It has a massive library of free downloadable books. Free-eBooks Hp Laserjet 2100 Printer Service Manual Offers a diverse range of free eBooks across various genres. Hp Laserjet 2100 Printer Service Manual Focuses mainly on educational books, textbooks, and business books. It offers free PDF downloads for educational purposes. Hp Laserjet 2100 Printer Service Manual Provides a large selection of free eBooks in different genres, which are available for download in various formats, including PDF. Finding specific Hp Laserjet 2100 Printer Service Manual, especially related to Hp Laserjet 2100 Printer Service Manual, might be challenging as theyre often artistic creations rather than practical blueprints. However, you can explore the following steps to search for or create your own Online Searches: Look for websites, forums, or blogs dedicated to Hp Laserjet 2100 Printer Service Manual, Sometimes enthusiasts share their designs or concepts in PDF format. Books and Magazines Some Hp Laserjet 2100 Printer Service Manual books or magazines might include. Look for these in online stores or libraries. Remember that while Hp Laserjet 2100 Printer Service Manual, sharing copyrighted material without permission is not legal. Always ensure youre either creating your own or obtaining them from legitimate sources that allow sharing and downloading. Library Check if your local library offers eBook lending services. Many libraries have digital catalogs where you can borrow Hp Laserjet 2100 Printer Service Manual eBooks for free, including popular titles. Online Retailers: Websites like Amazon, Google Books, or Apple Books often sell eBooks. Sometimes, authors or publishers offer promotions or free periods for certain books. Authors Website Occasionally, authors provide excerpts or short stories for free on their websites. While this might not be the Hp Laserjet 2100 Printer Service Manual full book , it can give you a taste of the authors writing style. Subscription Services Platforms like Kindle Unlimited or Scribd offer subscription-based access to a wide range of Hp

Laserjet 2100 Printer Service Manual eBooks, including some popular titles.

FAQs About Hp Laserjet 2100 Printer Service Manual Books

1. Where can I buy Hp Laserjet 2100 Printer Service Manual books? Bookstores: Physical bookstores like Barnes & Noble, Waterstones, and independent local stores. Online Retailers: Amazon, Book Depository, and various online bookstores offer a wide range of books in physical and digital formats.
2. What are the different book formats available? Hardcover: Sturdy and durable, usually more expensive. Paperback: Cheaper, lighter, and more portable than hardcovers. E-books: Digital books available for e-readers like Kindle or software like Apple Books, Kindle, and Google Play Books.
3. How do I choose a Hp Laserjet 2100 Printer Service Manual book to read? Genres: Consider the genre you enjoy (fiction, non-fiction, mystery, sci-fi, etc.). Recommendations: Ask friends, join book clubs, or explore online reviews and recommendations. Author: If you like a particular author, you might enjoy more of their work.
4. How do I take care of Hp Laserjet 2100 Printer Service Manual books? Storage: Keep them away from direct sunlight and in a dry environment. Handling: Avoid folding pages, use bookmarks, and handle them with clean hands. Cleaning: Gently dust the covers and pages occasionally.
5. Can I borrow books without buying them? Public Libraries: Local libraries offer a wide range of books for borrowing. Book Swaps: Community book exchanges or online platforms where people exchange books.
6. How can I track my reading progress or manage my book collection? Book Tracking Apps: Goodreads, LibraryThing, and Book Catalogue are popular apps for tracking your reading progress and managing book collections. Spreadsheets: You can create your own spreadsheet to track books read, ratings, and other details.
7. What are Hp Laserjet 2100 Printer Service Manual audiobooks, and where can I find them? Audiobooks: Audio recordings of books, perfect for listening while commuting or multitasking. Platforms: Audible, LibriVox, and Google Play Books offer a wide selection of audiobooks.
8. How do I support authors or the book industry? Buy Books: Purchase books from authors or independent bookstores. Reviews: Leave reviews on platforms like Goodreads or Amazon. Promotion: Share your favorite books on social media or recommend them to friends.
9. Are there book clubs or reading communities I can join? Local Clubs: Check for local book clubs in libraries or community centers. Online Communities: Platforms like Goodreads have virtual book clubs and discussion groups.

10. Can I read Hp Laserjet 2100 Printer Service Manual books for free? Public Domain Books: Many classic books are available for free as they're in the public domain. Free E-books: Some websites offer free e-books legally, like Project Gutenberg or Open Library.

Find Hp Laserjet 2100 Printer Service Manual :

~~mechanical technology grade 1 november 2014~~

mechanical drawing and design n6 question papers

mcgrawhill financial accounting 6 edition exercise answers

mechanics of materials 8th edition

meacutemofiches anatomie netter tronc

meatball recipe with pork

mcm 170 engine manual

measuring segments and angles gradpoint answers

mechanic study guide

me cheeta the autobiography

mechanics of materials beer solution manual 2nd edition

measuring up grade 6 lesson24 answers

mcintosh mcc301m car amplifiers owners manual

meacutemoires de louise michel

mcintosh mc2105 owners manual

Hp Laserjet 2100 Printer Service Manual :

sem 2 mechanical drafting 4321902 3321901 321901 gtu - Mar 10 2023

web full gtu syllabus of mechanical drafting subject is covered in simple gujarati language the most important aspects are discussed in brief this will be help

gujarat technological university gtu diploma - Oct 05 2022

web gujarat technological university gtu diploma mechanical engineering elective i group 1 manufacturing engineering 3351906 self employment and entrepreneurship

mechanical drafting 4321902 study material paperonboard in - Mar 30 2022

web mechanical drafting summer 2022 paper solution 4321902 uploaded by mohit download mechanical drafting a 4321902 uploaded by sherasiya mohamad sadikun abdul

mechanical engineering course plan - Feb 26 2022

web mechanical engineering course plan student s catalog term between 2017 2018 fall semester and 2021 2022 fall semester 1 semester

gtu paper solution 2020 imp questions mechanical drafting - Apr 11 2023

web sep 5 2022 fast revision of mechanical drafting subject join my telegram channel t me sonigratech whatsapp group for first year

mechanical drafting gtu paper solution winter 2022 in gujarati - Jul 02 2022

web mechanical drafting gtu paper solution winter 2022 in gujarati youtube 3321901 mechanical drafting lecture series

uçak mühendisliği bölümü lisans programı derslerini veren - Dec 07 2022

web case western reserve univ mechanical and aerospace engineering dr Öğr Üyesi ali eken İstanbul teknik Üniversitesi uçak mühendisliği 262 605 10 00 faks 262

course title mechanical drawing and drafting - Jul 14 2023

web a mechanical drawing and drafting is to clearly and accurately capture all geometric features of a product or component so that a manufacturer or engineer can produce the

mechanical drafting gtu exam paper solution w22 09 03 23 - Nov 06 2022

web aug 4 2023 solution of question paper is discussed step by step in english and gujarati language the most imp questions for mechanical drafting subject is explained

gtu diploma mechanical gtupaper in - Nov 25 2021

web gtu diploma engineering 19 diploma in mechanical gtu gtu papers de diploma engineering gtu diploma exam diploma past papers gtu diploma

gebze teknik Üniversitesi gtu - May 12 2023

web gtÜ santral 605 10 00 10 hat telefon rehberi ile ilgili düzeltme isteklerinizi santral gtu edu tr adresine e posta yoluyla gönderiniz dahili santral kullanım kılavuzu

İtÜ faculty of mechanical engineering makina fakültesi - Jun 01 2022

web itu faculty of mechanical engineering performs research and education in the design development and production planning of all types of mechanical and energy

gujarat technological university gtu course title - Aug 15 2023

web the students of mechanical engineering programme are mainly involved in drafting manufacturing inspection and

planning activities such as preparing process plans

mechanical drafter jobs in toronto on glassdoor - Jan 28 2022

web people who searched for mechanical drafter jobs in toronto also searched for mechanical draftsman autocad drafter

electrical drafter cad designer cad drafter mechanical

mechanical drafting 3321901 vpmp polytechnic - Feb 09 2023

web mechanical drafting 4321902 teaching scheme sem 2 applied mathematics old 4320001 applied mechanics old 3300008

mechanical drafting 3321901 sem

gtu diploma mechanical sem 2 gtupaper in - Dec 27 2021

web gtu diploma engineering 19 diploma in mechanical sem 2 gtu gtu papers de diploma engineering gtu diploma exam

diploma past papers gtu diploma

gujarat technological university ahmedabad - Jan 08 2023

web course title mechanical drafting code 3321901 diploma programmes in which this course is offered semester in which

offered mechanical engineering mechatronics

gtu b e mechanical sem 4 2141907 machine design - Aug 03 2022

web select your subject and the page shows all the past exam papers and to download gtu b e mechanical sem 4 2141907

machine design industrial drafting gtupaper in

mechanical drafting c321901 studocu - Apr 30 2022

web studying mechanical drafting c321901 at gujarat technological university on studocu you will find practical tutorial work

and much more for mechanical drafting

gtu diploma mechanical sem 2 c321901 - Sep 04 2022

web you are here to download gtu diploma mechanical sem 2 c321901 mechanical drafting gtupaper in past exam papers

welcome to gtupaper in the site that provide all

course title mechanical drafting code 3321901 h b patel - Jun 13 2023

web the students of mechanical engineering programme are mainly involved in drafting manufacturing inspection and

planning activities such as preparing process plan

four row cylindrical roller bearings skf - Dec 16 2021

web skf four row cylindrical roller bearings are available in several designs with a cylindrical or tapered bore open or sealed

four row cylindrical roller bearings are used almost

four row tapered roller bearings skf - Jan 17 2022

web rolling bearings principles of rolling bearing selection general bearing knowledge bearing basics tolerances

tapered roller bearings features benefits applications skf - Mar 19 2022

web double row tapered roller bearings are typically used in gearboxes hoisting equipment rolling mills and machines in the mining industry four row tapered roller bearings are

[designation system skf](#) - Feb 15 2022

web single row tapered roller bearings matched tapered roller bearings double row tapered roller bearings four row tapered roller bearings spherical roller bearings

[roller bearings brg catalogues com home](#) - Jan 29 2023

web roller bearings brg catalogues com home

double row full complement cylindrical roller bearings skf - Oct 26 2022

web high load carrying capacity bearings without a cage incorporate a maximum number of rollers therefore and because of their second row of rollers double row full

skf - Feb 27 2023

web skf

[6200 2rs1tn9 hc5c3wt deep groove ball bearings skf](#) - Sep 24 2022

web hybrid single row deep groove ball bearings with low friction seals on both sides have rings made of bearing steel and rolling elements made of bearing grade silicon nitride

four row tapered roller bearings skf - Nov 14 2021

web skf uses cookies on our web site to align the information shown as closely as possible to the visitors preferences and to tailor our web site user experience in general see

[bt2b 334045 ha3 tapered roller bearings skf skf usa](#) - Nov 26 2022

web bt2b 334045 ha3double row tapered roller bearing tdi design skf double row tapered roller bearings are ready to mount units manufactured with a predetermined

four row tapered roller bearings skf - Sep 05 2023

web four row tapered roller bearings four row tapered roller bearings can accommodate combined radial and axial loads at low to moderate speeds they are used almost

[skf](#) - Apr 19 2022

web matched tapered roller bearings double row tapered roller bearings four row tapered roller bearings spherical roller bearings skf cooper split roller bearings

designs and variants skf - Jul 03 2023

web skf manufactures four row tapered roller bearings in the tqo and tqi designs in the following variants tqo design

bearings face to face arrangement fig 1 open or
four row tapered roller bearings skf - Oct 06 2023

web four row tapered roller bearings four row tapered roller bearings can accommodate combined radial and axial loads at low to moderate speeds they are used almost

super precision angular contact ball bearings skf skf usa - Jun 21 2022

web 7209 acd hcp4aqbtamatched set of four super precision high capacity d design single row angular contact ball bearings these sets of four matched super precision angular

skf - May 21 2022

web tapered roller bearings single row tapered roller bearings matched tapered roller bearings double row tapered roller bearings four row tapered roller bearings

tapered roller bearings skf - Mar 31 2023

web 4 basic features a tapered roller bearing trb consists of a cone assembly with rollers and cage and cup that are separable shown in figure 1 are the components that make

mounting skf - Oct 14 2021

web skf supplies detailed mounting instructions with each bearing mounting and maintenance instructions especially for roll necks can also be found in skf brochure mounting and

single row tapered roller bearings skf - Dec 28 2022

web skf single row tapered roller bearings are designed to accommodate combined loads i e simultaneously acting radial and axial loads the projection lines of the raceways meet at

skf explorer four row tapered roller bearings - Aug 04 2023

web the skf explorer design of four row tapered roller bearings without spacer rings provides the following customer benefits higher load carrying capacity longer service

330758 bg tapered roller bearings skf - Jun 02 2023

web four row tapered roller bearings can accommodate combined heavy radial and axial loads at low to moderate speeds they are used almost exclusively in work roll

skf explorer four row tapered roller bearings for work rolls - May 01 2023

web sealed skf explorer four row tapered roller bearings help protect the bearing s running surfaces by reducing contaminant ingress as a result lubrication effectiveness is

6404 deep groove ball bearings skf - Jul 23 2022

web 6404deep groove ball bearing single row deep groove ball bearings are particularly versatile have low friction and are

optimized for low noise and low vibration which

a 4059 a 4138 tapered roller bearings skf skf usa - Aug 24 2022

web single row tapered roller bearings consent to cookies data processing we and our partners are using technologies like cookies and process personal data like the ip

nelson mathematics 4 free download borrow and streaming - Jun 17 2022

grade 4 student book math for use in grade 4 includes index evaluation copy cover

my math path workbook grade 4 9780176950040 nelson - Aug 20 2022

sep 15 2022 588 05 grams bring the practice from my math path 1 8 to your ontario classrooms with convenient ready made student workbooks each book has over 150 pages of practice to keep your students engaged throughout the year

my math path nelson - Mar 15 2022

bring the proven methodology of singapore math to canada s classrooms javascript must be enabled to view school nelson com explore our resources keyboard arrow down

[nelson grade 4 workbook answers toolsforscholars com](#) - Jan 25 2023

nelson grade 4 workbook answers nelson grade 4 workbook answers workbook answers workbook answers chapter 1

patterns in mathematics chapter 2 numeration chapter 3 data management chapter 4 addition and subtraction 1 preview

download report copyright abuse files related to nelson grade 4 workbook answers

[resources gr 4 ms tracy behl 4a](#) - Dec 24 2022

resources gr 4 ms tracy behl 4a rubrics gr 4 resources gr 4 resources gr 5 resources grade 4 dice 1 3 game board each player has their own graph player 1 rolls the die and decides to add

nelson mathematics grade 8 isbn 13 unknown archive org - Apr 15 2022

dec 18 2020 english nelson mathematics grade 8 isbn 13 used in schools in canada from the year 2000 onward addeddate

2020 12 18 20 21 50 identifier nelson mathematics grade 8 isbn 13 identifier ark ark 13960 t3hz15w1h

[nelson education elementary mathematics mathematics 7](#) - Mar 27 2023

chapter 1 factors and exponents click on a lesson note exploration lessons do not have corresponding quizzes lesson 1 using multiples lesson 3 factoring lesson 5 powers lesson 6 square roots lesson 7 order of operations lesson 8 solve problems by using power patterns chapter 2 ratio rate and percent click on a lesson

nelson international maths workbook 4 answers issuu - Jul 19 2022

sep 21 2014 1000700060 write each of these numbers using numerals two thousand eight hundred and forty three 2843six thousand and sixty five 6065eight thousand and fifteen 8015seven thousand two hundred

nelson education elementary mathematics mathematics 4 - Feb 23 2023

nelson education school mathematics k 8 mathematics 4 try it out questions and many interesting links to other web sites support for online student activities letters to parents useful annotated web links professional resources and more

nelson education elementary mathematics mathematics 4 - Jun 29 2023

surf for more math help your child surf for more math try it out try it out questions try them out so you can work on them with your child web quest tips for helping your child complete end of chapter web activities workbook answers

nelson education elementary mathematics mathematics 3 - Apr 27 2023

table of contents click on a chapter chapter 1 patterns in mathematics chapter 2 numeration chapter 3 data management chapter 4 addition and subtraction chapter 5 measuring length time and temperature chapter 6 adding subtracting with greater numbers chapter 7 2 d geometry

nelson mathematics 4 student workbook amazon ca - Oct 02 2023

aug 30 2003 nelson mathematics 4 student workbook paperback aug 30 2003 by mary louise kestell author 4 1 19 ratings see all formats and editions features affordable consumable resource for extra practice and problems one page sections aligned to each lesson in nelson mathematics at home help for students and parents

nelson education elementary mathematics mathematics 4 - May 29 2023

workbook answers chapter 1 factors and exponents chapter 2 ratio rate and percent chapter 3 data management chapter 4 patterns and relationships chapter 5 2 d measurement chapter 6 addition and subtraction of integers chapter 7 2 d geometry chapter 8 variables expressions and equations

nelson education elementary mathematics mathematics 4 - Oct 22 2022

nelson education school mathematics k 8 mathematics 4 student centre the world wide web has lots of fun math activities and games check them out

nelson education elementary mathematics mathematics 4 - Jul 31 2023

chapter 2 numeration click on a lesson lesson 1 place value lesson 2 expanded form lesson 3 comparing and ordering numbers lesson 4 exploring 10 000 lesson 5 multiplying by 10 100 1000 lesson 6 rounding to the nearest 10 100 1000 lesson 7 communicate about ordering numbers

nelson elementary mathematics mathematics 5 - May 17 2022

click on a chapter chapter 1 patterns in mathematics chapter 2 numeration chapter 3 data management chapter 4 addition and subtraction chapter 5 measuring length and time chapter 6 multiplication and division chapter 7 2 d geometry chapter 8 area and grids

nelson education elementary mathematics mathematics 4 - Sep 01 2023

workbook answers chapter 1 patterns in mathematics chapter 2 numeration chapter 3 data management chapter 4 addition

and subtraction chapter 5 measuring length and time chapter 6 multiplication and division facts chapter

[amazon ca nelson mathematics 4](#) - Feb 11 2022

may 15 2005 math workbook for grades 4 5 with addition subtraction multiplication division exercises algebra 1 geometry fractions and decimals with answers 4th and 5th grade math practice workbook with 1300 exercises for ages 9 11

grade 4 nelson math textbook answers answers for 2023 exams - Nov 22 2022

grade 4 nelson math workbook answers mylibrary org download grade 4 nelson math workbook answers filename speed downloads grade 4 nelson math workbook answers new 430 kb s 3829 grade 4 nelson math workbook answers most popular 4915 kb s 4432 grade 4 nelson math workbook answers added by users 3659 kb s 8979

[mathematics grade 4 textbook pdf pdfprof com](#) - Sep 20 2022

mathematics grade 4 textbook pdf liste documents multiplication jump math grade 4 workbook pdf nelson math grade 4 workbook pdf nelson math grade 4 workbook answers singapore math grade 4 textbook pdf singapore math grade 4 textbook pdf free download harcourt math grade 4 practice workbook pdf go math grade 4 pdf download free