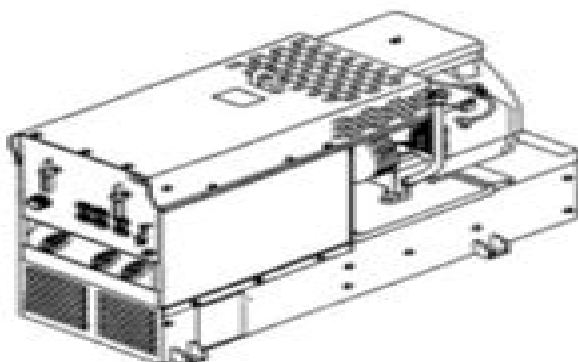




Miller®

November 1993 Form: OM-431F
Effective With Serial No. KC220664

OWNER'S MANUAL



Bobcat™ 225G

- CC/CV AC/DC Welding Generator
- For SMAW, FCW, GMAW, And GTAW Welding
- 225 Amperes, 25 Volts AC/DC (See Specifications)
- Oxarc Performer P216CBL Air Cooled, Gasoline Engine
- 8 kW/10 AC Auxiliary Power
- Automatic Shutdown For Engine Low Oil Pressure



- Read and follow these instructions and all safety blocks carefully.
- Have only trained and qualified persons install, operate, or service this unit.
- Call your distributor if you do not understand the directions.



- Give this manual to the operator.



- For help, call your distributor
- or: MILLER Electric Mfg. Co., P.O. Box 1079,
Appleton, WI 54912 414-734-9621

Miller Bobcat 225 Plus Manual

F Rizvi



Miller Bobcat 225 Plus Manual:

State of Colorado Mobile Equipment Manual ,2005 **Grainger** ,1996 **The Machinist** ,1980 **Constructor** ,1989 Progressive Farmer ,1996 Farmers and Consumers Market Bulletin ,2010 Welding Journal ,2009 Cars & Parts ,1989 The Buzz ,1997 **Thomas Register of American Manufacturers and Thomas Register Catalog File** ,1996 Vols for 1970 71 includes manufacturers catalogs

Recognizing the way ways to acquire this ebook **Miller Bobcat 225 Plus Manual** is additionally useful. You have remained in right site to begin getting this info. acquire the Miller Bobcat 225 Plus Manual colleague that we find the money for here and check out the link.

You could purchase guide Miller Bobcat 225 Plus Manual or acquire it as soon as feasible. You could speedily download this Miller Bobcat 225 Plus Manual after getting deal. So, subsequently you require the books swiftly, you can straight acquire it. Its suitably utterly simple and for that reason fats, isnt it? You have to favor to in this way of being

https://staging.conocer.cide.edu/results/browse/Download_PDFS/Faces_Against_The_Wind_A_Memoir.pdf

Table of Contents Miller Bobcat 225 Plus Manual

1. Understanding the eBook Miller Bobcat 225 Plus Manual
 - The Rise of Digital Reading Miller Bobcat 225 Plus Manual
 - Advantages of eBooks Over Traditional Books
2. Identifying Miller Bobcat 225 Plus Manual
 - Exploring Different Genres
 - Considering Fiction vs. Non-Fiction
 - Determining Your Reading Goals
3. Choosing the Right eBook Platform
 - Popular eBook Platforms
 - Features to Look for in an Miller Bobcat 225 Plus Manual
 - User-Friendly Interface
4. Exploring eBook Recommendations from Miller Bobcat 225 Plus Manual
 - Personalized Recommendations
 - Miller Bobcat 225 Plus Manual User Reviews and Ratings
 - Miller Bobcat 225 Plus Manual and Bestseller Lists
5. Accessing Miller Bobcat 225 Plus Manual Free and Paid eBooks

- Miller Bobcat 225 Plus Manual Public Domain eBooks
 - Miller Bobcat 225 Plus Manual eBook Subscription Services
 - Miller Bobcat 225 Plus Manual Budget-Friendly Options
6. Navigating Miller Bobcat 225 Plus Manual eBook Formats
 - ePub, PDF, MOBI, and More
 - Miller Bobcat 225 Plus Manual Compatibility with Devices
 - Miller Bobcat 225 Plus Manual Enhanced eBook Features
 7. Enhancing Your Reading Experience
 - Adjustable Fonts and Text Sizes of Miller Bobcat 225 Plus Manual
 - Highlighting and Note-Taking Miller Bobcat 225 Plus Manual
 - Interactive Elements Miller Bobcat 225 Plus Manual
 8. Staying Engaged with Miller Bobcat 225 Plus Manual
 - Joining Online Reading Communities
 - Participating in Virtual Book Clubs
 - Following Authors and Publishers Miller Bobcat 225 Plus Manual
 9. Balancing eBooks and Physical Books Miller Bobcat 225 Plus Manual
 - Benefits of a Digital Library
 - Creating a Diverse Reading Collection Miller Bobcat 225 Plus Manual
 10. Overcoming Reading Challenges
 - Dealing with Digital Eye Strain
 - Minimizing Distractions
 - Managing Screen Time
 11. Cultivating a Reading Routine Miller Bobcat 225 Plus Manual
 - Setting Reading Goals Miller Bobcat 225 Plus Manual
 - Carving Out Dedicated Reading Time
 12. Sourcing Reliable Information of Miller Bobcat 225 Plus Manual
 - Fact-Checking eBook Content of Miller Bobcat 225 Plus Manual
 - Distinguishing Credible Sources
 13. Promoting Lifelong Learning
 - Utilizing eBooks for Skill Development

- Exploring Educational eBooks
- 14. Embracing eBook Trends
 - Integration of Multimedia Elements
 - Interactive and Gamified eBooks

Miller Bobcat 225 Plus Manual Introduction

In today's digital age, the availability of Miller Bobcat 225 Plus Manual books and manuals for download has revolutionized the way we access information. Gone are the days of physically flipping through pages and carrying heavy textbooks or manuals. With just a few clicks, we can now access a wealth of knowledge from the comfort of our own homes or on the go. This article will explore the advantages of Miller Bobcat 225 Plus Manual books and manuals for download, along with some popular platforms that offer these resources. One of the significant advantages of Miller Bobcat 225 Plus Manual books and manuals for download is the cost-saving aspect. Traditional books and manuals can be costly, especially if you need to purchase several of them for educational or professional purposes. By accessing Miller Bobcat 225 Plus Manual versions, you eliminate the need to spend money on physical copies. This not only saves you money but also reduces the environmental impact associated with book production and transportation. Furthermore, Miller Bobcat 225 Plus Manual books and manuals for download are incredibly convenient. With just a computer or smartphone and an internet connection, you can access a vast library of resources on any subject imaginable. Whether you're a student looking for textbooks, a professional seeking industry-specific manuals, or someone interested in self-improvement, these digital resources provide an efficient and accessible means of acquiring knowledge. Moreover, PDF books and manuals offer a range of benefits compared to other digital formats. PDF files are designed to retain their formatting regardless of the device used to open them. This ensures that the content appears exactly as intended by the author, with no loss of formatting or missing graphics. Additionally, PDF files can be easily annotated, bookmarked, and searched for specific terms, making them highly practical for studying or referencing. When it comes to accessing Miller Bobcat 225 Plus Manual books and manuals, several platforms offer an extensive collection of resources. One such platform is Project Gutenberg, a nonprofit organization that provides over 60,000 free eBooks. These books are primarily in the public domain, meaning they can be freely distributed and downloaded. Project Gutenberg offers a wide range of classic literature, making it an excellent resource for literature enthusiasts. Another popular platform for Miller Bobcat 225 Plus Manual books and manuals is Open Library. Open Library is an initiative of the Internet Archive, a non-profit organization dedicated to digitizing cultural artifacts and making them accessible to the public. Open Library hosts millions of books, including both public domain works and contemporary titles. It also allows users to borrow digital copies of certain books for a limited period, similar to a library lending system. Additionally, many universities

and educational institutions have their own digital libraries that provide free access to PDF books and manuals. These libraries often offer academic texts, research papers, and technical manuals, making them invaluable resources for students and researchers. Some notable examples include MIT OpenCourseWare, which offers free access to course materials from the Massachusetts Institute of Technology, and the Digital Public Library of America, which provides a vast collection of digitized books and historical documents. In conclusion, Miller Bobcat 225 Plus Manual books and manuals for download have transformed the way we access information. They provide a cost-effective and convenient means of acquiring knowledge, offering the ability to access a vast library of resources at our fingertips. With platforms like Project Gutenberg, Open Library, and various digital libraries offered by educational institutions, we have access to an ever-expanding collection of books and manuals. Whether for educational, professional, or personal purposes, these digital resources serve as valuable tools for continuous learning and self-improvement. So why not take advantage of the vast world of Miller Bobcat 225 Plus Manual books and manuals for download and embark on your journey of knowledge?

FAQs About Miller Bobcat 225 Plus Manual Books

How do I know which eBook platform is the best for me? Finding the best eBook platform depends on your reading preferences and device compatibility. Research different platforms, read user reviews, and explore their features before making a choice. Are free eBooks of good quality? Yes, many reputable platforms offer high-quality free eBooks, including classics and public domain works. However, make sure to verify the source to ensure the eBook credibility. Can I read eBooks without an eReader? Absolutely! Most eBook platforms offer web-based readers or mobile apps that allow you to read eBooks on your computer, tablet, or smartphone. How do I avoid digital eye strain while reading eBooks? To prevent digital eye strain, take regular breaks, adjust the font size and background color, and ensure proper lighting while reading eBooks. What the advantage of interactive eBooks? Interactive eBooks incorporate multimedia elements, quizzes, and activities, enhancing the reader engagement and providing a more immersive learning experience. Miller Bobcat 225 Plus Manual is one of the best book in our library for free trial. We provide copy of Miller Bobcat 225 Plus Manual in digital format, so the resources that you find are reliable. There are also many Ebooks of related with Miller Bobcat 225 Plus Manual. Where to download Miller Bobcat 225 Plus Manual online for free? Are you looking for Miller Bobcat 225 Plus Manual PDF? This is definitely going to save you time and cash in something you should think about.

Find Miller Bobcat 225 Plus Manual :

faces against the wind a memoir

fachadas prefabricadas de hormigon

faith on the line dare to make a kingdom difference

falconer and the great beast

faith hope and love yearly devotional

facing death in cambodia

faking it fifteen no 2

faith lessons on the life and ministry of the messiah leaders guide

faith under pressure a study of biblical leaders in conflict

fair isles garden birds

faculty and the library the undergraduate experience

~~fact finder plants~~

faith and moral authority

fainting phenomenon understanding why people faint and what can be done about it

faith the great adventure

Miller Bobcat 225 Plus Manual :

nokia 1 4 user guide - Nov 30 2021

to open the notification panel drag the status bar down to close the notification panel swipe up on the screen to change the notification settings of an app tap settings apps

control notifications on android android help google help - Mar 03 2022

control notifications on android depending what notifications you want you can change settings for certain apps or for your whole phone notifications show when you swipe down

nokia notification enabler jar ai classmonitor com - Jan 13 2023

nokia notification enabler jar downloaded from ai classmonitor com by guest breanna cierra learning android application testing currency abstraction is the most basic principle

nokia notification enabler jar uniport edu ng - Feb 02 2022

apr 29 2023 nokia notification enabler jar 2 12 downloaded from uniport edu ng on april 29 2023 by guest language java

python c c and offers a set of development

nokia notification enabler jar - Jul 07 2022

nokia notification enabler jar downloaded from zapmap nissan co uk by guest johns alvaro android application development
springer science business media abstraction is

how to make a windows notification in java stack overflow - Jun 06 2022

oct 10 2017 in windows 10 there is a notification that opens in the bottom right of the screen and i find them quite useful is
there is any way to create windows notifications in java this

[nokia notification enabler jar uniport edu ng](#) - Oct 10 2022

sep 16 2023 nokia notification enabler jar 2 15 downloaded from uniport edu ng on september 16 2023 by guest mobile
phone programming frank h p fitzek 2007 06 25 this

nokia 7 1 manual user guide - Oct 30 2021

to open the notification panel drag the status bar down to close the notification panel swipe up on the screen to change the
notification settings of an app tap settings apps

[yantumakionline](#) - Jul 19 2023

aug 11 2018 nokia notifications enabler jar nokia notifications enabler jar posted by gambo lawal netclicker yantumaki at 15
26 no comments email this blogthis share to

nokia notification enabler jar pdf pdf wp2 storyblok - May 05 2022

merely said the nokia notification enabler jar pdf is universally compatible afterward any devices to read nokia wikipedia
nokia corporation natively nokia oyj referred to as

nokia 6 user guide - Apr 16 2023

to see more information about the notifications drag the status bar down to close the view swipe up on the screen to open the
notification panel drag the status bar down to close

nokia notification enabler nokia asha 205 apps free download - Sep 21 2023

download nokia notification enabler apps for which nokia asha 205 these apps are liberate on get and install the free nokia
notification enabler apps support java jar variables alternatively smartphones or will work go your nokia asha 205

nokia notification enabler jar uniport edu ng - Dec 12 2022

may 6 2023 nokia notification enabler jar 2 13 downloaded from uniport edu ng on may 6 2023 by guest provided by google
whether you want to develop a commercial application for

nokia notification enabler jar uniport edu ng - Aug 08 2022

jul 27 2023 nokia notification enabler jar 2 11 downloaded from uniport edu ng on july 27 2023 by guest computer lab what

the dormouse said is a poignant funny and inspiring

[nokia notification enabler jar book](#) - Nov 11 2022

nokia notification enabler jar is open in our digital library an online access to it is set as public consequently you can download it instantly our digital library saves in merged countries

nokia c1 user guide - Mar 15 2023

nokia c1 user guide keep your phone up to date insert the sim and memory card switch on and set up your phone lock or unlock your phone connect with your friends and family apps

nokia notification app download for nokia asha 200 bitbucket - Jun 18 2023

home apps new apps nokia notifications enabler jar the same story continues as new software update for nokia 206 and nokia 206 dual is new fb application for all java enabled

[nokia dominates global xgs pon olt market](#) - Apr 04 2022

nokia has taken the 1 ranking this year for the emea xgs pon olt market nokia has shipped more than 5.5 million xgs pon olt ports since 2018 dominance in xgs

[control notifications on android android help google](#) - Feb 14 2023

option 2 on a notification to find your notifications from the top of your screen swipe down touch and hold the notification and then tap settings choose your settings to turn off all

nokia notification enabler nokia asha 205 apps free download - Aug 20 2023

the free nokia notification enabler apps support java jar mobiles or smartphones the wish work on your nokia asha 205 scroll lower to download that free apps for the asha 205 via nokia

nokia notification enabler jar help discoveram - Sep 09 2022

may 17 2023 nokia notification enabler jar help discoveram com author jens westheimer help discoveram com subject nokia notification enabler jar help discoveram com

nokia 1 4 user guide - Jan 01 2022

to open the notification panel drag the status bar down to close the notification panel swipe up on the screen to change the notification settings of an app tap settings apps

nokia 6 1 user guide - May 17 2023

learn about your nokia 6 1 nokia 2660 flip mobile phone comes with a big display big buttons big sound and zoomed in interface making talking and texting easier when you receive

viva questions for time division multiplexing experiment - Nov 05 2022

web viva questions for time division multiplexing experiment viva questions for time division multiplexing experiment ec452

communications and vhdl lab the method of combining several sampled signals in a r13 iii b tech ii semester ece tdm pulse amplitude modulation demodulation trainer st2102

[viva questions for time division multiplexing experiment](#) - Jul 13 2023

web viva questions for time division multiplexing experiment april 21st 2018 department of electronic and information engineering communication laboratory sampling and

[time division multiplexing tdm mcq free pdf](#) - Oct 04 2022

web jul 31 2023 time division multiplexing tdm question and answers in the article below you will find an entire discrete mcq exercise based on time division

[viva questions for time division multiplexing experiment](#) - Aug 14 2023

web viva questions for time division multiplexing experiment questions 1 3 8 12 15 18 21 25 30 32 35 40 45 49 canara engineering college inverse multiplexer multiplexing

viva questions for time division multiplexing experiment - Jun 12 2023

web april 28th 2018 frequency division multiplexing is a technique a tdm means time division multiplexer choose samples it is very useful for my lab experiment i hope in viva

viva questions for time division multiplexing experiment - Apr 29 2022

web viva questions for time division multiplexing experiment com t 1 time division multiplexing lab university of pittsburgh digital communication viva questions

[viva questions for time division multiplexing experiment](#) - Jul 01 2022

web 4 viva questions for time division multiplexing experiment 2020 11 17 production industry this includes marine and logistics personnel accounting administrative and

viva questions for time division multiplexing experiment - Nov 24 2021

web april 18th 2018 data communication lab manual digital communication viva questions 104623 time division multiplexing transmitter academic year 2015 2016 gopalan

[viva questions for time division multiplexing experiment pdf](#) - Jan 27 2022

web viva questions for time division multiplexing experiment can be one of the options to accompany you in the manner of having other time it will not waste your time bow to

viva questions for time division multiplexing experiment - Mar 29 2022

web jun 6 2023 pam and time division multiplexing vol a1 in this experiment you will use lab viva amp interview hom department of electronics described in the pulse code

[viva questions for time division multiplexing experiment pdf](#) - Sep 22 2021

web viva questions for time division multiplexing experiment pdf whispering the secrets of language an emotional quest through viva questions for time division

time division multiplexing objective questions inst tools - Feb 08 2023

web we prepared the time division multiplexing multiple choice questions for your practice this quiz section consists of total 10 questions each question carries 1 point no

viva questions for time division multiplexing experiment - Apr 10 2023

web b tech ii semester ece s no name of the experiment 1 time division multiplexing 2 viva questions 1 the method of combining several sampled signals in a define

viva questions for time division multiplexing experiment - Mar 09 2023

web viva questions for time division multiplexing experiment multiplexing and demultiplexing tdm pulse amplitude modulation demodulation trainer st2102

viva questions for time division multiplexing experiment - Aug 02 2022

web communication viva questions and answers student yuva time division multiplexing lab experiment t 1 time division multiplexing lab university of

ebook viva questions for time division multiplexing experiment - Dec 06 2022

web the time divide sep 06 2020 the authors explain why and how time pressures have emerged and what we can do to alleviate them in contrast to conventional wisdom that

viva questions for time division multiplexing experiment - Oct 24 2021

web 2 viva questions for time division multiplexing experiment 2020 08 07 interfacing of input output devices it will help to enhance the programming skills of the reader

time division multiplexing questions and answers sanfoundry - May 11 2023

web this set of analog communications multiple choice questions answers mcqs focuses on time division multiplexing 1 the real part of an antenna s input impedance is

[viva questions for time division multiplexing experiment](#) - Dec 26 2021

web answering laboratory related questions etc exp 1 time division multiplexing 1 time division multiplexing wikipedia april 23rd 2018 time division multiplexing tdm is

viva questions for time division multiplexing experiment - Feb 25 2022

web with answers t 1 time division multiplexing lab university of pittsburgh student yuva time division multiplexing lab experiment viva questions for advanced communication lab ec452 communications and vhdl lab pulse code modulation and time division multiplexing viva questions for advanced communication lab

140 viva questions how to prepare for viva - Sep 03 2022

web aug 10 2023 here are the most common viva questions for biology class 11 and class 12 viva questions for class 12 biology what is litter what is the shape of a pollen

time division multiplexing is used in systems - May 31 2022

web cs601 data communication question s similar to the following time division multiplexing is used in systems

viva questions for time division multiplexing experiment pdf - Jan 07 2023

web viva questions for time division multiplexing experiment distribution of time division multiplexed tdm management services in a distributed antenna system and related components systems and methods oct 24 2022 distribution of management services in distributed antenna systems having a central unit and remote

compass american guides coastal california 2nd - Nov 28 2021

compass american guides massachusetts book by david lyon - Nov 09 2022

buy a cheap copy of compass american guides massachusetts book by david lyon created by local writers and photographers

compass american guides are the ultimate insider s

compass american guides massachusetts 1st edition biblio - Jul 05 2022

sep 30 2003 compass american guides massachusetts 1st edition by patricia harris david lyon anna mundow lisa

oppenheimer photographer james marshall compass

compass american guides boston 3rd edition full - Apr 02 2022

compass american guides massachusetts 1st edition is available in our digital library an online access to it is set as public so you can get it instantly our digital library saves in

compass american guides massachusetts 1st edition full - Aug 18 2023

sep 30 2003 compass american guides massachusetts 1st edition full color travel guide harris patricia lyon david mundow anna oppenheimer lisa marshall james on

compass american guides massachusetts 1st edition - Jan 11 2023

compass american guides massachusetts 1st edition harris patricia lyon david mundow anna oppenheimer lisa marshall james 9780676904932 books amazon ca

compass american guides massachusetts 1st edition - Mar 01 2022

publisher compass america guides isbn 1400013100 category cape cod mass language en page 290 size 22 44 mb format pdf epub view 7013 read online book

compass american guides massachusetts 1st edition - Feb 12 2023

buy compass american guides massachusetts 1st edition by harris patricia lyon david mundow anna oppenheimer lisa marshall james online on amazon ae at best prices

compass american guides massachusetts 1st edition full - Sep 19 2023

compass american guides massachusetts 1st edition full color travel guide band 1 harris patricia lyon david mundow anna oppenheimer lisa amazon com tr kitap

compass american guides yellowstone and grand - Dec 30 2021

compass american guides massachusetts 1st edition full - Apr 14 2023

compass american guides massachusetts 1st edition full color travel guide 1 by harris patricia lyon david mundow anna oppenheimer lisa at abebooks co uk isbn

compass american guides massachusetts 1st edition full - Jul 17 2023

abebooks com compass american guides massachusetts 1st edition full color travel guide 9780676904932 by harris patricia lyon david mundow anna oppenheimer lisa

9780676904932 compass american guides massachusetts 1st - Sep 07 2022

sep 30 2003 compass american guides massachusetts 1st edition compass american guides by patricia harris david lyon anna mundow lisa oppenheimer isbn 13

compass american guides massachusetts 1st edition full - Jun 16 2023

buy compass american guides massachusetts 1st edition full color travel guide 1 by harris patricia lyon david mundow anna oppenheimer lisa marshall james isbn

massachusetts by patricia harris open library - May 03 2022

massachusetts by patricia harris 2003 compass american guides edition in english 1st ed

compass american guides massachusetts 1st edition buy - Dec 10 2022

buy compass american guides massachusetts 1st edition online on amazon eg at best prices fast and free shipping free returns cash on delivery available on eligible purchase

compass american guides by patricia harris open library - Aug 06 2022

sep 23 2003 compass american guides massachusetts 1st edition compass american guides by patricia harris david lyon anna mundow and lisa oppenheimer 0 ratings 0

compass american guides cape cod 1st edition pdf download - Jan 31 2022

jun 6 2006 compass american guides montana 6th edition full color travel guide paperback june 6 2006 by norma tirrell author john reddy photographer 4 7 4 7 out

compass american guides massachusetts 1st edition alibris - Mar 13 2023

buy compass american guides massachusetts 1st edition by patricia harris david lyon rabbi anna mundow online at alibris we have new and used copies available in 1 editions

compass american guides massachusetts 1st edition pdf - Jun 04 2022

download compass american guides massachusetts 1st edition pdf full book access full book title compass american guides massachusetts 1st edition by patricia harris the

compass american guides massachusetts 1st edition harris - Oct 08 2022

compass american guides massachusetts 1st edition harris patricia lyon david mundow anna oppenheimer lisa marshall james on amazon com au free shipping

compass american guides montana 6th edition full color - Oct 28 2021

compass american guides massachusetts 1st edition - May 15 2023

compass massachusetts covers everything there is to see and do plus gorgeous full color photographs a wealth of archival images topical essays and literary extracts detailed color