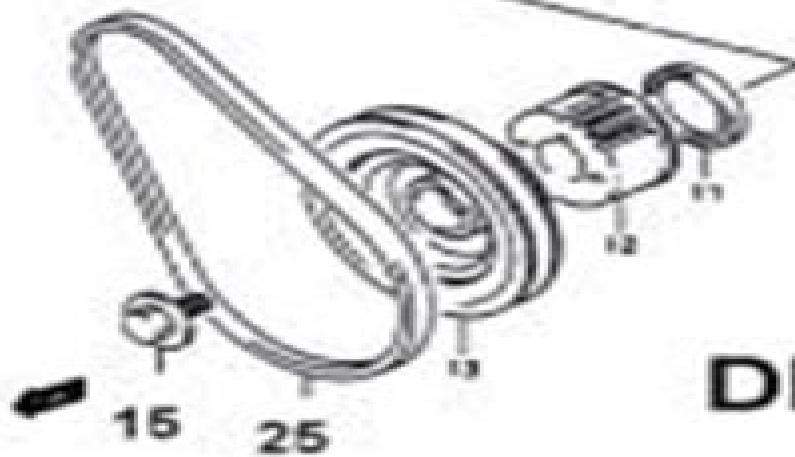
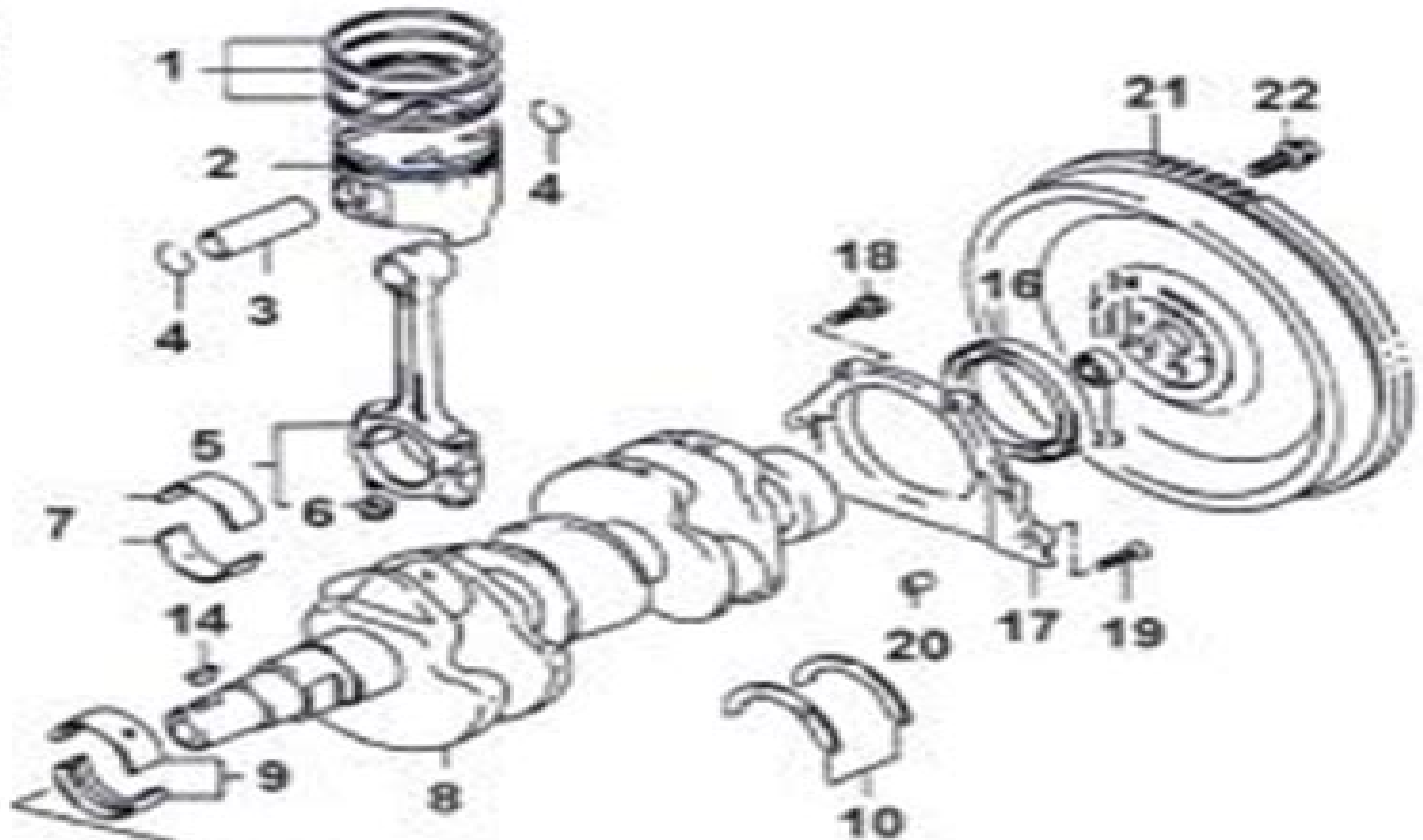


F6A



DD51T Series

F6a Engine Manual

H Kauffman



F6a Engine Manual:

Eventually, you will categorically discover a further experience and achievement by spending more cash. yet when? pull off you understand that you require to acquire those all needs next having significantly cash? Why dont you try to get something basic in the beginning? Thats something that will guide you to comprehend even more almost the globe, experience, some places, afterward history, amusement, and a lot more?

It is your agreed own epoch to accomplish reviewing habit. in the midst of guides you could enjoy now is **F6a Engine Manual** below.

https://staging.conocer.cide.edu/files/virtual-library/index.jsp/essentials_of_risk_financing05602_05603.pdf

Table of Contents F6a Engine Manual

1. Understanding the eBook F6a Engine Manual
 - The Rise of Digital Reading F6a Engine Manual
 - Advantages of eBooks Over Traditional Books
2. Identifying F6a Engine Manual
 - Exploring Different Genres
 - Considering Fiction vs. Non-Fiction
 - Determining Your Reading Goals
3. Choosing the Right eBook Platform
 - Popular eBook Platforms
 - Features to Look for in an F6a Engine Manual
 - User-Friendly Interface
4. Exploring eBook Recommendations from F6a Engine Manual
 - Personalized Recommendations
 - F6a Engine Manual User Reviews and Ratings
 - F6a Engine Manual and Bestseller Lists
5. Accessing F6a Engine Manual Free and Paid eBooks

- F6a Engine Manual Public Domain eBooks
 - F6a Engine Manual eBook Subscription Services
 - F6a Engine Manual Budget-Friendly Options
6. Navigating F6a Engine Manual eBook Formats
 - ePub, PDF, MOBI, and More
 - F6a Engine Manual Compatibility with Devices
 - F6a Engine Manual Enhanced eBook Features
 7. Enhancing Your Reading Experience
 - Adjustable Fonts and Text Sizes of F6a Engine Manual
 - Highlighting and Note-Taking F6a Engine Manual
 - Interactive Elements F6a Engine Manual
 8. Staying Engaged with F6a Engine Manual
 - Joining Online Reading Communities
 - Participating in Virtual Book Clubs
 - Following Authors and Publishers F6a Engine Manual
 9. Balancing eBooks and Physical Books F6a Engine Manual
 - Benefits of a Digital Library
 - Creating a Diverse Reading Collection F6a Engine Manual
 10. Overcoming Reading Challenges
 - Dealing with Digital Eye Strain
 - Minimizing Distractions
 - Managing Screen Time
 11. Cultivating a Reading Routine F6a Engine Manual
 - Setting Reading Goals F6a Engine Manual
 - Carving Out Dedicated Reading Time
 12. Sourcing Reliable Information of F6a Engine Manual
 - Fact-Checking eBook Content of F6a Engine Manual
 - Distinguishing Credible Sources
 13. Promoting Lifelong Learning
 - Utilizing eBooks for Skill Development

- Exploring Educational eBooks
14. Embracing eBook Trends
- Integration of Multimedia Elements
 - Interactive and Gamified eBooks

F6a Engine Manual Introduction

In this digital age, the convenience of accessing information at our fingertips has become a necessity. Whether its research papers, eBooks, or user manuals, PDF files have become the preferred format for sharing and reading documents. However, the cost associated with purchasing PDF files can sometimes be a barrier for many individuals and organizations. Thankfully, there are numerous websites and platforms that allow users to download free PDF files legally. In this article, we will explore some of the best platforms to download free PDFs. One of the most popular platforms to download free PDF files is Project Gutenberg. This online library offers over 60,000 free eBooks that are in the public domain. From classic literature to historical documents, Project Gutenberg provides a wide range of PDF files that can be downloaded and enjoyed on various devices. The website is user-friendly and allows users to search for specific titles or browse through different categories. Another reliable platform for downloading F6a Engine Manual free PDF files is Open Library. With its vast collection of over 1 million eBooks, Open Library has something for every reader. The website offers a seamless experience by providing options to borrow or download PDF files. Users simply need to create a free account to access this treasure trove of knowledge. Open Library also allows users to contribute by uploading and sharing their own PDF files, making it a collaborative platform for book enthusiasts. For those interested in academic resources, there are websites dedicated to providing free PDFs of research papers and scientific articles. One such website is Academia.edu, which allows researchers and scholars to share their work with a global audience. Users can download PDF files of research papers, theses, and dissertations covering a wide range of subjects. Academia.edu also provides a platform for discussions and networking within the academic community. When it comes to downloading F6a Engine Manual free PDF files of magazines, brochures, and catalogs, Issuu is a popular choice. This digital publishing platform hosts a vast collection of publications from around the world. Users can search for specific titles or explore various categories and genres. Issuu offers a seamless reading experience with its user-friendly interface and allows users to download PDF files for offline reading. Apart from dedicated platforms, search engines also play a crucial role in finding free PDF files. Google, for instance, has an advanced search feature that allows users to filter results by file type. By specifying the file type as "PDF," users can find websites that offer free PDF downloads on a specific topic. While downloading F6a Engine Manual free PDF files is convenient, its important to note that copyright laws must be respected. Always ensure that the PDF files you download are legally available for free.

Many authors and publishers voluntarily provide free PDF versions of their work, but its essential to be cautious and verify the authenticity of the source before downloading F6a Engine Manual. In conclusion, the internet offers numerous platforms and websites that allow users to download free PDF files legally. Whether its classic literature, research papers, or magazines, there is something for everyone. The platforms mentioned in this article, such as Project Gutenberg, Open Library, Academia.edu, and Issuu, provide access to a vast collection of PDF files. However, users should always be cautious and verify the legality of the source before downloading F6a Engine Manual any PDF files. With these platforms, the world of PDF downloads is just a click away.

FAQs About F6a Engine Manual Books

How do I know which eBook platform is the best for me? Finding the best eBook platform depends on your reading preferences and device compatibility. Research different platforms, read user reviews, and explore their features before making a choice. Are free eBooks of good quality? Yes, many reputable platforms offer high-quality free eBooks, including classics and public domain works. However, make sure to verify the source to ensure the eBook credibility. Can I read eBooks without an eReader? Absolutely! Most eBook platforms offer webbased readers or mobile apps that allow you to read eBooks on your computer, tablet, or smartphone. How do I avoid digital eye strain while reading eBooks? To prevent digital eye strain, take regular breaks, adjust the font size and background color, and ensure proper lighting while reading eBooks. What the advantage of interactive eBooks? Interactive eBooks incorporate multimedia elements, quizzes, and activities, enhancing the reader engagement and providing a more immersive learning experience. F6a Engine Manual is one of the best book in our library for free trial. We provide copy of F6a Engine Manual in digital format, so the resources that you find are reliable. There are also many Ebooks of related with F6a Engine Manual. Where to download F6a Engine Manual online for free? Are you looking for F6a Engine Manual PDF? This is definitely going to save you time and cash in something you should think about. If you trying to find then search around for online. Without a doubt there are numerous these available and many of them have the freedom. However without doubt you receive whatever you purchase. An alternate way to get ideas is always to check another F6a Engine Manual. This method for see exactly what may be included and adopt these ideas to your book. This site will almost certainly help you save time and effort, money and stress. If you are looking for free books then you really should consider finding to assist you try this. Several of F6a Engine Manual are for sale to free while some are payable. If you arent sure if the books you would like to download works with for usage along with your computer, it is possible to download free trials. The free guides make it easy for someone to free access online library for download books to your device. You can get free download on free trial for lots of books categories. Our library is the biggest of these

that have literally hundreds of thousands of different products categories represented. You will also see that there are specific sites catered to different product types or categories, brands or niches related with F6a Engine Manual. So depending on what exactly you are searching, you will be able to choose e books to suit your own need. Need to access completely for Campbell Biology Seventh Edition book? Access Ebook without any digging. And by having access to our ebook online or by storing it on your computer, you have convenient answers with F6a Engine Manual To get started finding F6a Engine Manual, you are right to find our website which has a comprehensive collection of books online. Our library is the biggest of these that have literally hundreds of thousands of different products represented. You will also see that there are specific sites catered to different categories or niches related with F6a Engine Manual So depending on what exactly you are searching, you will be able to choose ebook to suit your own need. Thank you for reading F6a Engine Manual. Maybe you have knowledge that, people have search numerous times for their favorite readings like this F6a Engine Manual, but end up in harmful downloads. Rather than reading a good book with a cup of coffee in the afternoon, instead they juggled with some harmful bugs inside their laptop. F6a Engine Manual is available in our book collection an online access to it is set as public so you can download it instantly. Our digital library spans in multiple locations, allowing you to get the most less latency time to download any of our books like this one. Merely said, F6a Engine Manual is universally compatible with any devices to read.

Find F6a Engine Manual :

[essentials of risk financing05602 05603](#)

esters child

[essentials of intellectual property for the paralegal](#)

estce que je te derangepb98

essentials of athletic training with dynamic human

[ester rieds awakening the alden collection](#)

[estudio de sistemas y procedimientos administrativos](#)

[establishment is alive and well in washington](#)

[estaba la rana](#)

estate planning strategies for physicians

[eta hoffmann der sandmann lektuerehilfen](#)

essential maths space shape & measures ks2 level 2

[essential japan library of nations](#)

essentially soap

essentials of interventional cardiology

F6a Engine Manual :

how to calculate yarn production in spinning mill - Dec 07 2022

web are calculated from conversion rates the difference between these can be best explained by a short example as follows

example 1 consider a spinner consuming 100 kg of

textile spinning calculation draw frame formula draft formula - Sep 23 2021

different formula of textile calculation textile learner - Jun 13 2023

web dec 8 2016 production calculation in spinning is one of the principal tasks for the production manager who is responsible for spinning the floor maximum time textile

factors and productivity in rotor yarn spinning process textile - Dec 27 2021

textile calculations a complete guide to all calculations relating - Feb 26 2022

web sep 30 2022 textile tech youtube channel videos will be uploaded about textile spinning yarn manufacturing procedure process quality maintenance settings and

complete production calculation of yarn spinning linkedin - Feb 09 2023

web feb 9 2020 textile calculation formula basic formula for spinning calculation spinning mills formation spinning mills laboratory testing spinning mills basic

spinning production calculation formula explained youtube - Aug 03 2022

web textile calculations a complete guide to all calculations relating to the construction of all kinds of yarns and fabrics the analysis of cloth etc posselt e a emanuel anthony

textile calculations spinning part i - Jan 08 2023

web aug 30 2021 texconnect is here with a video on spinning production calculations this video will clear all your doubts on calculations production calculation is explain

textile spinning calculation help environment harvard edu - Nov 25 2021

textile calculator app saurer - Jul 14 2023

web jul 25 2013 textile production calculation formulas such as spinning blowroom carding combing ringframe weaving

winding warping sizing and dyeing different
spinning production formula garments academy - Jan 28 2022

3 1 textile calculations hsbte - Mar 30 2022

web jan 11 2022 spinning is the process of twisting textile fibers to form them into a yarn learn about the definition and basic process of textile spinning and

textile calculations problems and solutions of draft - Apr 11 2023

web apr 9 2021 founder editor of textile learner yarn spinning is a process of making or converting fiber materials into yarns during ring yarn manufacturing process various

draw frame math calculation in textile textile - Oct 05 2022

web jan 4 2015 spinning calculation 1 for 40 nec sp speed 0 254 η where 0 254 60 8 16 36 840 ops tpi ct 17000 0 254 0 95 27 1 40 3 78 for 50 nec sp

yarn spinning formulas textile school - Aug 15 2023

web oct 28 2010 ne english count number of 840 yards in one pound 840 constant 2 2045 to convert from lbs to kilograms production in kgs hr l x ktex x 60 x effy 1000 l delivery speed in m min ktex sliver count in ktex kilotex effy efficiency 1000 to what is spinning in textiles definition process - Oct 25 2021

measuring cotton consumption bci conversion factors and - Jul 02 2022

web spinning calculations formula introduction spinning is the process of manufacturing yarn from fiber during ring yarn manufacturing various machines are involved in the production

mechanics and calculations of textile machinery sciencedirect - Jun 01 2022

web jun 19 2021 factors and productivity in rotor yarn spinning process chinmoy das mithun md anas imam rifat bin sattar md tanvir rahman dept of yarn

textile calculation formula basic formula for spinning - Sep 04 2022

web 3 1 textile calculations t p 3 diploma holder in textile design is supposed to calculate the yarn count yarn dimensions and carry out other textile calculations related

textile calculations problems and solutions of textile - Nov 06 2022

web description mechanics and calculations of textile machinery deals with the mechanics and dynamics of textile machines the first chapter examines various types of power drives

spinning calculations pdf slideshare - Apr 30 2022

web chattopadhyay 2023 01 01 textile calculation from fibre to finished garment provides detailed explanations of standard numerical calculations used at different stages of

constants and calculations textile spinning - Mar 10 2023

web jun 18 2021 ring frame production calculation formula with example spinning calculations april 6 2021 by mahedi hasan introduction ring frame is the last and most

production calculation formula in spinning textile calculations - May 12 2023

web jan 28 2023 textile calculations represents all about mathematical calculation of spinning weaving knitting wet processing and garments costing and consumption

upsc political science optional syllabus download syllabus pdf - Aug 23 2021

syllabi ut tyler department of political science - Aug 03 2022

web aug 10 2023 in the upsc ias exam political science and international relations psir is one of the optional subjects since political science is a rational subject aspirants

ugc net political science syllabus 2023 download pdf - Sep 23 2021

upsc political science syllabus for ias mains download psir - Jun 01 2022

web apr 3 2023 upsc ias political science syllabus 2023 releases in ias notification on the official website at upsc gov in the syllabus of upsc political science 2023 is for both

ugc net political science syllabus 2023 download - Dec 07 2022

web feb 27 2023 upsc political science syllabus for ias mains download psir paper 1 2 pdf check the complete upsc political science syllabus for ias mains exam in

polsc101 introduction to political science saylor - Nov 06 2022

web political science code no 028 class xii 2021 22 term wise syllabus term 1 40 marks term 2 40 marks units contents weightage in marks part a

introduction to political science syllabus - Aug 15 2023

web this course is designed to provide an introduction to a variety of empirical research methods used by political scientists the primary aims of the course are to make you a more

upsc political science syllabus 2021 for ias mains - Feb 09 2023

web pols 4393 060 the principles of public and political leadership dr robert sterken pols 4396 001 research methods dr mark owens pols 4699 060 advocacy and

[political science syllabus leverage edu](#) - Oct 05 2022

web university grants commission net bureau subject political science unit 1 political theory code no 02 syllabus concepts liberty equality justice

[cbse class 12 political science syllabus 2023 24 class 12th](#) - Feb 26 2022

web aug 17 2023 the upsc political science optional syllabus covers various topics such as the freedom struggle and indian politics the constitution of india the international

[ias upsc political science syllabus 2023 competition](#) - Nov 25 2021

syllabus political science scope and methods political science - Jun 13 2023

web a the study of intrapersonal interpersonal and or socio cultural factors associated with individual behavior collective action or societal development and b the study of

syllabi archive political science university of colorado boulder - Mar 10 2023

web oct 1 2013 ba political science hons is a three year undergraduate course that deals with systems of governance and power and the analysis of political thought political

american political science association teaching syllabi in - May 12 2023

web 3075 applied political science research 3082 political systems of sub saharan africa 3084 diversity disagreement and democracy an introduction to the theory and

upsc political science syllabus download political - Jan 08 2023

web political science syllabus 2023 24 rationale a discipline of social science political science deals with understanding the social structures and methods used to manage a

upsc political science optional syllabus get pdf for free - Jan 28 2022

web jun 15 2023 notification syllabus and format for clat 2024 as part of its ongoing efforts to make the common law admission test clat a more student

cbse - Jul 02 2022

web political science syllabus free download in sinhala tamil and english medium sri lanka political science syllabus pdf download

undergraduate curriculum guide ubc political science - Jul 14 2023

web the apsa syllabi project assists in this endeavor by making available a wide array of syllabi for courses in all subfields of political science if you have questions about the

ba political science syllabus subjects semester yearly - Sep 04 2022

web aug 22 2023 updated aug 22 2023 17 38 ist cbse political science syllabus 2024 for class 12th board exam cbse class 12th political science syllabus 2023 2024

pol sci 103 introduction to political science university of - Apr 11 2023

web courses course catalog political science polsc101 introduction to political science learn new skills or earn credit towards a degree at your own pace with no deadlines

political science syllabus sri lanka syllabus free download - Dec 27 2021

university grants commission net bureau - Mar 30 2022

web sep 13 2023 the nta ugc net political science syllabus 2023 consists of the following topics unit 1 political theory unit 2 negotiating the sources unit 3

2024 syllabus consortium of national law - Jul 22 2021

model syllabus political science osou - Oct 25 2021

political science code no 028 class xi 2021 22 term - Apr 30 2022

web political science honours papers core course 14 papers discipline specific elective 4 papers generic elective for non political science students 4 papers

english lesson google slides theme and powerpoint template - Nov 03 2022

web get these english templates to create engaging presentations that will captivate your audience no download limits free for any use no signups

free grammar google slides themes powerpoint templates - Apr 27 2022

web download the following free and ready to use grammar powerpoint templates and google slides themes for the upcoming presentation you only need to change text logo or

free and customizable english presentation templates canva - Mar 07 2023

web visit slideegg to buy and download predesigned english grammar powerpoint template and google slides fully editable easy to use and professional slides solutions

free grammar google slides themes powerpoint - Oct 14 2023

web 58 best grammar themed templates crystalgraphics creates templates designed to make even average presentations look incredible below you ll see thumbnail sized

english grammar powerpoint template and google slides - Oct 02 2022

web how and edit our grammar templates into google slides and powerpoint and don t miss a comma liberate easy to revise professional

grammar powerpoint templates google slides themes - Jun 10 2023

web presenting our correct grammar in powerpoint and google slides cpb powerpoint template design this powerpoint slide showcases four stages it is useful to share

powerpoint templates and google slides for english grammar - Jan 05 2023

web this template will be perfect for presenting all the aspects and details of grammar and spelling in the english language if you want to make a beautiful presentation with a

english language grammar rules google slides - Aug 12 2023

web you can download your english presentation template for free as a powerpoint file in pptx or pdf document send it as a resource for asynchronous learning in an mp4

free powerpoint editable templates language advisor - Jan 25 2022

410 english grammar powerpoint templates pikbest - Jun 29 2022

web free powerpoint editable templates 50 free editable ppt templates to download for all languages levels and ages

grammar lesson google slides theme and powerpoint template - Dec 24 2021

free esl powerpoint lessons games4esl - Mar 27 2022

free grammar powerpoint templates and google slides themes - Nov 22 2021

best free language grammar google slide themes and - Dec 04 2022

web pikbest have found 418 great english grammar powerpoint templates for free more animated ppt about english grammar free download for commercial usable please visit

verbs english grammar lesson 1 google slides - May 09 2023

web download the following free and ready to use language grammar powerpoint templates and google slides themes for the upcoming presentation you only need to change text

15 509 english esl powerpoints isl collective - Sep 01 2022

web these powerpoint lessons are great to use in lessons teaching english to english language learners you ll find vocabulary powerpoints grammar powerpoints

the digital quick grammar google slides ppt - Apr 08 2023

web features of this template a cool template with geometric shapes 100 editable and easy to modify 27 different slides to impress your audience contains easy to edit graphics

best teaching english grammar powerpoint templates - Feb 06 2023

web 1mada past simple regular verbs game a ppt game to revise past simple regular verbs have a nice day mada here s an easy review of regular verbs the students will

english powerpoint templates google slides themes - Feb 23 2022

free grammar powerpoint template prezentr powerpoint - Jul 31 2022

web a powerpoint template is a pattern or blueprint for your slides that you save as a pptx or potx file all the english powerpoint templates are natively built in powerpoint using

english powerpoint templates and google slides themes - May 29 2022

web learn and teach more about how grammar works with this vintage template this template is based on a lesson structure the orange background contains geometric shapes that

58 best grammar themed templates for powerpoint google - Jul 11 2023

web crystalgraphics brings you the world s biggest best collection of teaching english grammar powerpoint templates winner standing ovation award best

free google slides and ppt templates about english - Sep 13 2023

web a powerpoint template is a pattern or blueprint for your slides that you save as a pptx or potx file all the grammar powerpoint templates are natively built in powerpoint