

**GENERAL DIMENSIONS (Fig. 1)**

- A.** Overall Height (over Steering Wheel): 1486 mm (58.5 in.)  
**A<sub>1</sub>** Overall Height (over Exhaust): 2165 mm (85.2 in.)  
**B.** Overall Width: 1851 mm (72.9 in.)  
**C.** Overall Length: 3213 mm (126.5 in.)  
**D.** Wheelbase (without Spacer): 1892 mm (74.5 in.)

**Ground Clearance:**

- E.** Under Weight Frame (with Weights): 0-305 mm (12 in.)  
**F.** Ground Clearance (under Clutch Housing): 0-33 mm (1.3 in.)

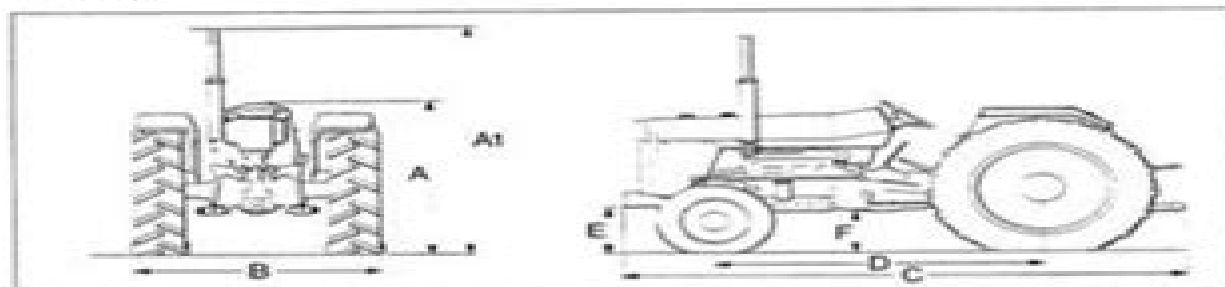
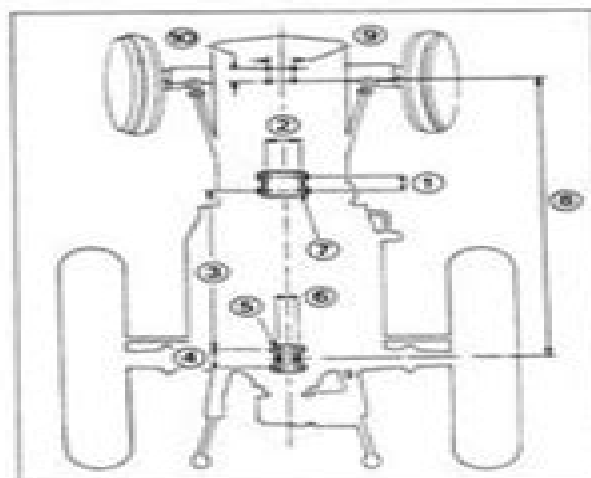
**Turning Circle:** 6,425 m (21-1 ft) Without Brakes;  
 5,857 m (19-25 ft) With Brakes

**Weight (with fuel, oil and water):** 1650 kg (3642 lb)

**Note:** The above dimensions are for a tractor fitted with 6-00-16 front tyres and 11-28 rear tyres at 1321 mm (52 in) and 1420 mm (56 in) track settings respectively.

**MOUNTING POINTS (Fig. 2)**

1. 101.6 mm (4 in.)
2. 184 mm (7 1/4 in.)
3. 1016 mm (40 1/4 in.)
4. 152.4 mm (6 in.)
5. 4 holes tap 7/8 in 10 UNC 3B x 28.6 mm (1 1/4 in) deep (blind)
6. 85.7 mm (3 3/8 in.)
7. 8 holes tap 7/8 in 11 UNC
8. 1831 mm (72 1/4 in.)
9. 152.4 mm (6 in.)
10. 114.3 mm (4 1/2 in.)

**FIG. 1****FIG. 2**

# Mf 253 Tiller Manual

**Katrin Zwirgmaier**



**Mf 253 Tiller Manual:**

Recognizing the way ways to get this ebook **Mf 253 Tiller Manual** is additionally useful. You have remained in right site to start getting this info. get the Mf 253 Tiller Manual partner that we find the money for here and check out the link.

You could buy lead Mf 253 Tiller Manual or acquire it as soon as feasible. You could speedily download this Mf 253 Tiller Manual after getting deal. So, like you require the ebook swiftly, you can straight get it. Its therefore unconditionally simple and appropriately fats, isnt it? You have to favor to in this make public

<https://staging.conocer.cide.edu/files/publication/Documents/instant%20genius%20the%20cheat%20sheets%20of%20culture%20us%20wars%20after%201900%20instant%20genius.pdf>

## **Table of Contents Mf 253 Tiller Manual**

1. Understanding the eBook Mf 253 Tiller Manual
  - The Rise of Digital Reading Mf 253 Tiller Manual
  - Advantages of eBooks Over Traditional Books
2. Identifying Mf 253 Tiller Manual
  - Exploring Different Genres
  - Considering Fiction vs. Non-Fiction
  - Determining Your Reading Goals
3. Choosing the Right eBook Platform
  - Popular eBook Platforms
  - Features to Look for in an Mf 253 Tiller Manual
  - User-Friendly Interface
4. Exploring eBook Recommendations from Mf 253 Tiller Manual
  - Personalized Recommendations
  - Mf 253 Tiller Manual User Reviews and Ratings
  - Mf 253 Tiller Manual and Bestseller Lists
5. Accessing Mf 253 Tiller Manual Free and Paid eBooks

- Mf 253 Tiller Manual Public Domain eBooks
  - Mf 253 Tiller Manual eBook Subscription Services
  - Mf 253 Tiller Manual Budget-Friendly Options
6. Navigating Mf 253 Tiller Manual eBook Formats
- ePub, PDF, MOBI, and More
  - Mf 253 Tiller Manual Compatibility with Devices
  - Mf 253 Tiller Manual Enhanced eBook Features
7. Enhancing Your Reading Experience
- Adjustable Fonts and Text Sizes of Mf 253 Tiller Manual
  - Highlighting and Note-Taking Mf 253 Tiller Manual
  - Interactive Elements Mf 253 Tiller Manual
8. Staying Engaged with Mf 253 Tiller Manual
- Joining Online Reading Communities
  - Participating in Virtual Book Clubs
  - Following Authors and Publishers Mf 253 Tiller Manual
9. Balancing eBooks and Physical Books Mf 253 Tiller Manual
- Benefits of a Digital Library
  - Creating a Diverse Reading Collection Mf 253 Tiller Manual
10. Overcoming Reading Challenges
- Dealing with Digital Eye Strain
  - Minimizing Distractions
  - Managing Screen Time
11. Cultivating a Reading Routine Mf 253 Tiller Manual
- Setting Reading Goals Mf 253 Tiller Manual
  - Carving Out Dedicated Reading Time
12. Sourcing Reliable Information of Mf 253 Tiller Manual
- Fact-Checking eBook Content of Mf 253 Tiller Manual
  - Distinguishing Credible Sources
13. Promoting Lifelong Learning
- Utilizing eBooks for Skill Development

- Exploring Educational eBooks
14. Embracing eBook Trends
- Integration of Multimedia Elements
  - Interactive and Gamified eBooks

### **Mf 253 Tiller Manual Introduction**

In this digital age, the convenience of accessing information at our fingertips has become a necessity. Whether its research papers, eBooks, or user manuals, PDF files have become the preferred format for sharing and reading documents. However, the cost associated with purchasing PDF files can sometimes be a barrier for many individuals and organizations. Thankfully, there are numerous websites and platforms that allow users to download free PDF files legally. In this article, we will explore some of the best platforms to download free PDFs. One of the most popular platforms to download free PDF files is Project Gutenberg. This online library offers over 60,000 free eBooks that are in the public domain. From classic literature to historical documents, Project Gutenberg provides a wide range of PDF files that can be downloaded and enjoyed on various devices. The website is user-friendly and allows users to search for specific titles or browse through different categories. Another reliable platform for downloading Mf 253 Tiller Manual free PDF files is Open Library. With its vast collection of over 1 million eBooks, Open Library has something for every reader. The website offers a seamless experience by providing options to borrow or download PDF files. Users simply need to create a free account to access this treasure trove of knowledge. Open Library also allows users to contribute by uploading and sharing their own PDF files, making it a collaborative platform for book enthusiasts. For those interested in academic resources, there are websites dedicated to providing free PDFs of research papers and scientific articles. One such website is Academia.edu, which allows researchers and scholars to share their work with a global audience. Users can download PDF files of research papers, theses, and dissertations covering a wide range of subjects. Academia.edu also provides a platform for discussions and networking within the academic community. When it comes to downloading Mf 253 Tiller Manual free PDF files of magazines, brochures, and catalogs, Issuu is a popular choice. This digital publishing platform hosts a vast collection of publications from around the world. Users can search for specific titles or explore various categories and genres. Issuu offers a seamless reading experience with its user-friendly interface and allows users to download PDF files for offline reading. Apart from dedicated platforms, search engines also play a crucial role in finding free PDF files. Google, for instance, has an advanced search feature that allows users to filter results by file type. By specifying the file type as "PDF," users can find websites that offer free PDF downloads on a specific topic. While downloading Mf 253 Tiller Manual free PDF files is convenient, its important to note that copyright laws must be respected. Always ensure that the PDF files you download are legally available for free.

Many authors and publishers voluntarily provide free PDF versions of their work, but its essential to be cautious and verify the authenticity of the source before downloading Mf 253 Tiller Manual. In conclusion, the internet offers numerous platforms and websites that allow users to download free PDF files legally. Whether its classic literature, research papers, or magazines, there is something for everyone. The platforms mentioned in this article, such as Project Gutenberg, Open Library, Academia.edu, and Issuu, provide access to a vast collection of PDF files. However, users should always be cautious and verify the legality of the source before downloading Mf 253 Tiller Manual any PDF files. With these platforms, the world of PDF downloads is just a click away.

### **FAQs About Mf 253 Tiller Manual Books**

**What is a Mf 253 Tiller Manual PDF?** A PDF (Portable Document Format) is a file format developed by Adobe that preserves the layout and formatting of a document, regardless of the software, hardware, or operating system used to view or print it. **How do I create a Mf 253 Tiller Manual PDF?** There are several ways to create a PDF: Use software like Adobe Acrobat, Microsoft Word, or Google Docs, which often have built-in PDF creation tools. Print to PDF: Many applications and operating systems have a "Print to PDF" option that allows you to save a document as a PDF file instead of printing it on paper. Online converters: There are various online tools that can convert different file types to PDF. **How do I edit a Mf 253 Tiller Manual PDF?** Editing a PDF can be done with software like Adobe Acrobat, which allows direct editing of text, images, and other elements within the PDF. Some free tools, like PDFescape or Smallpdf, also offer basic editing capabilities. **How do I convert a Mf 253 Tiller Manual PDF to another file format?** There are multiple ways to convert a PDF to another format: Use online converters like Smallpdf, Zamzar, or Adobe Acrobats export feature to convert PDFs to formats like Word, Excel, JPEG, etc. Software like Adobe Acrobat, Microsoft Word, or other PDF editors may have options to export or save PDFs in different formats. **How do I password-protect a Mf 253 Tiller Manual PDF?** Most PDF editing software allows you to add password protection. In Adobe Acrobat, for instance, you can go to "File" -> "Properties" -> "Security" to set a password to restrict access or editing capabilities. Are there any free alternatives to Adobe Acrobat for working with PDFs? Yes, there are many free alternatives for working with PDFs, such as: LibreOffice: Offers PDF editing features. PDFsam: Allows splitting, merging, and editing PDFs. Foxit Reader: Provides basic PDF viewing and editing capabilities. How do I compress a PDF file? You can use online tools like Smallpdf, ILovePDF, or desktop software like Adobe Acrobat to compress PDF files without significant quality loss. Compression reduces the file size, making it easier to share and download. Can I fill out forms in a PDF file? Yes, most PDF viewers/editors like Adobe Acrobat, Preview (on Mac), or various online tools allow you to fill out forms in PDF files by selecting text fields and entering information. Are there any

restrictions when working with PDFs? Some PDFs might have restrictions set by their creator, such as password protection, editing restrictions, or print restrictions. Breaking these restrictions might require specific software or tools, which may or may not be legal depending on the circumstances and local laws.

### **Find Mf 253 Tiller Manual :**

**instant genius the cheat sheets of culture us wars after 1900 instant genius**

inside the monster writings on the united states and american imperialism

~~instructors guide for medical law ethics and bioethics for ambulatory care~~

**inspector morse secret of bay 5b**

**instants volas**

**inside the kingdom my life in saudi arabia**

**inspector ghote goes by train**

instructors manual to accompany the human species its nature evolution and ecology

**insiders guide to editors publishers and literary agents 19931994 edition**

*inspirational quotations courage inspirational quotations*

*inside urban politics voices from americas cities and suburbs*

**instructors manual for basic legal research & writingpb1994**

instant spelling words for writing red

instant math

*inside the tower the alternative guide*

### **Mf 253 Tiller Manual :**

advanced mouldmaking and casting worldcat org - Mar 31 2023

web students are taken through the basic principles considerations choices and applications of a comprehensive range of mouldmaking and casting techniques from the traditional

**mouldmaking and casting mouldmaking casting** - May 01 2023

web advanced mouldmaking and casting author nick brooks author summary edition publisher crowood press 2011 physical description isbn subjects art and design

*advanced mouldmaking and casting kindle edition amazon co uk* - Aug 24 2022



web oct 5 2018 advanced casting and welding 1 castings casting is a manufacturing process in which a liquid material is usually poured into a mould which contains a hollow

**download advanced mouldmaking and casting by nick brooks** - Nov 26 2022

web advanced mouldmaking and casting by nick brooks a new book to encourage the use of the latest methods in mouldmaking and casting this new title looks in greater detail

**mould making and casting instructional videos bentley** - Jul 03 2023

web advanced mouldmaking and casting by nick brooks supported by step by step sequences and full descriptions of traditional processes as well as new methods this

advanced mouldmaking and casting by nick brooks - Jan 29 2023

web the scope and potential of mouldmaking and casting is fascinating and makes it one of the most exciting processes available to today s craftsmen its opportunities have been

advanced mouldmaking and casting on onbuy - Mar 19 2022

web advanced mouldmaking and casting by brooks nick november 21 2011 hardcover amazon com tr kitap

*advanced mouldmaking and casting amazon com* - Sep 05 2023

web dec 31 2011 aimed equally at the student with little pre existing knowledge and the professional wishing to further their skill base this book provides an invaluable learning

aluminum casting mould aluminum casting mold latest price - Nov 14 2021

*basics of mouldmaking and casting benam co uk* - Dec 28 2022

web the scope and potential of mouldmaking and casting is fascinating and makes it one of the most exciting processes available to today s craftsmen its opportunities have been

*advanced mouldmaking and casting kindle edition* - Oct 26 2022

web 4 4 59 ratings see all formats and editions kindle edition 14 99 read with our free app hardcover 20 61 4 used from 12 49 15 new from 20 00 the scope and potential of

*advanced mouldmaking and casting brooks nick* - May 21 2022

web the scope and potential of mouldmaking and casting is fascinating and makes it one of the most exciting processes available to today s craftsmen

advanced mouldmaking and casting the crowood press - Aug 04 2023

web the mouldmaking and casting materials which bentley carries can be used to create prototypes which accurately reflect every detail of your original whether your original

[by nick brooks mouldmaking casting](#) - Apr 19 2022

web nov 7 2019 advanced mouldmaking and casting the scope and potential of mouldmaking and casting is fascinating and makes it one of the most exciting

**sculpture techniques brooks advanced mouldmaking and** - Sep 24 2022

web dec 21 2013 covers jesmonite mould making and casting bioresin casting life moulding silicone from the body large scale clay press moulding embedding in clear

**advanced mouldmaking and casting amazon co uk** - Oct 06 2023

web buy advanced mouldmaking and casting by brooks nick isbn 9781847973108 from amazon s book store everyday low prices and free delivery on eligible orders

**advanced mouldmaking and casting overdrive** - Jul 23 2022

web advanced mouldmaking and casting hardcover brooks nick 4 27 avg rating 11 ratings by goodreads hardcover isbn 10 1847973108 isbn 13 9781847973108

*advanced mouldmaking and casting wood carving tools* - Feb 15 2022

web advanced mould technology india pvt ltd amt is a subsidiary of the kme group having a strategic business alliance with mishima kosan co ltd japan this joint venture with

[courses mouldmaking casting](#) - Feb 27 2023

web whether you are interested in how to make a mould for reproducing a sculpted figure an antique picture frame an industrial pattern an architectural moulding a fossil animal

[advanced casting and welding ppt slideshare](#) - Jun 21 2022

web courses mouldmaking and casting has provided courses to students across the uk and internationally from countries including india canada iran dubai lebanon portugal

**amt advanced mould technology mould reconditioning** - Dec 16 2021

**advanced mouldmaking and casting modelshop co uk** - Jun 02 2023

web advanced mould making and casting 800 life casting 800 mouldmaking and casting a comprehensive course during which students will learn a number of mould

[advanced mouldmaking and casting by brooks nick november](#) - Jan 17 2022

web low pressure aluminum shell core sand casting parts 300 kg get latest price die casting type sand mold and shell core material aluminum alloy lm02 adc12

[baci a tutti book 2015 worldcat org](#) - Nov 09 2022

web baci a tutti andrea antonello elcograf essere autistici è un po come essere alieni in testa si hanno le regole di un mondo però si vive in un altro che magari non capisce l importanza di allineare i telecomandi tenere tutte le

**traduction de un bacio a tutti en français reverso context** - Sep 07 2022

web traduction de un bacio a tutti en français dai un bacio a tutti da parte mia un bisou à tout le monde de ma part buongiorno un bacio a tutti voi buongiorno bonjour je vous envoie une bise dai un bacio a tutti da parte nostra papà bacioni embrasse tout le monde de notre part papa suggérer un exemple

translation of un bacio a tutti in english reverso context - May 15 2023

web kisses to all e ora mi rimetto al lavoro un bacio a tutti and now i get back to work a kiss to all grazie d averla letta un grosso abbraccio e un bacio a tutti voi thanks for reading and a big hug and a kiss to all of you non aspettare altro tempo un bacio a tutti don t wait any longer a kiss to everyone grazie un bacio a tutti

*translation of bacio a tutti in english reverso context* - Jul 17 2023

web translations in context of bacio a tutti in italian english from reverso context un bacio a tutti e a presto

**qué significa bacio a tutti en italiano hivariate** - Jun 04 2022

web nov 4 2017 mandare un bacio a tutti send a kiss to everyone using your hand and your mouth baci a tutti you kiss everyone it seems to be an action

**traduci tanti baci a tutti in tedesco mymemory** - Mar 01 2022

web traduzioni contestuali di tanti baci a tutti in tedesco frasi ed esempi di traduzione rache zu allen süße nacht allen antworten hallo ihr beiden

**pinuccia cerri baci a tutti youtube** - Oct 08 2022

web sep 13 2023 baci a tutti musica cerri anghinoni allario testo morelli ligorio ed sa project two music

**baci a tutti antonello andrea amazon com tr kitap** - Mar 13 2023

web arama yapmak istediğiniz kategoriye seçin

*what is baci a tutti when translated from italian to english* - Jan 11 2023

web nov 10 2022 baci a tutti in italian means kisses to everyone in english

**baci a tutti translation into english reverso context** - Sep 19 2023

web translation of baci a tutti in english kisses to all kisses to everyone a p alla tua scelta per adesso lascio baci a tutti a p at your choice for now i leave kisses to all tanti baci a tutti e tanti auguri piccola mia è uno spasso vederti crescere

*baci a tutti traduzione in inglese reverso context* - Aug 18 2023

web kisses to all kisses to everyone a p alla tua scelta per adesso lascio baci a tutti a p at your choice for now i leave kisses to all tanti baci a tutti e tanti auguri piccola mia è uno spasso vederti crescere hugs and kisses to all and happy birthday little

mia watching you grow is such a blast

[baci a tutti in english with contextual examples mymemory](#) - Jun 16 2023

web contextual translation of baci a tutti into english human translations with examples i see a tutti iloveyou carissimi night kisses grazie a tutti translation api

**baci a tutti saranda restaurant reviews photos tripadvisor** - Apr 02 2022

web aug 26 2020 baci a tutti claimed review save share 18 reviews 3 of 7 desserts in saranda dessert rruga mitat hoxha saranda 9701 albania 0698811771 add website add hours improve this listing food service value details view all details location and contact rruga mitat hoxha saranda 9701 albania email 0698811771 improve this listing

*tanti baci a tutti italien français traduction et exemples* - Aug 06 2022

web baci a tutti due vous embrasse toute les deux dernière mise à jour 2022 03 30 fréquence d utilisation 1 qualité référence anonyme baci a tutti e due bisous à toi et rico dernière mise à jour 2023 01 28 fréquence d utilisation 1 qualité référence anonyme tanti baci bisous bisous dernière mise à jour 2016 10 28

[baci a tutti andrea antonello libro sperling kupfer varia](#) - Dec 10 2022

web mar 24 2015 baci a tutti è un libro di andrea antonello pubblicato da sperling kupfer nella collana varia acquista su ibs a 7 95

**baci in italian kisses getting to know italy** - Feb 12 2023

web apr 11 2023 baci di dama are a type of cookies from the piedmont region in northwestern italy the name baci di dama means lady s kisses in italian if you just want one cookie it s called a bacio di dama lady s kiss but it s hard to just eat one *tipi di baci quali baci ci sono e il loro vero significato* - Jul 05 2022

web sep 4 2023 non tutti però sanno che esistono moltissimi tipi di baci da quelli passionali a quelli più candidi e innocenti ognuno adatto a situazioni e relazioni diverse e in possesso di un preciso significato

*traduction de baci a tutti e due en français reverso context* - Jan 31 2022

web traduction de baci a tutti e due en français baci a tutti e due amal bons baisers à tous les deux suggérer un exemple plus de résultats due baci sono stati tutta la nostra relazione notre relation n a été faite que de deux baisers en tout et pour tout cosa significano tutti questi baci se i tuoi baci non sono per me

*baci a tutti traduction en français reverso context* - Apr 14 2023

web traductions en contexte de baci a tutti en italien français avec reverso context baci a tutti e due amal

[translate un bacio a tutti voi from italian to french mymemory](#) - May 03 2022

web contextual translation of un bacio a tutti voi from italian into french examples translated by humans a plus tard embrasse papa un gros bisou bisous à emma

**a look back at south africa under apartheid twenty five years** - Dec 07 2022

web oct 15 2015 there are few words more closely associated with 20th century south african history than apartheid the afrikaans word for apartness that describes the nation's official system of racial

*a history of apartheid in south africa* - May 12 2023

web may 6 2016 translated from the afrikaans meaning apartness apartheid was the ideology supported by the national party np government and was introduced in south africa in 1948 apartheid called for the separate development of the different racial groups in south africa

*nelson mandela biography life education apartheid death* - Apr 30 2022

web sep 9 2023 nelson mandela black nationalist antiapartheid activist and the first black president of south africa 1994-99 his negotiations in the early 1990s with south african president f w de klerk helped end the country's apartheid system of racial segregation

apartheid wikipedia - Jun 13 2023

web india had become a republic within the commonwealth in 1950 but it became clear that african and south and southeast asian member states would oppose south africa due to its apartheid policies as a result south africa withdrew from the commonwealth on 31 may 1961 the day that the republic came into existence united nations

**a summary of south african apartheid thoughtco** - Mar 30 2022

web mar 21 2021 apartheid officially became a way of life in south africa in 1948 when the afrikaner national party came into power after heavily promoting the racially stratified system in afrikaans apartheid means apartness or separateness more than 300 laws led to apartheid's establishment in south africa

**apartheid facts britannica** - Sep 04 2022

web apartheid in south africa policy that governed relations between the white minority and nonwhite majority during the 20th century it sanctioned racial segregation and political and economic discrimination against nonwhites learn more about apartheid in this article

**apartheid summary britannica** - Jan 08 2023

web apartheid afrikaans apartness or separateness policy of racial segregation and political and economic discrimination against non-european groups in south africa the term was first used as the name of the official policy of the national party in 1948 though racial segregation sanctioned by law was already widely practiced

nelson mandela wikipedia - Jan 28 2022

web nelson rolihlahla mandela m æ n ' d ε l ə xhosa xolihla mandela born rolihlahla mandela 18 july 1918 5 december 2013 was a south african anti-apartheid activist and politician who served as the first president of south africa from 1994 to 1999

he was the country's first black head of state and the first elected in a fully representative democratic

**south africa has made progress but deprivation still bears apartheid** - Jul 02 2022

web oct 31 2016 investment to improve equity the south african government has invested significant effort in improving equity interestingly the earliest reforms predated the official end of apartheid in the

**apartheid in south africa history start end meaning facts** - Feb 09 2023

web may 17 2021 what is apartheid and what does apartheid mean an afrikaans word for separation literally separateness apartheid was used to describe the discriminatory political and economic system of racial segregation which the

when did apartheid end and how thoughtco - Feb 26 2022

web may 17 2022 robert longley updated on may 17 2022 apartheid from an afrikaans word meaning apart hood refers to a set of laws enacted in south africa in 1948 intended to ensure the strict racial segregation of south african society and the dominance of the afrikaans speaking white minority

*what is the apartheid era in south african history britannica* - Jun 01 2022

web listen to article the apartheid era in south african history refers to the time that the national party led the country's white minority government from 1948 to 1994

*apartheid in south africa bbc archive* - Mar 10 2023

web the political system of apartheid governed every aspect of life in south africa from 1948 to 1991 in practice apartheid enforced a racial hierarchy privileging white south africans and under

*deadly johannesburg fire exposes post apartheid south africa s* - Dec 27 2021

web sep 10 2023 deadly johannesburg fire exposes post apartheid south africa's systemic failures slum dwelling where 77 people died reflects many of the things that have gone wrong in the country and wider

*apartheid south africa definition facts beginning end* - Aug 15 2023

web sep 8 2023 apartheid in south africa policy that governed relations between the white minority and nonwhite majority during the 20th century it sanctioned racial segregation and political and economic discrimination against nonwhites learn more about apartheid in

**the harsh reality of life under apartheid in south africa** - Apr 11 2023

web apr 26 2019 apartheid afrikaans for apartness kept the country's majority black population under the thumb of a small white minority it would take decades of struggle to stop the policy which affected

**what was apartheid in south africa thoughtco** - Aug 03 2022

web sep 2 2018 apartheid is an afrikaans word that means separation it is the name given to the particular racial social ideology developed in south africa during the twentieth century at its core apartheid was all about racial segregation

apartheid ended 29 years ago how has south africa changed - Oct 05 2022

web apr 26 2019 news apartheid ended 29 years ago how has south africa changed the first generation to grow up without government sanctioned segregation and economic restrictions reveals a country

**apartheid definition south africa history** - Jul 14 2023

web oct 7 2010 apartheid or apartness in the language of afrikaans was a system of legislation that upheld segregation against non white citizens of south africa after the national party gained power

*how nelson mandela fought apartheid and why his work is not* - Nov 06 2022

web jul 17 2020 eventually south africa became an international pariah in 1990 in response to international pressure and the threat of civil war south africa s new president f w de klerk pledged to end