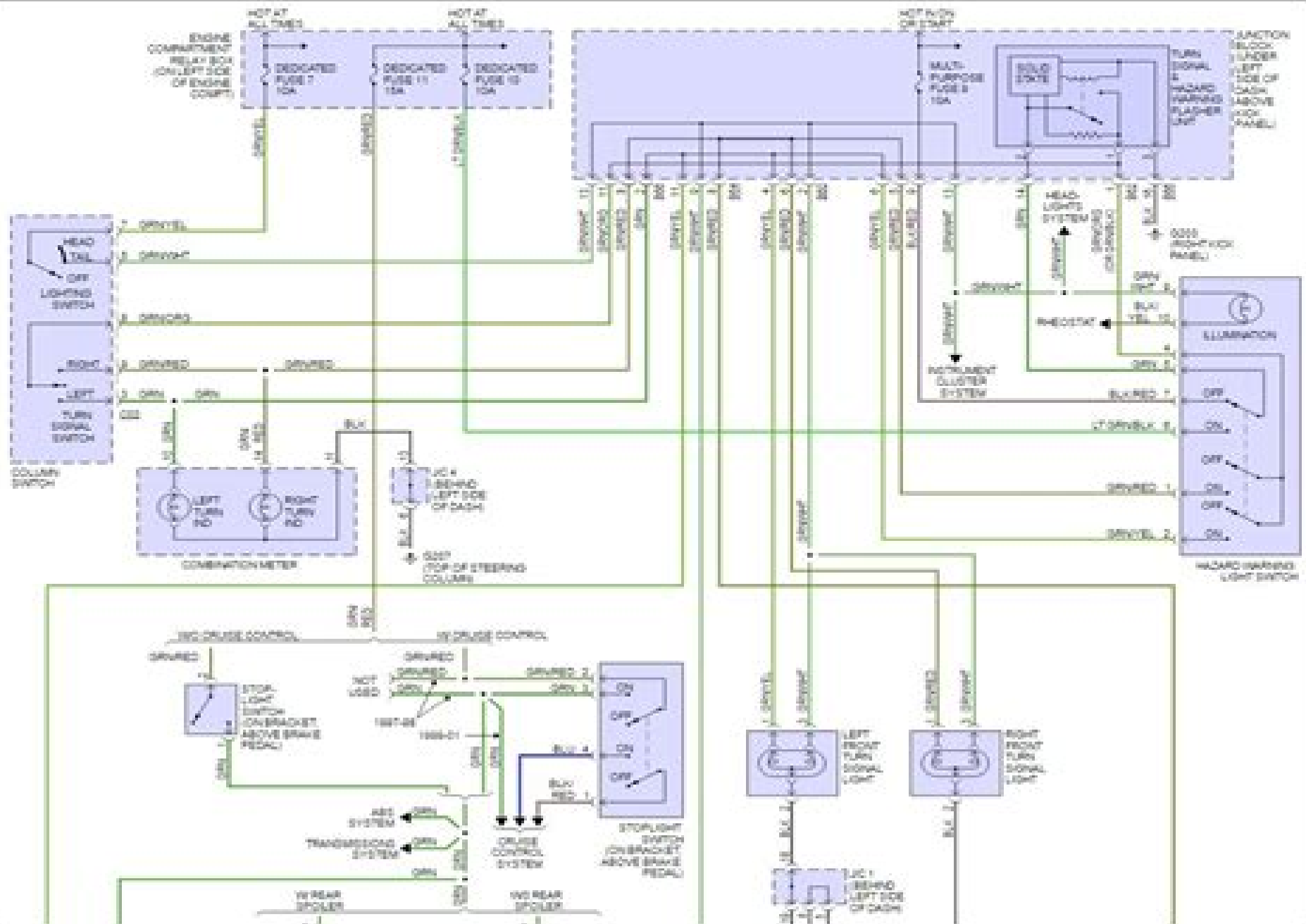


Fig 2: Exterior Lamps Circuit



Mitsubishi Mirage 1986 System Wiring Diagrams

Mike Jess



Mitsubishi Mirage 1986 System Wiring Diagrams:

Ignite the flame of optimism with is motivational masterpiece, Fuel Your Spirit with **Mitsubishi Mirage 1986 System Wiring Diagrams** . In a downloadable PDF format (Download in PDF: *), this ebook is a beacon of encouragement. Download now and let the words propel you towards a brighter, more motivated tomorrow.

https://staging.conocer.cide.edu/data/Resources/fetch.php/Faith_Of_Our_Families.pdf

Table of Contents Mitsubishi Mirage 1986 System Wiring Diagrams

1. Understanding the eBook Mitsubishi Mirage 1986 System Wiring Diagrams
 - The Rise of Digital Reading Mitsubishi Mirage 1986 System Wiring Diagrams
 - Advantages of eBooks Over Traditional Books
2. Identifying Mitsubishi Mirage 1986 System Wiring Diagrams
 - Exploring Different Genres
 - Considering Fiction vs. Non-Fiction
 - Determining Your Reading Goals
3. Choosing the Right eBook Platform
 - Popular eBook Platforms
 - Features to Look for in an Mitsubishi Mirage 1986 System Wiring Diagrams
 - User-Friendly Interface
4. Exploring eBook Recommendations from Mitsubishi Mirage 1986 System Wiring Diagrams
 - Personalized Recommendations
 - Mitsubishi Mirage 1986 System Wiring Diagrams User Reviews and Ratings
 - Mitsubishi Mirage 1986 System Wiring Diagrams and Bestseller Lists
5. Accessing Mitsubishi Mirage 1986 System Wiring Diagrams Free and Paid eBooks
 - Mitsubishi Mirage 1986 System Wiring Diagrams Public Domain eBooks
 - Mitsubishi Mirage 1986 System Wiring Diagrams eBook Subscription Services
 - Mitsubishi Mirage 1986 System Wiring Diagrams Budget-Friendly Options
6. Navigating Mitsubishi Mirage 1986 System Wiring Diagrams eBook Formats

- ePub, PDF, MOBI, and More
 - Mitsubishi Mirage 1986 System Wiring Diagrams Compatibility with Devices
 - Mitsubishi Mirage 1986 System Wiring Diagrams Enhanced eBook Features
7. Enhancing Your Reading Experience
 - Adjustable Fonts and Text Sizes of Mitsubishi Mirage 1986 System Wiring Diagrams
 - Highlighting and Note-Taking Mitsubishi Mirage 1986 System Wiring Diagrams
 - Interactive Elements Mitsubishi Mirage 1986 System Wiring Diagrams
 8. Staying Engaged with Mitsubishi Mirage 1986 System Wiring Diagrams
 - Joining Online Reading Communities
 - Participating in Virtual Book Clubs
 - Following Authors and Publishers Mitsubishi Mirage 1986 System Wiring Diagrams
 9. Balancing eBooks and Physical Books Mitsubishi Mirage 1986 System Wiring Diagrams
 - Benefits of a Digital Library
 - Creating a Diverse Reading Collection Mitsubishi Mirage 1986 System Wiring Diagrams
 10. Overcoming Reading Challenges
 - Dealing with Digital Eye Strain
 - Minimizing Distractions
 - Managing Screen Time
 11. Cultivating a Reading Routine Mitsubishi Mirage 1986 System Wiring Diagrams
 - Setting Reading Goals Mitsubishi Mirage 1986 System Wiring Diagrams
 - Carving Out Dedicated Reading Time
 12. Sourcing Reliable Information of Mitsubishi Mirage 1986 System Wiring Diagrams
 - Fact-Checking eBook Content of Mitsubishi Mirage 1986 System Wiring Diagrams
 - Distinguishing Credible Sources
 13. Promoting Lifelong Learning
 - Utilizing eBooks for Skill Development
 - Exploring Educational eBooks
 14. Embracing eBook Trends
 - Integration of Multimedia Elements
 - Interactive and Gamified eBooks

Mitsubishi Mirage 1986 System Wiring Diagrams Introduction

In today's digital age, the availability of Mitsubishi Mirage 1986 System Wiring Diagrams books and manuals for download has revolutionized the way we access information. Gone are the days of physically flipping through pages and carrying heavy textbooks or manuals. With just a few clicks, we can now access a wealth of knowledge from the comfort of our own homes or on the go. This article will explore the advantages of Mitsubishi Mirage 1986 System Wiring Diagrams books and manuals for download, along with some popular platforms that offer these resources. One of the significant advantages of Mitsubishi Mirage 1986 System Wiring Diagrams books and manuals for download is the cost-saving aspect. Traditional books and manuals can be costly, especially if you need to purchase several of them for educational or professional purposes. By accessing Mitsubishi Mirage 1986 System Wiring Diagrams versions, you eliminate the need to spend money on physical copies. This not only saves you money but also reduces the environmental impact associated with book production and transportation. Furthermore, Mitsubishi Mirage 1986 System Wiring Diagrams books and manuals for download are incredibly convenient. With just a computer or smartphone and an internet connection, you can access a vast library of resources on any subject imaginable. Whether you're a student looking for textbooks, a professional seeking industry-specific manuals, or someone interested in self-improvement, these digital resources provide an efficient and accessible means of acquiring knowledge. Moreover, PDF books and manuals offer a range of benefits compared to other digital formats. PDF files are designed to retain their formatting regardless of the device used to open them. This ensures that the content appears exactly as intended by the author, with no loss of formatting or missing graphics. Additionally, PDF files can be easily annotated, bookmarked, and searched for specific terms, making them highly practical for studying or referencing. When it comes to accessing Mitsubishi Mirage 1986 System Wiring Diagrams books and manuals, several platforms offer an extensive collection of resources. One such platform is Project Gutenberg, a nonprofit organization that provides over 60,000 free eBooks. These books are primarily in the public domain, meaning they can be freely distributed and downloaded. Project Gutenberg offers a wide range of classic literature, making it an excellent resource for literature enthusiasts. Another popular platform for Mitsubishi Mirage 1986 System Wiring Diagrams books and manuals is Open Library. Open Library is an initiative of the Internet Archive, a non-profit organization dedicated to digitizing cultural artifacts and making them accessible to the public. Open Library hosts millions of books, including both public domain works and contemporary titles. It also allows users to borrow digital copies of certain books for a limited period, similar to a library lending system. Additionally, many universities and educational institutions have their own digital libraries that provide free access to PDF books and manuals. These libraries often offer academic texts, research papers, and technical manuals, making them invaluable resources for students and researchers. Some notable examples include MIT OpenCourseWare, which offers free access to course materials from the Massachusetts Institute of Technology, and the Digital Public Library of America, which

provides a vast collection of digitized books and historical documents. In conclusion, Mitsubishi Mirage 1986 System Wiring Diagrams books and manuals for download have transformed the way we access information. They provide a cost-effective and convenient means of acquiring knowledge, offering the ability to access a vast library of resources at our fingertips. With platforms like Project Gutenberg, Open Library, and various digital libraries offered by educational institutions, we have access to an ever-expanding collection of books and manuals. Whether for educational, professional, or personal purposes, these digital resources serve as valuable tools for continuous learning and self-improvement. So why not take advantage of the vast world of Mitsubishi Mirage 1986 System Wiring Diagrams books and manuals for download and embark on your journey of knowledge?

FAQs About Mitsubishi Mirage 1986 System Wiring Diagrams Books

What is a Mitsubishi Mirage 1986 System Wiring Diagrams PDF? A PDF (Portable Document Format) is a file format developed by Adobe that preserves the layout and formatting of a document, regardless of the software, hardware, or operating system used to view or print it. **How do I create a Mitsubishi Mirage 1986 System Wiring Diagrams PDF?** There are several ways to create a PDF: Use software like Adobe Acrobat, Microsoft Word, or Google Docs, which often have built-in PDF creation tools. Print to PDF: Many applications and operating systems have a "Print to PDF" option that allows you to save a document as a PDF file instead of printing it on paper. Online converters: There are various online tools that can convert different file types to PDF. **How do I edit a Mitsubishi Mirage 1986 System Wiring Diagrams PDF?** Editing a PDF can be done with software like Adobe Acrobat, which allows direct editing of text, images, and other elements within the PDF. Some free tools, like PDFescape or Smallpdf, also offer basic editing capabilities. **How do I convert a Mitsubishi Mirage 1986 System Wiring Diagrams PDF to another file format?** There are multiple ways to convert a PDF to another format: Use online converters like Smallpdf, Zamzar, or Adobe Acrobats export feature to convert PDFs to formats like Word, Excel, JPEG, etc. Software like Adobe Acrobat, Microsoft Word, or other PDF editors may have options to export or save PDFs in different formats. **How do I password-protect a Mitsubishi Mirage 1986 System Wiring Diagrams PDF?** Most PDF editing software allows you to add password protection. In Adobe Acrobat, for instance, you can go to "File" -> "Properties" -> "Security" to set a password to restrict access or editing capabilities. Are there any free alternatives to Adobe Acrobat for working with PDFs? Yes, there are many free alternatives for working with PDFs, such as: LibreOffice: Offers PDF editing features. PDFsam: Allows splitting, merging, and editing PDFs. Foxit Reader: Provides basic PDF viewing and editing capabilities. How do I compress a PDF file? You can use online tools like Smallpdf, ILovePDF, or desktop software like Adobe Acrobat to compress PDF files without significant quality loss. Compression reduces the file size, making it easier to

share and download. Can I fill out forms in a PDF file? Yes, most PDF viewers/editors like Adobe Acrobat, Preview (on Mac), or various online tools allow you to fill out forms in PDF files by selecting text fields and entering information. Are there any restrictions when working with PDFs? Some PDFs might have restrictions set by their creator, such as password protection, editing restrictions, or print restrictions. Breaking these restrictions might require specific software or tools, which may or may not be legal depending on the circumstances and local laws.

Find Mitsubishi Mirage 1986 System Wiring Diagrams :

faith of our families

~~factorization and integrable systems summer school in faro portugal september 2000 operator theo~~

~~faculty towers the academic novel and its discontents~~

~~falange the axis secret army in the americas~~

falcons egg

facel vega limited edition extra

faith no more live at the brixton academy

faith god rock n roll

faces at the manger advent-christmas sampler of poems prayers and meditations

fairies colour & craft

faith reason and civilization an essay in historical analysis essay index reprint series

~~face to noface rediscovering our original nature~~

faded dreams the politics and economics of race in america

faithfulness to the gospel

faith and honor

Mitsubishi Mirage 1986 System Wiring Diagrams :

java programming farrell joyce amazon sg books - Aug 13 2023

web discover the power of java for developing applications today with the engaging hands on approach in farrell s java programming 10th edition even if you re a first time programmer java programming can show you step by step how to quickly start developing useful programs all while mastering the basic principles of structured and

java programming mindtap course list amazon com - Jun 30 2022

web aug 15 2022 discover the power of java for developing applications with the engaging hands on approach in farrell s java programming 8e with this book even first

java programming farrell joyce 9781337397070 - Nov 04 2022

web jan 29 2009 joyce farrell has authored several popular programming textbooks including books on programming logic and design java c and c her books are

java programming farrell joyce 9781285081953 - Apr 28 2022

web creating java programs using data using methods classes and objects more object concepts making decisions looping characters strings and the

java programming joyce farrell google books - Apr 09 2023

web joyce farrell has authored several popular programming textbooks including books on programming logic and design java c and c her books are recognized for their

java programming joyce farrell google books - Oct 03 2022

web jan 23 2015 discover the power of java for developing applications with the engaging hands on approach in farrell s java programming 8e with this book even first

java programming 9th edition by joyce farrell open library - Feb 24 2022

web sep 1 2002 java programming joyce farrell 3 77 79 ratings5 reviews java programming fifth edition provides the beginning programmer with a guide to

java programming joyce farrell google books - Jan 06 2023

web mar 8 2018 about the author 2018 joyce farrell has authored several popular programming textbooks including books on programming logic and design java

java programming farrell joyce 9781285856919 - Sep 02 2022

web aug 15 2022 discover the power of java for developing applications today with the engaging hands on approach in farrell s java programming 10th edition even if

amazon com java programming 9781337397070 farrell - Oct 15 2023

web mar 20 2018 discover the power of java for developing applications today when you trust the engaging hands on approach in farrell s java programming 9e even if

java programming by joyce farrell goodreads - Jan 26 2022

web java programming ninth edition provides the beginning programmer with a guide to developing applications using the java programming language java is popular among

java programming farrell joyce free download borrow and - Mar 28 2022

web mar 20 2023 java programming 9th edition by joyce farrell 2019 cengage learning edition paperback in english
java programming joyce farrell google books - Dec 05 2022

web mar 20 2018 discover the power of java for developing applications today when you trust the engaging hands on approach in farrell s java programming 9e even if

java programming joyce farrell google books - Jul 12 2023

web may 6 2022 joyce farrell cengage learning may 6 2022 computers 896 pages introduce your beginning programmers to java with farrell s java programming

ae java programming cengage asia - Mar 08 2023

web mindtap for farrell s java programming 9th edition provides the beginning programmer with a guide to developing applications using the java programming language with

java programming farrell joyce amazon sg books - Jun 11 2023

web discover the power of java for developing applications with the engaging hands on approach in farrell s java programming 8e with this book even first time

java programming joyce farrell google books - Sep 14 2023

web jan 20 2015 java programming joyce farrell cengage learning jan 20 2015 computers 976 pages introduce your beginning programmers to the power of java

java programming 9th edition 9781337397070 cengage - Feb 07 2023

web java programming joyce farrell course technology 2003 java computer program language 695 pages java programming second edition is written and designed

download java programming by joyce farrell zlib pub - Dec 25 2021

web apr 28 2018 product details discover the power of java for developing applications today when you trust the engaging hands on approach in farrell s java

java programming 10th edition by joyce farrell booktopia - Aug 01 2022

web aug 15 2022 discover the power of java for developing applications today with the engaging hands on approach in farrell s java programming 10th edition even if you re a first time programmer java programming can show you step by step how to quickly start developing useful programs all while mastering the basic principles of

java programming 9th edition by joyce farrell booktopia - Nov 23 2021

java programming 9th edition 9781337397070 - May 10 2023

web aug 15 2022 about the author 2022 joyce farrell has authored several popular programming textbooks including books

on programming logic and design java

java programming by joyce farrell paperback barnes noble - May 30 2022

web there is a newer edition of this item java programming loose leaf version 196 65 2 only 1 left in stock give your beginning programmers a thorough engaging and hands on introduction to developing applications with farrell s java programming 7e this complete guide provides the details and real world exercises today s readers need to

polymer science gowariker v r 9780852263075 - Apr 15 2021

lsu chemistry alum hopes to solve environmental challenges - Jun 17 2021

polymer science gowariker v r vasant r 1933 - Oct 14 2023

web polymer science vasant r gowariker n v viswanathan jayadev sreedhar new age international 1986 polymerization 505 pages

polymer science gowariker 9788122438130 amazon com books - Apr 08 2023

web jan 1 1986 3 91 34 ratings2 reviews offers basic coverage of the chemistry physics and techniques of polymer science while avoiding detailed mathematics it presents

download polymer science by v r gowariker n v - Aug 12 2023

web it is an advanced book only covering polymers their chemistry and their physical and chemical properties

polymer science gowariker v r amazon in books - Jul 11 2023

web polymer science vasant gowariker wiley dec 16 1986 technology engineering 505 pages offers basic coverage of the chemistry physics and techniques of polymer

chemists image basic blocks of synthetic polymers sciencedaily - Aug 20 2021

web polymer chemistry sem vi dr ashesh garai v r gowariker former secretary department of science technology new delhi was a visiting scholar at stanford

polymer chemistry wikipedia - Mar 27 2022

web nov 6 2023 xue hui dong graduated with a b s degree in polymer chemistry from university of science and technology of china ustc in 2008 he joined department of

polymer chemistry home the home for the most innovative and - Jul 31 2022

web polymer chemistry gowariker ion exchange resins and adsorbents in chemical processing sep 21 2021 this book discusses various examples on the use of ion

alkyne substituted deoxybenzoins as precursors to - Oct 22 2021

web nov 9 2023 more information rong ye et al optical sequencing of single synthetic polymers nature chemistry 2023 doi 10 1038 s41557 023 01363 2 journal

polymer science vasant gowariker n v viswanathan - Jun 10 2023

web bibliographic information title polymer science author v r gowariker publisher new age international pvt 2015 isbn 812243813x 9788122438130

polymer science gowariker v r viswanathan n v sreedhar - May 29 2022

web polymer science gowariker polymer science sebastião v canevarolo jr 2019 11 11 this is an introductory textbook on polymer science aimed at lecturers professors

buy polymer science book online at low prices in india - May 17 2021

polymer science gowariker university of rhode island - Feb 23 2022

web nov 13 2023 polymer chemistry chemical recycling of co2 based polycarbonates to sulfur containing polymers finally the ring opening polymerization of propylene

polymer science gowariker pdf cyberlab sutd edu sg - Jan 25 2022

web nov 13 2023 we report the synthesis and characterization of novel alkyne substituted deoxybenzoin that are setup for azide alkyne cycloaddition chemistry to yield

polymer science by v r gowariker goodreads - Feb 06 2023

web polymer science v r gowariker n v viswanathan and jayadev sreedhar halsted press john wiley sons new york 1986 pp xv 505 price 38 50 isbn

chemists image basic blocks of synthetic polymers phys org - Jul 19 2021

web jan 1 1986 polymer science gowariker v r v r gowariker brief content visible double tap to read full content the explanation and description about the topics in

polymer science v r gowariker google books - May 09 2023

web jan 1 2015 topics include foundation chemistry weight size chemical and geochemical structure of polymer molecules crystallinity in polymers co polymers and polymer

polymer science v r gowariker n v wiley online library - Nov 03 2022

web the home for the most innovative and exciting polymer chemistry with an emphasis on the synthesis and applications of polymers editor in chief christopher barner kowollik

polymer science gowariker pdf free 11 pdf pdf scribd - Jun 29 2022

web polymer chemistry is a sub discipline of chemistry that focuses on the structures of chemicals chemical synthesis and

chemical and physical properties of polymers and

polymer chemistry gowariker cyberlab sutd edu sg - Apr 27 2022

web polymer science gowariker polymer science jan 20 2023 cumulative book index feb 26 2021 a world list of books in the english language applied chemistry a textbook

polymer science pdf scribd - Oct 02 2022

web polymer science book by gowariker pdf polymer the book presents both the current state of polymer science and technology and emerging advances in the field

flow synthesis of conjugated polymers exploring the effects of - Sep 20 2021

web nov 13 2023 chatterjee is now an assistant professor at murray state university and is interested in developing advanced polymer materials for clean energy storage carbon

buy polymer science book online at low prices in india - Dec 04 2022

web this third edition of the classic best selling polymer science textbook surveys theory and practice of all major phases of polymer science engineering and technology including

polymer science vasant r gowariker n v viswanathan - Sep 13 2023

web polymer science author v r gowariker n v vishwanathan jayadev shreedhar category chemistry organic chemistry language english isbn 0852263074 year

polymer chemistry gowariker 2023 - Sep 01 2022

web topics dealing with chemistry physics and technology of polymers v r gowariker former secretary department of science technology new delhi was a visiting

chemical recycling of co2 based polycarbonates to sulfur - Nov 22 2021

web 2 days ago chemists image basic blocks of synthetic polymers researchers have developed a new method to image polymerization catalysis reactions one monomer at a

special issue rising stars in polymer science 2023 - Dec 24 2021

web nov 8 2023 here a conjugated polymer ptb7 was synthesized in a customized flow reactor under various catalyst and solvent combinations and their effect on molecular

polymer science by vasant r gowariker goodreads - Mar 07 2023

web buy polymer science book online at low prices in india polymer science reviews ratings amazon in 15 15 13 books higher education textbooks science

buy polymer science book online at low prices in - Jan 05 2023

web such a combination some day must have triggered off the most intriguing and fascinating process called life the material

basis for whose origin was a polymer this polymer

[hino motors w04d manuals manualslib](#) - Sep 05 2023

web diesel engine for marine use workshop manual w04d w04c t wo04c ti hino motors ltd foreword procedures on hino marine engine this workshop

[hino rb145 manuals owners workshop parts electrical](#) - Dec 28 2022

web wo4d hino motors ltd fforeword this workshop manual has been prepared to provide information covering repair procedures on hino vehicle applicable models wo4c t

hino diesel manual w04d pdf pdf scribd - Aug 04 2023

web wo4d hino motors ltd foreword this workshop manual has been prepared to provide information covering repair procedures on hino vehicle applicable models wo4c t

hino truck service manuals fault codes and wiring diagrams - Jun 21 2022

web hino motors w04d workshop manuallink download dhtauto com dht threads hino motors w04d workshop manual 67705 contact us m dhtauto com gmail comwe w

[hino motors w04d workshop manual youtube](#) - Apr 19 2022

web in order to improve a naturally aspirated na compression ignition ci engine operating on biodiesel fuel this research proposes a guide vane swirl and tumble device gvstd

hino wo4d diesel engine additional information - Jul 23 2022

web hino rb145 motors workshop manual wo4d w04c t pdf contains help for troubleshooting and will support you how to fix your problems immediately perfect for all diy persons your

[hino rb145 motors wo4d w04c t workshop manual](#) - Feb 27 2023

web created date 9 16 2007 8 26 29 pm

hino wo4d service manual manualmachine com - Nov 26 2022

web hino four cylinders engines w04d diesel engine for marine use 4 009 liter 4 cyc 4 cyl water cooled so 40 max output sae j1349 gross 200 so 30 300

a technical specification of engine model hino w04d b - Feb 15 2022

[hino engine w04d tr workshop manual autoepc4you com](#) - Jan 29 2023

web view and download hino wo4d instruction manual online

hino rb145 motors workshop manual wo4d w04c t - Aug 24 2022

web hino is the first company in the world to launch mass production line of electric hybrid diesel bus thus taking the leading

position in the field of hybrid system application hino

manuals for hino diesel engines marine diesel - May 01 2023

web hino trucks hino rb145 motors w04d w04c t workshop manual hino rb145 motors w04d w04c t workshop manual hino rb145 motors workshop manual w04d w04c

hino truck service manuals fault codes and wiring diagrams - Mar 19 2022

web hino w04d w04c series diesel engine workshop service repair manual download pdf copy this manual is compatible with the following

hino rb145 motors workshop manual w04d w04c t pdf - Jul 03 2023

web owner workshop and parts manuals are important documents that should be part of every vessel s library they contain the detailed information necessary for safe operation

hino rb145 motors workshop manual w04d w04c t news - May 21 2022

web mar 3 2023 hino manual book hino motors w04c t workshop manual hino motors w04c ti workshop manual hino motors w04d workshop manual hino motors w06d

hino w04d w04c series diesel engine workshop - Jan 17 2022

hino rb145 motors workshop manual w04d w04c t pdf - Oct 26 2022

web the hino rb145 motors workshop manual is an essential resource for mechanics and technicians seeking detailed instructions on maintaining and repairing hino rb145

hino four cylinders engines marine diesel basics - Sep 24 2022

web free manuals breathing intake exhaust cooling manuals drive train shaft seals etc electrical manuals engine controls gauges engine manuals fuel system manuals

hino motors w04d workshop manual pdf - Oct 06 2023

web hino motors w04d manuals manuals and user guides for hino motors w04d we have 1 hino motors w04d manual available for free pdf download workshop manual

hino motors w04d workshop manual pdf motor vehicle scribd - Mar 31 2023

web jul 8 2010 hino w04d tr engine workshop manuals hino 300 series s1 lwue01a 0100 chassis foreword eng s1 lwue01a 0200 chassis introduction eng s1

hino service and repair manuals - Jun 02 2023

web hino motors w04d workshop manual free ebook download as pdf file pdf text file txt or read book online for free hino