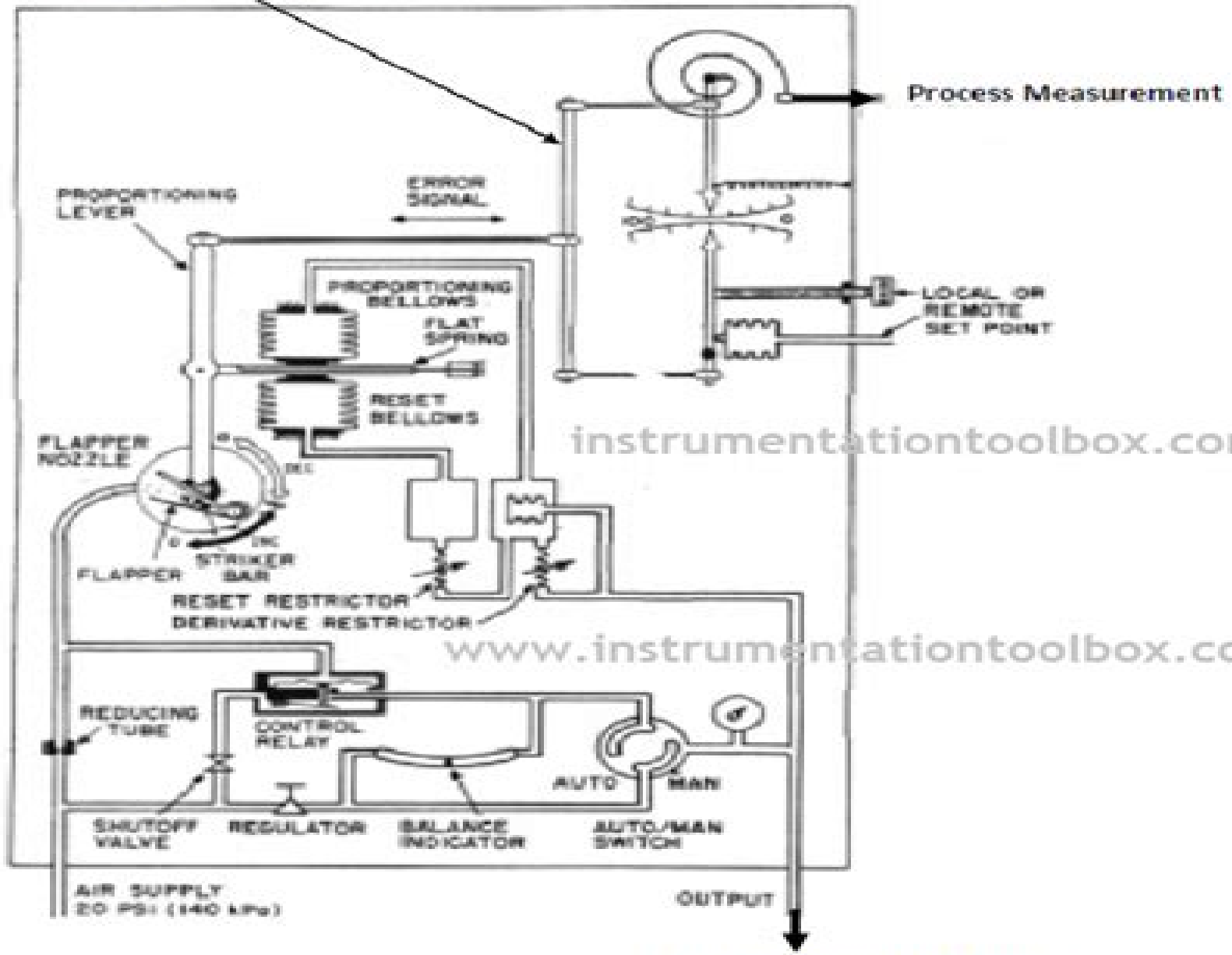


Differential Linkage



instrumentationtoolbox.com

www.instrumentationtoolbox.com

Output to a Control Valve

Foxboro 43apg Controller Manual Instruction

Léo Pomar



Foxboro 43apg Controller Manual Instruction:

This book delves into Foxboro 43apg Controller Manual Instruction. Foxboro 43apg Controller Manual Instruction is a vital topic that needs to be grasped by everyone, ranging from students and scholars to the general public. The book will furnish comprehensive and in-depth insights into Foxboro 43apg Controller Manual Instruction, encompassing both the fundamentals and more intricate discussions.

1. The book is structured into several chapters, namely:
 - Chapter 1: Introduction to Foxboro 43apg Controller Manual Instruction
 - Chapter 2: Essential Elements of Foxboro 43apg Controller Manual Instruction
 - Chapter 3: Foxboro 43apg Controller Manual Instruction in Everyday Life
 - Chapter 4: Foxboro 43apg Controller Manual Instruction in Specific Contexts
 - Chapter 5: Conclusion
 2. In chapter 1, this book will provide an overview of Foxboro 43apg Controller Manual Instruction. This chapter will explore what Foxboro 43apg Controller Manual Instruction is, why Foxboro 43apg Controller Manual Instruction is vital, and how to effectively learn about Foxboro 43apg Controller Manual Instruction.
 3. In chapter 2, this book will delve into the foundational concepts of Foxboro 43apg Controller Manual Instruction. The second chapter will elucidate the essential principles that need to be understood to grasp Foxboro 43apg Controller Manual Instruction in its entirety.
 4. In chapter 3, this book will examine the practical applications of Foxboro 43apg Controller Manual Instruction in daily life. The third chapter will showcase real-world examples of how Foxboro 43apg Controller Manual Instruction can be effectively utilized in everyday scenarios.
 5. In chapter 4, the author will scrutinize the relevance of Foxboro 43apg Controller Manual Instruction in specific contexts. This chapter will explore how Foxboro 43apg Controller Manual Instruction is applied in specialized fields, such as education, business, and technology.
 6. In chapter 5, this book will draw a conclusion about Foxboro 43apg Controller Manual Instruction. This chapter will summarize the key points that have been discussed throughout the book.
- This book is crafted in an easy-to-understand language and is complemented by engaging illustrations. It is highly recommended for anyone seeking to gain a comprehensive understanding of Foxboro 43apg Controller Manual Instruction.

https://staging.conocer.cide.edu/files/publication/Documents/Geometric_Constraint_Solving_And_Applications.pdf

Table of Contents Foxboro 43apg Controller Manual Instruction

1. Understanding the eBook Foxboro 43apg Controller Manual Instruction
 - The Rise of Digital Reading Foxboro 43apg Controller Manual Instruction
 - Advantages of eBooks Over Traditional Books
2. Identifying Foxboro 43apg Controller Manual Instruction
 - Exploring Different Genres
 - Considering Fiction vs. Non-Fiction
 - Determining Your Reading Goals
3. Choosing the Right eBook Platform
 - Popular eBook Platforms
 - Features to Look for in an Foxboro 43apg Controller Manual Instruction
 - User-Friendly Interface
4. Exploring eBook Recommendations from Foxboro 43apg Controller Manual Instruction
 - Personalized Recommendations
 - Foxboro 43apg Controller Manual Instruction User Reviews and Ratings
 - Foxboro 43apg Controller Manual Instruction and Bestseller Lists
5. Accessing Foxboro 43apg Controller Manual Instruction Free and Paid eBooks
 - Foxboro 43apg Controller Manual Instruction Public Domain eBooks
 - Foxboro 43apg Controller Manual Instruction eBook Subscription Services
 - Foxboro 43apg Controller Manual Instruction Budget-Friendly Options
6. Navigating Foxboro 43apg Controller Manual Instruction eBook Formats
 - ePub, PDF, MOBI, and More
 - Foxboro 43apg Controller Manual Instruction Compatibility with Devices
 - Foxboro 43apg Controller Manual Instruction Enhanced eBook Features
7. Enhancing Your Reading Experience
 - Adjustable Fonts and Text Sizes of Foxboro 43apg Controller Manual Instruction
 - Highlighting and Note-Taking Foxboro 43apg Controller Manual Instruction
 - Interactive Elements Foxboro 43apg Controller Manual Instruction

8. Staying Engaged with Foxboro 43apg Controller Manual Instruction
 - Joining Online Reading Communities
 - Participating in Virtual Book Clubs
 - Following Authors and Publishers Foxboro 43apg Controller Manual Instruction
9. Balancing eBooks and Physical Books Foxboro 43apg Controller Manual Instruction
 - Benefits of a Digital Library
 - Creating a Diverse Reading Collection Foxboro 43apg Controller Manual Instruction
10. Overcoming Reading Challenges
 - Dealing with Digital Eye Strain
 - Minimizing Distractions
 - Managing Screen Time
11. Cultivating a Reading Routine Foxboro 43apg Controller Manual Instruction
 - Setting Reading Goals Foxboro 43apg Controller Manual Instruction
 - Carving Out Dedicated Reading Time
12. Sourcing Reliable Information of Foxboro 43apg Controller Manual Instruction
 - Fact-Checking eBook Content of Foxboro 43apg Controller Manual Instruction
 - Distinguishing Credible Sources
13. Promoting Lifelong Learning
 - Utilizing eBooks for Skill Development
 - Exploring Educational eBooks
14. Embracing eBook Trends
 - Integration of Multimedia Elements
 - Interactive and Gamified eBooks

Foxboro 43apg Controller Manual Instruction Introduction

In this digital age, the convenience of accessing information at our fingertips has become a necessity. Whether its research papers, eBooks, or user manuals, PDF files have become the preferred format for sharing and reading documents. However, the cost associated with purchasing PDF files can sometimes be a barrier for many individuals and organizations. Thankfully, there are numerous websites and platforms that allow users to download free PDF files legally. In this article, we will explore some of the best platforms to download free PDFs. One of the most popular platforms to download free PDF files is Project

Gutenberg. This online library offers over 60,000 free eBooks that are in the public domain. From classic literature to historical documents, Project Gutenberg provides a wide range of PDF files that can be downloaded and enjoyed on various devices. The website is user-friendly and allows users to search for specific titles or browse through different categories. Another reliable platform for downloading Foxboro 43apg Controller Manual Instruction free PDF files is Open Library. With its vast collection of over 1 million eBooks, Open Library has something for every reader. The website offers a seamless experience by providing options to borrow or download PDF files. Users simply need to create a free account to access this treasure trove of knowledge. Open Library also allows users to contribute by uploading and sharing their own PDF files, making it a collaborative platform for book enthusiasts. For those interested in academic resources, there are websites dedicated to providing free PDFs of research papers and scientific articles. One such website is Academia.edu, which allows researchers and scholars to share their work with a global audience. Users can download PDF files of research papers, theses, and dissertations covering a wide range of subjects. Academia.edu also provides a platform for discussions and networking within the academic community. When it comes to downloading Foxboro 43apg Controller Manual Instruction free PDF files of magazines, brochures, and catalogs, Issuu is a popular choice. This digital publishing platform hosts a vast collection of publications from around the world. Users can search for specific titles or explore various categories and genres. Issuu offers a seamless reading experience with its user-friendly interface and allows users to download PDF files for offline reading. Apart from dedicated platforms, search engines also play a crucial role in finding free PDF files. Google, for instance, has an advanced search feature that allows users to filter results by file type. By specifying the file type as "PDF," users can find websites that offer free PDF downloads on a specific topic. While downloading Foxboro 43apg Controller Manual Instruction free PDF files is convenient, it's important to note that copyright laws must be respected. Always ensure that the PDF files you download are legally available for free. Many authors and publishers voluntarily provide free PDF versions of their work, but it's essential to be cautious and verify the authenticity of the source before downloading Foxboro 43apg Controller Manual Instruction. In conclusion, the internet offers numerous platforms and websites that allow users to download free PDF files legally. Whether it's classic literature, research papers, or magazines, there is something for everyone. The platforms mentioned in this article, such as Project Gutenberg, Open Library, Academia.edu, and Issuu, provide access to a vast collection of PDF files. However, users should always be cautious and verify the legality of the source before downloading Foxboro 43apg Controller Manual Instruction any PDF files. With these platforms, the world of PDF downloads is just a click away.

FAQs About Foxboro 43apg Controller Manual Instruction Books

1. Where can I buy Foxboro 43apg Controller Manual Instruction books? Bookstores: Physical bookstores like Barnes & Noble, Waterstones, and independent local stores. Online Retailers: Amazon, Book Depository, and various online bookstores offer a wide range of books in physical and digital formats.
2. What are the different book formats available? Hardcover: Sturdy and durable, usually more expensive. Paperback: Cheaper, lighter, and more portable than hardcovers. E-books: Digital books available for e-readers like Kindle or software like Apple Books, Kindle, and Google Play Books.
3. How do I choose a Foxboro 43apg Controller Manual Instruction book to read? Genres: Consider the genre you enjoy (fiction, non-fiction, mystery, sci-fi, etc.). Recommendations: Ask friends, join book clubs, or explore online reviews and recommendations. Author: If you like a particular author, you might enjoy more of their work.
4. How do I take care of Foxboro 43apg Controller Manual Instruction books? Storage: Keep them away from direct sunlight and in a dry environment. Handling: Avoid folding pages, use bookmarks, and handle them with clean hands. Cleaning: Gently dust the covers and pages occasionally.
5. Can I borrow books without buying them? Public Libraries: Local libraries offer a wide range of books for borrowing. Book Swaps: Community book exchanges or online platforms where people exchange books.
6. How can I track my reading progress or manage my book collection? Book Tracking Apps: Goodreads, LibraryThing, and Book Catalogue are popular apps for tracking your reading progress and managing book collections. Spreadsheets: You can create your own spreadsheet to track books read, ratings, and other details.
7. What are Foxboro 43apg Controller Manual Instruction audiobooks, and where can I find them? Audiobooks: Audio recordings of books, perfect for listening while commuting or multitasking. Platforms: Audible, LibriVox, and Google Play Books offer a wide selection of audiobooks.
8. How do I support authors or the book industry? Buy Books: Purchase books from authors or independent bookstores. Reviews: Leave reviews on platforms like Goodreads or Amazon. Promotion: Share your favorite books on social media or recommend them to friends.
9. Are there book clubs or reading communities I can join? Local Clubs: Check for local book clubs in libraries or community centers. Online Communities: Platforms like Goodreads have virtual book clubs and discussion groups.
10. Can I read Foxboro 43apg Controller Manual Instruction books for free? Public Domain Books: Many classic books are available for free as they're in the public domain. Free E-books: Some websites offer free e-books legally, like Project Gutenberg or Open Library.

Find Foxboro 43apg Controller Manual Instruction :

geometric constraint solving and applications

[geometry at home grade 5](#)

[geo grafias movimientos sociales nuevas](#)

[genteel tradition at bay](#)

genesis of religion

[genetika genialnosti biosotsialnye mekhanizmy i faktory naivybhei intellektualnoi aktivnosti](#)

[geology for beginners](#)

geological oceanography

geology of the west central part of sout

geologic tours in the las vegas area

[geometric and analytic number theory universitext](#)

geology of the great basin a natural history

[geo year 20045 an overview of our changing environment](#)

[gentleman and a soldier](#)

[geografi med samhallskunskap volume 3](#)

Foxboro 43apg Controller Manual Instruction :

[tshwane north tvet college courses offered fees - Jan 13 2023](#)

web see full fees structure bursaries courses programmes offered by tshwane north tvet college also find detailed tshwane north tvet college application form

tshwane north college course prospectus 2014 2022 - Nov 11 2022

web tshwane north college course prospectus 2014 1 tshwane north college course prospectus 2014 balancing individualism and collectivism administration of training

[tshwane north college course prospectus 2014 - Mar 15 2023](#)

web april 12th 2018 browse and read tshwane north college prospectus for 2014 tshwane north college prospectus for 2014 it sounds good when knowing the

tshwane north college course prospectus 2014 pdf pdf - May 17 2023

web tshwane north college course prospectus 2014 pdf pdf digitalworkgroup skidmore edu created date 9 15 2023 11 21 16

pm

tshwane north college course prospectus 2014 pdf - Jul 19 2023

web apr 4 2023 tshwane north college course prospectus 2014 1 10 downloaded from uniport edu ng on april 4 2023 by guest tshwane north college course prospectus

tshwane north tvet college prospectus 2024 pdf download - Jul 07 2022

web download tshwane north college tnc prospectus 2024 pdf courses outline handbook brochure fees booklet for undergraduate postgraduate certificate distance

faculties Istanbul - Oct 30 2021

web faculty of business administration faculty of political sciences faculty of communication faculty of aquatic sciences faculty of theology faculty of open and distance

tshwane north tvet college prospectus pdf 2024 2025 - Aug 08 2022

web apr 20 2021 tshwane north tvet college prospectus pdf 2024 2025 see details below college overview tshwane north technical and vocational education and

Istanbul university language center - Feb 02 2022

web to learn english and get detailed information about our courses you can visit the tophane branch office of istanbul university language center or contact us at 90 212 243 67

tshwane north college course prospectus 2014 pdf - Sep 21 2023

web may 18 2023 tshwane north college course prospectus 2014 1 10 downloaded from uniport edu ng on may 18 2023 by guest tshwane north college course prospectus

top universities in turkey 2023 university ranking unirank - Nov 30 2021

web find them in our comprehensive list of colleges and universities in asia by country since 2005 with unirank s world universities search engine and rankings you can easily

tshwane north college course prospectus 2014 pdf full pdf - Dec 12 2022

web mar 6 2023 it is your definitely own become old to be in reviewing habit along with guides you could enjoy now is tshwane north college course prospectus 2014 pdf below

tshwane north tvet college prospectus 2024 applicationsa - Apr 04 2022

web the management of the tshwane north tvet college tnc has released the undergraduate and postgraduate 2024 prospectus in pdf format for the prospective

tshwane north college course prospectus 2014 - Oct 10 2022

web mar 4 2023 tshwane north college course prospectus 2014 yeah reviewing a books tshwane north college course

prospectus 2014 could go to your near links listings

tshwane north tvet college prospectus pdf download - Jan 01 2022

web the tshwane north tvet college prospectus 2024 2025 is available in pdf format click below to download the 2024

tshwane north college prospectus if you have any

tshwane north tvet college prospectus 2024 pdf download - Feb 14 2023

web may 2 2023 a prospectus is an informational booklet that provides a detailed look at the tnc courses programs facilities fees admissions requirements and more you will

İstanbul university - Mar 03 2022

web university dates back to the conquest of the city by sultan mehmet ii in 1453 the İstanbul university is among the first ten universities established in europe and now ranks

programmes tshwane north tvet college - Aug 20 2023

web specific college requirements apply passed grade 9 or higher with mathematics physical science utility studies nqf levels 2 4 minimum admission requirements

tshwane north tvet college prospectus 2023 2024 - Sep 09 2022

web jun 11 2021 tshwane north tvet college prospectus 2023 2024 see details below college overview tshwane north technical and vocational education and

tshwane north college course prospectus 2014 pdf - Apr 16 2023

web jul 1 2023 once some harmful virus inside their computer tshwane north college course prospectus 2014 is affable in our digital library an online admission to it is set as public

programme offerings tshwane north tvet college - Jun 18 2023

web national certificate vocational duration admission requirements to obtain a national certificate generic management business studies one year per nqf level for all

newly list of courses offered at tshwane north tvet college - May 05 2022

web official list of tshwane north tvet college courses 2024 available for undergraduate ncv nated certificate engineering diploma degree short courses and distance

tshwane north tvet college prospectus 2024 in pdf - Jun 06 2022

web the 2024 tshwane north tvet college prospectus has been released and uploaded online for potential undergraduate ncv nated certificate diploma engineering and

heriot watt university reservoir simulation 1library - Oct 27 2022

web 1 show more page download now 518 page full text 1 contents 1 what is a simulation model 1 1 a simple example of a

simulation model 1 2 a note on units 2 what is a reservoir simulation model 2 1 the task of reservoir simulation 2 2 what are we trying to do and how complex must our model be 3 field

heriot watt university reservoir simulation part1 pdf - Nov 27 2022

web contents 1 what is a simulation model 1 1 a simple example of a simulation model 1 2 a note on units 2 what is a reservoir simulation model 2 1 the task of reservoir simulation

reservoir simulation heriot watt manual 2005 supplementary - Dec 29 2022

web computational skills regarding reservoir simulation and build own reservoir simulator implementation includes analysis of advanced reservoir engineering concepts investigation of odes and pdes used in reservoir simulation linear algebra numerical solution techniques the key objective is understanding of commercial

reservoir geophysics edinburgh heriot watt university - Aug 05 2023

web our particular focus is monitoring of producing hydrocarbon reservoirs undergoing primary secondary and tertiary recovery this involves quantitative 4d seismic interpretation together with reservoir simulation and model update

[institute of petroleum engineering production technology sciarium](#) - Aug 25 2022

web nov 7 2013 heriot watt institute of petroleum engineering edinburgh 2010 675 p introduction and case studies basic concepts in reservoir engineering reservoir simulation model set up gridding and well modeling the flow equations numerical methods in reservoir simulation permeability upscaling petrophysical input examination and

reservoir simulation heriot watt university course - Jun 03 2023

web know all the types of reservoir simulation models and what type of problem or reservoir process each is used to model know or be able to work out the equations for the mass of a phase or component in a grid block for a black oil or compositional model basic concepts in reservoir engineering

introduction to geological uncertainty management in reservoir - Feb 28 2023

web this book explores methods for managing uncertainty in reservoir characterization and optimization it covers the fundamentals challenges and solutions to tackle the challenges made by geological uncertainty the first chapter discusses types and sources of uncertainty and the challenges in different phases of reservoir management along with

heriot watt reservoir engineering - Sep 25 2022

web msc petroleum engineering heriot watt university dubai heriot watt reservoir engineering downloaded from ams istanbul.edu.tr by guest adrienne yaretzi international centre for carbonate reservoirs carbonate professor mark bentley heriot watt university reservoir model design professor knut andreas lie sintef

[professor ken sorbie cv heriot watt university](#) - Apr 01 2023

web reservoir simulation i have taught this 10 day course on reservoir simulation since 1988 i wrote the original notes and i

have presented the course with colleagues at institute of petroleum engineering heriot watt u in edinburgh it has also been presented at many of the approved learning units alus around the worls e g in tomsk

pdf heriot watt university reservoir simulation free - Apr 20 2022

web download heriot watt university reservoir simulation free in pdf format account 157 55 39 51 login register search search partner sites youtube to mp3 converter about us this project started as a student project in 2014 and was presented in 2017 every aspect of the internet we believe ought to be free as a consequence this utility

short courses petroleum learning centre - Jan 30 2023

web applied reservoir simulation basic pvt simulation field development and fluid flow mechanics gas wells horizontal wells htr reserves development logging during well interventions mature field development quick look log analysis reserves estimation reservoir physics waterflooding management well logging and interpretation well

reservoir simulation 1997 reservoir simulation exam 1997 q - May 22 2022

web 1997 exam with possible solutions reservoir simulation exam 1997 q1 give one use of reservoir simulation calculation and one use of material balance calculation skip to document ask an expert university heriot watt university course petroleum engineering 001 13 documents info more info download save r eserv oir

74468323 heriot watt university reservoir simulation - Mar 20 2022

web after briefly discussing the issue of uncertainty in reservoir management some calculated examples are given finally the various types of reservoir simulation model which are available for calculating different types of reservoir development process are presented black oil model compositional model etc

technology focus reservoir simulation heriot watt university - Sep 06 2023

web jul 27 2015 the journal of petroleum technology jpt july 2015 issue includes a technology focus feature on reservoir simulation which discusses four recent papers published by the society of petroleum engineers spe two of the four articles are based on recent research output from heriot watt s institute of petroleum engineering ipe

msc reservoir evaluation and management heriot watt university - Oct 07 2023

web either in industry or within heriot watt students have the opportunity to undertake an examined research project within the area of reservoir geoscience and engineering the projects are supervised by members of staff in ipe and can contain any combination of the subjects studied during the taught course or in the team project

introduction to reservoir simulation spe aberdeen - May 02 2023

web reservoir simulation reservoir simulation background model purposes model contents vs complexity reservoir model elements outline probability and determinism reservoir model components static model grid rock property modelling dynamic model major laws used in reservoir simulation numerical techniques in reservoir simulation scale upscale

download well test analysis pdf sciarium - Feb 16 2022

web may 31 2015 heriot watt institute of petroleum engineering edinburgh 2013 668 p reservoir simulation is an area of reservoir engineering in which computer models are used to predict the flow of fluids typically oil water and gas through porous media

5 types of reservoir simulation model heriot watt - Jul 24 2022

web 5 types of reservoir simulation model in document heriot watt university reservoir simulation page 47 52 until now we have confined our discussion to relative simple reservoir recovery processes such as natural depletion blowdown and waterflooding however there are many more complex reservoir recovery processes

heriot watt university reservoir simulation pdf scribd - Jul 04 2023

web reservoir simulations can do at the appraisal and in the mature stages of reservoir have an elementary knowledge of how uncertainty is handled in reservoir know all the types of reservoir simulation models and what type of problem

download reservoir engineering pdf sciarium - Jun 22 2022

web may 30 2015 manual heriot watt institute of petroleum engineering edinburgh 2013 668 p reservoir simulation is an area of reservoir engineering in which computer models are used to predict the flow of fluids typically oil

astronomy test bank solution manuals 2023 - Aug 09 2022

web stars and galaxies 9th edition by seeds test bank astronomy 40 00 25 00 test bank ltd has the world s largest online bank of astronomy problems it can even teach your students how to do the problems with real time feedback

free astronomy quiz explore the universe with free quizzes - Jul 20 2023

web this site offers a range of free multiple choice quizzes to test your knowledge of astronomy and the universe with over 75 quizzes covering topics from how to use telescopes to the astrophysics of black holes we re sure you ll find something of interest

astronomy and space quiz britannica - Jun 19 2023

web astronomy and space quiz question in which year did the space shuttle columbia disaster take place answer the fatal u s space shuttle columbia took place on february 1 2003 killing all astronauts on board question chandra x ray observatory is named after which astrophysicist

space quizzes test your knowledge of the universe - Nov 12 2022

web aug 12 2021 test your space smarts with these online quizzes for kids and adults featuring trivia questions about our solar system space missions and black holes

space quiz 50 astronomy trivia questions answers 2023 - Oct 11 2022

web 1 which is the smallest planet in our solar system reveal answer 2 what was the name of the first man to orbit the earth

reveal answer 3 which planet is the coldest reveal answer 4 who invented the hubble telescope reveal answer 5 which rover landed on mars first reveal answer

potential questions for exams astronomy 1021 studocu - May 18 2023

web 10 testbank potential questions for exams this is a premium document some documents on studocu are premium a the lower the albedo the more light the surface reflects and the less it absorbs the higher the albedo the more light the surface reflects and the less it absorbs

the expert ta expert ta astronomy - Jan 14 2023

web test bank the official multiple choice test bank questions that go beyond fact memorization by encouraging students to apply their understanding of the material expert ta is the only platform providing a custom collection of true false problems that go along with the original test bank questions

astronomy questions answers learn astronomy facts sky - Dec 13 2022

web dec 28 2014 science based q a what are asteroids comets meteors asteroids comets meteors what s the difference is a comet just an asteroid with a tail and what makes a meteor different from the other two by daniel johnson december 26 2019 astronomy questions answers

practice questions for astronomy i exam 1 east tennessee - Apr 17 2023

web practice questions for astronomy i exam 1 1 readily visible to the nakedeye on a given night a 1 b 2 c 3 d 4 e 5 2 planets a to the stars b are stationary relative to the stars c all move at the same rate relative to the stars d

the basic astronomy quiz howstuffworks - Mar 04 2022

web a comet a meteor what s the name of the galaxy we live in the andromeda the fishnet the milky way the zarathusthra true or false ursa major and the big dipper are the same thing true

astronomy chapter 2 test bank questions for the final flashcards - Feb 15 2023

web 1992 what constitutes a planet as a dwarf planet a dwarf planet has not cleared the area around its orbit what is the name of pluto s largest moon charon what is pluto s radius 0 2 of earth s who discovered pluto

88 astronomy quizzes questions answers trivia proprofs - Mar 16 2023

web sep 22 2023 this quiz is good practice for your astronomy unit test try this quiz as many times as you d like each time you try it you will be shown ten random questions from a larger question bank

20 best astronomy quiz questions and answers 2023 quiz - Jun 07 2022

web jun 6 2023 if you love looking at the night sky filled with stars this astronomy quiz is for you there are 20 astronomy quiz questions in total with a choice of 4 answers for each only one is correct so choose wisely and may the force be with you

astr151 astr test bank docx astronomy test course hero - Feb 03 2022

web astronomy test bank question 1 1 point saved the 17th century astronomer who kept a roughly 20 year continuous record of the positions of the sun moon and planets was question 1 options tycho brahe galileo galilei isaac newton nicolaus copernicus jean luc picard

astronomy test thatquiz - Aug 21 2023

web all of the answers are correct helium is formed hydrogen fuses together nuclear fusion

openstax astronomy complete test test bank exam questions - Sep 22 2023

web jan 26 2022 astronomy description in the file you can find extensive number of exam questions supports different editions different difficulty levels ranging from easy to extremely difficult the whole book is covered all chapters questions you can expect to see multiple choice questions problem show more

open stax astronomy 2e test bank answer key studocu - Sep 10 2022

web open stax astronomy 2e test bank answer key openstax astronomy 2 e multiple choice question test studocu this file is copyright 2019 rice university all rights reserved openstax astronomy 2e multiple choice question test bank andrew fraknoi answer key answers skip to document

practice test for astronomy university of northern iowa - May 06 2022

web click on the circle in front of the appropriate response there is only one correct response for each question make sure you answer each question an astronomical unit is the a distance from the earth to the moon b distance from the earth to the sun c distance from the earth to the nearest star d distance light travels in one year

as101 module test banks docx as101 final exam test bank - Apr 05 2022

web question 13 what is the origin of the atoms of hydrogen oxygen and sodium in the perspiration that exits in your body during this astronomy test answer the hydrogen nuclei were produced a few minutes after the big bang event 13 billion years ago the oxygen and sodium nuclei were synthesized inside stars more than 4 billion years ago

astronomy test bank astr 91 multiple choice the largest - Jul 08 2022

web what term is used in astronomy to indicate the reflecting power of an object answer albedo astr 91 multiple choice the visual aurora consists of luminous arcs rays or bands in the night sky usually confined to high latitudes and located in the w troposphere x stratosphere y ozonosphere z ionosphere