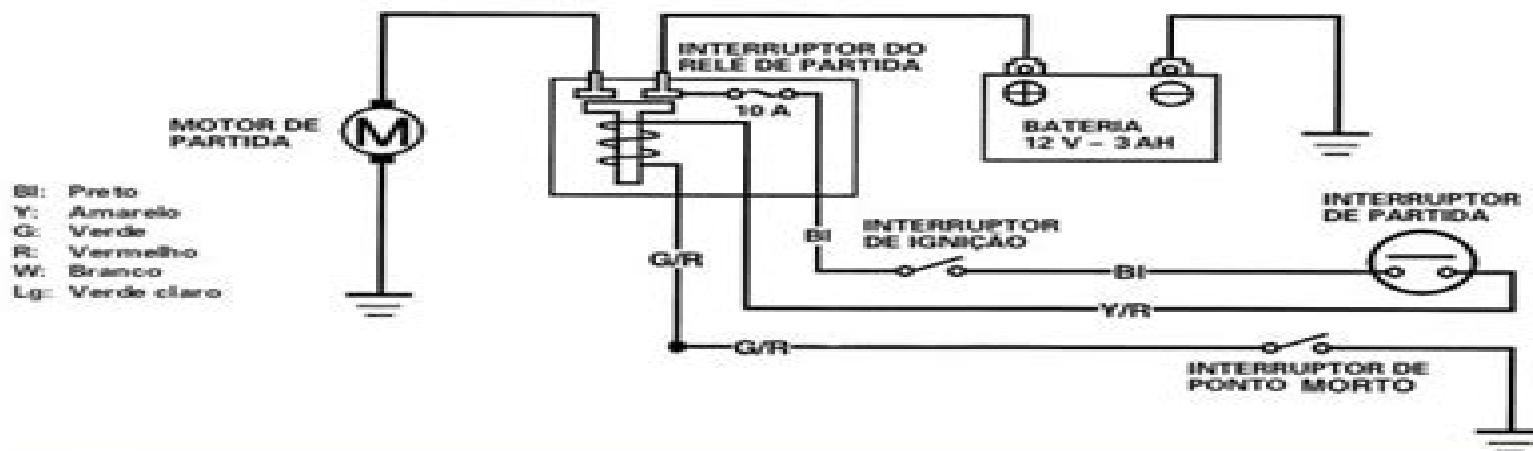
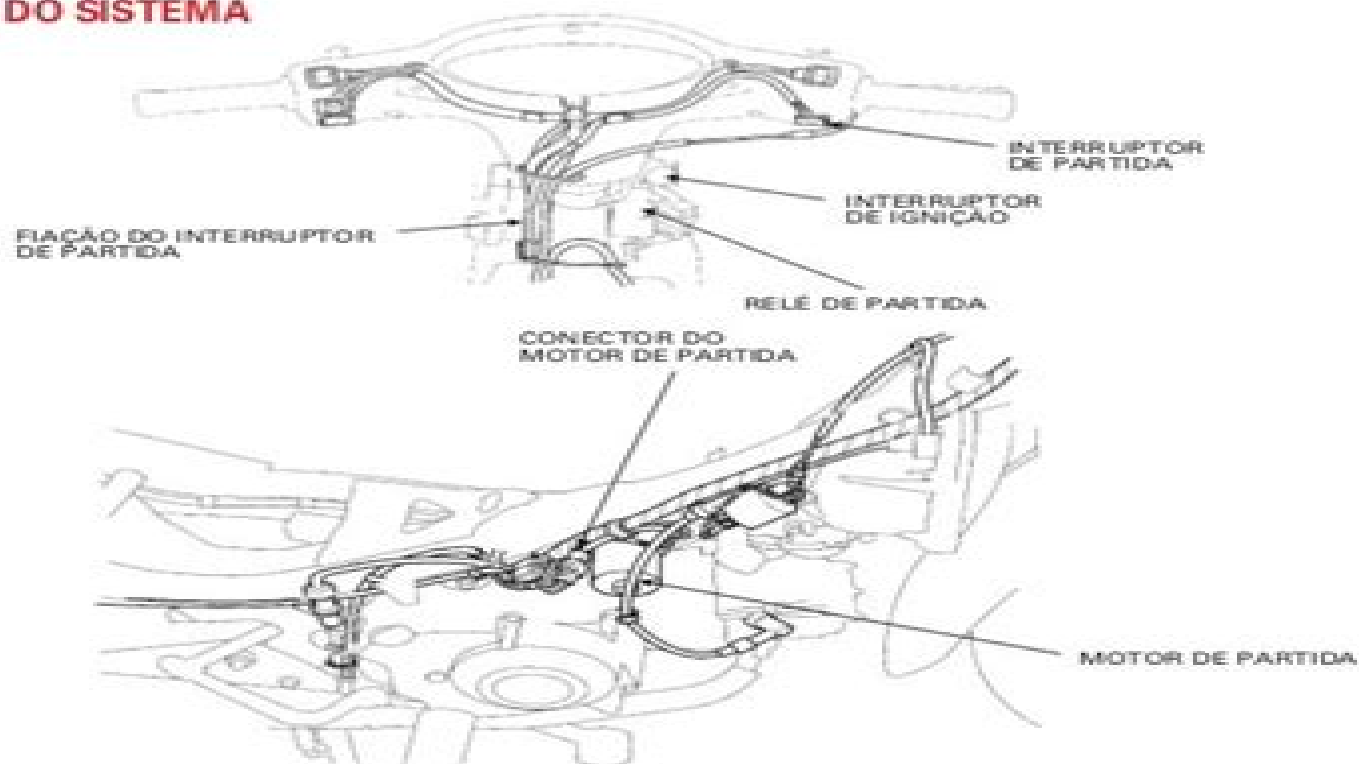


DIAGRAMA DO SISTEMA



Manual Da Biz 100 Em

Santiago Àngel Saura i Mascaró

Manual Da Biz 100 Em:

Yeah, reviewing a books **Manual Da Biz 100 Em** could accumulate your close associates listings. This is just one of the solutions for you to be successful. As understood, feat does not recommend that you have fabulous points.

Comprehending as skillfully as concurrence even more than additional will find the money for each success. next-door to, the revelation as well as acuteness of this Manual Da Biz 100 Em can be taken as skillfully as picked to act.

<https://staging.conocer.cide.edu/files/book-search/default.aspx/haints%20witches%20and%20boogers.pdf>

Table of Contents Manual Da Biz 100 Em

1. Understanding the eBook Manual Da Biz 100 Em
 - The Rise of Digital Reading Manual Da Biz 100 Em
 - Advantages of eBooks Over Traditional Books
2. Identifying Manual Da Biz 100 Em
 - Exploring Different Genres
 - Considering Fiction vs. Non-Fiction
 - Determining Your Reading Goals
3. Choosing the Right eBook Platform
 - Popular eBook Platforms
 - Features to Look for in an Manual Da Biz 100 Em
 - User-Friendly Interface
4. Exploring eBook Recommendations from Manual Da Biz 100 Em
 - Personalized Recommendations
 - Manual Da Biz 100 Em User Reviews and Ratings
 - Manual Da Biz 100 Em and Bestseller Lists
5. Accessing Manual Da Biz 100 Em Free and Paid eBooks
 - Manual Da Biz 100 Em Public Domain eBooks
 - Manual Da Biz 100 Em eBook Subscription Services

- Manual Da Biz 100 Em Budget-Friendly Options
- 6. Navigating Manual Da Biz 100 Em eBook Formats
 - ePub, PDF, MOBI, and More
 - Manual Da Biz 100 Em Compatibility with Devices
 - Manual Da Biz 100 Em Enhanced eBook Features
- 7. Enhancing Your Reading Experience
 - Adjustable Fonts and Text Sizes of Manual Da Biz 100 Em
 - Highlighting and Note-Taking Manual Da Biz 100 Em
 - Interactive Elements Manual Da Biz 100 Em
- 8. Staying Engaged with Manual Da Biz 100 Em
 - Joining Online Reading Communities
 - Participating in Virtual Book Clubs
 - Following Authors and Publishers Manual Da Biz 100 Em
- 9. Balancing eBooks and Physical Books Manual Da Biz 100 Em
 - Benefits of a Digital Library
 - Creating a Diverse Reading Collection Manual Da Biz 100 Em
- 10. Overcoming Reading Challenges
 - Dealing with Digital Eye Strain
 - Minimizing Distractions
 - Managing Screen Time
- 11. Cultivating a Reading Routine Manual Da Biz 100 Em
 - Setting Reading Goals Manual Da Biz 100 Em
 - Carving Out Dedicated Reading Time
- 12. Sourcing Reliable Information of Manual Da Biz 100 Em
 - Fact-Checking eBook Content of Manual Da Biz 100 Em
 - Distinguishing Credible Sources
- 13. Promoting Lifelong Learning
 - Utilizing eBooks for Skill Development
 - Exploring Educational eBooks
- 14. Embracing eBook Trends

- Integration of Multimedia Elements
- Interactive and Gamified eBooks

Manual Da Biz 100 Em Introduction

In this digital age, the convenience of accessing information at our fingertips has become a necessity. Whether its research papers, eBooks, or user manuals, PDF files have become the preferred format for sharing and reading documents. However, the cost associated with purchasing PDF files can sometimes be a barrier for many individuals and organizations. Thankfully, there are numerous websites and platforms that allow users to download free PDF files legally. In this article, we will explore some of the best platforms to download free PDFs. One of the most popular platforms to download free PDF files is Project Gutenberg. This online library offers over 60,000 free eBooks that are in the public domain. From classic literature to historical documents, Project Gutenberg provides a wide range of PDF files that can be downloaded and enjoyed on various devices. The website is user-friendly and allows users to search for specific titles or browse through different categories. Another reliable platform for downloading Manual Da Biz 100 Em free PDF files is Open Library. With its vast collection of over 1 million eBooks, Open Library has something for every reader. The website offers a seamless experience by providing options to borrow or download PDF files. Users simply need to create a free account to access this treasure trove of knowledge. Open Library also allows users to contribute by uploading and sharing their own PDF files, making it a collaborative platform for book enthusiasts. For those interested in academic resources, there are websites dedicated to providing free PDFs of research papers and scientific articles. One such website is Academia.edu, which allows researchers and scholars to share their work with a global audience. Users can download PDF files of research papers, theses, and dissertations covering a wide range of subjects. Academia.edu also provides a platform for discussions and networking within the academic community. When it comes to downloading Manual Da Biz 100 Em free PDF files of magazines, brochures, and catalogs, Issuu is a popular choice. This digital publishing platform hosts a vast collection of publications from around the world. Users can search for specific titles or explore various categories and genres. Issuu offers a seamless reading experience with its user-friendly interface and allows users to download PDF files for offline reading. Apart from dedicated platforms, search engines also play a crucial role in finding free PDF files. Google, for instance, has an advanced search feature that allows users to filter results by file type. By specifying the file type as "PDF," users can find websites that offer free PDF downloads on a specific topic. While downloading Manual Da Biz 100 Em free PDF files is convenient, its important to note that copyright laws must be respected. Always ensure that the PDF files you download are legally available for free. Many authors and publishers voluntarily provide free PDF versions of their work, but its essential to be cautious and verify the authenticity of the source before downloading Manual Da Biz 100 Em. In conclusion, the internet offers numerous

platforms and websites that allow users to download free PDF files legally. Whether its classic literature, research papers, or magazines, there is something for everyone. The platforms mentioned in this article, such as Project Gutenberg, Open Library, Academia.edu, and Issuu, provide access to a vast collection of PDF files. However, users should always be cautious and verify the legality of the source before downloading Manual Da Biz 100 Em any PDF files. With these platforms, the world of PDF downloads is just a click away.

FAQs About Manual Da Biz 100 Em Books

How do I know which eBook platform is the best for me? Finding the best eBook platform depends on your reading preferences and device compatibility. Research different platforms, read user reviews, and explore their features before making a choice. Are free eBooks of good quality? Yes, many reputable platforms offer high-quality free eBooks, including classics and public domain works. However, make sure to verify the source to ensure the eBook credibility. Can I read eBooks without an eReader? Absolutely! Most eBook platforms offer webbased readers or mobile apps that allow you to read eBooks on your computer, tablet, or smartphone. How do I avoid digital eye strain while reading eBooks? To prevent digital eye strain, take regular breaks, adjust the font size and background color, and ensure proper lighting while reading eBooks. What the advantage of interactive eBooks? Interactive eBooks incorporate multimedia elements, quizzes, and activities, enhancing the reader engagement and providing a more immersive learning experience. Manual Da Biz 100 Em is one of the best book in our library for free trial. We provide copy of Manual Da Biz 100 Em in digital format, so the resources that you find are reliable. There are also many Ebooks of related with Manual Da Biz 100 Em. Where to download Manual Da Biz 100 Em online for free? Are you looking for Manual Da Biz 100 Em PDF? This is definitely going to save you time and cash in something you should think about. If you trying to find then search around for online. Without a doubt there are numerous these available and many of them have the freedom. However without doubt you receive whatever you purchase. An alternate way to get ideas is always to check another Manual Da Biz 100 Em. This method for see exactly what may be included and adopt these ideas to your book. This site will almost certainly help you save time and effort, money and stress. If you are looking for free books then you really should consider finding to assist you try this. Several of Manual Da Biz 100 Em are for sale to free while some are payable. If you arent sure if the books you would like to download works with for usage along with your computer, it is possible to download free trials. The free guides make it easy for someone to free access online library for download books to your device. You can get free download on free trial for lots of books categories. Our library is the biggest of these that have literally hundreds of thousands of different products categories represented. You will also see that there are specific sites catered to different product types or categories, brands or niches related with Manual Da Biz 100 Em.

So depending on what exactly you are searching, you will be able to choose e books to suit your own need. Need to access completely for Campbell Biology Seventh Edition book? Access Ebook without any digging. And by having access to our ebook online or by storing it on your computer, you have convenient answers with Manual Da Biz 100 Em To get started finding Manual Da Biz 100 Em, you are right to find our website which has a comprehensive collection of books online. Our library is the biggest of these that have literally hundreds of thousands of different products represented. You will also see that there are specific sites catered to different categories or niches related with Manual Da Biz 100 Em So depending on what exactly you are searching, you will be able to choose ebook to suit your own need. Thank you for reading Manual Da Biz 100 Em. Maybe you have knowledge that, people have search numerous times for their favorite readings like this Manual Da Biz 100 Em, but end up in harmful downloads. Rather than reading a good book with a cup of coffee in the afternoon, instead they juggled with some harmful bugs inside their laptop. Manual Da Biz 100 Em is available in our book collection an online access to it is set as public so you can download it instantly. Our digital library spans in multiple locations, allowing you to get the most less latency time to download any of our books like this one. Merely said, Manual Da Biz 100 Em is universally compatible with any devices to read.

Find Manual Da Biz 100 Em :

[haints witches and boogers](#)

hadrons and nuclei first international symposium seoul korea 20-22 february 2001

gymnastics drills and conditioning exercises

h pylori associated gastrointestinal diseases

[hagar of the pawn shop](#)

gynaecologic endocrinology

[gurps swashbucklers roleplaying in the world of pirates and musketeers](#)

[gus and grandpa at the hospital](#)

[hair analysis a medical dictionary bibliography and annotated research guide to internet references](#)

[hair loss cure](#)

habit of rivers

gwen john the artist & her work 1st edition

hair lock

[half an orphan](#)

[gymnastics world of sport](#)

Manual Da Biz 100 Em :

what is a near miss definition from safeopedia - Apr 10 2023

web mar 2 2019 what does near miss mean a near miss is an unintentional incident that could have caused damage injury or death but was narrowly avoided in the context of safety a near miss may be attributed to human error or might be a result of faulty safety systems or processes in an organization

near miss definition in the cambridge english dictionary - Mar 09 2023

web a situation in which something almost hits something else a boeing 747 was involved in a near miss with a private aircraft just south of san francisco that was a near miss we

lta near miss reporting - Aug 14 2023

web within lta s reporting system there are two classifications of near misses mainly the near miss and near miss category a 1 near miss definition an event that could have resulted in loss through personal injury or damage

what is a near miss including types and report examples - Jul 13 2023

web nov 16 2022 a near miss or near accident is an unplanned event occurring in the workplace that has the potential to cause harm but doesn t result in actual human injury property and equipment damage or regular operations disruption the main purpose of reporting these occurrences is to remove hazards and introduce preventative measures

30 near miss examples to improve your reports safesite - Jun 12 2023

web nov 2 2019 the missing label itself is not a near miss but if an employee is nearly injured by the improperly labeled substance the event would be considered a near miss a near miss report should lead to hazard resolution and preventative measures

near miss safety wikipedia - May 11 2023

web a near miss near death near hit or close call is an unplanned event that has the potential to cause but does not actually result in human injury environmental or equipment damage or an interruption to normal operation

what is a near miss definition and how to report one - Oct 16 2023

web feb 3 2023 according to the national safety council nsc and occupational safety safety and health administration osha alliance a near miss is an event that occurs in a workplace that almost causes bodily harm or property damage

near miss reporting tal - Sep 15 2023

web oct 23 2023 definition near miss a near miss is an unplanned event that did not result in any injury illness or damage but had the potential to do so watch the video ying yang twins below to learn more about near miss situations due to unsafe acts or conditions all of which could have led to serious injuries ying yang twins watch on

what is a near miss the singapore ministry of manpower - Jan 07 2023

web the singapore standard defines a near miss as an unplanned event that did not result in any injury illness or damage but had the potential to do so through identifying tracking and reporting companies can better manage near miss events to avoid future accidents guide to near miss reporting goo gl qfe4dd

guide to near miss reporting workplace safety and health - Feb 08 2023

web guide to near miss reporting near misses happen in all companies regardless of their industry or scale of operation hence all companies can tap on the benefits of near miss reporting to give their wsh journey a boost

hamilton bailey s physical signs demonstrations of physical signs - Sep 08 2023

web hamilton bailey s physical signs demonstrations of physical signs in clinical surgery free download borrow and streaming internet archive

hamilton bailey s demonstrations of physical signs picture tests - Aug 27 2022

web presents illustrations from the 18th ed of hamilton bailey s physical signs includes index

hamilton bailey s physical signs open library - Oct 29 2022

web oct 23 2000 hamilton bailey s physical signs demonstration of physical signs in clinical surgery hodder arnold publication october 23 2000 a hodder arnold publication paperback in english 18 edition

hamilton bailey s physical signs 19th edition pdf scribd - Aug 07 2023

web hamilton bailey s physical signs 19th edition pdf demonstrations of physical signs in clinical surgery shared by ussama maqbool 2 free ebook download as pdf file pdf text file txt or read book online for free surgery textbook

hamilton bailey s demonstrations of physical signs in clinical - Feb 18 2022

web thank you very much for downloading hamilton baileys demonstrations of physical signs in clinical surgery as you may know people have look hundreds times for their favorite novels like this hamilton baileys demonstrations of physical signs in clinical surgery but end up in malicious downloads

hamilton bailey s physical signs demonstrations of physical signs in - Oct 09 2023

web jan 20 2016 the genitourinary system and genitalia by william cross it is approaching a century since the first edition of demonstrations of physical signs in clinical surgery was first published authored by the pioneering

hamilton bailey s physical signs demonstrations of routledge - Jul 06 2023

web by crc press description it is approaching a century since the first edition of demonstrations of physical signs in clinical surgery was first published authored by the pioneering surgical teacher hamilton bailey

hamilton bailey s physical signs google books - Feb 01 2023

web jan 7 2016 it is approaching a century since the first edition of demonstrations of physical signs in clinical surgery was

first published authored by the pioneering surgical teacher hamilton bailey

demonstrations of physical signs in clinical surgery the bmj - Apr 03 2023

web feb 3 2009 hamilton bailey s classic text is well known to most surgeons many editions having been published around the world over the years it is essentially a textbook of clinical surgical examination that emphasises a logical approach to

hamilton bailey s demonstrations of physical signs in clinical - Mar 22 2022

web the following content will be covered in hamilton bailey s demonstrations of physical signs in clinical surgery 19 edition pdf section one principles history taking and general examination distinctive clinical syndromes lumps ulcers sinuses and fistulae inflammation and infection possibly including tropical hiv aids

lumley j s p ed hamilton bailey s physical signs - Nov 29 2022

web nov 27 2003 lumley j s p ed hamilton bailey s physical signs demonstrations of physical signs in clinical surgery 18th edition butterworth heinemann oxford uk 1997 518

hamilton bailey s physical signs demonstrations of physical signs - May 04 2023

web mar 17 2016 hamilton bailey s physical signs demonstrations of physical signs in clinical surgery 19th edition

9781444169188 medicine health science books amazon com

henry hamilton bailey wikipedia - Mar 02 2023

web demonstrations of physical signs in clinical surgery 1927 7 subsequent through many editions continuing as hamilton bailey s demonstration of physical signs in clinical surgery up to the 18th ed in 1997 by john s p lumley a 19th edition expected in late 2015 by john s p lumley and anil k d cruz

hamilton bailey s physical signs demonstrations of physical signs - Jul 26 2022

web doi 10 1201 b20728 corpus id 58287668 hamilton bailey s physical signs demonstrations of physical signs in clinical surgery 19th edition

hamilton bailey s physical signs demonstrations of physical signs - Apr 22 2022

web nov 20 1997 hamilton bailey s physical signs demonstrations of physical signs in clinical surgery 19th edition 85 95 4 only 3 left in stock order soon careful history taking and the elicitation of physical signs remain of fundamental importance in

hamilton bailey s demonstrations of physical signs in clinical - Jun 05 2023

web hamilton bailey s demonstrations of physical signs in clinical surgery by bailey hamilton 1894 1961

hamilton bailey s physical signs by lumley john - Jun 24 2022

web the fully revised nineteenth edition has been brought completely up to date reflecting current surgical practice in both the developed and developing nations while preserving hamilton bailey s original message regarding the

hamilton bailey s physical signs by lumley john - May 24 2022

web the fully revised nineteenth edition has been brought completely up to date reflecting current surgical practice in both the developed and developing nations while preserving hamilton bailey s original message regarding the *hamilton bailey s demonstrations of physical signs in clinical* - Dec 31 2022

web the genius of english authorship is again demonstrated in allan clain s edition of hamilton bailey s textbook of physical diagnosis this famous work first published in 1927 is a must companion to hamilton bailey s emergency surgery jama 224 252 1973

hamilton bailey s demonstrations of physical signs in clinical - Sep 27 2022

web dec 6 2005 hamilton bailey s demonstrations of physical signs in clinical surgery 17th edition a clain 230 150 mm pp 622 xiv illustrated 1986 bristol john wright and sons 17 50 british journal of surgery oxford academic next journal article hamilton bailey s demonstrations of physical signs in clinical surgery 17th edition a

the sacred art of joking logos bible software - Sep 04 2022

web every few weeks a politician pundit or soap star causes a media storm by making a gaffe or tweeting a joke that some people do not find funny comedy is very hard to get right and yet we think it s important to have a sense of humour and not take yourself too seriously

the sacred art of joking 2 jude simpson youtube - Dec 27 2021

web james cary talks to poet wordsmith and youtuber jude simpson about the woman at the well in john 4 find out more about jude at her website jud

the sacred art of joking paperback 17 jan 2019 amazon co uk - Jun 13 2023

web buy the sacred art of joking by cary james isbn 9780281080922 from amazon s book store everyday low prices and free delivery on eligible orders

the sacred art of joking kindle edition amazon com - Jul 02 2022

web jan 17 2019 the sacred art of joking kindle edition by cary james download it once and read it on your kindle device pc phones or tablets use features like bookmarks note taking and highlighting while reading the sacred art of joking

the sacred art of joking james cary google books - Oct 05 2022

web every few weeks a politician pundit or soap star causes a media storm by making a gaffe or tweeting a joke that some people do not find funny comedy is very hard to get right and yet we think

pdf epub the sacred art of joking download - May 12 2023

web aug 25 2023 brief summary of book the sacred art of joking by james cary here is a quick description and cover image of book the sacred art of joking james cary which was published in january 17 2019 you can read this before the sacred art of joking pdf epub full download at the bottom

[the sacred art of joking kindle edition amazon co uk](#) - Feb 09 2023

web as a humour writer myself i found it fascinating and challenging cary examines the areas of political correctness what it is to be offended what makes a joke funny in the first place the way the laws in britain are changing the place of humour in the modern church and much more the book is packed with examples to illustrate his ideas

[sacred art of joking james cary](#) - Dec 07 2022

web sacred art of joking the sacred art of joking is a book by james cary about how jokes can go horribly wrong especially in the realm of religion the devil may have all the best tunes but does he have all the best jokes was jesus funny why does religion have to be so serious maybe it doesn't

the sacred art of joking by james cary the church times - Mar 10 2023

web jan 18 2019 the sacred art of joking is part scientific treatise on the minutiae of comedy part radical pamphlet urging christianity to embrace its latent sense of humour on the ride we meet deliberately butchered jokes about continental lightbulb changers nazi pugs the cast of on the buses and of course jesus

book review the sacred art of joking by james cary - Mar 30 2022

web an honest and unbiased book review of the sacred art of joking published by spck the sacred art of joking is a book by james cary about how jokes can go horribly wrong especially in the realm of religion the devil may have all the best tunes but does he have all the best jokes was jesus funny why does religion have to be so serious

[the sacred art of joking by james cary goodreads](#) - Jul 14 2023

web jan 17 2019 the sacred art of joking james cary 3 80 56 ratings 15 reviews an elegant treatise on how the church could lighten up its image the times having worked for many years at the coalface of comedy sorting the dross from the combustible james cary is uniquely qualified to write this book

joe watkins state of independence the sacred art of joking - Apr 30 2022

web may 28 2021 the sacred art of joking with joe watkins james cary jeff coleman

the sacred art of joking amazon com - Aug 15 2023

web jan 17 2019 cary examines the areas of political correctness what it is to be offended what makes a joke funny in the first place the way the laws in britain are changing the place of humour in the modern church and much more

the sacred art of joking james cary google books - Nov 06 2022

web comedy is sacred it's woven through the bible james cary has rare first hand experience of writing comedy for the bbc and has a degree in theology he and former actor and comedian barry cooper co writer of christianity explored do a weekly podcast called cooper and cary have words

the sacred art of joking james cary amazon com tr kitap - Jan 08 2023

web the sacred art of joking james cary amazon com tr kitap Çerez tercihlerinizi seçin Çerez bildirimimizde ayrıntılı şekilde açıklandığı üzere alışveriş yapmanızı sağlamak alışveriş deneyiminizi iyileştirmek ve hizmetlerimizi sunmak için gerekli olan çerezleri ve benzer araçları kullanırız

[the sacred art of joking james cary spck publishing](#) - Aug 03 2022

web jan 17 2019 ruining the moment james cary author of the sacred art of joking blogs for us during storytelling week 5 lighthearted books for christmas for most people christmas is the perfect time of year to unwind relax and spend precious time with family with this in mind spck has handpicked five easy lighthearted books for the holidays

the sacred art of joking overdrive - Jun 01 2022

web sep 1 2019 every few weeks a politician pundit or soap star causes a media storm by making a gaffe or tweeting a joke that some people do not find funny comedy is very hard to get right and yet we think it s important to have a

the sacred art of joking 4 andy kind youtube - Feb 26 2022

web bbc sitcom writer james cary talks to comedian and preacher andy kind about the big elijah vs prophets of baal smackdown in 1 kings in which there s are tw

the sacred art of joking guest james cary youtube - Jan 28 2022

web life is hard and if you re a person of faith you might even be asking if in the broken world we live in filled with pandemics and anxiety inducing 24 hour

james cary the sacred art of joking philpapers - Apr 11 2023

web comedy is sacred it s woven through the bible james cary has rare first hand experience of writing comedy for the bbc and has a degree in theology he and former actor and comedian barry cooper co writer of christianity explored do a weekly podcast called cooper and cary have words