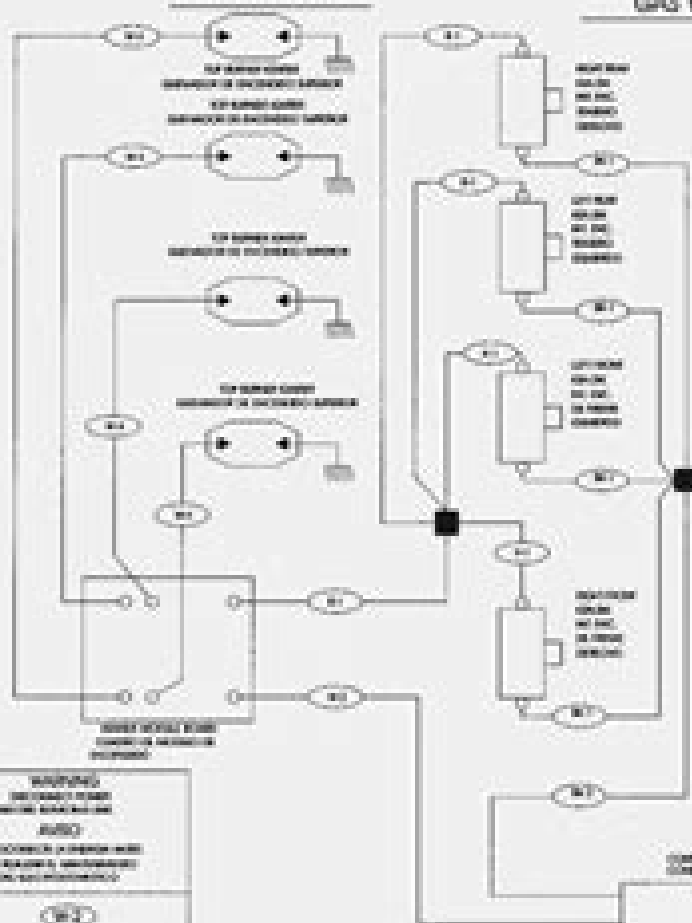
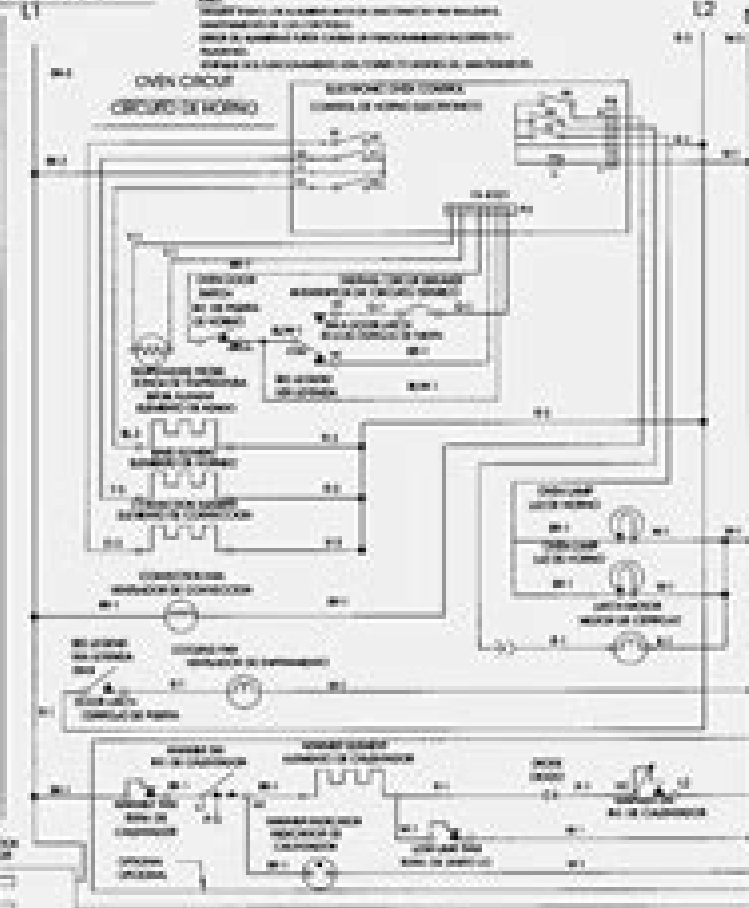


**COOKTOP CIRCUIT  
RANCHO DE COCINA**



**GAS AND ELECTRIC  
GAS Y ELECTRIC**



**NOTES:**  
 1. ALL GAS PIPING IS TO BE INSTALLED IN ACCORDANCE WITH THE APPLICABLE CODES AND REGULATIONS.  
 2. ALL ELECTRICAL WIRING IS TO BE INSTALLED IN ACCORDANCE WITH THE APPLICABLE CODES AND REGULATIONS.  
 3. ALL ELECTRICAL WIRING IS TO BE INSTALLED IN ACCORDANCE WITH THE APPLICABLE CODES AND REGULATIONS.  
 4. ALL ELECTRICAL WIRING IS TO BE INSTALLED IN ACCORDANCE WITH THE APPLICABLE CODES AND REGULATIONS.

**WARNING**  
 THE COOKTOP SHALL BE INSTALLED ON A  
**AUTO**  
 INSULATED SUPPORT WITH  
 AN ANTI-TIP DEVICE  
 IN ACCORDANCE WITH THE  
 APPLICABLE CODES AND REGULATIONS.

**NOTES**  
 1. THE COOKTOP SHALL BE INSTALLED IN ACCORDANCE WITH THE APPLICABLE CODES AND REGULATIONS.  
 2. THE COOKTOP SHALL BE INSTALLED IN ACCORDANCE WITH THE APPLICABLE CODES AND REGULATIONS.

PARTS LIST		PARTS LIST		PARTS LIST	
QTY	DESCRIPTION	QTY	DESCRIPTION	QTY	DESCRIPTION
1	COOKTOP	1	COOKTOP	1	COOKTOP
1	COOKTOP	1	COOKTOP	1	COOKTOP
1	COOKTOP	1	COOKTOP	1	COOKTOP
1	COOKTOP	1	COOKTOP	1	COOKTOP
1	COOKTOP	1	COOKTOP	1	COOKTOP
1	COOKTOP	1	COOKTOP	1	COOKTOP
1	COOKTOP	1	COOKTOP	1	COOKTOP
1	COOKTOP	1	COOKTOP	1	COOKTOP
1	COOKTOP	1	COOKTOP	1	COOKTOP
1	COOKTOP	1	COOKTOP	1	COOKTOP

**NOTES:**  
 1. ALL GAS PIPING IS TO BE INSTALLED IN ACCORDANCE WITH THE APPLICABLE CODES AND REGULATIONS.  
 2. ALL ELECTRICAL WIRING IS TO BE INSTALLED IN ACCORDANCE WITH THE APPLICABLE CODES AND REGULATIONS.  
 3. ALL ELECTRICAL WIRING IS TO BE INSTALLED IN ACCORDANCE WITH THE APPLICABLE CODES AND REGULATIONS.  
 4. ALL ELECTRICAL WIRING IS TO BE INSTALLED IN ACCORDANCE WITH THE APPLICABLE CODES AND REGULATIONS.



**IMPORTANT:**  
 CONSULT THE USER'S MANUAL FOR  
 INSTALLATION AND OPERATION  
**IMPORTANT:**  
 CONSULT THE USER'S MANUAL FOR  
 INSTALLATION AND OPERATION  
**318045036 REV. C**

# Kitchenaid Wiring Diagram Problems

**Léo Pomar**

A decorative graphic element consisting of a horizontal light blue bar with a rounded right end, partially overlapping a red circular gradient shape.

## **Kitchenaid Wiring Diagram Problems:**

Delve into the emotional tapestry woven by in Experience **Kitchenaid Wiring Diagram Problems** . This ebook, available for download in a PDF format ( Download in PDF: \*), is more than just words on a page; itis a journey of connection and profound emotion. Immerse yourself in narratives that tug at your heartstrings. Download now to experience the pulse of each page and let your emotions run wild.

[https://staging.conocer.cide.edu/results/book-search/Download\\_PDFS/Everybodys\\_Guide\\_To\\_Small\\_Claims\\_Court\\_In\\_California.pdf](https://staging.conocer.cide.edu/results/book-search/Download_PDFS/Everybodys_Guide_To_Small_Claims_Court_In_California.pdf)

## **Table of Contents Kitchenaid Wiring Diagram Problems**

1. Understanding the eBook Kitchenaid Wiring Diagram Problems
  - The Rise of Digital Reading Kitchenaid Wiring Diagram Problems
  - Advantages of eBooks Over Traditional Books
2. Identifying Kitchenaid Wiring Diagram Problems
  - Exploring Different Genres
  - Considering Fiction vs. Non-Fiction
  - Determining Your Reading Goals
3. Choosing the Right eBook Platform
  - Popular eBook Platforms
  - Features to Look for in an Kitchenaid Wiring Diagram Problems
  - User-Friendly Interface
4. Exploring eBook Recommendations from Kitchenaid Wiring Diagram Problems
  - Personalized Recommendations
  - Kitchenaid Wiring Diagram Problems User Reviews and Ratings
  - Kitchenaid Wiring Diagram Problems and Bestseller Lists
5. Accessing Kitchenaid Wiring Diagram Problems Free and Paid eBooks
  - Kitchenaid Wiring Diagram Problems Public Domain eBooks
  - Kitchenaid Wiring Diagram Problems eBook Subscription Services

- Kitchenaid Wiring Diagram Problems Budget-Friendly Options
- 6. Navigating Kitchenaid Wiring Diagram Problems eBook Formats
  - ePub, PDF, MOBI, and More
  - Kitchenaid Wiring Diagram Problems Compatibility with Devices
  - Kitchenaid Wiring Diagram Problems Enhanced eBook Features
- 7. Enhancing Your Reading Experience
  - Adjustable Fonts and Text Sizes of Kitchenaid Wiring Diagram Problems
  - Highlighting and Note-Taking Kitchenaid Wiring Diagram Problems
  - Interactive Elements Kitchenaid Wiring Diagram Problems
- 8. Staying Engaged with Kitchenaid Wiring Diagram Problems
  - Joining Online Reading Communities
  - Participating in Virtual Book Clubs
  - Following Authors and Publishers Kitchenaid Wiring Diagram Problems
- 9. Balancing eBooks and Physical Books Kitchenaid Wiring Diagram Problems
  - Benefits of a Digital Library
  - Creating a Diverse Reading Collection Kitchenaid Wiring Diagram Problems
- 10. Overcoming Reading Challenges
  - Dealing with Digital Eye Strain
  - Minimizing Distractions
  - Managing Screen Time
- 11. Cultivating a Reading Routine Kitchenaid Wiring Diagram Problems
  - Setting Reading Goals Kitchenaid Wiring Diagram Problems
  - Carving Out Dedicated Reading Time
- 12. Sourcing Reliable Information of Kitchenaid Wiring Diagram Problems
  - Fact-Checking eBook Content of Kitchenaid Wiring Diagram Problems
  - Distinguishing Credible Sources
- 13. Promoting Lifelong Learning
  - Utilizing eBooks for Skill Development
  - Exploring Educational eBooks
- 14. Embracing eBook Trends

- Integration of Multimedia Elements
- Interactive and Gamified eBooks

### **Kitchenaid Wiring Diagram Problems Introduction**

Kitchenaid Wiring Diagram Problems Offers over 60,000 free eBooks, including many classics that are in the public domain. Open Library: Provides access to over 1 million free eBooks, including classic literature and contemporary works. Kitchenaid Wiring Diagram Problems Offers a vast collection of books, some of which are available for free as PDF downloads, particularly older books in the public domain. Kitchenaid Wiring Diagram Problems : This website hosts a vast collection of scientific articles, books, and textbooks. While it operates in a legal gray area due to copyright issues, its a popular resource for finding various publications. Internet Archive for Kitchenaid Wiring Diagram Problems : Has an extensive collection of digital content, including books, articles, videos, and more. It has a massive library of free downloadable books. Free-eBooks Kitchenaid Wiring Diagram Problems Offers a diverse range of free eBooks across various genres. Kitchenaid Wiring Diagram Problems Focuses mainly on educational books, textbooks, and business books. It offers free PDF downloads for educational purposes. Kitchenaid Wiring Diagram Problems Provides a large selection of free eBooks in different genres, which are available for download in various formats, including PDF. Finding specific Kitchenaid Wiring Diagram Problems, especially related to Kitchenaid Wiring Diagram Problems, might be challenging as theyre often artistic creations rather than practical blueprints. However, you can explore the following steps to search for or create your own Online Searches: Look for websites, forums, or blogs dedicated to Kitchenaid Wiring Diagram Problems, Sometimes enthusiasts share their designs or concepts in PDF format. Books and Magazines Some Kitchenaid Wiring Diagram Problems books or magazines might include. Look for these in online stores or libraries. Remember that while Kitchenaid Wiring Diagram Problems, sharing copyrighted material without permission is not legal. Always ensure youre either creating your own or obtaining them from legitimate sources that allow sharing and downloading. Library Check if your local library offers eBook lending services. Many libraries have digital catalogs where you can borrow Kitchenaid Wiring Diagram Problems eBooks for free, including popular titles. Online Retailers: Websites like Amazon, Google Books, or Apple Books often sell eBooks. Sometimes, authors or publishers offer promotions or free periods for certain books. Authors Website Occasionally, authors provide excerpts or short stories for free on their websites. While this might not be the Kitchenaid Wiring Diagram Problems full book , it can give you a taste of the authors writing style. Subscription Services Platforms like Kindle Unlimited or Scribd offer subscription-based access to a wide range of Kitchenaid Wiring Diagram Problems eBooks, including some popular titles.

### FAQs About Kitchenaid Wiring Diagram Problems Books

**What is a Kitchenaid Wiring Diagram Problems PDF?** A PDF (Portable Document Format) is a file format developed by Adobe that preserves the layout and formatting of a document, regardless of the software, hardware, or operating system used to view or print it. **How do I create a Kitchenaid Wiring Diagram Problems PDF?** There are several ways to create a PDF: Use software like Adobe Acrobat, Microsoft Word, or Google Docs, which often have built-in PDF creation tools. Print to PDF: Many applications and operating systems have a "Print to PDF" option that allows you to save a document as a PDF file instead of printing it on paper. Online converters: There are various online tools that can convert different file types to PDF. **How do I edit a Kitchenaid Wiring Diagram Problems PDF?** Editing a PDF can be done with software like Adobe Acrobat, which allows direct editing of text, images, and other elements within the PDF. Some free tools, like PDFescape or Smallpdf, also offer basic editing capabilities. **How do I convert a Kitchenaid Wiring Diagram Problems PDF to another file format?** There are multiple ways to convert a PDF to another format: Use online converters like Smallpdf, Zamzar, or Adobe Acrobats export feature to convert PDFs to formats like Word, Excel, JPEG, etc. Software like Adobe Acrobat, Microsoft Word, or other PDF editors may have options to export or save PDFs in different formats. **How do I password-protect a Kitchenaid Wiring Diagram Problems PDF?** Most PDF editing software allows you to add password protection. In Adobe Acrobat, for instance, you can go to "File" -> "Properties" -> "Security" to set a password to restrict access or editing capabilities. Are there any free alternatives to Adobe Acrobat for working with PDFs? Yes, there are many free alternatives for working with PDFs, such as: LibreOffice: Offers PDF editing features. PDFsam: Allows splitting, merging, and editing PDFs. Foxit Reader: Provides basic PDF viewing and editing capabilities. How do I compress a PDF file? You can use online tools like Smallpdf, ILovePDF, or desktop software like Adobe Acrobat to compress PDF files without significant quality loss. Compression reduces the file size, making it easier to share and download. Can I fill out forms in a PDF file? Yes, most PDF viewers/editors like Adobe Acrobat, Preview (on Mac), or various online tools allow you to fill out forms in PDF files by selecting text fields and entering information. Are there any restrictions when working with PDFs? Some PDFs might have restrictions set by their creator, such as password protection, editing restrictions, or print restrictions. Breaking these restrictions might require specific software or tools, which may or may not be legal depending on the circumstances and local laws.

### Find Kitchenaid Wiring Diagram Problems :

everybodys guide to small claims court in california  
*every day & sunday too*

*even more naughty stories for good boys and girls number 3 naughty stories*

*european watercolors*

*even withered trees give prosperity to the mountain*

**evangelical mind nathanael burwash and the methodist tradition in canada 1839-1918**

*evening light*

*european workshop on planning*

*eva marisaldi*

*european reformations*

*evaluation research and development activities sage library of social research vol. 68*

*european world 400-1500 v1 memw*

**everlasting moments**

**every single womans battle**

*evangelicals in the white house*

### **Kitchenaid Wiring Diagram Problems :**

**differentiation test questions higher maths bbc bitesize** - Mar 16 2023

web differentiation of algebraic and trigonometric expressions can be used for calculating rates of change stationary points and their nature or the gradient and equation of a tangent to a curve

8 e differential equations exercises mathematics libretexts - May 18 2023

web may 28 2023 in exercises 1 7 determine the order of each differential equation 1  $y' + 3y = 2$  answer 1st order 2  $y' + 2y = 3$  answer 1st order 3  $y' + 3x^2 = 2$  answer 3rd order 4  $y' + 3t = 2.5$  answer 1st order 6  $\frac{dy}{dx} = 2 + 3x^4$  7  $\frac{dy}{dt} = 2 + 8 \frac{dy}{dx}$

**differential calculus questions and answers byju s** - Dec 13 2022

web differential calculus questions with solutions are provided for students to practise differentiation questions differential calculus is a branch of calculus in mathematics that studies the instantaneous rate of change in a function corresponding to a given input value

**differentiation questions with answers byju s** - Sep 22 2023

web here are a few solved questions based on differentiation concept 1 differentiate  $x^5$  with respect to  $x$  solution given  $y = x^5$  on differentiating w r t we get  $\frac{dy}{dx} = \frac{d}{dx} x^5 = 5x^4$  therefore  $\frac{d}{dx} x^5 = 5x^4$  2 differentiate  $10x^2$  with respect to  $x$  solution  $y = 10x^2$   $\frac{d}{dx} 10x^2 = 20x$



**calculus i differentiation formulas practice problems** - Oct 23 2023

web nov 16 2022 section 3.3 differentiation formulas for problems 1-12 find the derivative of the given function  $f(x) = 6x^3 - 9x^4$   
 $f(x) = 6x^3 - 9x^4$  solution  $y = 2t^4 - 10t^2 - 13t$   $y = 2t^4 - 10t^2 - 13t$  solution  $g(z) = 4z^7 - 3z^7 - 9z$   $g(z) = 4z^7 - 3z^7 - 9z$  solution  $h(y) = y^4 - 9y^3 - 8y^2 - 12$   
 $h(y) = y^4 - 9y^3 - 8y^2 - 12$

derivatives basics challenge practice khan academy - Aug 09 2022

web derivatives basics challenge let  $f(x) = 2x^3 - x^2$  what is the value of  $\lim_{h \rightarrow 0} \frac{f(x+h) - f(x)}{h}$  stuck use a hint learn for free about math art computer programming economics physics chemistry biology medicine finance history and more khan academy is a nonprofit with the mission of providing a free world class

*3.3 differentiation rules mathematics libretxts* - Sep 10 2022

web sep 7 2022 the derivative of the quotient of two functions is the derivative of the first function times the second function minus the derivative of the second function times the first function all divided by the square of the second function  
$$\frac{d}{dx} \left( \frac{f(x)}{g(x)} \right) = \frac{f'(x)g(x) - f(x)g'(x)}{g(x)^2}$$

*differentiation practice i madasmaths* - Aug 21 2023

web differentiation  $65x dx$   $32x^2 dx$   $436x dx$   $3x^2 - 5x + 1 dx$   $14x^2 + 2x + 7 dx$   $655x + 30 dx$   $312x^2 + 3x^2 dx$   $43326x + 24x^3 dx$   $d(23x^5)$   $6x^5 - 114x^2 + 2x^7 + 2x^2 dx$   $34x dx$

differentiation edexcel igcse maths questions answers - May 06 2022

web revision notes on mixed numbers top heavy fractions for the edexcel igcse maths exam designed by the expert teachers at save my exams

**derivatives class 11 maths mcq sanfoundry** - Apr 05 2022

web class 11 maths mcq derivatives this set of class 11 maths chapter 13 multiple choice questions answers mcqs focuses on derivatives 1 find the derivative of  $e^{x^2}$  a  $e^{x^2}$  b  $2x$  c  $2e^{x^2}$  d  $2xe^{x^2}$  view answer

**fm differentiation questions corbettmaths** - Apr 17 2023

web nov 21 2019 the corbettmaths practice questions on differentiation for level 2 further maths

**differentiation questions and answers my maths guy** - Jul 20 2023

web aug 10 2022 got the idea prove it by checking out our differentiation questions and answers check your knowledge with these product rule questions and answers pdf free no sign up required

*calculus i derivatives practice problems pauls online math* - Jan 14 2023

web jun 6 2018 here are a set of practice problems for the derivatives chapter of the calculus i notes if you'd like a pdf document containing the solutions the download tab above contains links to pdfs containing the solutions for the full book chapter and section at this time i do not offer pdfs for solutions to individual problems

**differentiation practice questions with answers onlinemath4all** - Jun 19 2023

web differentiation practice questions with answers find the derivatives of the following functions with respect to corresponding independent variables question 1 differentiate  $f(x) = x^3 \sin x$  solution  $f'(x) = 3x^2 \sin x + x^3 \cos x$  question 2

differentiate  $y = \sin x \cos x$  solution  $f'(x) = \sin x \cos x - \sin x \cos x = 0$

*questions and answers on derivatives in calculus* - Oct 11 2022

web question 1 if functions  $f$  and  $g$  are such that  $f(x) + g(x) = k$  where  $k$  is a constant then a  $f'(x) + g'(x) = k$  b  $f'(x) + g'(x) = 0$  c none of the above answer b the derivative of a sum of two functions is equal to the sum of the derivatives of the two functions and also the derivative of constant is equal to zero question 2

**differentiation questions and answers download only** - Jun 07 2022

web differentiation questions and answers lift the flap first questions and answers why should i share feb 04 2022 all about sharing fairness and how little actions can make a big difference enter christine pym s adorable bug world and discover the importance of taking turns being fair and sharing our planet with all living things

*for mathematics 100 and 180 university of british columbia* - Nov 12 2022

web learning is a process and getting answers to questions that you haven't considered on your own can rob you of the practice you need to master skills and concepts and the tenacity you need to develop to become a competent problem

**differentiation questions and answers eolebooks** - Jul 08 2022

web differentiation questions 1 a particle moves in a straight line from a fixed point its velocity  $v$  m/s after  $t$  seconds is given by calculate the distance traveled by the particle during the 2nd second

**calculus i derivatives of trig functions practice problems** - Mar 04 2022

web nov 16 2022 3.3 differentiation formulas 3.4 product and quotient rule 3.5 derivatives of trig functions 3.6 derivatives of exponential and logarithm functions 3.7 derivatives of inverse trig functions 3.8 derivatives of hyperbolic functions 3.9 chain rule 3.10 implicit differentiation 3.11 related rates 3.12 higher order derivatives 3

[solutions to differential equations calculus 1 varsity tutors](#) - Feb 15 2023

web we can calculate this answer in steps we start with differentiating in terms of the left most variable in  $xyz$  so here we start by taking the derivative with respect to  $x$  first  $f(x) = 4\cos(4x)yz$  then  $f'(x) = -16\sin(4x)yz$  finally  $f''(x) = -64\cos(4x)yz$

**social sciences curriculum** - Jun 18 2023

caps documents provincial documents cta s 2007 section a learners book 2007 section a teacher s guide and memorandum 2007 addendum to social sciences lesson plans final 2009 intermediate phase grade 4 grade 5 grade 6 geography lesson plan for grade 4 doc

*grade 4 social science caps worksheets learny kids* - Oct 10 2022

displaying top 8 worksheets found for grade 4 social science caps some of the worksheets for this concept are curriculum and assessment policy statement social sciences social sciences lesson plans for social grade four 1 social sciences geography grades 4 social sciences history and geography teachers guide grade 4 lesson plan term 3

**best social science lesson plan download pdf free 2023** - Apr 04 2022

buy social science teaching lesson plans online at lowest price search latest lesson plan series for teachers b ed and d el ed all subjects amazon learning classes online social science social studies history geography political science lesson plan for b ed in english

lesson plan gr 8 social sciences geography t3 w3 wced - Nov 11 2022

jul 31 2020 lesson plan for teachers and learners as resource 2023 caps taps pearson teacher navigation packs revised curriculum lesson plan gr 8 social sciences geography t3 w3 free download type pdf size 0 45mb share this content

**social science lesson plan lesson plan template 2022** - Aug 08 2022

subject caps weather climate and vegetation of south africa topic weather date of lesson 24 august 2022 number of learners 39 duration of lesson 40 minutes caps specific focus link here it focuses on the elements of weather which comprises of temperature wind cloud cover rainfall

**social sciences lesson plan pdf slideshare** - Dec 12 2022

nov 11 2016 social sciences lesson plan 1 of 4 download now social sciences lesson plan download as a pdf or view online for free

**today grade 7 social sciences lesson plans fliphtml5** - Jun 06 2022

today grade 7 social sciences lesson plans search bookmark add to page 1 page title edit ads 2 work schedule for social sciences today grade 7 term week los ass chapter assessmentresources 1 1 2 lo1 geographical enquiry lo1 historical

**a social science grade 5 caps lesson plan teacher made** - Feb 14 2023

planning your academic year ahead with our comprehensive social science grade 5 caps lesson planning sheet will be plain sailing our lesson plan templates will help you make wonderful lesson plans check out our caps lesson planning sheet

social sciences lesson plans resources study com - May 05 2022

oct 18 2023 this course is for teachers who want to plan and supplement lessons for a variety of social science subjects the course includes lesson plan outlines discussion questions writing prompts and

social science education world - Jul 07 2022

lesson plan booster teen mom show and social norms regarding teen pregnancy the class thinks critically about social norms messages expressed by a popular mtv reality show that is aimed at a teen audience students consider the possible positive

and negative effects of the show on teen behavior

**2021 annual teaching plan term 1 social sciences** - Mar 15 2023

jan 27 2021 2021 annual teaching plan term 1 social sciences geography grade 4 term 1 45 days week 1 week 2 week 3 week 4 week 5 week 6 week 7 week 8 week 9 week 10 caps topic places where people live settlements content and concepts skills and values orientation of learners to grade 4 welcome learners to grade 4 geography social

**social science grade 4 caps lesson plans teacher made** - Jul 19 2023

plan your academic year ahead with our homeschool social science grade 4 caps lesson planning sheet to assist you in covering the entire syllabus use this handy history caps document pdf planning sheet to tick off content that you ve taught to your class helping you to stay organised and ensure all caps work for the history module has been

*social sciences lesson plan term 4 geograpghy pdf slideshare* - Sep 09 2022

nov 11 2016 social sciences lesson plan term 4 geograpghy download as a pdf or view online for free

*lesson plans for social sciences foreword* - Aug 20 2023

lesson plans for social sciences foreword in order to assist teachers in schools so that they are more articulate and spot on in preparing lessons that are ncs compliant the curriculum chief directorate together with the districts have embarked on a programme to prepare lessons and assessment tasks that are based on the work schedule

lesson plan presentation lesson plan template 2021 note - Mar 03 2022

a lesson details date of lesson 10 september 2021 subject caps social sciences history the Nile river and how it influenced settlement p 40 grade 5 topic the Nile river and how it influenced settlement p number of learners 17 duration 30 minutes b caps specific focus social sciences history

a social science grade 5 caps lesson plan teacher made - Sep 21 2023

planning your academic year ahead with our comprehensive social science grade 5 caps lesson planning sheet will be plain sailing our lesson plan templates will help you make wonderful lesson plans check out our caps lesson planning sheet

**social science lesson plans the lesson builder** - Jan 13 2023

social science lesson plans each social science lesson plan below was created using the lesson builder s easy to use adaptive lesson plan template looking for an activity and not a whole lesson it s fun and easy to make your own crossword or make your own word search

a social science grade 5 caps lesson plan teacher made - Apr 16 2023

planning your academic year ahead with our comprehensive social science grade 5 caps lesson planning sheet will be plain sailing our lesson plan templates will help you make wonderful lesson plans check out our caps lesson planning sheet

**caps intermediate phase social sciences studocu** - May 17 2023

8 curriculum and assessment policy statement caps section 2 introduction to social sciences 2 what is social sciences the subject social sciences consists of history and geography both history and geography should be taught and assessed during every term of the school year

**lesson plan template 1 lesson plan template 2022** - Feb 02 2022

lesson plan template 2022 note all lesson plan templates are to be typed up no handwritten lesson plans will be accepted for final submission of the poe please use the template below which will be made available to you as

**wiring diagram panel listrik ats amf pdf pdf e books scribd** - Mar 13 2023

web wiring diagram panel listrik ats amf contains important information and a detailed explanation about wiring diagram panel listrik ats amf its contents of the package names of things and what they do setup and operation

*pembuatan wiring diagram panel listrik teknisi listrik* - Jul 17 2023

web wiring diagram merupakan gambar pengkabelan dalam instalasi listrik yang menggambarkan alamat posisi kabel simbol simbol kelistrikan seperti kontak saklar wiring diagram elektrik ini sangat diperlukan oleh panel maker dalam perencanaan pembuatan panel listrik panel kontrol

panel distribusi listrik urutan dan jenis panel teknisi listrik - Feb 12 2023

web may 6 2019 contoh wiring diagram simbol listrik standar internasional mesin industri simbol listrik wiring kontrol dan motor 3 phase rangkaian kontrol motor 3 phase panel distribusi listrik urutan dan jenis panel jasa instalasi listrik panel instrument inverter vsd plc hmi dan perbaikan mesin usaha industri karawang

*cara mudah membuat wiring diagram panel listrik youtube* - Jan 11 2023

web aug 5 2019 tutorial membuat wiring diagram load schedule panel listrik dengan autocad lengkap dengan bahannya langsung sedot paling bawah

**electrical panel wiring diagram solisplc** - Sep 07 2022

web electrical panel wiring diagrams are used to outline each device as well as the connection between the devices found within an electrical panel as electrical panels are what will contain control systems panel wiring diagrams are commonly encountered by plc technicians and engineers although electrical panels may not be overly complex from

*konsep 31 gambar diagram wiring panel listrik sdp blogger* - Aug 06 2022

web jan 13 2021 poin pembahasan konsep 31 gambar diagram wiring panel listrik sdp adalah panel distribusi listrik lengkap wiring diagram panel distribusi diagram panel listrik gambar panel distribusi komponen panel listrik pdf panel sdp komponen panel listrik beserta fungsinya komponen panel sdp

**belajar membaca wiring diagram kontrol listrik** - Jan 31 2022

web jun 1 2022 video memberi penjelasan bagaimana membaca wiring diagram kontrol listrik dari nol video terbagi

menjadi beberapa episode dan ini adalah episode yang pertama

[5 software diagram listrik gratis terbaik brankaspedia](#) - Jul 05 2022

web berikut adalah 5 software diagram kelistrikan gratis untuk windows software ini membantu agan merancang diagram rangkaian listrik dengan menambahkan berbagai perangkat dan instrumen listrik agan dapat menggunakan software ini untuk membuat desain listrik bangunan atau desain sirkuit listrik tertentu

**gambar kerja wiring diagram instalasi listrik file dwg** - May 03 2022

web fungsi dari wiring diagram instalasi listrik adalah untuk memetakan berbagai jenis beban pengaman grup panel mcb serta kwh meter yang di pasang dalam sebuah instalasi baik untuk rumah perusahaan sekolah pabrik dan lainya wiring diagram menggambarkan cara pengawatan yang menghubungkan antara komponen dengan komponen lainnya

**rangkaian dasar listrik pada gambar dan panel control** - Nov 09 2022

web 1 rangkaian on rangkaian on pb on pada umumnya berwarna hijau dengan kontak no normally open pb on dalam kondisi normal kontak terbuka sehingga lampu tidak menyala jika pb on di tekan kontak akan tertutup dan arus listrik akan mengalir sehingga lampu menyala

**5 rekomendasi software wiring diagram listrik terbaik** - Jun 16 2023

web mar 25 2022 rekomendasi pertama dari software wiring diagram listrik adalah fritzing perangkat lunak ini dapat digunakan di pc dengan sistem operasi windows keunggulan dari aplikasi ini adalah menawarkan banyak rangkaian perangkat listrik serta instrumennya yang bervariasi dan menarik

[tips membaca wiring diagram selamat datang di blog anton](#) - Oct 08 2022

web jul 14 2021 tips membaca wiring diagram wiring diagram dalam dunia teknik sering kita temui gambar gambar yang berisi simbol simbol garis garis kode kode tertentu misalnya dalam wiring diagram sebuah panel listrik wiring diagram instalasi gedung dan lain lainnya

**macam macam diagram instalasi listrik teknisi listrik** - Dec 10 2022

web macam macam diagram instalasi listrik oleh teknik listrik juni 23 2022 contoh wiring diagram tidak sedikit yang menggunakan jasa pembuatan wiring diagram instalasi listrik kami tanpa memberikan contoh gambar diagram instalasi listrik

**tips untuk membuat wiring diagram dari panel atau instalasi listrik** - Apr 14 2023

web berikut tips untuk membuat wiring diagram dari panel atau instalasi listrik panel listrik kenali simbol masing masing komponen dalam panel gambar terlebih dahulu jalur power tegangan pada panel kemudian gambar jalur sistem kontrolnya jika ada instalasi listrik kenali simbol masing masing komponen dalam instalasi

[pembahasan lengkap wiring diagram engineering](#) - Aug 18 2023

web jul 24 2021 wiring diagram adalah suatu skema yang menjelaskan tentang hubungan antara satu komponen dengan komponen lainnya secara detail jadi diagram ini akan menghubungkan semua komponen pada rangkaian instalasi listrik tertentu

*how to follow an electrical panel wiring diagram realpars* - Mar 01 2022

web dec 2 2019 wire tag in the back of the emergency stop push button you see that we have four wires just as what we have on the wiring diagram two wires are tagged as 1 and two wires are tagged as 2 based on the diagram one of these wires with the tag 2 goes to the plc digital input let s see if we can find this wire

*diagram wiring diagram panel listrik mydiagram online* - Jun 04 2022

web aug 5 2023 wiring diagram panel listrik posted by panel listrik author 2023 08 05 cara membaca wiring diagram panel listrik cara membaca wiring diagram panel listrik instalasi listrik 3 phase untuk pemula

**wiring diagram panel listrik 3 phase wiring work** - Dec 30 2021

web oct 29 2020 a typical wiring diagram for a 3 phase electrical system includes a panel board main switch circuit breakers fused disconnect switches ground fault circuit interrupters and meter sockets the wires connecting the circuit breakers switches and sockets must be connected correctly in order for the system to work properly

*wiring diagram panel listrik wiring digital and schematic* - May 15 2023

web apr 19 2022 what is a wiring diagram panel listrik a wiring diagram panel listrik is a graphical representation of an electrical system it shows how the various components of the system fit together and how they work together the diagram consists of symbols that represent the electrical components of the system

**belajar membuat wiring diagram dengan see electrical youtube** - Apr 02 2022

web aug 17 2021 assalamu alaikum wr wb teman teman semua kali ini saya akan berbagi cara bagaimana membuat sebuah wiring diagram menggunakan see electrical ya bagi yg belum punya software silahkan download dulu