



Dishwashers

Safety Instructions 2-3

Operating Instructions

Care and Cleaning 11

Getting Started 4-5

Loading and Place Settings 8-9

Loading the silverware baskets 10

Using the Dishwasher 6-7

Troubleshooting Tips 12-14

Consumer Support

Consumer Support 16

Warranty 15

Owner's Manual

Dishwashers
ADT520 Series
GDF510-540 Series
GDT530-550 Series

Lave-vaisselle

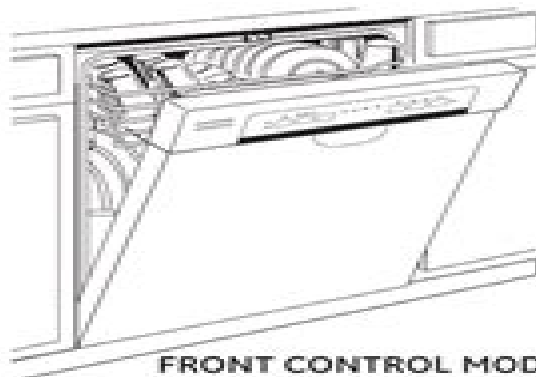
Manuel d'utilisation

La section française commence à la page 17

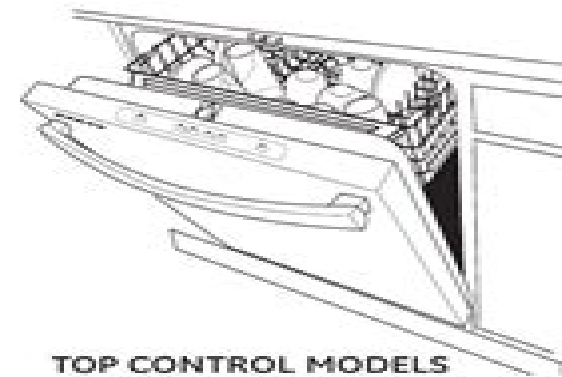
Lavaplatos

Manual del propietario

La sección en español empieza en la página 33



FRONT CONTROL MODELS



TOP CONTROL MODELS

Write the model and serial numbers here:

Model # _____

Serial # _____

You can find them on the tub wall just inside the door.

Ge Appliances Service Manual

Emilie Sanchez



Ge Appliances Service Manual:

Popular Mechanics, 1982-01 Popular Mechanics inspires instructs and influences readers to help them master the modern world Whether it s practical DIY home improvement tips gadgets and digital technology information on the newest cars or the latest breakthroughs in science PM is the ultimate guide to our high tech lifestyle **Step-by-step Repair**

Manual Plus Preventive Maintenance for General Electric/Hotpoint Washers General Electric Company,1985

Catalog of Copyright Entries. Third Series Library of Congress. Copyright Office,1952 Includes Part 1A Books and Part 1B Pamphlets Serials and Contributions to Periodicals **Refrigeration** Carroll Gantz,2015-07-13 For thousands of years humans coped with heat by harvesting and storing natural ice and devising natural cooling systems that utilized ventilation and evaporation By the mid 1800s people began developing huge refrigeration machines to manufacture ice By the early 1900s engineers developed electric domestic refrigerators which by 1927 were affordable convenient household appliances By then an increasingly sophisticated public demanded more modern looking appliances than engineers could produce and a new breed of designers entered the manufacturing world to provide them During the Depression modern designs not only increased sales but resulted in the kitchen appliances we now use Today refrigeration preserves perishable food for worldwide distribution makes tropical climates habitable for millions saves lives with medical applications and enables space flight Cheap and Easy! GE/Hotpoint Washer Repair, 2000 Edition Douglas Emley,1999-11 How YOU can fix the most common problems with your GE Hotpoint or JC Penney dryer Cover *Teacher's Manual to Accompany Essentials of Marketing, Revised Edition* Edmund Jerome McCarthy,1982 *Retail Management*,1944 Popular Mechanics,1986-01 Popular Mechanics inspires instructs and influences readers to help them master the modern world Whether it s practical DIY home improvement tips gadgets and digital technology information on the newest cars or the latest breakthroughs in science PM is the ultimate guide to our high tech lifestyle *Sweet's Catalog File*,1985 **Green Building Products, 3rd Edition** Alex Wilson,Mark Piepkorn,2008-01-01 Interest in sustainable green building practices is greater than ever Whether concerned about allergies energy costs old growth forests or durability and long term value homeowners and builders are looking for ways to ensure that their homes are healthy safe beautiful and efficient In these pages are descriptions and manufacturer contact information for more than 1 400 environmentally preferable products and materials All phases of residential construction from sitework to flooring to renewable energy are covered Products are grouped by function and each chapter begins with a discussion of key environmental considerations and what to look for in a green product Over 40% revised this updated edition includes over 120 new products Categories of products include Sitework and landscaping Outdoor structures Decking Foundations footers and slabs Structural systems and components Sheathing Exterior finish and trim Roofing Doors and windows Insulation Flooring and floor coverings Interior finish and trim Caulks and adhesives Paints and coatings Mechanical systems HVAC Plumbing electrical and lighting Appliances Furniture and furnishings Renewable

energy Distributors and retailers An index of products and manufacturers makes for easy navigation There is no more comprehensive resource for both the engaged homeowner and those who design and build homes *The National Union Catalog, Pre-1956 Imprints* Library of Congress, American Library Association. Committee on Resources of American Libraries. National Union Catalog Subcommittee, 1972 List of Inspected Electrical Appliances, 1928 Catalog of Copyright Entries. New Series Library of Congress. Copyright Office, 1940 Includes Part 1 Books Group 1 Nos 1 12 1940 1943 **National Hardware Bulletin**, 1944 Better Homes and Gardens, 1988 Stores, 1944 **Popular Mechanics**, 1985-06 Popular Mechanics inspires instructs and influences readers to help them master the modern world Whether it s practical DIY home improvement tips gadgets and digital technology information on the newest cars or the latest breakthroughs in science PM is the ultimate guide to our high tech lifestyle **Catalogue of Copyright Entries**, 1954 *Popular Mechanics*, 1985-01 Popular Mechanics inspires instructs and influences readers to help them master the modern world Whether it s practical DIY home improvement tips gadgets and digital technology information on the newest cars or the latest breakthroughs in science PM is the ultimate guide to our high tech lifestyle *Popular Mechanics*, 1982

As recognized, adventure as competently as experience virtually lesson, amusement, as with ease as conformity can be gotten by just checking out a books **Ge Appliances Service Manual** next it is not directly done, you could resign yourself to even more roughly speaking this life, something like the world.

We come up with the money for you this proper as competently as simple habit to get those all. We offer Ge Appliances Service Manual and numerous ebook collections from fictions to scientific research in any way. along with them is this Ge Appliances Service Manual that can be your partner.

https://staging.conocer.cide.edu/files/scholarship/Documents/Life_Of_A_Call_Girls_Daughter.pdf

Table of Contents Ge Appliances Service Manual

1. Understanding the eBook Ge Appliances Service Manual
 - The Rise of Digital Reading Ge Appliances Service Manual
 - Advantages of eBooks Over Traditional Books
2. Identifying Ge Appliances Service Manual
 - Exploring Different Genres
 - Considering Fiction vs. Non-Fiction
 - Determining Your Reading Goals
3. Choosing the Right eBook Platform
 - Popular eBook Platforms
 - Features to Look for in an Ge Appliances Service Manual
 - User-Friendly Interface
4. Exploring eBook Recommendations from Ge Appliances Service Manual
 - Personalized Recommendations
 - Ge Appliances Service Manual User Reviews and Ratings
 - Ge Appliances Service Manual and Bestseller Lists
5. Accessing Ge Appliances Service Manual Free and Paid eBooks

- Ge Appliances Service Manual Public Domain eBooks
- Ge Appliances Service Manual eBook Subscription Services
- Ge Appliances Service Manual Budget-Friendly Options
- 6. Navigating Ge Appliances Service Manual eBook Formats
 - ePub, PDF, MOBI, and More
 - Ge Appliances Service Manual Compatibility with Devices
 - Ge Appliances Service Manual Enhanced eBook Features
- 7. Enhancing Your Reading Experience
 - Adjustable Fonts and Text Sizes of Ge Appliances Service Manual
 - Highlighting and Note-Taking Ge Appliances Service Manual
 - Interactive Elements Ge Appliances Service Manual
- 8. Staying Engaged with Ge Appliances Service Manual
 - Joining Online Reading Communities
 - Participating in Virtual Book Clubs
 - Following Authors and Publishers Ge Appliances Service Manual
- 9. Balancing eBooks and Physical Books Ge Appliances Service Manual
 - Benefits of a Digital Library
 - Creating a Diverse Reading Collection Ge Appliances Service Manual
- 10. Overcoming Reading Challenges
 - Dealing with Digital Eye Strain
 - Minimizing Distractions
 - Managing Screen Time
- 11. Cultivating a Reading Routine Ge Appliances Service Manual
 - Setting Reading Goals Ge Appliances Service Manual
 - Carving Out Dedicated Reading Time
- 12. Sourcing Reliable Information of Ge Appliances Service Manual
 - Fact-Checking eBook Content of Ge Appliances Service Manual
 - Distinguishing Credible Sources
- 13. Promoting Lifelong Learning
 - Utilizing eBooks for Skill Development

- Exploring Educational eBooks
14. Embracing eBook Trends
- Integration of Multimedia Elements
 - Interactive and Gamified eBooks

Ge Appliances Service Manual Introduction

In this digital age, the convenience of accessing information at our fingertips has become a necessity. Whether its research papers, eBooks, or user manuals, PDF files have become the preferred format for sharing and reading documents. However, the cost associated with purchasing PDF files can sometimes be a barrier for many individuals and organizations. Thankfully, there are numerous websites and platforms that allow users to download free PDF files legally. In this article, we will explore some of the best platforms to download free PDFs. One of the most popular platforms to download free PDF files is Project Gutenberg. This online library offers over 60,000 free eBooks that are in the public domain. From classic literature to historical documents, Project Gutenberg provides a wide range of PDF files that can be downloaded and enjoyed on various devices. The website is user-friendly and allows users to search for specific titles or browse through different categories. Another reliable platform for downloading Ge Appliances Service Manual free PDF files is Open Library. With its vast collection of over 1 million eBooks, Open Library has something for every reader. The website offers a seamless experience by providing options to borrow or download PDF files. Users simply need to create a free account to access this treasure trove of knowledge. Open Library also allows users to contribute by uploading and sharing their own PDF files, making it a collaborative platform for book enthusiasts. For those interested in academic resources, there are websites dedicated to providing free PDFs of research papers and scientific articles. One such website is Academia.edu, which allows researchers and scholars to share their work with a global audience. Users can download PDF files of research papers, theses, and dissertations covering a wide range of subjects. Academia.edu also provides a platform for discussions and networking within the academic community. When it comes to downloading Ge Appliances Service Manual free PDF files of magazines, brochures, and catalogs, Issuu is a popular choice. This digital publishing platform hosts a vast collection of publications from around the world. Users can search for specific titles or explore various categories and genres. Issuu offers a seamless reading experience with its user-friendly interface and allows users to download PDF files for offline reading. Apart from dedicated platforms, search engines also play a crucial role in finding free PDF files. Google, for instance, has an advanced search feature that allows users to filter results by file type. By specifying the file type as "PDF," users can find websites that offer free PDF downloads on a specific topic. While downloading Ge Appliances Service Manual free PDF files is convenient, its important to note that copyright laws must be respected. Always ensure that the PDF files you download are legally

available for free. Many authors and publishers voluntarily provide free PDF versions of their work, but its essential to be cautious and verify the authenticity of the source before downloading Ge Appliances Service Manual. In conclusion, the internet offers numerous platforms and websites that allow users to download free PDF files legally. Whether its classic literature, research papers, or magazines, there is something for everyone. The platforms mentioned in this article, such as Project Gutenberg, Open Library, Academia.edu, and Issuu, provide access to a vast collection of PDF files. However, users should always be cautious and verify the legality of the source before downloading Ge Appliances Service Manual any PDF files. With these platforms, the world of PDF downloads is just a click away.

FAQs About Ge Appliances Service Manual Books

What is a Ge Appliances Service Manual PDF? A PDF (Portable Document Format) is a file format developed by Adobe that preserves the layout and formatting of a document, regardless of the software, hardware, or operating system used to view or print it. **How do I create a Ge Appliances Service Manual PDF?** There are several ways to create a PDF: Use software like Adobe Acrobat, Microsoft Word, or Google Docs, which often have built-in PDF creation tools. Print to PDF: Many applications and operating systems have a "Print to PDF" option that allows you to save a document as a PDF file instead of printing it on paper. Online converters: There are various online tools that can convert different file types to PDF. **How do I edit a Ge Appliances Service Manual PDF?** Editing a PDF can be done with software like Adobe Acrobat, which allows direct editing of text, images, and other elements within the PDF. Some free tools, like PDFescape or Smallpdf, also offer basic editing capabilities. **How do I convert a Ge Appliances Service Manual PDF to another file format?** There are multiple ways to convert a PDF to another format: Use online converters like Smallpdf, Zamzar, or Adobe Acrobats export feature to convert PDFs to formats like Word, Excel, JPEG, etc. Software like Adobe Acrobat, Microsoft Word, or other PDF editors may have options to export or save PDFs in different formats. **How do I password-protect a Ge Appliances Service Manual PDF?** Most PDF editing software allows you to add password protection. In Adobe Acrobat, for instance, you can go to "File" -> "Properties" -> "Security" to set a password to restrict access or editing capabilities. Are there any free alternatives to Adobe Acrobat for working with PDFs? Yes, there are many free alternatives for working with PDFs, such as: LibreOffice: Offers PDF editing features. PDFsam: Allows splitting, merging, and editing PDFs. Foxit Reader: Provides basic PDF viewing and editing capabilities. How do I compress a PDF file? You can use online tools like Smallpdf, ILovePDF, or desktop software like Adobe Acrobat to compress PDF files without significant quality loss. Compression reduces the file size, making it easier to share and download. Can I fill out forms in a PDF file? Yes, most PDF viewers/editors like Adobe Acrobat, Preview (on Mac), or various online tools allow you to fill out forms in PDF files by selecting text fields and entering

information. Are there any restrictions when working with PDFs? Some PDFs might have restrictions set by their creator, such as password protection, editing restrictions, or print restrictions. Breaking these restrictions might require specific software or tools, which may or may not be legal depending on the circumstances and local laws.

Find Ge Appliances Service Manual :

life of a call girls daughter

life of ones own three gifted women and th

life of ludwig mond

lifes 2 percent solution

life line harlequin intrigue no 143

lifepac math grade 1 part 1

life in the ancient indus river valley

life science content and learning strategies

life of cellini

life in search of readers readingin chicano/a literature

life in windy weather short stories

life of a bean

life principles bible nkjv 2465i thumb indexed black bonded leather gilded gold page edges

life watch

~~life is easy dreams recipes for happiness on earth nightly lullabies~~

Ge Appliances Service Manual :

take off your glasses and see a mind body approach to - Dec 29 2022

web this revolutionary new look at vision will broaden your understanding of how you see and how y take off your glasses and see a mind body approach to expanding your eyesight and insight by jacob liberman goodreads

take off your glasses and see a mind body approach to expanding your - Jul 24 2022

web this revolutionary new look at vision will broaden your understanding of how you see and how you can see without your glasses or contact lenses nbsp nbsp nbsp nbsp take off your glasses and see shows you how to free yourself from the crutch of prescription lenses to build your self confidence and awareness and to open up your inner and

take off your glasses and see a mind body approach to expanding your - May 02 2023

web jun 21 2022 take off your glasses and see a mind body approach to expanding your eyesight and insight by liberman jacob 1947 publication date 1995 topics behavioral optometry vision ocular visual perception vision disorders therapy health behavior holistic health mind body relations metaphysical publisher

take your eyes off of idioms by the free dictionary - Feb 16 2022

web definition of take your eyes off of in the idioms dictionary take your eyes off of phrase what does take your eyes off of expression mean definitions by the largest idiom dictionary see also take eyes off not take one s eyes off someone or something not take your eyes off somebody something see something against something else

definition of take your eyes off something collins online - Apr 20 2022

web take your eyes off something definition when you take your eyes off the thing you have been watching or looking at you stop meaning pronunciation translations and examples

take off your glasses and see a mind body approach to expanding your - Jun 03 2023

web by removing lenses and practicing breath and movement awareness techniques to shift your perception you can reintegrate the original disruption in the mind body system dr liberman s approach can help you join the thousands who have escaped from the self defeating cycle of poor vision

amazon com customer reviews take off your glasses and see a mind - Aug 25 2022

web take off your glasses and see a mind body approach to expanding your customer reviews how customer reviews and ratings work positive reviews oxbow life changing read more read more 6 people found this helpful sign in to filter reviews 274 total ratings 106 with reviews from the united states oxbow life changing

take off your glasses and see on apple books - Jan 30 2023

web feb 28 1995 this revolutionary new look at vision will broaden your understanding of how you see and how you can see without your glasses or contact lenses take off your glasses and see shows you how to free yourself from the crutch of prescription lenses to build your self confidence and awareness and to open up your inner and outer vision in

take off your glasses and see a mind body approach to expanding your - Oct 27 2022

web buy take off your glasses and see a mind body approach to expanding your eyesight and insight online on amazon eg at best prices fast and free shipping free returns cash on delivery available on eligible purchase

take off your glasses and see a mind body approach to expanding your - Oct 07 2023

web nov 14 1995 take off your glasses and see a mind body approach to expanding your eyesight and insight liberman jacob on amazon com free shipping on qualifying offers

take off your glasses and see google books - Jul 04 2023

web jun 22 2011 take off your glasses and see a mind body approach to expanding your eyesight and insight jacob liberman harmony rodale jun 22 2011 health fitness 288 pages this revolutionary

take off your glasses and see a mind body approach to expanding your - May 22 2022

web książka take off your glasses and see a mind body approach to expanding your eyesight and insight autorstwa liberman jacob dostępna w sklepie empik com w cenie 74 74 zł przeczytaj recenzję take off your glasses and see a mind body approach to expanding your eyesight and insight zamów dostawę do dowolnego salonu i zapłać

take off your glasses and see a mind body approach to - Sep 06 2023

web feb 28 1995 by removing lenses and practicing breath and movement awareness techniques to shift your perception you can reintegrate the original disruption in the mind body system dr liberman s approach can help you join the thousands who have escaped from the self defeating cycle of poor vision

take off your glasses and see a mind body approach to expanding your - Aug 05 2023

web buy take off your glasses and see a mind body approach to expanding your eyesight and insight reissue by liberman jacob isbn 9780517886045 from amazon s book store everyday low prices and free delivery on eligible orders

take off your glasses and see a mind body approach to - Sep 25 2022

web take off your glasses and see a mind body approach to expanding your eyesight and insight by liberman jacob at abebooks co uk isbn 10 0517886049 isbn 13 9780517886045 crown publications 1995 softcover

take eyes off idioms by the free dictionary - Mar 20 2022

web definition of take eyes off in the idioms dictionary take eyes off phrase what does take eyes off expression mean definitions by the largest idiom dictionary

download take off your glasses and see a mind body approach - Jun 22 2022

web jun 22 2011 take off your glasses and see a mind body approach to expanding your eyesight and insight author jacob liberman publisher random house publishing group category body mind spirit released date 2011 06 22 language english format epub pages 374 total downloads 259 total views 479 rating

take off your glasses and see a mind body approach to expanding your - Feb 28 2023

web nov 14 1995 this revolutionary new look at vision will broaden your understanding of how you see and how you can see without your glasses or contact lenses take off your glasses and see shows you how to free yourself from the crutch of prescription lenses to build your self confidence and awareness and to open up your inner and outer vision in

take off your glasses and see a mind body approach to - Apr 01 2023

web by removing lenses and practicing breath and movement awareness techniques to shift your perception you can reintegrate the original disruption in the mind body system

take off your glasses and see a mind body approach to expanding your - Nov 27 2022

web take off your glasses and see a mind body approach to expanding your eyesight and insight ebook liberman jacob israel amazon com au kindle store

free rectangle box template vector file freeimages - Nov 28 2022

web looking for free rectangle box template vector in ai svg eps or cdr get the best rectangle box template vector image no copyright free royalty free images

67 results for rectangle box packaging mockup in templates - May 23 2022

web psdt mockup of closed customizable rectangular box 60mm x 140mm psdt paper boxes with roses mockup psdt mockup of closed customizable rectangular box 38mm x 57mm psdt mockup of flattened customizable rectangular box 110mm x 30mm x 110mm psdt small square box mockups

free rectangular box mock up in psd free psd templates - Jun 23 2022

web dec 19 2017 easily customize this mockup in photoshop and enjoy the results this free rectangular box mockup can be good for implementing a lot of designers ideas as well enjoy this mock up from free psd templates and follow us on facebook it was created exclusively for our website the mock up is fully layered and well organized

packaging design for beginners how to create a simple box - Apr 02 2023

web feb 23 2023 using adobe illustrator and adobe indesign here we ll create a template for a simple rectangular box that s adaptable for cosmetics and other products we ll also look at how you can add pattern and type to your box quickly and easily this is a great all round introduction to creative packaging design for beginners

rectangular box psd 39 000 high quality free psd templates - Aug 06 2023

web find download the most popular rectangular box psd on freepik free for commercial use high quality images made for creative projects freepik psd

217 results for rectangle box in templates adobe stock - Dec 30 2022

web 217 results for rectangle box in templates create with artist designed rectangle box templates for photoshop illustrator indesign premiere pro and premiere rush save templates with creative cloud libraries

5200 rectangular box templates free download ai psd - Jan 31 2023

web welcome to download free rectangular box templates in psd and ai format rectangular box poster templates rectangular box banner design rectangular box flyers on lovepik com to make your work easy and efficient

rectangle box mockup free vectors psds to download - Jul 05 2023

web you can find download the most popular rectangle box mockup vectors on freepik there are more than 95 000 vectors stock photos psd files remember that these high quality images are free for commercial use

rectangular box images free download on freepik - Jun 04 2023

web you can find download the most popular rectangular box vectors on freepik there are more than 95 000 vectors stock photos psd files remember that these high quality images are free for commercial use

free box templates to download or design online packhelp - Sep 07 2023

web our range includes gift box templates dielines for shipping and mailing boxes retail boxes and so much more download our box templates to create your ideal packaging design or use our unituitive online designer then download and print your packaging

rectangle box template customboxline - Apr 21 2022

web rectangle box template standard templates download looking for a custom size template our cad engineers can create a template for your specific box size charges apply on all custom templates all templates are subject to an expert review depending on the card stock used our templates may require slight adjustments request for quote

free rectangular box template vector file freeimages - Aug 26 2022

web 327 free rectangular box template vectors and royalty free rectangular box template vectors personal and commercial use looking for rectangular box template photos go to photos related images from save now looking for free rectangular box template vector in ai svg eps or cdr

rectangular box vectors illustrations for free download freepik - May 03 2023

web find download the most popular rectangular box vectors on freepik free for commercial use high quality images made for creative projects

rectangle box vector art icons and graphics for free - Mar 01 2023

web view download available for 3 days 3 hours 53 mins 44 secs browse 9 720 incredible rectangle box vectors icons clipart graphics and backgrounds for royalty free download from the creative contributors at vecteezy

10 best rectangular box templates designs - Feb 17 2022

web 10 best rectangular box templates designs you have an odd shaped gift and you want to wrap it simply make a box for it take the measurement of the gift and pick from our collection of rectangular box template and print it

rectangular box designs themes templates and downloadable - Oct 28 2022

web rectangular box inspirational designs illustrations and graphic elements from the world s best designers want more inspiration free wooden box mockup psd template like mockupfree co like 13 1 2k view paper box cube box pack box stationery box parcel box design paper box cube box pack box stationery box parcel box design

rectangle box template free vectors psds to download - Oct 08 2023

web find download free graphic resources for rectangle box template 95 000 vectors stock photos psd files free for

commercial use high quality images you can find download the most popular rectangle box template vectors on freepik

rectangular box images free photos png stickers rawpixel - Mar 21 2022

web rectangular box free pngs stickers photos aesthetic backgrounds and wallpapers vector illustrations and art high quality premium images psd mockups and templates all safe for commercial use

rectangular box template graphic by designs nook - Sep 26 2022

web click here and download the rectangular box template graphic window mac linux last updated 2023 commercial licence included

10 rectangle box templates doc pdf - Jul 25 2022

web a rectangle box template is a tool that you can use in so many different ways they are designed in such a way that the cutout is going to be easy for you in fact the design layout of every pillow box template is clear which means you will never have to worry about wrong cutouts at all

tokyo ghoul re 16 volume 16 ishida sui amazon com tr - Apr 11 2023

web birleşik krallık ta 1 mayıs 2020 tarihinde değerlendirildi doğrulanmış alışveriş the 16th and final volume of tokyo ghoul re is here and the collection is finally completed this volume is twice the size of the previous volumes and leaves us with a bittersweet send off

tokyo ghoul re complete box set includes vols 1 16 with - Jul 02 2022

web in the world of tokyo ghoul sometimes the only way to fight monsters is to become one a box set that includes all 16 volumes of the original tokyo ghoul re series with an exclusive double sided poster

tokyo ghoul re vol 16 16 amazon com - Jun 01 2022

web apr 21 2020 save 50 on 1 when you buy 2 shop items in the world of tokyo ghoul sometimes the only way to fight monsters is to become one the commission of counter ghoul is the only organization fighting the ghoul menace and they will use every tool at their disposal to protect humanity from its ultimate predator

re chapter 16 tokyo ghoul wiki fandom - Nov 06 2022

web right □ mihi is the sixteenth chapter of the manga tokyo ghoul re juuzou suzuya hanbee abara tooru mutsuki saiko yonebayashi ginshi shirazu yuquinori shinohara touka kirishima haise sasaki kuki urie akira mado nutcracker the auction mopping up operation begins in one week and juuzou suzuya

tokyo ghoul re 16 ishida sui amazon com tr - Feb 09 2023

web tokyo ghoul re 16 ishida sui amazon com tr Çerez tercihlerinizi seçin alışveriş deneyiminizi geliştirmek hizmetlerimizi sunmak müşterilerin hizmetlerimizi nasıl kullandığını anlayarak iyileştirmeler yapabilmek ve tanıtımları gösterebilmek için çerezler ve benzeri araçları kullanmaktayız

tokyo ghoul re 16 kağıt kapak 26 nisan 2019 amazon com tr - Oct 05 2022

web tokyo ghoul re 16 ishida sui belarra lópez edith amazon com tr kitap Çerez tercihlerinizi seçin Çerez bildirimimizde ayrıntılı şekilde açıklandığı üzere alışveriş yapmanızı sağlamak alışveriş deneyiminizi iyileştirmek ve hizmetlerimizi sunmak için gerekli olan çerezleri ve benzer araçları kullanırız

tokyo ghoul re 16 volume 16 sui ishida fiyat satın al d r - Jul 14 2023

web bir sui ishida eseri olan tokyo ghoul re 16 volume 16 en cazip fiyat ile d r de keşfetmek için hemen tıklayınız

tokyo ghoul re - Mar 30 2022

web tokyo ghoul re 9 14 10 Üzerinden oylamaya 1640 kişi katıldı ccg nin anteiku baskınından bu yana iki yıl geçmiştir tokyo daki atmosfer ccg nin artan nüfusundan ötürü büyük ölçüde değişse de ghoul lar hala bir tehlike unsuru olarak algılanmaktadır özellikle ccg nin kendi varlıklarına kastı olduğunu

tokyo ghoul re myanimelist net - Feb 26 2022

web tokyo ghoul re is one heck of a series from the start you are taken on the world of sasaki haise and the quinx squad the story at the beginning was quite confusing having no context about the actual series at all however the pieces start to fall in much later and the story gets more in depth than before

tokyo ghoul re tokyo ghoul wiki fandom - Jan 08 2023

web dec 19 2014 ████████████████████ re romanized title tōkyō gūru re author sui ishida original run october 16 2014 july 5 2018 published by shueisha english publisher viz media magazine weekly young jump volumes 16 179 chapters genre action drama horror psychological seinen supernatural

tokyo ghoul re vol 16 is a bittersweet ending to the series cbr - Apr 30 2022

web apr 12 2020 comic book reviews tokyo ghoul re vol 16 is a bittersweet ending to the series by maxwell freedman published apr 12 2020 scrambling for a swift conclusion the final volume of tokyo ghoul re wraps up the series well but it could have been so much more writer sui ishida artist sui ishida publisher viz price 12 99 usd release

tokyo ghoul re - Jun 13 2023

web although the atmosphere in tokyo has changed drastically due to the increased influence of the ccg ghouls continue to pose a problem as they have begun taking caution especially the terrorist organization aogiri tree who acknowledge the ccg s growing threat to their existence tokyo ghoul re chapter 180 ishida sui s final message read

tokyo gūl wiki - Dec 27 2021

web tokyo ghoul jack adlı bir önbölüm serisi ağustos eylül 2013 tarihleri arasında jump live uygulamasında çevrimiçi olarak yayınlandı tokyo ghoul re adlı devam serisi ise nisan 2014 aralık 2018 tarihleri arasında weekly young jump

tokyo ghoul re vol 16 sui ishida kitap özeti konusu ve - Mar 10 2023

web jun 29 2023 tokyo ghou re vol 16 kimin eseri tokyo ghou re vol 16 kitabının yazarı kimdir tokyo ghou re vol 16 konusu ve anafikri nedir tokyo ghou re vol 16 kitabı ne anlatıyor tokyo ghou re vol 16 pdf indirme linki var mı tokyo ghou re vol 16 kitabının yazarı sui ishida kimdir İşte tokyo ghou re vol 16 kitabı

viz read a free preview of tokyo ghou re vol 16 - Dec 07 2022

web the ghou ccg alliance secures its first victory when it rescues kaneki from the monster he was entombed within but the creature still poses a dire threat to the city as it continues to birth mutant ghouls some of which are infecting humans with a horrific form of ghouлизм the only cure lies deep in the belly of the beast itself and

re volume 16 tokyo ghou wiki fandom - Sep 04 2022

web the sixteenth and final volume of the manga tokyo ghou re ken kaneki ichika kaneki chapter 165 faded chapter 166 e t chapter 167 see through chapter 168 fragrant but chapter 169 towards the group factors chapter 170 evolution and the stars chapter 171 disappear chapter 172 enough

tokyo ghou re vol 16 tokyo ghou re 16 by sui ishida goodreads - Jan 28 2022

web mar 18 2016 saying all that i think tokyo ghou and its sequel tokyo ghou re will go down as some of my favorite mangas of all time the way sui ishida gave us a tale of kaneki a nerdy kid who gains powers far beyond him and then forced into a world only to try and change the way it is ran was super special for me

tokyo ghou re tome 16 tokyo ghou re 16 ishida sui - Aug 03 2022

web tokyo ghou re tome 16 tokyo ghou re 16 ishida sui amazon com tr Çerez tercihlerinizi seçin alışveriş deneyiminizi geliştirmek hizmetlerimizi sunmak müşterilerin hizmetlerimizi nasıl kullandığını anlayarak iyileştirmeler yapabilmek ve ilgi alanlarına göre özelleştirilmiş reklamlar da dahil olmak üzere reklamları

tokyo ghou re vol 16 16 sui ishida hepsiburada com - May 12 2023

web tokyo ghou re vol 16 16 sui ishida kitabı en iyi fiyatla burada tıkla tokyo ghou re vol 16 16 sui ishida eserini hızlı ve kolay bir şekilde satın al siparişlerim

tokyo ghou re chapter 16 - Aug 15 2023

web you are reading tokyo ghou re chapter 16 in english read chapter 16 000 of tokyo ghou re manga online on ww9 tokyoghoulre com for free there might be spoilers in the comment section so don t read the comments before reading the chapter if chapter is not working broken please comment below