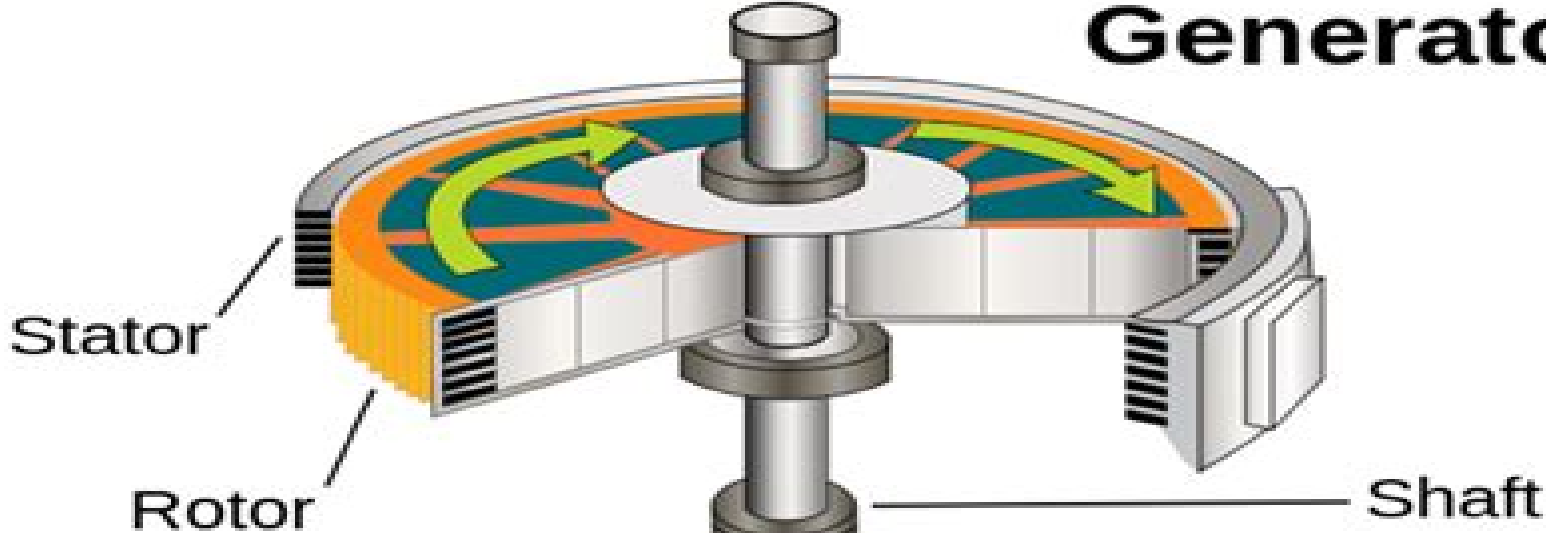
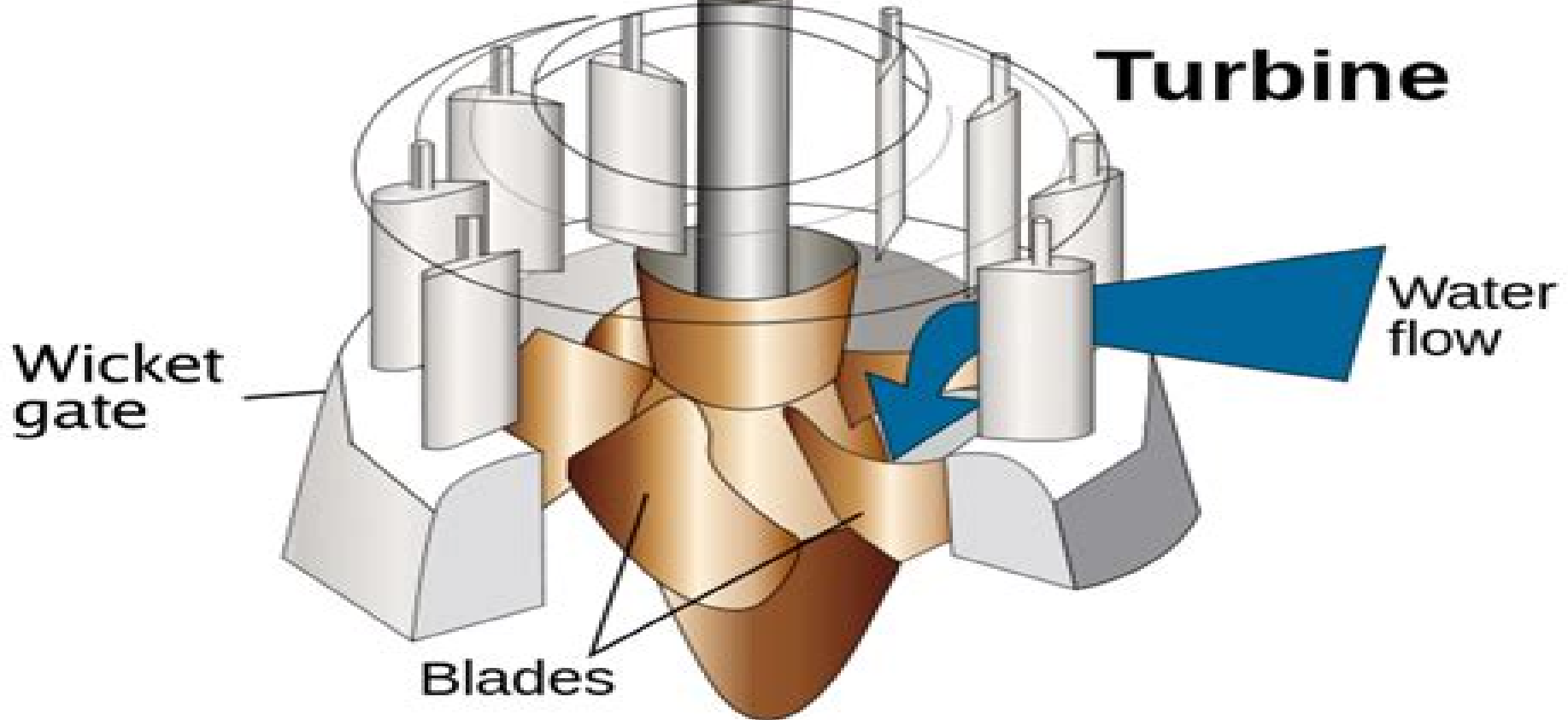


Generator



Turbine



Mechanical Overhaul Guide For Hydroelectric Turbine Generators

D Keegan



Mechanical Overhaul Guide For Hydroelectric Turbine Generators:

Fuel your quest for knowledge with Authored by is thought-provoking masterpiece, Explore **Mechanical Overhaul Guide For Hydroelectric Turbine Generators** . This educational ebook, conveniently sized in PDF (PDF Size: *), is a gateway to personal growth and intellectual stimulation. Immerse yourself in the enriching content curated to cater to every eager mind. Download now and embark on a learning journey that promises to expand your horizons. .

https://staging.conocer.cide.edu/data/browse/Documents/Honda_Gx160_Recoil_Diagram.pdf

Table of Contents Mechanical Overhaul Guide For Hydroelectric Turbine Generators

1. Understanding the eBook Mechanical Overhaul Guide For Hydroelectric Turbine Generators
 - The Rise of Digital Reading Mechanical Overhaul Guide For Hydroelectric Turbine Generators
 - Advantages of eBooks Over Traditional Books
2. Identifying Mechanical Overhaul Guide For Hydroelectric Turbine Generators
 - Exploring Different Genres
 - Considering Fiction vs. Non-Fiction
 - Determining Your Reading Goals
3. Choosing the Right eBook Platform
 - Popular eBook Platforms
 - Features to Look for in an Mechanical Overhaul Guide For Hydroelectric Turbine Generators
 - User-Friendly Interface
4. Exploring eBook Recommendations from Mechanical Overhaul Guide For Hydroelectric Turbine Generators
 - Personalized Recommendations
 - Mechanical Overhaul Guide For Hydroelectric Turbine Generators User Reviews and Ratings
 - Mechanical Overhaul Guide For Hydroelectric Turbine Generators and Bestseller Lists
5. Accessing Mechanical Overhaul Guide For Hydroelectric Turbine Generators Free and Paid eBooks
 - Mechanical Overhaul Guide For Hydroelectric Turbine Generators Public Domain eBooks
 - Mechanical Overhaul Guide For Hydroelectric Turbine Generators eBook Subscription Services
 - Mechanical Overhaul Guide For Hydroelectric Turbine Generators Budget-Friendly Options

6. Navigating Mechanical Overhaul Guide For Hydroelectric Turbine Generators eBook Formats
 - ePub, PDF, MOBI, and More
 - Mechanical Overhaul Guide For Hydroelectric Turbine Generators Compatibility with Devices
 - Mechanical Overhaul Guide For Hydroelectric Turbine Generators Enhanced eBook Features
7. Enhancing Your Reading Experience
 - Adjustable Fonts and Text Sizes of Mechanical Overhaul Guide For Hydroelectric Turbine Generators
 - Highlighting and Note-Taking Mechanical Overhaul Guide For Hydroelectric Turbine Generators
 - Interactive Elements Mechanical Overhaul Guide For Hydroelectric Turbine Generators
8. Staying Engaged with Mechanical Overhaul Guide For Hydroelectric Turbine Generators
 - Joining Online Reading Communities
 - Participating in Virtual Book Clubs
 - Following Authors and Publishers Mechanical Overhaul Guide For Hydroelectric Turbine Generators
9. Balancing eBooks and Physical Books Mechanical Overhaul Guide For Hydroelectric Turbine Generators
 - Benefits of a Digital Library
 - Creating a Diverse Reading Collection Mechanical Overhaul Guide For Hydroelectric Turbine Generators
10. Overcoming Reading Challenges
 - Dealing with Digital Eye Strain
 - Minimizing Distractions
 - Managing Screen Time
11. Cultivating a Reading Routine Mechanical Overhaul Guide For Hydroelectric Turbine Generators
 - Setting Reading Goals Mechanical Overhaul Guide For Hydroelectric Turbine Generators
 - Carving Out Dedicated Reading Time
12. Sourcing Reliable Information of Mechanical Overhaul Guide For Hydroelectric Turbine Generators
 - Fact-Checking eBook Content of Mechanical Overhaul Guide For Hydroelectric Turbine Generators
 - Distinguishing Credible Sources
13. Promoting Lifelong Learning
 - Utilizing eBooks for Skill Development
 - Exploring Educational eBooks
14. Embracing eBook Trends
 - Integration of Multimedia Elements

- Interactive and Gamified eBooks

Mechanical Overhaul Guide For Hydroelectric Turbine Generators Introduction

Free PDF Books and Manuals for Download: Unlocking Knowledge at Your Fingertips In today's fast-paced digital age, obtaining valuable knowledge has become easier than ever. Thanks to the internet, a vast array of books and manuals are now available for free download in PDF format. Whether you are a student, professional, or simply an avid reader, this treasure trove of downloadable resources offers a wealth of information, conveniently accessible anytime, anywhere. The advent of online libraries and platforms dedicated to sharing knowledge has revolutionized the way we consume information. No longer confined to physical libraries or bookstores, readers can now access an extensive collection of digital books and manuals with just a few clicks. These resources, available in PDF, Microsoft Word, and PowerPoint formats, cater to a wide range of interests, including literature, technology, science, history, and much more. One notable platform where you can explore and download free Mechanical Overhaul Guide For Hydroelectric Turbine Generators PDF books and manuals is the internet's largest free library. Hosted online, this catalog compiles a vast assortment of documents, making it a veritable goldmine of knowledge. With its easy-to-use website interface and customizable PDF generator, this platform offers a user-friendly experience, allowing individuals to effortlessly navigate and access the information they seek. The availability of free PDF books and manuals on this platform demonstrates its commitment to democratizing education and empowering individuals with the tools needed to succeed in their chosen fields. It allows anyone, regardless of their background or financial limitations, to expand their horizons and gain insights from experts in various disciplines. One of the most significant advantages of downloading PDF books and manuals lies in their portability. Unlike physical copies, digital books can be stored and carried on a single device, such as a tablet or smartphone, saving valuable space and weight. This convenience makes it possible for readers to have their entire library at their fingertips, whether they are commuting, traveling, or simply enjoying a lazy afternoon at home. Additionally, digital files are easily searchable, enabling readers to locate specific information within seconds. With a few keystrokes, users can search for keywords, topics, or phrases, making research and finding relevant information a breeze. This efficiency saves time and effort, streamlining the learning process and allowing individuals to focus on extracting the information they need. Furthermore, the availability of free PDF books and manuals fosters a culture of continuous learning. By removing financial barriers, more people can access educational resources and pursue lifelong learning, contributing to personal growth and professional development. This democratization of knowledge promotes intellectual curiosity and empowers individuals to become lifelong learners, promoting progress and innovation in various fields. It is worth noting that while accessing free Mechanical Overhaul Guide For Hydroelectric Turbine Generators PDF books and manuals is convenient and cost-effective, it is vital to respect copyright laws and

intellectual property rights. Platforms offering free downloads often operate within legal boundaries, ensuring that the materials they provide are either in the public domain or authorized for distribution. By adhering to copyright laws, users can enjoy the benefits of free access to knowledge while supporting the authors and publishers who make these resources available. In conclusion, the availability of Mechanical Overhaul Guide For Hydroelectric Turbine Generators free PDF books and manuals for download has revolutionized the way we access and consume knowledge. With just a few clicks, individuals can explore a vast collection of resources across different disciplines, all free of charge. This accessibility empowers individuals to become lifelong learners, contributing to personal growth, professional development, and the advancement of society as a whole. So why not unlock a world of knowledge today? Start exploring the vast sea of free PDF books and manuals waiting to be discovered right at your fingertips.

FAQs About Mechanical Overhaul Guide For Hydroelectric Turbine Generators Books

What is a Mechanical Overhaul Guide For Hydroelectric Turbine Generators PDF? A PDF (Portable Document Format) is a file format developed by Adobe that preserves the layout and formatting of a document, regardless of the software, hardware, or operating system used to view or print it. **How do I create a Mechanical Overhaul Guide For Hydroelectric Turbine Generators PDF?** There are several ways to create a PDF: Use software like Adobe Acrobat, Microsoft Word, or Google Docs, which often have built-in PDF creation tools. Print to PDF: Many applications and operating systems have a "Print to PDF" option that allows you to save a document as a PDF file instead of printing it on paper. Online converters: There are various online tools that can convert different file types to PDF. **How do I edit a Mechanical Overhaul Guide For Hydroelectric Turbine Generators PDF?** Editing a PDF can be done with software like Adobe Acrobat, which allows direct editing of text, images, and other elements within the PDF. Some free tools, like PDFescape or Smallpdf, also offer basic editing capabilities. **How do I convert a Mechanical Overhaul Guide For Hydroelectric Turbine Generators PDF to another file format?** There are multiple ways to convert a PDF to another format: Use online converters like Smallpdf, Zamzar, or Adobe Acrobats export feature to convert PDFs to formats like Word, Excel, JPEG, etc. Software like Adobe Acrobat, Microsoft Word, or other PDF editors may have options to export or save PDFs in different formats. **How do I password-protect a Mechanical Overhaul Guide For Hydroelectric Turbine Generators PDF?** Most PDF editing software allows you to add password protection. In Adobe Acrobat, for instance, you can go to "File" -> "Properties" -> "Security" to set a password to restrict access or editing capabilities. Are there any free alternatives to Adobe Acrobat for working with PDFs? Yes, there are many free alternatives for working with PDFs, such as: LibreOffice: Offers PDF editing features. PDFsam: Allows splitting, merging, and editing PDFs. Foxit Reader: Provides basic PDF viewing and

editing capabilities. How do I compress a PDF file? You can use online tools like Smallpdf, ILovePDF, or desktop software like Adobe Acrobat to compress PDF files without significant quality loss. Compression reduces the file size, making it easier to share and download. Can I fill out forms in a PDF file? Yes, most PDF viewers/editors like Adobe Acrobat, Preview (on Mac), or various online tools allow you to fill out forms in PDF files by selecting text fields and entering information. Are there any restrictions when working with PDFs? Some PDFs might have restrictions set by their creator, such as password protection, editing restrictions, or print restrictions. Breaking these restrictions might require specific software or tools, which may or may not be legal depending on the circumstances and local laws.

Find Mechanical Overhaul Guide For Hydroelectric Turbine Generators :

[honda gx160 recoil diagram](#)

[honda gx100 repair manual](#)

~~[honda discount s guide](#)~~

~~[honda emergency response guide](#)~~

[honda gx160 manufacturing manual](#)

[honda fit 2004 service manual](#)

[honda f4i service manual](#)

[honda fx12 turbo wiring diagram](#)

~~[honda foreman 500 manual shift](#)~~

[honda express service katy](#)

[honda gcv135 manual service and repair](#)

[honda d15b manual](#)

[honda fit maintenance problems](#)

[honda gxv 530 v twin service manual](#)

[honda handi 3000i shop manual](#)

Mechanical Overhaul Guide For Hydroelectric Turbine Generators :

Dynamics of Mass Communication: Media in Transition Dynamics of Mass Communication: Media in Transition Dynamics of Mass Communication: Media in Transition ... Explore how the traditional mass media are dealing with shrinking audiences, evaporating advertising revenue and increased competition from the Internet. Dynamics of Mass Communication Media in

Transition | Rent Rent Dynamics of Mass Communication 12th edition (978-0073526195) today, or search our site for other textbooks by Dominick. Every textbook comes with a ... Dynamics of Mass Communication: Media in Transition ... Dynamics of Mass Communication: Media in Transition 12th Edition is written by Dominick, Joseph and published by McGraw-Hill Higher Education. The Dynamics of mass communication : media in transition The Dynamics of mass communication : media in transition ; Author: Joseph R. Dominick ; Edition: 12th ed., International student edition View all formats and ... Dynamics of Mass Communication: Media in Transition Social media, 'apps' and the new media Goliaths are new and major themes of the 12th edition. Explore how the traditional mass media are dealing with shrinking ... The Dynamics of Mass Communication - Joseph R. Dominick This work provides an introduction to the field of mass communication. It covers the major media, from books, magazines and newspapers to radio, TV, ... (PDF) Dynamics-of-Mass-Communication-Media-in ... This course focuses on the complex relationships between media, society, and the individual. How do mass communication technologies, such as newspaper, radio, ... Dynamics of Mass Communication: Media in Transition ... Dynamics of Mass Communication: Media in Transition (12th Edition). by Dominick, Joseph R. Used; Fine; Paperback. Condition: Fine; ISBN 10: 0073526193 ... Dynamics of Mass Communication: Media in Transition 12th Find 9780073526195 Dynamics of Mass Communication: Media in Transition 12th Edition by Joseph Dominick at over 30 bookstores. Buy, rent or sell. Shape packet - TPT Geometry - Identify 2D and 3D shapes worksheet and quiz packet. Created by. Sassycat Educational Resources. Shapes and Designs Practice Answers Sample answer: 9. The shape is a polygon. Angle B is acute. 10. 11. Acute angle: A, ... 7-1 Shapes and Designs - Concepts and Explanation A polygon which either has two sides with different lengths or two angles with different measures. Line (or mirror) Symmetry. Example. Line or Mirror Symmetry ... CHAPTER 5: Shapes and Designs CHAPTER 5: Shapes and Designs. Mathematics [Class 3]. 1. 1 Count the number of ... These worksheets can be uploaded on any school website. www.kv.school. Page 2 ... Shapes and Designs - NCERT Use different colour combinations to make your own patterns. Have you seen this shape in any other design — on a wall, a dress, on a basket, a mat etc ... Copy Shapes and Designs | Visual Motor Integration Copy Shapes and Designs. Shape reproduction is an important milestone that signifies ... This packet includes the Developmental appropriate level of progression. Shapes and Designs: Two-Dimensional Geometry ... Shapes and Designs: Two-Dimensional Geometry (Connected Mathematics) ; Dimensions. 7.75 x 0.25 x 9.75 inches ; ISBN-10. 0131808087 ; ISBN-13. 978-0131808089. Shapes - Autism Educators This pack includes: * 12 2" x 2" squares with 2D or 3D coloured shapes and spelling (UK) - PDF and ready to print - Designed as a dyslexia aid, ideal for home ... Color and shape packets - TPT Browse color and shape packets resources on Teachers Pay Teachers, a marketplace trusted by millions of teachers for original ... Egan's workbook answers Folder Quizlet has study tools to help you learn anything. Improve your grades and reach your goals with flashcards, practice tests and expert-written solutions ... Exam 1 - Egan's Workbook: Chapter 1 Flashcards Exam 1 - Egan's Workbook: Chapter 1. 5.0 (3 reviews). Flashcards · Learn · Test ... This question is a

Mechanical Overhaul Guide For Hydroelectric Turbine Generators

simple classic that has many possible answers. Dr. David ... Egans Chapter 27 Workbook Answer Key | PDF A. Avoid oxygen toxicity. B. Prevent aspiration. C. Prevent barotrauma and volume trauma. D. UNIT 1 Egan's Chapter 1-5 Workbook questions with ... Aug 17, 2023 — UNIT 1 Egan's Chapter 1-5 Workbook questions with correct answers ; Uploaded on August 17, 2023 ; Number of pages 11 ; Written in 2023/2024 ; Type ... Egans Wb Chp 20 Answer Key.pdf - EGANS workbook ... View Egans Wb Chp 20 Answer Key.pdf from RESPIRATOR 1013 at Northeast Mississippi Community College. EGANS workbook Answer Key Chapter 20 Kacmarek: Egan's ... Egan's Workbook 12th Edition : r/respiratorytherapy Once you open it, each chapter under student resources has a seperate .rtf file that you can open in Word that is the answer key. Upvote 4 Workbook for Egan's Fundamentals of Respiratory: 12th edition Feb 25, 2020 — Reinforce your understanding of the concepts and skills described in Egan's Fundamentals of Respiratory Care, 12th Edition! Egan's Workbook Answers: Chapter 20 Respiratory Therapy Zone: Egan's Workbook Answers: Chapter 20 - Review of Th... Egans Wb ECG's Chp.pdf - EGANS Workbook Answer Key ... EGANS Workbook Answer Key ECG's Chapter Kacmarek: Egan's Fundamentals of Respiratory Care, 11th Edition Chapter 18: Interpreting the Electrocardiogram ... Chapter 25 Egans 10th Edition Workbook Answer Key - Lung Chapter 25: Pleural Diseases. Answer Key for the Workbook. CHAPTER OBJECTIVES. 1. Describe important anatomic features and physiologic function of the.