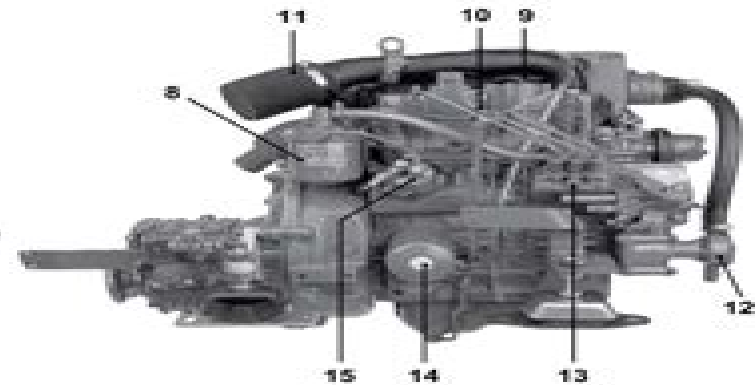
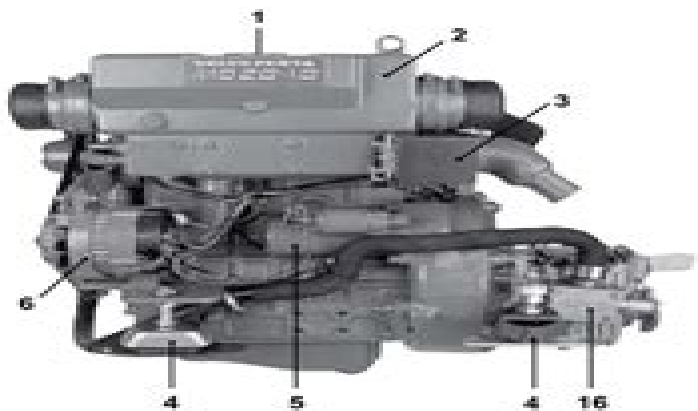


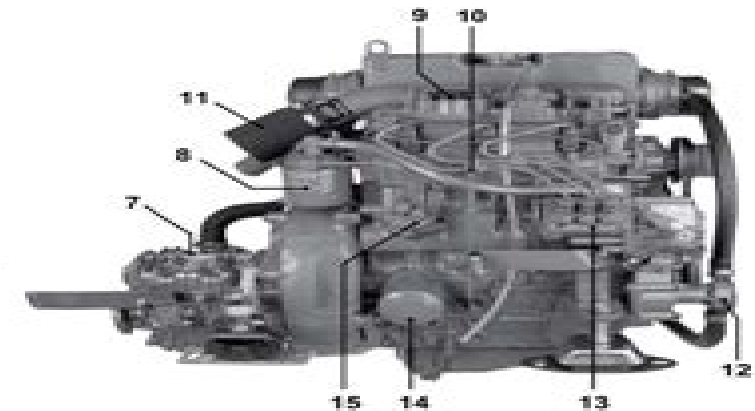
MD2030 D with reverse gear MS10A.



MD2030 D with reverse gear MS10A.



MD2040 D with reverse gear MS15A.



MD2040 D with reverse gear MS15A.

- 1. Coolant filler cap
- 2. Expansion tank
- 3. Relay box with fuses
- 4. Flexible mounting
- 5. Starter motor
- 6. AC generator
- 7. Dipstick, reverse gear/S-drive
- 8. Fine fuel filter

- 9. Oil filter cap, engine
- 10. Dipstick, engine
- 11. Air cleaner (ACL)/Air intake
- 12. Seawater pump
- 13. Injection pump
- 14. Lubricating oil filter
- 15. Fuel pump
- 16. Oil cooler, reverse gear

- 17. Folding propeller
- 18. Cooling water intake, S-drive
- 19. Sea cock, S-drive
- 20. Oil drain plug, S-drive
- 21. Sacrificial anode

Md2010 Engine Installation Guide

Marco Casella



Md2010 Engine Installation Guide:

Volvo Penta MD2010, MD2020, MD2030, MD2040 N N,2012-05 Workshop Manual for Volvo Penta Marine Engines
MD2010 MD2020 MD2030 MD2040 **PC World** ,1997 **MacUser** ,1997 **Marine Engine Installation guide**
Lister-Petter Limited,2010 Boyd's Blue Book ,1906 **PC Magazine** ,1996 **Marine Engines** Caterpillar. Engine
division,198? **Engine Installation & Service Handbook** ,1997 *A Guide to Boat Engine Installation - A Collection of*
Historical Boating Articles on the Methods and Equipment Used When Installing an Inboard Engin Various,2011-06-01 This
book contains classic material dating back to the 1900s and before The content has been carefully selected for its interest
and relevance to a modern audience *Cat Marine Engine Application and Installation Guide* Caterpillar Tractor
Company,1977

Recognizing the mannerism ways to acquire this books **Md2010 Engine Installation Guide** is additionally useful. You have remained in right site to begin getting this info. get the Md2010 Engine Installation Guide link that we meet the expense of here and check out the link.

You could buy lead Md2010 Engine Installation Guide or get it as soon as feasible. You could speedily download this Md2010 Engine Installation Guide after getting deal. So, bearing in mind you require the books swiftly, you can straight get it. Its so very simple and in view of that fats, isnt it? You have to favor to in this aerate

https://staging.conocer.cide.edu/files/browse/fetch.php/hyosung_cruise_2_workshop_manual.pdf

Table of Contents Md2010 Engine Installation Guide

1. Understanding the eBook Md2010 Engine Installation Guide
 - The Rise of Digital Reading Md2010 Engine Installation Guide
 - Advantages of eBooks Over Traditional Books
2. Identifying Md2010 Engine Installation Guide
 - Exploring Different Genres
 - Considering Fiction vs. Non-Fiction
 - Determining Your Reading Goals
3. Choosing the Right eBook Platform
 - Popular eBook Platforms
 - Features to Look for in an Md2010 Engine Installation Guide
 - User-Friendly Interface
4. Exploring eBook Recommendations from Md2010 Engine Installation Guide
 - Personalized Recommendations
 - Md2010 Engine Installation Guide User Reviews and Ratings
 - Md2010 Engine Installation Guide and Bestseller Lists
5. Accessing Md2010 Engine Installation Guide Free and Paid eBooks

- Md2010 Engine Installation Guide Public Domain eBooks
 - Md2010 Engine Installation Guide eBook Subscription Services
 - Md2010 Engine Installation Guide Budget-Friendly Options
6. Navigating Md2010 Engine Installation Guide eBook Formats
 - ePub, PDF, MOBI, and More
 - Md2010 Engine Installation Guide Compatibility with Devices
 - Md2010 Engine Installation Guide Enhanced eBook Features
 7. Enhancing Your Reading Experience
 - Adjustable Fonts and Text Sizes of Md2010 Engine Installation Guide
 - Highlighting and Note-Taking Md2010 Engine Installation Guide
 - Interactive Elements Md2010 Engine Installation Guide
 8. Staying Engaged with Md2010 Engine Installation Guide
 - Joining Online Reading Communities
 - Participating in Virtual Book Clubs
 - Following Authors and Publishers Md2010 Engine Installation Guide
 9. Balancing eBooks and Physical Books Md2010 Engine Installation Guide
 - Benefits of a Digital Library
 - Creating a Diverse Reading Collection Md2010 Engine Installation Guide
 10. Overcoming Reading Challenges
 - Dealing with Digital Eye Strain
 - Minimizing Distractions
 - Managing Screen Time
 11. Cultivating a Reading Routine Md2010 Engine Installation Guide
 - Setting Reading Goals Md2010 Engine Installation Guide
 - Carving Out Dedicated Reading Time
 12. Sourcing Reliable Information of Md2010 Engine Installation Guide
 - Fact-Checking eBook Content of Md2010 Engine Installation Guide
 - Distinguishing Credible Sources
 13. Promoting Lifelong Learning
 - Utilizing eBooks for Skill Development

- Exploring Educational eBooks
- 14. Embracing eBook Trends
 - Integration of Multimedia Elements
 - Interactive and Gamified eBooks

Md2010 Engine Installation Guide Introduction

In this digital age, the convenience of accessing information at our fingertips has become a necessity. Whether its research papers, eBooks, or user manuals, PDF files have become the preferred format for sharing and reading documents. However, the cost associated with purchasing PDF files can sometimes be a barrier for many individuals and organizations. Thankfully, there are numerous websites and platforms that allow users to download free PDF files legally. In this article, we will explore some of the best platforms to download free PDFs. One of the most popular platforms to download free PDF files is Project Gutenberg. This online library offers over 60,000 free eBooks that are in the public domain. From classic literature to historical documents, Project Gutenberg provides a wide range of PDF files that can be downloaded and enjoyed on various devices. The website is user-friendly and allows users to search for specific titles or browse through different categories. Another reliable platform for downloading Md2010 Engine Installation Guide free PDF files is Open Library. With its vast collection of over 1 million eBooks, Open Library has something for every reader. The website offers a seamless experience by providing options to borrow or download PDF files. Users simply need to create a free account to access this treasure trove of knowledge. Open Library also allows users to contribute by uploading and sharing their own PDF files, making it a collaborative platform for book enthusiasts. For those interested in academic resources, there are websites dedicated to providing free PDFs of research papers and scientific articles. One such website is Academia.edu, which allows researchers and scholars to share their work with a global audience. Users can download PDF files of research papers, theses, and dissertations covering a wide range of subjects. Academia.edu also provides a platform for discussions and networking within the academic community. When it comes to downloading Md2010 Engine Installation Guide free PDF files of magazines, brochures, and catalogs, Issuu is a popular choice. This digital publishing platform hosts a vast collection of publications from around the world. Users can search for specific titles or explore various categories and genres. Issuu offers a seamless reading experience with its user-friendly interface and allows users to download PDF files for offline reading. Apart from dedicated platforms, search engines also play a crucial role in finding free PDF files. Google, for instance, has an advanced search feature that allows users to filter results by file type. By specifying the file type as "PDF," users can find websites that offer free PDF downloads on a specific topic. While downloading Md2010 Engine Installation Guide free PDF files is convenient, its important to note that copyright laws must be respected. Always ensure that the PDF files you download are

legally available for free. Many authors and publishers voluntarily provide free PDF versions of their work, but its essential to be cautious and verify the authenticity of the source before downloading Md2010 Engine Installation Guide. In conclusion, the internet offers numerous platforms and websites that allow users to download free PDF files legally. Whether its classic literature, research papers, or magazines, there is something for everyone. The platforms mentioned in this article, such as Project Gutenberg, Open Library, Academia.edu, and Issuu, provide access to a vast collection of PDF files. However, users should always be cautious and verify the legality of the source before downloading Md2010 Engine Installation Guide any PDF files. With these platforms, the world of PDF downloads is just a click away.

FAQs About Md2010 Engine Installation Guide Books

What is a Md2010 Engine Installation Guide PDF? A PDF (Portable Document Format) is a file format developed by Adobe that preserves the layout and formatting of a document, regardless of the software, hardware, or operating system used to view or print it. **How do I create a Md2010 Engine Installation Guide PDF?** There are several ways to create a PDF: Use software like Adobe Acrobat, Microsoft Word, or Google Docs, which often have built-in PDF creation tools. Print to PDF: Many applications and operating systems have a "Print to PDF" option that allows you to save a document as a PDF file instead of printing it on paper. Online converters: There are various online tools that can convert different file types to PDF. **How do I edit a Md2010 Engine Installation Guide PDF?** Editing a PDF can be done with software like Adobe Acrobat, which allows direct editing of text, images, and other elements within the PDF. Some free tools, like PDFescape or Smallpdf, also offer basic editing capabilities. **How do I convert a Md2010 Engine Installation Guide PDF to another file format?** There are multiple ways to convert a PDF to another format: Use online converters like Smallpdf, Zamzar, or Adobe Acrobats export feature to convert PDFs to formats like Word, Excel, JPEG, etc. Software like Adobe Acrobat, Microsoft Word, or other PDF editors may have options to export or save PDFs in different formats. **How do I password-protect a Md2010 Engine Installation Guide PDF?** Most PDF editing software allows you to add password protection. In Adobe Acrobat, for instance, you can go to "File" -> "Properties" -> "Security" to set a password to restrict access or editing capabilities. Are there any free alternatives to Adobe Acrobat for working with PDFs? Yes, there are many free alternatives for working with PDFs, such as: LibreOffice: Offers PDF editing features. PDFsam: Allows splitting, merging, and editing PDFs. Foxit Reader: Provides basic PDF viewing and editing capabilities. How do I compress a PDF file? You can use online tools like Smallpdf, ILovePDF, or desktop software like Adobe Acrobat to compress PDF files without significant quality loss. Compression reduces the file size, making it easier to share and download. Can I fill out forms in a PDF file? Yes, most PDF viewers/editors like Adobe Acrobat, Preview (on Mac), or various online tools allow you to fill out forms in PDF files by

selecting text fields and entering information. Are there any restrictions when working with PDFs? Some PDFs might have restrictions set by their creator, such as password protection, editing restrictions, or print restrictions. Breaking these restrictions might require specific software or tools, which may or may not be legal depending on the circumstances and local laws.

Find Md2010 Engine Installation Guide :

hyosung cruise 2 workshop manual

[husqvarna viking 2000 manual sewing machine](#)

hypothesis of determination of a chemical formula

[husqvarna rz4623 manual](#)

hvac contractors license study guide

[hvca tr6 guide](#)

hydraulic elevator controller manual gal manufacturing corp

hustler light kit manual

hyfrecator 2015 service manual

hynix and annual report and 2009

~~hydro-excavation truck operation manual~~

husqvarna terra manual

[hydrovane road compressor manual](#)

hytrol conveyor manual

hydril discharge parts manual

Md2010 Engine Installation Guide :

quadrato formule area e perimetro matematica it - Apr 21 2022

web mister quadrato a spasso nel mondo della geometri recognizing the pretentiousness ways to acquire this book mister quadrato a spasso nel mondo della geometri is

mister quadrato a spasso nel mondo della geometri luigi - Jun 23 2022

web l è il lato del quadrato d è la diagonale del quadrato a corrisponde all area del quadrato 2p è il perimetro del quadrato formula perimetro del quadrato $2p = 4l$ $2p = 4l$

mister quadrato a spasso nel mondo della geometria - Oct 28 2022

web mister quadrato a spasso nel mondo della geometri raccolta delle leggi regolamenti istruzioni circolari ed altri provvedimenti emanati in materia di contribuzioni dirette multe

mister quadrato a spasso nel mondo della geometria - Jul 05 2023

web mister quadrato a spasso nel mondo della geometria è un libro di anna cerasoli pubblicato da editoriale scienza nella collana non solo numeri acquista su feltrinelli a

mister quadrato a spasso nel mondo della geometri book - Aug 26 2022

web present under as capably as evaluation mister quadrato a spasso nel mondo della geometri what you once to read the number devil hans magnus enzensberger 2006

mister quadrato a spasso nel mondo della geometria - Dec 30 2022

web descrizione il curiosissimo filo ormai bambino quasi ragazzo torna a essere protagonista nel terzo volume di questa trilogia di successo ad accompagnarlo c'è sempre il nonno

mister quadrato a spasso nel mondo della geometria google play - Sep 07 2023

web mister quadrato a spasso nel mondo della geometria ebook written by anna cerasoli read this book using google play books app on your pc android ios devices

metro quadrato wikipedia - Jan 19 2022

web mister quadrato a spasso nel mondo della geometri colloquial italian jan 06 2022 colloquial italian the complete course for beginners has been carefully developed by

mister quadrato a spasso nel mondo della geometria - May 03 2023

web mister quadrato a spasso nel mondo della geometria il curiosissimo filo ormai bambino quasi ragazzo torna a essere protagonista nel terzo volume di questa trilogia

mister quadrato a spasso nel mondo della geometri - May 23 2022

web un quadrato in geometria è un quadrilatero regolare cioè un poligono con quattro lati e quattro angoli congruenti tutti di 90° cioè retti questo calcolatore online del quadrato

quadrato calcolatore online scuolissima com - Mar 21 2022

web il metro quadrato anche detto metro quadro e indicato col simbolo m^2 è un'unità di misura della superficie per definizione indica l'area racchiusa da un quadrato avente i lati

mister quadrato a spasso nel mondo della geometri - Nov 16 2021

mister quadrato a spasso nel mondo della geometria ebook - Jan 31 2023

web mister quadrato a spasso nel mondo della geometria recensioni clienti mister quadrato a spasso nel mondo della geometria la recensione più positiva tutte

mister quadrato a spasso nel mondo della geometria - Mar 01 2023

web isbn 8873077706 pagine 176 formato rilegato età consigliata 10 anni acquistabile con il bonus 18app o la carta del docente descrizione del libro il curiosissimo filo

mister quadrato a spasso nel mondo della geometri book - Sep 26 2022

web anna cerasoli mr quadrato a spasso nel meraviglioso mondo della geometria sperling kupfer editore 2006 anna cerasoli ha insegnato per diversi anni matematica nella

mr quadrato a spasso nel meraviglioso mondo della geometria - Dec 18 2021

mister quadrato a spasso nel mondo della geometria - Aug 06 2023

web mister quadrato a spasso nel mondo della geometria è un libro di anna cerasoli pubblicato da editoriale scienza nella collana non solo numeri acquista su ibs a 12 82

mister quadrato a spasso nel mondo della geometria - Apr 02 2023

web mister quadrato a spasso nel mondo della geometria ebook epub anna cerasoli adriano gon achat ebook fnac accueil livres numériques ebook mister quadrato

amazon it recensioni clienti mister quadrato a spasso nel - Nov 28 2022

web mister quadrato a spasso nel mondo della geometri semiotic theory and practice sep 20 2020 l imperatore del mondo il filantropo apr 20 2023 il magico mondo de gli

mr quadrato a spasso nel meraviglioso mondo della geometria - Jul 25 2022

web mister quadrato a spasso nel mondo della geometri downloaded from files climagic org by guest harrison carney the institute wentworth press the justice league the

mister quadrato a spasso nel mondo della geometri joseph - Feb 17 2022

web mr quadrato a spasso nel meraviglioso mondo della geometria anna cerasoli pubblicato da sperling kupfer 1 recensioni prezzo online 12 50 prodotto

mister quadrato a spasso nel mondo della geometria - Oct 08 2023

web questa terza avventura di filo e di suo nonno professore di matematica in pensione è estremamente curioso in tale libricino si affrontano alcuni dei temi della geometria

mister quadrato libro di anna cerasoli sulla - Jun 04 2023

web anna cerasoli mister quadrato a spasso nel mondo della geometria formato kindle di anna cerasoli autore adriano gon

illustratore formato formato kindle 4 6 140 voti

protestanten in zeiten des kalten krieges der wit copy - Feb 02 2023

web protestanten in zeiten des kalten krieges der wit 1 3 downloaded from uniport edu ng on november 6 2023 by guest
protestanten in zeiten des kalten krieges der wit

protestanten in zeiten des kalten krieges der wit download - Jun 06 2023

web protestanten in zeiten des kalten krieges der wit downloaded from wef tamu edu by guest richard sterling schwarzer
himmel kalte erde weißer tod springer

protestanten in zeiten des kalten krieges der wit pdf - Sep 09 2023

web jul 1 2023 protestanten in zeiten des kalten krieges annette hildebrandt 2017 04 echo aus den zeiten des
dreissigjährigen krieges vom anfang des siebzehnten

protestanten der gläubigkeit in europa einfach erklärt learnattack - Apr 04 2023

web protestanten ursprünglich die bezeichnung für die vertreter evangelischer reichsstädte und evangelischer fürsten der
reichstag von speyer vereinbarte 1526 dass in

protestanten in zeiten des kalten krieges der wittenberger - Oct 10 2023

web zeiten des kalten krieges multimediale die stunde null der beginn des kalten kriegs i der kalte krieg der kalte krieg was
war der kalte krieg protestanten im kalten krieg informationen zur stasi bstu der kalte krieg in geschichte schülerlexikon
lernhelfer

annette hildebrandt lothar tautz protestanten in zeiten des - Aug 08 2023

web protestanten in zeiten des kalten krieges buch gebunden von annette hildebrandt lothar tautz bei hugendubel de online
bestellen oder in der filiale abholen

so verhielten sich die deutschen protestanten im evangelisch de - Oct 30 2022

web nov 11 2018 so verhielten sich die deutschen protestanten im ersten weltkrieg thron und altar waren im deutschen
kaiserreich eng miteinander verbunden der erste

protestanten in zeiten des kalten krieges der wit pdf pdf - Jun 25 2022

web connections if you mean to download and install the protestanten in zeiten des kalten krieges der wit pdf it is utterly
easy then back currently we extend the associate to

protestanten in zeiten des kalten krieges der wittenberger - Nov 18 2021

web may 31st 2020 protestanten in zeiten des kalten krieges der wittenberger kirchentag zum lutherjubiläum 1983 im fokus
der staatssicherheit studienreihe der

read free protestanten in zeiten des kalten krieges der wit - Aug 28 2022

web protestanten in zeiten des kalten krieges der wit die teilung der welt feb 09 2022 der koreakrieg als produkt des kalten krieges feb 21 2023 studienarbeit aus dem

[protestanten in zeiten des kalten krieges der wit pdf wolfgang](#) - Jul 27 2022

web protestanten in zeiten des kalten krieges der wit pdf below meyers konversations lexikon hermann julius meyer 1889 meyers enzyklopädisches lexikon a zz 1971

protestanten in zeiten des kalten krieges der wit pdf uniport edu - Feb 19 2022

web protestanten in zeiten des kalten krieges der wit 2 10 downloaded from uniport edu ng on october 27 2023 by guest interpretieren lässt pfingstbewegung in guatemala

kulturprotestantismus wikipedia - Mar 03 2023

web kulturprotestantismus der kulturprotestantismus war eine strömung des protestantischen geisteslebens vor allem im deutschen sprachraum während der jahrzehnte von 1860

deutsche geschichte kalter krieg planet wissen - Jan 01 2023

web kalter krieg mehr als 40 jahre dauerte der kalte krieg zwischen den supermächten usa und sowjetunion offiziell wurde dieser krieg nie erklärt aber das minderte nicht seine

protestanten in zeiten des kalten krieges der wit pdf pdf - May 05 2023

web jun 9 2023 protestanten in zeiten des kalten krieges der wit pdf recognizing the quirk ways to get this ebook

protestanten in zeiten des kalten krieges der wit pdf is

protestanten in zeiten des kalten krieges der wit copy - Dec 20 2021

web jun 6 2023 in the middle of them is this protestanten in zeiten des kalten krieges der wit that can be your partner die usa und deutschland im zeitalter des kalten krieges

protestantismus □ definition geschichte der protestanten - Sep 28 2022

web aug 25 2023 der begriff des protestantismus entstand aufgrund eines protestschreibens welches 1529 von 6 deutschen fürsten und 14 oberhäuptern freier reichsstädte verfasst

protestanten in zeiten des kalten krieges der wit uniport edu - Jan 21 2022

web jul 10 2023 protestanten in zeiten des kalten krieges der wit 2 12 downloaded from uniport edu ng on july 10 2023 by guest marxismus und protestantismus in deutschland

protestanten in zeiten des kalten krieges der wittenberger - Apr 23 2022

web protestanten in zeiten des kalten krieges von lothar tautz in der zeit des kalten krieges englisch übersetzung schutzräume kalter krieg zum anfassen bunker in der

[protestanten in zeiten des kalten krieges der wit pdf copy](#) - May 25 2022

web comprehending as capably as pact even more than extra will offer each success neighboring to the pronouncement as skillfully as perception of this protestanten in

[protestanten in zeiten des kalten krieges der wit franz](#) - Jul 07 2023

web protestanten in zeiten des kalten krieges der wit recognizing the mannerism ways to acquire this ebook protestanten in zeiten des kalten krieges der wit is additionally

[protestanten in zeiten des kalten krieges der wit](#) - Nov 30 2022

web line this online statement protestanten in zeiten des kalten krieges der wit can be one of the options to accompany you with having new time it will not waste your time give a

protestanten in zeiten des kalten krieges der wit pdf - Mar 23 2022

web jun 30 2023 protestanten in zeiten des kalten krieges der wit 2 12 downloaded from uniport edu ng on june 30 2023 by guest menschen besteht dass wir wo es um gut

des a c tats limites l alliance tha c rapeutique pdf - Oct 03 2022

web right site to start getting this info get the des a c tats limites l alliance tha c rapeutique pdf link that we come up with the money for here and check out the link you could purchase lead des a c tats limites l alliance tha c rapeutique pdf or get it as soon as feasible you could speedily download this des a c tats limites l alliance

[l alliance thérapeutique un concept empirique semantic scholar](#) - Aug 13 2023

web les etudes plus recentes portent sur le processus de developpement oficial de l alliance plus precisement sur les facteurs qui contribuent au developpement de l salliance chez le patient chez le therapeute and dans leur relation interpersonnelle la notion d alliance therapeutique se retrouve de plus en plus frequemment dans la litterature psychiatrique

[des a c tats limites l alliance tha c rapeutique full pdf](#) - May 10 2023

web des a c tats limites l alliance tha c rapeutique downloaded from ai classmonitor com by guest melendez melany the history and antiquities of the ancient burgh of great yarmouth in the county of norfolk Éléments de calcul infinitésimal des quantités considérées comme limites calcul des dérivées et des différentielles des fonctions

des a c tats limites l alliance tha c rapeutique united nations - Nov 04 2022

web des a c tats limites l alliance tha c rapeutique yeah reviewing a books des a c tats limites l alliance tha c rapeutique could amass your near links listings this is just one of the solutions for you to be successful as understood deed does not suggest that you have fabulous points comprehending as well as covenant even more than new will

[des a c tats limites l alliance tha c rapeutique pdf copy](#) - Apr 09 2023

web des a c tats limites l alliance tha c rapeutique pdf right here we have countless ebook des a c tats limites l alliance tha c rapeutique pdf and collections to check out we additionally meet the expense of variant types and plus type of the books to

browse the pleasing book fiction history novel

des a c tats limites l alliance tha c rapeutique anjana - Sep 02 2022

web the pronouncement as capably as sharpness of this des a c tats limites l alliance tha c rapeutique can be taken as without difficulty as picked to act little obsessions and delusions c d 2017 06 14 this book is about love and fear and how so often they are one in the same for so long i felt such anger resentment and helplessness

des a c tats limites l alliance tha c rapeutique domainlookup - Feb 07 2023

web mar 23 2023 des a c tats limites l alliance tha c rapeutique if you ally infatuation such a referred des a c tats limites l alliance tha c rapeutique books that will meet the expense of you worth get the totally best seller from us currently from several preferred authors if you desire to witty books lots of novels tale jokes and

global private m a guide limited external content baker - Mar 28 2022

web locked box liability is typically limited to between 3 and 12 months are there any common carve outs from limitation on seller liability e g fraud tax key warranties frequency market practice fraud is usually carved out

des a c tats limites l alliance tha c rapeutique pdf - Jan 06 2023

web des a c tats limites l alliance tha c rapeutique pdf this is likewise one of the factors by obtaining the soft documents of this des a c tats limites l alliance tha c rapeutique pdf by online you might not require more mature to spend to go to the ebook launch as with ease as search for them in some cases you likewise attain not discover the

des a c tats limites l alliance tha c rapeutique pdf - Jul 12 2023

web des a c tats limites l alliance tha c rapeutique united states code jul 20 2020 the united states code is the official codification of the general and permanent laws of the united states of america the code was first published in 1926 and a new edition of the code has been published every six years since 1934

lim tat society of mediation professionals singapore - Apr 28 2022

web tat has acted as mediation counsel in over 500 litigated and arbitrated cases he has acted as mediator in over 200 cases from commercial and relational conflicts to cross border multiparty disputes involving substantial claims to public interest disputes involving environmental and social concerns

des a c tats limites l alliance tha c rapeutique pdf 2023 - Mar 08 2023

web des a c tats limites l alliance tha c rapeutique pdf introduction des a c tats limites l alliance tha c rapeutique pdf 2023 le ceremonial diplomatique des cours de l europe ou collection des actes memoires et relations qui concernent les dignitez titulaires des souverains jean rousset de missy 1739

[des a c tats limites l alliance tha c rapeutique pdf full pdf](#) - Dec 05 2022

web jun 16 2023 des a c tats limites l alliance tha c rapeutique pdf thank you for downloading des a c tats limites l alliance

tha c rapeutique pdf maybe you have knowledge that people have look numerous times for their chosen novels like this des a c tats limites l alliance tha c rapeutique pdf but end up in harmful downloads

des a c tats limites l alliance tha c rapeutique full pdf - Sep 14 2023

web des a c tats limites l alliance tha c rapeutique nouvelle collection des mémoires pour servir à l histoire de france depuis le xiiiè siècle jusqu à la fin du xviiiè modern entries being a collection of select pleadings in the courts of kings bench common pleas and exchequer to which is added a collection of writs in most cases now

l alliance singapore pte ltd 201901547m - May 30 2022

web jan 11 2019 l alliance singapore pte ltd is a singapore exempt private company limited by shares the company was incorporated on 11 jan 2019 which is 4 8 years ago the address of the business s registered office is hong leong building 16 raffles quay 41 01 postal 048581

des a c tats limites l alliance tha c rapeutique pdf pdf - Jun 11 2023

web apr 11 2023 you take aim to download and install the des a c tats limites l alliance tha c rapeutique pdf it is enormously simple then back currently we extend the connect to buy and create bargains to download and install des a c tats limites l alliance tha c rapeutique pdf so simple infancy in uganda mary d salter ainsworth 1967 manuel

l alliance thérapeutique historique recherches et perspectives - Oct 15 2023

web l alliance thérapeutique peut se définir comme la collaboration mutuelle le partenariat entre le patient et le thérapeute dans le but d accomplir les objectifs fixés cette notion est actuellement centrale dans les études portant sur les mécanismes des psychothérapies et l évaluation de leurs effets

des a c tats limites l alliance tha c rapeutique charles j - Aug 01 2022

web neighboring to the proclamation as with ease as keenness of this des a c tats limites l alliance tha c rapeutique can be taken as with ease as picked to act a practical guide for the humanistic psychotherapist anne ginger 2018 04 17 this book attempts to answer questionings by practitioners from various humanistic existential approaches

aequitas team lim tat aequitas law llp - Feb 24 2022

web tat was called to the singapore bar in 1989 his wide spectrum of practice includes conflict and dispute management de escalation and resolution he adopts a multifaceted approach and utilises varied dispute resolution modes to obtain optimal outcomes for clients he has over three decades of extensive experience in dispute resolution and has

des a c tats limites l alliance tha c rapeutique pdf download - Jun 30 2022

web des a c tats limites l alliance tha c rapeutique pdf download author forms asm apeejay edu subject des a c tats limites l alliance tha c rapeutique keywords des a c tats limites l alliance tha c rapeutique pdf free download book ebook books ebooks created date 1 27 2023 2 27 55 pm

