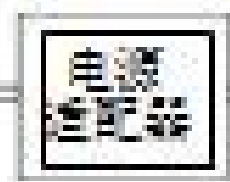
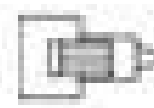


接电源(220V~/50Hz)

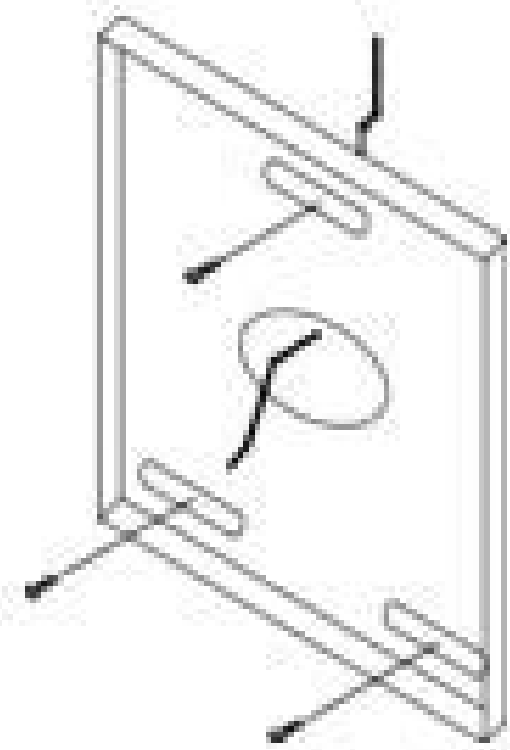
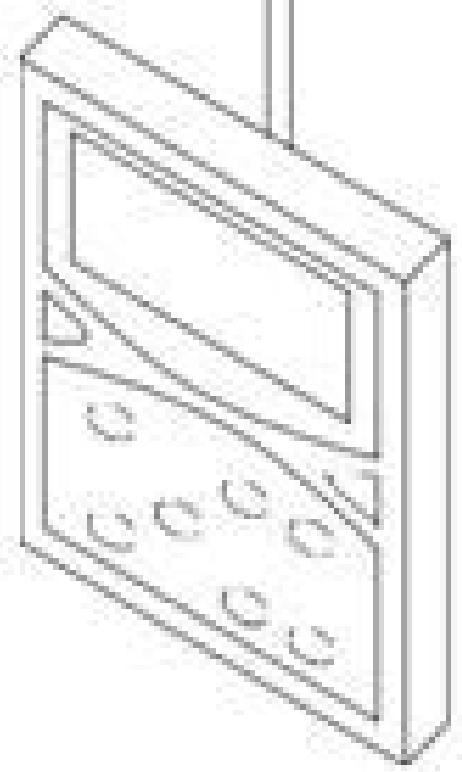
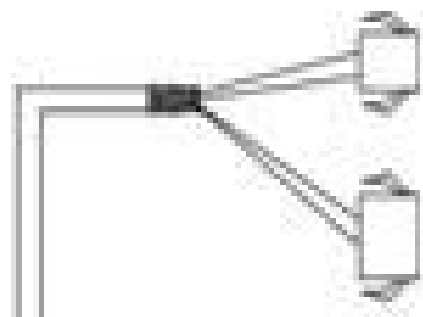


DC

AC



接控制主板



头并 @ 莫海峰第

Mcquay Thermostat User Manual

Xiang Xie



Mcquay Thermostat User Manual:

Right here, we have countless book **Mcquay Thermostat User Manual** and collections to check out. We additionally provide variant types and in addition to type of the books to browse. The okay book, fiction, history, novel, scientific research, as skillfully as various new sorts of books are readily easy to get to here.

As this Mcquay Thermostat User Manual, it ends happening monster one of the favored ebook Mcquay Thermostat User Manual collections that we have. This is why you remain in the best website to see the amazing books to have.

https://staging.conocer.cide.edu/book/scholarship/index.jsp/Hunger_Games_Final_Exam_Study_Guide_Answers.pdf

Table of Contents Mcquay Thermostat User Manual

1. Understanding the eBook Mcquay Thermostat User Manual
 - The Rise of Digital Reading Mcquay Thermostat User Manual
 - Advantages of eBooks Over Traditional Books
2. Identifying Mcquay Thermostat User Manual
 - Exploring Different Genres
 - Considering Fiction vs. Non-Fiction
 - Determining Your Reading Goals
3. Choosing the Right eBook Platform
 - Popular eBook Platforms
 - Features to Look for in an Mcquay Thermostat User Manual
 - User-Friendly Interface
4. Exploring eBook Recommendations from Mcquay Thermostat User Manual
 - Personalized Recommendations
 - Mcquay Thermostat User Manual User Reviews and Ratings
 - Mcquay Thermostat User Manual and Bestseller Lists
5. Accessing Mcquay Thermostat User Manual Free and Paid eBooks
 - Mcquay Thermostat User Manual Public Domain eBooks

- Mcquay Thermostat User Manual eBook Subscription Services
- Mcquay Thermostat User Manual Budget-Friendly Options
- 6. Navigating Mcquay Thermostat User Manual eBook Formats
 - ePub, PDF, MOBI, and More
 - Mcquay Thermostat User Manual Compatibility with Devices
 - Mcquay Thermostat User Manual Enhanced eBook Features
- 7. Enhancing Your Reading Experience
 - Adjustable Fonts and Text Sizes of Mcquay Thermostat User Manual
 - Highlighting and Note-Taking Mcquay Thermostat User Manual
 - Interactive Elements Mcquay Thermostat User Manual
- 8. Staying Engaged with Mcquay Thermostat User Manual
 - Joining Online Reading Communities
 - Participating in Virtual Book Clubs
 - Following Authors and Publishers Mcquay Thermostat User Manual
- 9. Balancing eBooks and Physical Books Mcquay Thermostat User Manual
 - Benefits of a Digital Library
 - Creating a Diverse Reading Collection Mcquay Thermostat User Manual
- 10. Overcoming Reading Challenges
 - Dealing with Digital Eye Strain
 - Minimizing Distractions
 - Managing Screen Time
- 11. Cultivating a Reading Routine Mcquay Thermostat User Manual
 - Setting Reading Goals Mcquay Thermostat User Manual
 - Carving Out Dedicated Reading Time
- 12. Sourcing Reliable Information of Mcquay Thermostat User Manual
 - Fact-Checking eBook Content of Mcquay Thermostat User Manual
 - Distinguishing Credible Sources
- 13. Promoting Lifelong Learning
 - Utilizing eBooks for Skill Development
 - Exploring Educational eBooks

14. Embracing eBook Trends

- Integration of Multimedia Elements
- Interactive and Gamified eBooks

Mcquay Thermostat User Manual Introduction

In the digital age, access to information has become easier than ever before. The ability to download Mcquay Thermostat User Manual has revolutionized the way we consume written content. Whether you are a student looking for course material, an avid reader searching for your next favorite book, or a professional seeking research papers, the option to download Mcquay Thermostat User Manual has opened up a world of possibilities. Downloading Mcquay Thermostat User Manual provides numerous advantages over physical copies of books and documents. Firstly, it is incredibly convenient. Gone are the days of carrying around heavy textbooks or bulky folders filled with papers. With the click of a button, you can gain immediate access to valuable resources on any device. This convenience allows for efficient studying, researching, and reading on the go. Moreover, the cost-effective nature of downloading Mcquay Thermostat User Manual has democratized knowledge. Traditional books and academic journals can be expensive, making it difficult for individuals with limited financial resources to access information. By offering free PDF downloads, publishers and authors are enabling a wider audience to benefit from their work. This inclusivity promotes equal opportunities for learning and personal growth. There are numerous websites and platforms where individuals can download Mcquay Thermostat User Manual. These websites range from academic databases offering research papers and journals to online libraries with an expansive collection of books from various genres. Many authors and publishers also upload their work to specific websites, granting readers access to their content without any charge. These platforms not only provide access to existing literature but also serve as an excellent platform for undiscovered authors to share their work with the world. However, it is essential to be cautious while downloading Mcquay Thermostat User Manual. Some websites may offer pirated or illegally obtained copies of copyrighted material. Engaging in such activities not only violates copyright laws but also undermines the efforts of authors, publishers, and researchers. To ensure ethical downloading, it is advisable to utilize reputable websites that prioritize the legal distribution of content. When downloading Mcquay Thermostat User Manual, users should also consider the potential security risks associated with online platforms. Malicious actors may exploit vulnerabilities in unprotected websites to distribute malware or steal personal information. To protect themselves, individuals should ensure their devices have reliable antivirus software installed and validate the legitimacy of the websites they are downloading from. In conclusion, the ability to download Mcquay Thermostat User Manual has transformed the way we access information. With the convenience, cost-effectiveness, and accessibility it offers, free PDF downloads have become a popular choice for students, researchers, and

book lovers worldwide. However, it is crucial to engage in ethical downloading practices and prioritize personal security when utilizing online platforms. By doing so, individuals can make the most of the vast array of free PDF resources available and embark on a journey of continuous learning and intellectual growth.

FAQs About Mcquay Thermostat User Manual Books

What is a Mcquay Thermostat User Manual PDF? A PDF (Portable Document Format) is a file format developed by Adobe that preserves the layout and formatting of a document, regardless of the software, hardware, or operating system used to view or print it. **How do I create a Mcquay Thermostat User Manual PDF?** There are several ways to create a PDF: Use software like Adobe Acrobat, Microsoft Word, or Google Docs, which often have built-in PDF creation tools. Print to PDF: Many applications and operating systems have a "Print to PDF" option that allows you to save a document as a PDF file instead of printing it on paper. Online converters: There are various online tools that can convert different file types to PDF. **How do I edit a Mcquay Thermostat User Manual PDF?** Editing a PDF can be done with software like Adobe Acrobat, which allows direct editing of text, images, and other elements within the PDF. Some free tools, like PDFescape or Smallpdf, also offer basic editing capabilities. **How do I convert a Mcquay Thermostat User Manual PDF to another file format?** There are multiple ways to convert a PDF to another format: Use online converters like Smallpdf, Zamzar, or Adobe Acrobat's export feature to convert PDFs to formats like Word, Excel, JPEG, etc. Software like Adobe Acrobat, Microsoft Word, or other PDF editors may have options to export or save PDFs in different formats. **How do I password-protect a Mcquay Thermostat User Manual PDF?** Most PDF editing software allows you to add password protection. In Adobe Acrobat, for instance, you can go to "File" -> "Properties" -> "Security" to set a password to restrict access or editing capabilities. Are there any free alternatives to Adobe Acrobat for working with PDFs? Yes, there are many free alternatives for working with PDFs, such as: LibreOffice: Offers PDF editing features. PDFsam: Allows splitting, merging, and editing PDFs. Foxit Reader: Provides basic PDF viewing and editing capabilities. How do I compress a PDF file? You can use online tools like Smallpdf, ILovePDF, or desktop software like Adobe Acrobat to compress PDF files without significant quality loss. Compression reduces the file size, making it easier to share and download. Can I fill out forms in a PDF file? Yes, most PDF viewers/editors like Adobe Acrobat, Preview (on Mac), or various online tools allow you to fill out forms in PDF files by selecting text fields and entering information. Are there any restrictions when working with PDFs? Some PDFs might have restrictions set by their creator, such as password protection, editing restrictions, or print restrictions. Breaking these restrictions might require specific software or tools, which may or may not be legal depending on the circumstances and local laws.

Find Mcquay Thermostat User Manual :

[hunger games final exam study guide answers](#)

[hurting to feel english edition](#)

[hundreds more tattoo designs body art body art body art](#)

[humbleisd reteach 1 2](#)

[husqvarna 225 chainsaw repair service manual](#)

[hummer h1 maintenance manual](#)

[human physiology final exam](#)

huskylock 936 manual dk

[hummer h3 workshop manual](#)

[husaberg fc550 fe501 fe550 2004 2005 service repair manual](#)

human systems and homeostasis answers

[human resources management 6 edition oxford](#)

[human impact webquest key](#)

humminbird max 10 gps owners manual

husqvarna 630 sewing machine manual

Mcquay Thermostat User Manual :

what is number theory pure mathematics university of - Jan 26 2023

web what is pure math what is number theory unsurprisingly number theorists are interested in the properties of numbers in particular the relations between the additive and multiplicative structures of integers are so fascinating that they make number theory a vast and fertile field of mathematical research

number theory wikipedia - Oct 03 2023

web number theory or arithmetic or higher arithmetic in older usage is a branch of pure mathematics devoted primarily to the study of the integers and arithmetic functions german mathematician carl friedrich gauss 1777 1855 said mathematics is the queen of the sciences and number theory is the queen of mathematics

number theory stanford university - Jun 30 2023

web number theory 1 34 1number theory i m taking a loose informal approach since that was how i learned once you have a good feel for this topic it is easy to add rigour more formal approaches can be found all over the net e g victor shoup a

computational introduction to number theory and algebra

number theory definition basics examples byju s - Sep 02 2023

web number theory is a branch of mathematics which helps to study the set of positive whole numbers say 1 2 3 4 5 6 which are also called the set of natural numbers and sometimes called higher arithmetic number theory helps to study the relationships between different sorts of numbers

number theory definition examples applications cuemath - May 30 2023

web number theory also known as higher arithmetic is one of the oldest branches of mathematics and is used to study the properties of positive integers it helps to study the relationship between different types of numbers such as prime numbers rational numbers and algebraic integers

number theory definition topics history britannica - Aug 01 2023

web oct 6 2023 number theory branch of mathematics concerned with properties of the positive integers 1 2 3 sometimes called higher arithmetic it is among the oldest and most natural of mathematical pursuits number theory has always fascinated amateurs as well as professional mathematicians

the hidden connection that changed number theory - Mar 28 2023

web nov 1 2023 and of course quadratic reciprocity crops up repeatedly within number theory for instance it can be used to prove that any prime number equal to 1 modulo 4 can be written as the sum of two squares for example 13 equals 1 modulo 4 and 13 4 9 2 2 3 2 by contrast primes equal to 3 modulo 4 can never be written as the sum of

number theory are lazy workers really holding back growth - Feb 24 2023

web number theory are lazy workers really holding back growth feedback this is the first of a two part data journalism series which asks whether indian workers do not work hard enough

2311 00009 application of fermion quantum number f and unit - Dec 25 2022

web oct 31 2023 title application of fermion quantum number f and unit electroweak charge f0 in the electroweak theory authors xin hua ma download a pdf of the paper titled application of fermion quantum number f and unit electroweak charge f0 in the electroweak theory by xin hua ma

number theory brilliant math science wiki - Apr 28 2023

web oct 30 2023 number theory is the study of properties of the integers because of the fundamental nature of the integers in mathematics and the fundamental nature of mathematics in science the famous mathematician and physicist gauss wrote quot mathematics is the queen of the sciences and number theory is the queen of

pdf girlfriend for hire soft copy freewebmasterhelp com - Jun 01 2022

web mar 10 2023 girlfriend for hire soft copy as recognized adventure as competently as experience virtually lesson

amusement as without difficulty as pact can be gotten by just checking out a books girlfriend for hire soft copy furthermore it is not directly done you could take even more approximately this life roughly speaking the world

girlfriend for hire soft pdf scribd - Jul 14 2023

web save save girlfriend for hire soft copy for later 100 100 found this document useful mark this document as useful 0 0 found this document not useful mark this document as not useful embed share print download now jump to page you are on page 1 of 1528 search inside document

girlfriend for hire book 2 officially his girlfriend soft pdf - Mar 10 2023

web girlfriend for hire book 2 officially his girlfriend softcopy free ebook download as text file txt pdf file pdf or read book online for free for those whose looking for a softcopy of this story i have this one feel free to download this is only 4 99 *gffh book 2 officially his girlfriend yamyamkim* - May 12 2023

web oct 25 2019 table of contents last updated oct 25 2019 gffh book 2 officially his girlfriend prologue chapter 1 two years later chapter 2 celebrating our second anniversary chapter 3 meet bryan clyde go chapter 4 one epic day chapter 5 when worse comes to worst

girlfriend for hire wikipedia - Jan 08 2023

web girlfriend for hire is a 2016 romantic comedy film based on a wattpad novel of the same name by yam yam28 the film was directed by vanessa de leon and topbilled by yassi pressman and andre paras produced and distributed by viva films and sm development corp smdc it was released on february 10 2016 4 in theaters nationwide

girlfriend for hire soft copy pdf cyberlab sutd edu sg - Mar 30 2022

web girlfriend for hire soft copy the handbook of jamaica for mar 20 2020 bridging the soft skills gap jul 04 2021 solve the number one problem with today s young workforce the soft skills gap the number one challenge with today s young talent is a problem hiding in plain sight the ever widening soft skills gap

girlfriend for hire subtitles english opensubtitles com - Feb 09 2023

web girlfriend for hir 13 8581 1 riya007890 bronze member about 6 years 8581 1 3 download direct download view on opensubtitles org request translation correct

girlfriend for hire softcopies secure4 khronos - Dec 27 2021

web girlfriend for hire dama fb softcopies group for hire a damn good kisser by amft001 synopsis i wattpad txt file wattpad stories txt wattpad softcopies file im the campus nerd txt ezgo txt pds parts manual girlfriend for hire book 2 wattpad completed i no soft copy i book two ng girlfriend for hire girlfriend for hire book 2

how can i download girlfriend for hire wattpad girlfriend for hire - Nov 06 2022

web girlfriend for hire movie download girlfriend for hire story book download girlfriend hire txt download girlfriend for hire

story free download community experts online right now ask for free

[girlfriend for hire cnet download](#) - Feb 26 2022

web girlfriend for hire free download video star grindr gay chat hire and many more programs

[girlfriend for hire soft copy pdf 2023 sdp sustainablefish](#) - Sep 04 2022

web girlfriend for hire soft copy pdf pages 3 20 girlfriend for hire soft copy pdf upload mia z murray 3 20 downloaded from sdp sustainablefish org on august 31 2023 by mia z murray maya angelou 2010 07 21 here is a book as joyous and painful as mysterious and memorable as childhood itself

[girlfriendforhiresoftcopy copy academy robotistan](#) - Apr 30 2022

web girlfriend for hire soft copy the lost boys texas monthly january 21st 2013 one morning this past september mrs mary scott walked out of her tiny brick house one hand clutching a plastic tub of birdseed the other

[girlfriend for hire soft copies download only](#) - Jan 28 2022

web you may not be perplexed to enjoy all books collections girlfriend for hire soft copies that we will certainly offer it is not almost the costs its roughly what you compulsion currently this girlfriend for hire soft copies as one of the most working sellers here will categorically be along with the best options to review soft rupert

for soft copy in girlfriend for hire can i get the softcopy of - Dec 07 2022

web girlfriend for hire softcopy soft copy of girlfriend for hire 1 soft copy of girlfriend for hire community experts online right now ask for free ask your question fast

girlfriend for hire 2 soft copy pdf download only - Aug 03 2022

web as this girlfriend for hire 2 soft copy pdf it ends up physical one of the favored book girlfriend for hire 2 soft copy pdf collections that we have this is why you remain in the best website to look the incredible book to have how to get a girlfriend with pictures wikihow web10 jan 2023 talking texting and hanging out together

girlfriend for hire 1 favorite imntflco wattpad - Apr 11 2023

web gffh published book 375k 4 1k 1 infos author s notes about girlfriend for hire s published book under pop fiction you can ask questions about the book here

girlfriend for hire soft copies g g fickling - Oct 05 2022

web look guide girlfriend for hire soft copies as you such as by searching the title publisher or authors of guide you in fact want you can discover them rapidly in the house workplace or perhaps in your method can be every best area within net connections

girlfriend for hire 2 soft copy help environment harvard edu - Jul 02 2022

web getting the books girlfriend for hire 2 soft copy now is not type of inspiring means you could not without help going like

books hoard or library or borrowing from your connections to log on them this is an unconditionally simple means to specifically acquire lead by on line this online proclamation girlfriend for hire 2 soft copy can be one

girlfriend for hire soft copy slideshare - Jun 13 2023

web girlfriend for hire intro teka ahm ano pano ko ba sisimulan to sige ganito na lang siguro magpapakilala na lang muna ako huh ang arte kasi bakit kelan

girlfriend for hire manga online free manganato - Aug 15 2023

web feb 9 2023 girlfriend for hire they say unhealthy attachments are the root of most problems kim luna knows this because shes attached to many things her toxic ex boyfriend her kind but unavailable psychiatrist and most of all her opulent lifestyle that she lost after her family went

100 best allama iqbal poetry in urdu urdu wisdom - Oct 08 2023

web by admin allama iqbal poetry in urdu explore the best allama iqbal poetry in urdu with images allama iqbal s poetry has inspired and motivation for students and youth allama iqbal s poetry is famous all over the world he used poetry as a medium to convey his message to muslim umma

all writings of allama iqbal rekhta - Aug 06 2023

web allama iqbal collection of poetry ghazal nazm in urdu hindi english read more about allama iqbal and access their famous audio video and ebooks

allama iqbal deep urdu poetry - Aug 26 2022

web allama iqbal was a renowned poet philosopher and thinker of the early 20th century he is widely regarded as one of the most influential poets in south asian literature particularly in the urdu language allama iqbal s poetry is characterized by its rich imagery profound philosophical ideas and deep spirituality

allama iqbal poetry urdu shayari ghazlas sadpoetry org - Jan 31 2023

web allama iqbal poetry allama iqbal is one of the best poets of urdu and national poet of pakistan we offer the best collection of allama iqbal poetry on all topics like youth islam inspirational poetry and short poems his poetry is

allama iqbal poetry allama iqbal shayari urdu ghazal nazam - Apr 02 2023

web allama iqbal poetry in urdu allama iqbal was known as one of the greatest poets of all time and a notable muslim philosopher of his day he was influential in cultural social religious and political disputes thanks to his urdu and persian poetry lectures and letters in urdu and english

allama iqbal poetry in urdu best poet ██████ ███ ██████ ██████ - Sep 07 2023

web dec 8 2022 the poetry of allama iqbal urdu for pakistan is marked by its rich imagery evocative metaphors and philosophical themes and it often reflects his deep commitment to islam and his concern for the plight of the muslim

community in south asia

allama iqbal biography in urdu urdu notes - Jul 25 2022

web biography of allama iqbal in urdu language allama iqbal ke halaat e zindagi par ek mazmoon in urdu my favourite poet allama iqbal essay in urdu allama iqbal in urdu

10 best allama iqbal poems in urdu for kids and students - May 03 2023

web 10 best allama iqbal poems in urdu for kids and students read best collection of allama iqbal poems which is selected from iqbal poetry books bache ki dua hamdardi sare jahan se acha ye hindostan hamara tere ishaq ki inteha chahta hon nigahe fakar mein shane sikandri kia ha sitaron se aage jahan aur bhi hain aik makra aur makhi

allama iqbal urdu poetry with explanation - Sep 26 2022

web all persian and urdu poetry of allama mohammad iqbal with explanation in urdu and translation in english languages allama iqbal is the ideological leader of islam the concept of khudi the self has made allama iqbal immortal read the poetry of allama iqbal with ease

allama iqbal poetry best iqbal shayari in urdu - Oct 28 2022

web allama iqbal poetry shayari iqbal ki shayari ghazal and allama iqbal quotes is popular among people who love to read good urdu poetry you can read 2 and 4 lines poetry and download allama iqbal poetry images can easily share it with your loved ones up till several books have been written on allama iqbal sher

99 iqbal poetry of khudi and the ummah in urdu alfair - May 23 2022

web allama iqbal urdu poetry collection allama iqbal s poetry collection is a treasure trove of philosophical inspirational and thought provoking verses his poetry covers a wide range of themes including spirituality self realization patriotism

top 20 sher of allama iqbal rekhta - Dec 30 2022

web poet audios list of top 20 famous urdu sher of allama iqbal selected by rekhta for the meaning of urdu words you do not understand click on that word

allama iqbal poetry in urdu best 25 sher best urdu poetry - Apr 21 2022

web dec 30 2020 allama iqbal is undoubtedly a famous poet in pakistan india bangladesh and iran he is undoubtedly the national poet of pakistan his poetry in pakistan is very well known and immortal his great and unforgotten poetry is very famous in fact poetry of iqbal is extraordinarily here you can find best poetry of iqbal

shayari of allama iqbal rekhta - Mar 01 2023

web allama iqbal one of the greatest urdu poets national poet of pakistan who penned saare jahan se achaa hindustaan hamara and lab pe aati hai dua ban ke tamanna meri top 20 shayari 115 qita sher of allama iqbal 212 1k favorite khudi ko kar

