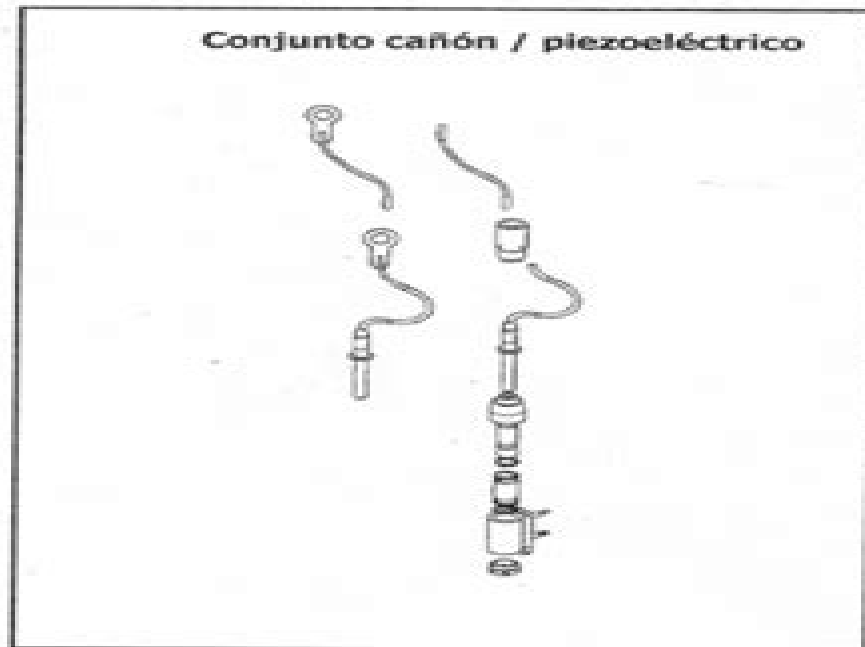
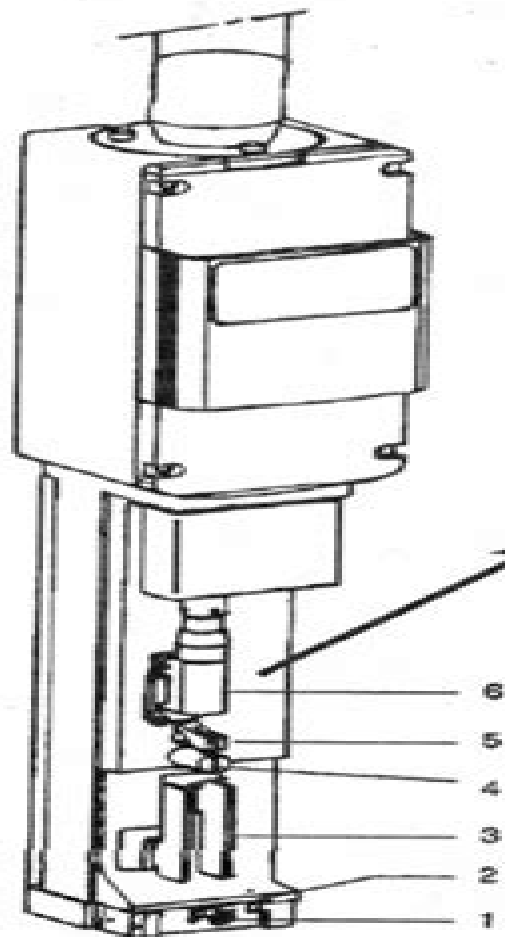


Cabezal de impresión



- 1 — Válvula de cierre del recuperador
- 2 — Recuperador
- 3 — Placas de deflexión
- 4 — Electrodo de detección
- 5 — Electrodo de carga
- 6 — Cañón

Tipo de uno o dos chorros

Jaime 1000 S4 Service Manual

Mike Jess



Jaime 1000 S4 Service Manual:

Ignite the flame of optimism with is motivational masterpiece, Find Positivity in **Jaime 1000 S4 Service Manual** . In a downloadable PDF format (Download in PDF: *), this ebook is a beacon of encouragement. Download now and let the words propel you towards a brighter, more motivated tomorrow.

https://staging.conocer.cide.edu/book/browse/Documents/Le_Rescapa_Des_Concluses_Romanmiroir.pdf

Table of Contents Jaime 1000 S4 Service Manual

1. Understanding the eBook Jaime 1000 S4 Service Manual
 - The Rise of Digital Reading Jaime 1000 S4 Service Manual
 - Advantages of eBooks Over Traditional Books
2. Identifying Jaime 1000 S4 Service Manual
 - Exploring Different Genres
 - Considering Fiction vs. Non-Fiction
 - Determining Your Reading Goals
3. Choosing the Right eBook Platform
 - Popular eBook Platforms
 - Features to Look for in an Jaime 1000 S4 Service Manual
 - User-Friendly Interface
4. Exploring eBook Recommendations from Jaime 1000 S4 Service Manual
 - Personalized Recommendations
 - Jaime 1000 S4 Service Manual User Reviews and Ratings
 - Jaime 1000 S4 Service Manual and Bestseller Lists
5. Accessing Jaime 1000 S4 Service Manual Free and Paid eBooks
 - Jaime 1000 S4 Service Manual Public Domain eBooks
 - Jaime 1000 S4 Service Manual eBook Subscription Services
 - Jaime 1000 S4 Service Manual Budget-Friendly Options
6. Navigating Jaime 1000 S4 Service Manual eBook Formats

- ePub, PDF, MOBI, and More
 - Jaime 1000 S4 Service Manual Compatibility with Devices
 - Jaime 1000 S4 Service Manual Enhanced eBook Features
7. Enhancing Your Reading Experience
 - Adjustable Fonts and Text Sizes of Jaime 1000 S4 Service Manual
 - Highlighting and Note-Taking Jaime 1000 S4 Service Manual
 - Interactive Elements Jaime 1000 S4 Service Manual
 8. Staying Engaged with Jaime 1000 S4 Service Manual
 - Joining Online Reading Communities
 - Participating in Virtual Book Clubs
 - Following Authors and Publishers Jaime 1000 S4 Service Manual
 9. Balancing eBooks and Physical Books Jaime 1000 S4 Service Manual
 - Benefits of a Digital Library
 - Creating a Diverse Reading Collection Jaime 1000 S4 Service Manual
 10. Overcoming Reading Challenges
 - Dealing with Digital Eye Strain
 - Minimizing Distractions
 - Managing Screen Time
 11. Cultivating a Reading Routine Jaime 1000 S4 Service Manual
 - Setting Reading Goals Jaime 1000 S4 Service Manual
 - Carving Out Dedicated Reading Time
 12. Sourcing Reliable Information of Jaime 1000 S4 Service Manual
 - Fact-Checking eBook Content of Jaime 1000 S4 Service Manual
 - Distinguishing Credible Sources
 13. Promoting Lifelong Learning
 - Utilizing eBooks for Skill Development
 - Exploring Educational eBooks
 14. Embracing eBook Trends
 - Integration of Multimedia Elements
 - Interactive and Gamified eBooks

Jaime 1000 S4 Service Manual Introduction

In this digital age, the convenience of accessing information at our fingertips has become a necessity. Whether its research papers, eBooks, or user manuals, PDF files have become the preferred format for sharing and reading documents. However, the cost associated with purchasing PDF files can sometimes be a barrier for many individuals and organizations. Thankfully, there are numerous websites and platforms that allow users to download free PDF files legally. In this article, we will explore some of the best platforms to download free PDFs. One of the most popular platforms to download free PDF files is Project Gutenberg. This online library offers over 60,000 free eBooks that are in the public domain. From classic literature to historical documents, Project Gutenberg provides a wide range of PDF files that can be downloaded and enjoyed on various devices. The website is user-friendly and allows users to search for specific titles or browse through different categories. Another reliable platform for downloading Jaime 1000 S4 Service Manual free PDF files is Open Library. With its vast collection of over 1 million eBooks, Open Library has something for every reader. The website offers a seamless experience by providing options to borrow or download PDF files. Users simply need to create a free account to access this treasure trove of knowledge. Open Library also allows users to contribute by uploading and sharing their own PDF files, making it a collaborative platform for book enthusiasts. For those interested in academic resources, there are websites dedicated to providing free PDFs of research papers and scientific articles. One such website is Academia.edu, which allows researchers and scholars to share their work with a global audience. Users can download PDF files of research papers, theses, and dissertations covering a wide range of subjects. Academia.edu also provides a platform for discussions and networking within the academic community. When it comes to downloading Jaime 1000 S4 Service Manual free PDF files of magazines, brochures, and catalogs, Issuu is a popular choice. This digital publishing platform hosts a vast collection of publications from around the world. Users can search for specific titles or explore various categories and genres. Issuu offers a seamless reading experience with its user-friendly interface and allows users to download PDF files for offline reading. Apart from dedicated platforms, search engines also play a crucial role in finding free PDF files. Google, for instance, has an advanced search feature that allows users to filter results by file type. By specifying the file type as "PDF," users can find websites that offer free PDF downloads on a specific topic. While downloading Jaime 1000 S4 Service Manual free PDF files is convenient, its important to note that copyright laws must be respected. Always ensure that the PDF files you download are legally available for free. Many authors and publishers voluntarily provide free PDF versions of their work, but its essential to be cautious and verify the authenticity of the source before downloading Jaime 1000 S4 Service Manual. In conclusion, the internet offers numerous platforms and websites that allow users to download free PDF files legally. Whether its classic literature, research papers, or magazines, there is something for everyone. The platforms mentioned in this article, such as Project Gutenberg, Open Library, Academia.edu, and Issuu, provide access to a vast collection of PDF files. However, users

should always be cautious and verify the legality of the source before downloading Jaime 1000 S4 Service Manual any PDF files. With these platforms, the world of PDF downloads is just a click away.

FAQs About Jaime 1000 S4 Service Manual Books

What is a Jaime 1000 S4 Service Manual PDF? A PDF (Portable Document Format) is a file format developed by Adobe that preserves the layout and formatting of a document, regardless of the software, hardware, or operating system used to view or print it. **How do I create a Jaime 1000 S4 Service Manual PDF?** There are several ways to create a PDF: Use software like Adobe Acrobat, Microsoft Word, or Google Docs, which often have built-in PDF creation tools. **Print to PDF:** Many applications and operating systems have a "Print to PDF" option that allows you to save a document as a PDF file instead of printing it on paper. **Online converters:** There are various online tools that can convert different file types to PDF. **How do I edit a Jaime 1000 S4 Service Manual PDF?** Editing a PDF can be done with software like Adobe Acrobat, which allows direct editing of text, images, and other elements within the PDF. Some free tools, like PDFescape or Smallpdf, also offer basic editing capabilities. **How do I convert a Jaime 1000 S4 Service Manual PDF to another file format?** There are multiple ways to convert a PDF to another format: Use online converters like Smallpdf, Zamzar, or Adobe Acrobat's export feature to convert PDFs to formats like Word, Excel, JPEG, etc. Software like Adobe Acrobat, Microsoft Word, or other PDF editors may have options to export or save PDFs in different formats. **How do I password-protect a Jaime 1000 S4 Service Manual PDF?** Most PDF editing software allows you to add password protection. In Adobe Acrobat, for instance, you can go to "File" -> "Properties" -> "Security" to set a password to restrict access or editing capabilities. Are there any free alternatives to Adobe Acrobat for working with PDFs? Yes, there are many free alternatives for working with PDFs, such as: LibreOffice: Offers PDF editing features. PDFsam: Allows splitting, merging, and editing PDFs. Foxit Reader: Provides basic PDF viewing and editing capabilities. How do I compress a PDF file? You can use online tools like Smallpdf, ILovePDF, or desktop software like Adobe Acrobat to compress PDF files without significant quality loss. Compression reduces the file size, making it easier to share and download. Can I fill out forms in a PDF file? Yes, most PDF viewers/editors like Adobe Acrobat, Preview (on Mac), or various online tools allow you to fill out forms in PDF files by selecting text fields and entering information. Are there any restrictions when working with PDFs? Some PDFs might have restrictions set by their creator, such as password protection, editing restrictions, or print restrictions. Breaking these restrictions might require specific software or tools, which may or may not be legal depending on the circumstances and local laws.

Find Jaime 1000 S4 Service Manual :

[le rescapa des concluses romanmiroir](#)

learn how to study a guide for students of all ages

learn filmmaker pro 7

[leadership and indecisions american war planning and policy process 1937-1942 volumes i & ii](#)

le vent dans les saules

le rapt de ganymade

[learn abouts pack 2 8 titles](#)

le stalinisme au quotidien la rubie soviatique dans les annaes 30

le second livre de la jungle

le regime anti age bien se nourir pour r

[le vin de nishapour promenades photographieques dans les rubaiyat du poete omar khayyam](#)

learning about spiders

leadership passion a psychology of ideology

leading minds an anatomy of leadership

learning about vegetables

Jaime 1000 S4 Service Manual :

husqvarna mower drive belt problems and solutions - Jul 23 2022

web if the drive belt on your husqvarna riding mower has become loose you can tighten it yourself with just a few simple tools first remove the spark plug wire from the spark plug to prevent the engine from accidentally starting while you re working

husqvarna riding lawn mower drive belt replacement fix - Jun 02 2023

web jun 18 2023 step by step instructions of what it takes to replace the drive belt on your rider

husqvarna 42 in deck drive belt for riding mower tractors - Dec 28 2022

web husqvarna 42 in deck drive belt for riding mower tractors item 5083916 model 532130969 shop husqvarna 5 32 48 30 86 when you choose 5 savings on eligible purchases every day learn how deck belt for lawn mowers and garden tractors fits most poulan poulan pro and craftsman riders 2006 2018 replaces part number s 130969

how to replace a mower drive belt for a husqvarna yt48dxls - Nov 26 2022

web jul 25 2017 place the belt around all the pulleys double check the belt routing to make sure it matches the routing decal and that the belt does not have any twist correct if needed connect the spring to the eyebolt adjust the belt tension until the spring is extended to a length of 5 75 14 6 cm loosen the inner adjustment nut turn the outer

how to adjust the drive belt on husqvarna self propelled mower - Feb 15 2022

web how to tell if your husqvarna mower drive belt needs replacement if you take a close look at your belt and notice loose fibers sticking out then you need to change the belt usually this can be weighed based on how badly frizzy the belt looks and you d have to do this by eyeballing

husqvarna drive belt replacement made easy diy youtube - Oct 06 2023

web dec 6 2021 husqvarna drive belt replacement made easy diy another man vs machine day lol i replace the belt on a rear wheel drive husqvarna it s only a 10 minute job from start to finish if

replace drive belt husqvarna yard tractor youtube - Mar 19 2022

web dec 2 2019 replace drive belt husqvarna yard tractor dennis coffey 44 4k subscribers subscribe 9 8k 538k views 3 years ago rhino ramps amzn to 2dcyq83 yth22v46 drive belt

husqvarna lawn mower belts at lowes com - Aug 24 2022

web husqvarna 42 in deck belt for riding mower tractors genuine husqvarna belts are made of highly engineered aramid cords able to withstand the heaviest loads husqvarna belts resist stretching over time delivering a well tensioned drive and reduced belt wear expect smoother blade engagement and consistent power to the mower deck view more

how to tighten drive belt on husqvarna riding mower easy - Jan 29 2023

web may 8 2021 the process of tightening the drive belt on the husqvarna riding mower is simple and easy before moving forward with the tightening of the drive belt keep the required tools ready only two tools plier and wrench are needed to adjust the riding lawn mower s belt tension how to tighten drive belt on husqvarna riding mower

[how to tighten motion drive belt on husqvarna riding mower](#) - Jun 21 2022

web jul 22 2021 answer 1 you can tell the motion drive belt on your husqvarna riding mower needs to be tightened if it starts to slip when the mower is in use how often should you check the motion drive belt on your husqvarna riding mower answer 2 you should check the motion drive belt on your husqvarna riding mower at least once a month

best way to replace riding mower drive belt youtube - Feb 27 2023

web jun 4 2019 best way to replace riding mower drive belt this video shows how to replace a blade drive belt on a riding lawn mower the blade drive belt connects the engine pulley to the mower deck pulleys

husqvarna drive belt diagram techrene - Sep 24 2022

web oct 20 2021 the husqvarna drive belt is an important component of the riding mower that ensures it remains effective if

the belt breaks the mower won't be able to move in addition a worn belt will cause the mower to move sluggishly as the belt slips on the pulley

how to change drive belt on a husqvarna lawnmower step by step - Sep 05 2023

web steps by step procedure for changing husqvarna mower drive belt husqvarna lawnmowers have two key categories when it comes to driving belts that is front wheel drive mowers where a belt powers the drive of the

husqvarna drive belt husqvarna uk husqvarna forest garden - May 21 2022

web product description genuine husqvarna tractor drive belt uniquely designed for each machine to ensure a perfect fit and a long durability replace it at regular intervals according to the product manual drive belt 92 4 mower v product information specifications fits to model showing 2 of 2 genuine husqvarna tractor drive belt

husqvarna drive belt falls off fix complete guide youtube - Jul 03 2023

web sep 14 2021 261k views 4 years ago learn how to easily put back on your riding mower drive belt on a husqvarna lth130 tracker the tools 14mm ratcheting wrench amzn to 3ljj6rn flathead

three most common husqvarna mower drive belt problems and - Aug 04 2023

web dec 4 2022 where is the drive belt on a husqvarna riding mower the drive belt of the husqvarna is under the tractor near the belt a belt guard should cover it which you will need to take off to get to the belt

husqvarna riding mower deck belt primary mower belt replacement diy - Apr 19 2022

web jul 30 2021 husqvarna riding mower deck belt primary mower belt replacement diy 9 16 for the for pulley guard nut 5 8 for mower blades nuts thank you for pointing

diy remove and replace drive belt on riding mower youtube - May 01 2023

web sep 25 2020 i'll show you how to remove and replace the drive belt on a riding mower this mower is a 46 inch cut husqvarna as always use safety precautions husqvarna

how to replace drive belt on husqvarna riding mower yth20k46 - Oct 26 2022

web oct 24 2022 the mower blades are fueled by a drive belt associated with the engine crankshaft pulley you will see an idler pulley on the mower deck that keeps up proper tension on the belt consistently as the belt extends the spring loaded idler pulley applies more tension to the belt

husqvarna drive belt husqvarna ca husqvarna forest garden - Mar 31 2023

web genuine husqvarna drive belt uniquely designed for each machine to ensure a perfect fit and a long durability replace it at regular intervals according to the product manual

the radio today guide to the icom ic 7610 radio today guides - May 11 2023

web this is the book i wish i had when i bought my icom ic 7610 it includes useful tips and tricks for the configuration and

operation of the fabulous icom ic 7610 transceiver

the radio today guide to the icom ic 7610 eham net - Jul 01 2022

web the radio today guide to the icom ic 7610 english the radio today guide to the icom ic 7610 english 2 downloaded from donate pfi org on 2022 07 14 by guest and from

radio today guide to the icom ic 7610 lists open library - Dec 26 2021

the radio today guide to the icom ic 7610 goodreads - Apr 10 2023

web dec 18 2018 it includes useful tips and tricks for the configuration and operation of the fabulous icom ic 7610 transceiver rather than duplicate the manuals which describe

radio today guide to the icom ic 7610 open library - Jul 13 2023

web apr 3 2023 edition availability 1 radio today guide to the icom ic 7610 2018 independently published independently published in english 1791723233

radio today guide to the icom ic 7610 dx engineering - May 31 2022

web ic 7610 document basic manual english note file size 14 12mb about this download service icom inc would like to advise user s of the following regarding this download

icom ic 7610 review a dxers dream base station radio ham - Jan 27 2022

web astonishing 110 db rmdr rmdr characteristics the rf direct sampling system in the ic 7610 is capable of 110 db rmdr this performance gives you the ability to pull weak

amazon com customer reviews the radio today guide to the - Aug 02 2022

web find radio today guide to the icom ic 7610 and get free shipping on most orders over 99 at dx engineering within a few short months of the launch the icom ic 7610 radio

radio today guide to the icom ic 7610 rsgb shop - Jan 07 2023

web dec 19 2018 the radio today guide to the icom ic 7610 paperback dec 19 2018 this is the book i wish i had when i bought my icom ic 7610 it includes useful tips and

ic 7610 products icom america - Oct 24 2021

radio today guide to the icom ic 7610 rt76 dx - Oct 04 2022

web find helpful customer reviews and review ratings for the radio today guide to the icom ic 7610 radio today guides at amazon com read honest and unbiased product

the radio today guide to the icom ic 7610 radio today guides - Jun 12 2023

web buy the radio today guide to the icom ic 7610 radio today guides by barron andrew isbn 9781791723231 from amazon s
book store everyday low prices and
the radio today guide to the icom ic 7610 kağıt kapak - Nov 24 2021

icom 7610 manual download support icom america - Feb 25 2022

web the radio today guide to the icom ic 7610 barron andrew amazon com tr kitap
the radio today guide to the icom ic 7610 radio today guides - Aug 14 2023

web dec 19 2018 the radio today guide to the icom ic 7610 radio today guides paperback december 19 2018 this is the book
i wish i had when i bought my icom

the radio today guide to the icom ic 7610 radio - Feb 08 2023

web description by andrew barron zl3dw within a few short months of the launch the icom ic 7610 radio it became a best
seller and one of the most popular radios on the

radio today guide to the icom ic 7610 4026 dx engineering - Sep 03 2022

web reviews for the radio today guide to the icom ic 7610

the radio today guide to the icom ic 7610 amazon ca - Dec 06 2022

web dec 18 2018 the radio today guide to the icom ic 7610 radio today guides ebook barron andrew amazon ca kindle store

the radio today guide to the icom ic 7610 radio today guides - Nov 05 2022

web overview brand arrl manufacturer s part number 4026 part type reference books product line radio today guide to the
icom ic 7610 dxe part number arr 4026

the radio today guide to the icom ic 7610 english american - Mar 29 2022

web english en español es français fr hrvatski hr italiano it português pt ☐ ☐ ☐ te Українська uk ☐☐ zh are you sure you want
to remove radio today guide to

the radio today guide to the icom ic 7300 radio - Apr 29 2022

web feb 14 2020 today we are going to look at one of those hf base stations the icom ic 7610 is one of those radios that
almost everyone wishes they had in their ham shack it s

the radio today guide to the icom ic 7610 paperback - Mar 09 2023

web the radio today guide to the icom ic 7610 paperback 19 december 2018 this is the book i wish i had when i bought my
icom ic 7610 it includes useful tips and tricks for

activity diagram of drink vending machine pdf spyder adecco - Dec 07 2022

web activity diagram of drink vending machine is available in our digital library an online access to it is set as public so you

can get it instantly our books collection spans in multiple countries allowing you to get the most less latency time to

test model of drink vending machine dvm described as uml activity - Jul 14 2023

web the respondents indicated the easiness of the process of generating the test cases from an activity diagram which include generating the activity diagram and transferring it to activity

flow chart of the operation of a soda vending machine - Sep 04 2022

web in the primary scenario the customer makes a cash money input taken to be an integer amount here and then makes a soda selection an integer value the soda machine then dispenses a cold

activity diagram of drink vending machine copy - Jan 08 2023

web activity diagram of drink vending machine pdf activity diagram of drink vending machine 2 downloaded from analytics test makestories io on by guest on sysml in english insider information the author is a member of the sysml working group and has written sections of the specification special focus comparing sysml and uml and explaining

system diagram of the drink vending machine researchgate - Nov 06 2022

web download scientific diagram system diagram of the drink vending machine from publication domain modeling with object process methodology domain engineering can simplify the development of

activity diagram of drink vending machine pdf rc spectrallabs - Aug 03 2022

web activity diagram of drink vending machine 1 activity diagram of drink vending machine problem solving in c including breadth and laboratories urban poor perceptions of violence and exclusion in colombia developing essential understanding of functions for teaching mathematics in grades 9 12 everyday mathematics teacher s

answered activity diagram drinks vending bartleby - Oct 05 2022

web q draw activity diagram for customer order for retailer shop the order payment can be done be cash the order payment can be done be cash a to draw activity diagram fro placing an order for retailer shop

drink vending machine uml sequence diagram software ideas - Dec 27 2021

web jul 23 2020 powerful diagramming case tool for documenting and designing software and business processes using uml bpmn sysml archimate other diagrams

state chart diagram of soft drink vending machine svm consider - Jun 01 2022

web state chart diagram of soft drink vending machine svm consider the boundary is associated with predicate returnmoney 0 in the dispenser transition let b 0 be the initial data b 0 5

vending machine activity diagram classic creately - Aug 15 2023

web vending machine activity diagram classic by alexander manolis edit this template use creately s easy online diagram editor to edit this diagram collaborate with others and export results to multiple image formats you can easily edit this

template using creately

[activity diagram for buy beverage functionality and its](#) - Apr 11 2023

web sapna and arunkumar 20 considered an example of an activity diagram for the process of buying a beverage from a vending machine fig 2 in this section we first produce the

use case diagram of a vending machine creately - Jun 13 2023

web editable use case diagram of a vending machine easily visualize system functionality with use case diagram templates explore more visual frameworks and templates on creately community hub

sysml activity diagram of the vending machine researchgate - May 12 2023

web we propose to create a formal high level overview diagram for smds derived from the well established rules of structure behavior coalescence sbc process algebra

uml diagrams vending machine programs and notes for mca - Feb 09 2023

web jun 22 2016 use case diagram class diagram vending machine sequence diagram for vending machine activity diagram for vending machine state chart diagram for vending machine collaboration diagram for vending machine component diagram vending machine deployment diagram for vending machine hope this diagrams are

the analysis and design of automatic beverage vending system - Mar 10 2023

web diagram activity diagram class diagram object diagram state diagram sequence diagram collaboration diagram component diagram and deployment diagram which introduces the system model using the static model and dynamic model it describes the development projects from different perspectives and different stages of

activity diagram of drink vending machine sql gocohospitality - Mar 30 2022

web this volume describes the methods used in the surveillance of drinking water quality in the light of the special problems of small community supplies particularly in developing countries and outlines the strategies necessary to ensure that surveillance is effective

[diagram uml state for vending machine stack overflow](#) - Feb 26 2022

web oct 19 2018 i m trying to draw uml state diagram for vending machine maybe its basic but im a beginner and havent found the appropriate solution on internet task the vending machine receives 1 2 and 5 the price of drink is 2 it dispenses the drink if enough money is entered and refunds change machine has power on and power off

block diagram of the beverage vending machine system - Apr 30 2022

web apr 2015 sanket dessai p beverage vending machine systems are becoming popular in the indian market these systems are today available in indian mnacs and some top rated restaurants and hotels in

drink vending machine architecture download scientific diagram - Jan 28 2022

web download scientific diagram drink vending machine architecture from publication towards composing software components in both design and deployment phases in component based software

[activity diagram for ticket vending machine slideshare](#) - Jul 02 2022

web nov 19 2014 activity diagram for ticket vending machine nov 19 2014 0 likes 5 043 views yaswanth babu gummadivelli follow software engineer at abhisyanthas education activity diagram for ticket vending machine