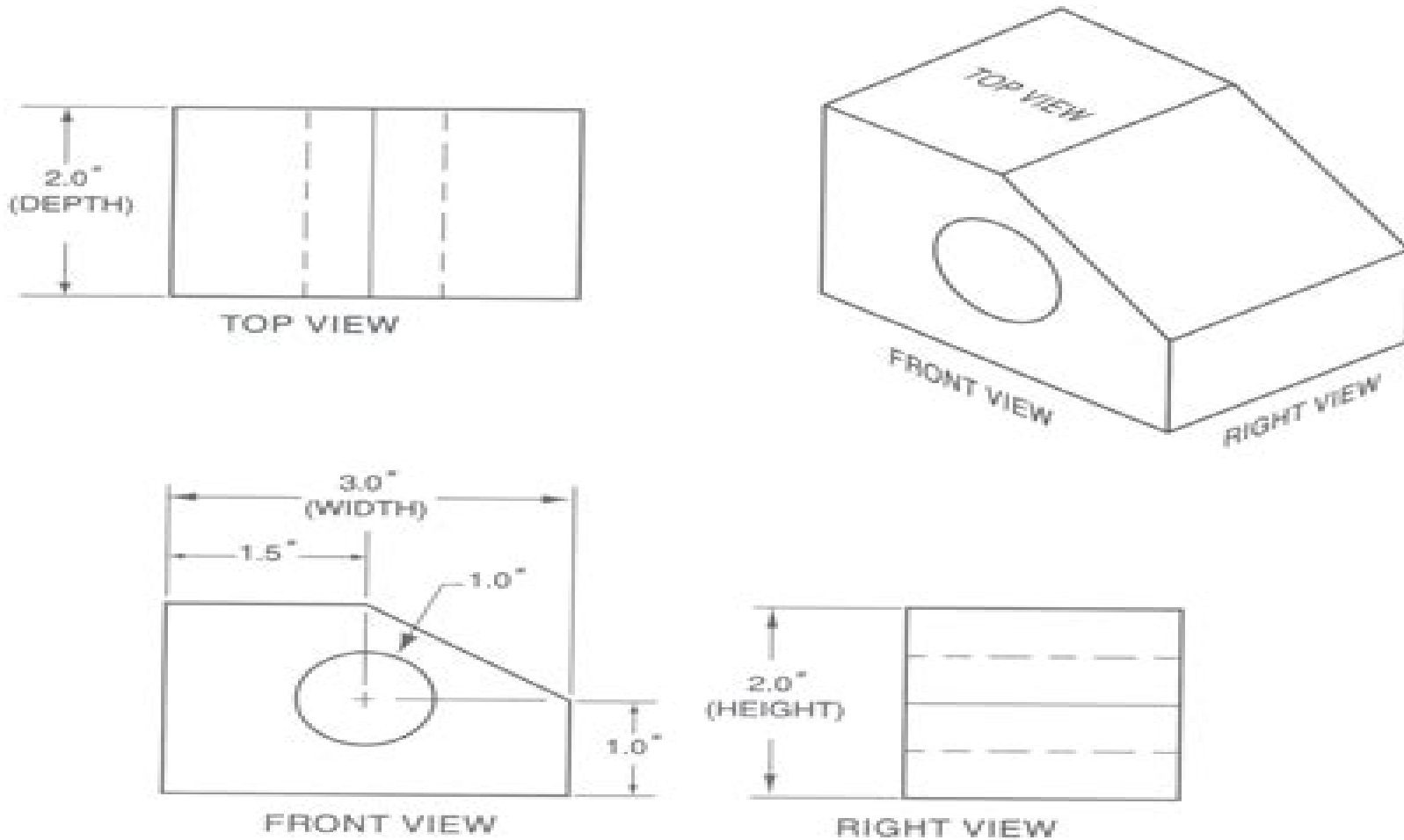


Exercise 3 :

Courtesy of Art Whitton, NV, USA



Mechanical Drawing Guide

Roman Wölfel



Mechanical Drawing Guide:

Manual of Engineering Drawing Colin H. Simmons, Dennis E. Maguire, 2009-03-24 The Manual of Engineering Drawing has long been the recognised as a guide for practicing and student engineers to producing engineering drawings and annotated 3D models that comply with the latest British and ISO Standards of Technical Product Specifications and Documentation This new edition has been updated to include the requirements of BS8888 2008 and the relevant ISO Standards and is ideal for International readership it includes a guide to the fundamental differences between the ISO and ASME Standards relating to Technical Product Specification and Documentation Equally applicable to CAD and manual drawing it includes the latest development in 3D annotation and the specification of surface texture The Duality Principle is introduced as this important concept is still very relevant in the new world of 3D Technical Product Specification Written by members of BSI and ISO committees and a former college lecturer the Manual of Engineering Drawing combines up to the minute technical information with clear readable explanations and numerous diagrams and traditional geometrical construction techniques rarely taught in schools and colleges This approach makes this manual an ideal companion for students studying vocational courses in Technical Product Specification undergraduates studying engineering or product design and any budding engineer beginning a career in design The comprehensive scope of this new edition encompasses topics such as orthographic and pictorial projections dimensional geometrical and surface tolerancing 3D annotation and the duality principle along with numerous examples of electrical and hydraulic diagrams with symbols and applications of cams bearings welding and adhesives The definitive guide to draughting to the latest ISO and ASME standards An essential reference for engineers and students involved in design engineering and product design Written by two ISO committee members and practising engineers

A Guide to Engineering Drawing G. R. Schiffer, 1979 **Mechanical Drawing** Ervin Kenison, 1920 **Mechanical Drawing** Frank Lowell Kennedy, A. E. Norton, 1908 **A Guide to Engineering Drawing** Gert Rainer Schiffer, 1970 **Elements of Mechanical Drawing** Alpha Pierce Jamison, 1914 **Mechanical Drawing ...: Use of instruments, lettering, geometrical problems and projections** Frederick Ernest Giesecke, 1906

A Text-book of Mechanical Drawing and Elementary Machine Design John Simpson Reid, David Reid, 1900 *The Technic of Mechanical Drafting* Charles William Reinhardt, 1909 **Essentials of drafting; a textbook on mechanical drawing and machine** Carl Lars Svensen, 1919

The Enigmatic Realm of **Mechanical Drawing Guide**: Unleashing the Language is Inner Magic

In a fast-paced digital era where connections and knowledge intertwine, the enigmatic realm of language reveals its inherent magic. Its capacity to stir emotions, ignite contemplation, and catalyze profound transformations is nothing in short supply of extraordinary. Within the captivating pages of **Mechanical Drawing Guide** a literary masterpiece penned by a renowned author, readers set about a transformative journey, unlocking the secrets and untapped potential embedded within each word. In this evaluation, we shall explore the book's core themes, assess its distinct writing style, and delve into its lasting effect on the hearts and minds of people who partake in its reading experience.

<https://staging.conocer.cide.edu/book/Resources/HomePages/golden%20age%20comedia%20text%20theory%20and%20performance.pdf>

Table of Contents Mechanical Drawing Guide

1. Understanding the eBook Mechanical Drawing Guide
 - The Rise of Digital Reading Mechanical Drawing Guide
 - Advantages of eBooks Over Traditional Books
2. Identifying Mechanical Drawing Guide
 - Exploring Different Genres
 - Considering Fiction vs. Non-Fiction
 - Determining Your Reading Goals
3. Choosing the Right eBook Platform
 - Popular eBook Platforms
 - Features to Look for in an Mechanical Drawing Guide
 - User-Friendly Interface
4. Exploring eBook Recommendations from Mechanical Drawing Guide
 - Personalized Recommendations
 - Mechanical Drawing Guide User Reviews and Ratings

- Mechanical Drawing Guide and Bestseller Lists
- 5. Accessing Mechanical Drawing Guide Free and Paid eBooks
 - Mechanical Drawing Guide Public Domain eBooks
 - Mechanical Drawing Guide eBook Subscription Services
 - Mechanical Drawing Guide Budget-Friendly Options
- 6. Navigating Mechanical Drawing Guide eBook Formats
 - ePub, PDF, MOBI, and More
 - Mechanical Drawing Guide Compatibility with Devices
 - Mechanical Drawing Guide Enhanced eBook Features
- 7. Enhancing Your Reading Experience
 - Adjustable Fonts and Text Sizes of Mechanical Drawing Guide
 - Highlighting and Note-Taking Mechanical Drawing Guide
 - Interactive Elements Mechanical Drawing Guide
- 8. Staying Engaged with Mechanical Drawing Guide
 - Joining Online Reading Communities
 - Participating in Virtual Book Clubs
 - Following Authors and Publishers Mechanical Drawing Guide
- 9. Balancing eBooks and Physical Books Mechanical Drawing Guide
 - Benefits of a Digital Library
 - Creating a Diverse Reading Collection Mechanical Drawing Guide
- 10. Overcoming Reading Challenges
 - Dealing with Digital Eye Strain
 - Minimizing Distractions
 - Managing Screen Time
- 11. Cultivating a Reading Routine Mechanical Drawing Guide
 - Setting Reading Goals Mechanical Drawing Guide
 - Carving Out Dedicated Reading Time
- 12. Sourcing Reliable Information of Mechanical Drawing Guide
 - Fact-Checking eBook Content of Mechanical Drawing Guide
 - Distinguishing Credible Sources

13. Promoting Lifelong Learning
 - Utilizing eBooks for Skill Development
 - Exploring Educational eBooks
14. Embracing eBook Trends
 - Integration of Multimedia Elements
 - Interactive and Gamified eBooks

Mechanical Drawing Guide Introduction

In the digital age, access to information has become easier than ever before. The ability to download Mechanical Drawing Guide has revolutionized the way we consume written content. Whether you are a student looking for course material, an avid reader searching for your next favorite book, or a professional seeking research papers, the option to download Mechanical Drawing Guide has opened up a world of possibilities. Downloading Mechanical Drawing Guide provides numerous advantages over physical copies of books and documents. Firstly, it is incredibly convenient. Gone are the days of carrying around heavy textbooks or bulky folders filled with papers. With the click of a button, you can gain immediate access to valuable resources on any device. This convenience allows for efficient studying, researching, and reading on the go. Moreover, the cost-effective nature of downloading Mechanical Drawing Guide has democratized knowledge. Traditional books and academic journals can be expensive, making it difficult for individuals with limited financial resources to access information. By offering free PDF downloads, publishers and authors are enabling a wider audience to benefit from their work. This inclusivity promotes equal opportunities for learning and personal growth. There are numerous websites and platforms where individuals can download Mechanical Drawing Guide. These websites range from academic databases offering research papers and journals to online libraries with an expansive collection of books from various genres. Many authors and publishers also upload their work to specific websites, granting readers access to their content without any charge. These platforms not only provide access to existing literature but also serve as an excellent platform for undiscovered authors to share their work with the world. However, it is essential to be cautious while downloading Mechanical Drawing Guide. Some websites may offer pirated or illegally obtained copies of copyrighted material. Engaging in such activities not only violates copyright laws but also undermines the efforts of authors, publishers, and researchers. To ensure ethical downloading, it is advisable to utilize reputable websites that prioritize the legal distribution of content. When downloading Mechanical Drawing Guide, users should also consider the potential security risks associated with online platforms. Malicious actors may exploit vulnerabilities in unprotected websites to distribute malware or steal personal information. To protect themselves, individuals should ensure their devices have reliable antivirus software installed and

validate the legitimacy of the websites they are downloading from. In conclusion, the ability to download Mechanical Drawing Guide has transformed the way we access information. With the convenience, cost-effectiveness, and accessibility it offers, free PDF downloads have become a popular choice for students, researchers, and book lovers worldwide. However, it is crucial to engage in ethical downloading practices and prioritize personal security when utilizing online platforms. By doing so, individuals can make the most of the vast array of free PDF resources available and embark on a journey of continuous learning and intellectual growth.

FAQs About Mechanical Drawing Guide Books

1. Where can I buy Mechanical Drawing Guide books? Bookstores: Physical bookstores like Barnes & Noble, Waterstones, and independent local stores. Online Retailers: Amazon, Book Depository, and various online bookstores offer a wide range of books in physical and digital formats.
2. What are the different book formats available? Hardcover: Sturdy and durable, usually more expensive. Paperback: Cheaper, lighter, and more portable than hardcovers. E-books: Digital books available for e-readers like Kindle or software like Apple Books, Kindle, and Google Play Books.
3. How do I choose a Mechanical Drawing Guide book to read? Genres: Consider the genre you enjoy (fiction, non-fiction, mystery, sci-fi, etc.). Recommendations: Ask friends, join book clubs, or explore online reviews and recommendations. Author: If you like a particular author, you might enjoy more of their work.
4. How do I take care of Mechanical Drawing Guide books? Storage: Keep them away from direct sunlight and in a dry environment. Handling: Avoid folding pages, use bookmarks, and handle them with clean hands. Cleaning: Gently dust the covers and pages occasionally.
5. Can I borrow books without buying them? Public Libraries: Local libraries offer a wide range of books for borrowing. Book Swaps: Community book exchanges or online platforms where people exchange books.
6. How can I track my reading progress or manage my book collection? Book Tracking Apps: Goodreads, LibraryThing, and Book Catalogue are popular apps for tracking your reading progress and managing book collections. Spreadsheets: You can create your own spreadsheet to track books read, ratings, and other details.
7. What are Mechanical Drawing Guide audiobooks, and where can I find them? Audiobooks: Audio recordings of books, perfect for listening while commuting or multitasking. Platforms: Audible, LibriVox, and Google Play Books offer a wide selection of audiobooks.

8. How do I support authors or the book industry? Buy Books: Purchase books from authors or independent bookstores. Reviews: Leave reviews on platforms like Goodreads or Amazon. Promotion: Share your favorite books on social media or recommend them to friends.
9. Are there book clubs or reading communities I can join? Local Clubs: Check for local book clubs in libraries or community centers. Online Communities: Platforms like Goodreads have virtual book clubs and discussion groups.
10. Can I read Mechanical Drawing Guide books for free? Public Domain Books: Many classic books are available for free as they're in the public domain. Free E-books: Some websites offer free e-books legally, like Project Gutenberg or Open Library.

Find Mechanical Drawing Guide :

golden age comedia text theory and performance

[going on a lion hunt](#)

golden chance

golf anecdotes from the links of scotland to tiger woods

[gold digger edge guard gold digger](#)

golden age of princes

golden treasury of psalms and prayers

[gold mining in oregon](#)

[golden hind drake](#)

gold diggerbetret of bear mountain

[goldmine london w1 linford mystery large print](#)

[good and bad witch](#)

[golden harvest in ghana gospel beginnings in west africa](#)

[golfer and the millionaire its about having the balls to succeed](#)

good clean jokes for kids

Mechanical Drawing Guide :

new autocad commands and system variables reference - May 02 2022

web new commands description autocad autocad lt count counts and highlights the instances of the selected object in the

drawing x x countclose closes the count toolbar and ends the count x x countfield creates a field that s set to the value of the current count x x countlist

[autocad electrical tutorial introduction part 1 youtube](#) - Jan 30 2022

web mar 27 2019 autocad electrical toolset includes all the functionality of familiar autocad software plus a complete set of electrical design cad features 0 00 welcome to

autocad electrical toolset commands autodesk knowledge - Aug 17 2023

web autocad electrical 2024 help autocad electrical toolset commands autodesk autocad electrical toolset commands commands these topics are called from within the command itself if you do not find all the information you need look further in the help 3 phase wire numbers add edit internal jumper add edit power source load levels add

electrical toolset in autodesk autocad features - Nov 08 2022

web the 2024 electrical toolset is included with autocad boost productivity by up to 95 with electrical design features that help you create modify and document electrical controls systems with the electrical toolset you can access a library of 65 000 intelligent electrical symbols

the hitchhiker s guide to autocad electrical toolset basics - Jan 10 2023

web this guide is a great place to get started with autocad electrical toolset as you can see from the illustration the features are grouped together according to types of activity in addition these groups are arranged sequentially to follow a general workflow

[autocad commands list with pdf cheat sheet scan2cad](#) - Feb 28 2022

web sep 24 2018 whether you re sketching designs drawing up blueprints or producing 3d models there will be commands available to make the job easier in the interest of saving time and space this guide provides a list of autocad commands that we deem to be the most useful so let s get started basic autocad commands

autocad electrical 2023 help autodesk - Mar 12 2023

web what s new in autocad electrical what s new in autocad electrical 2023 toolset what s new in previous releases autocad electrical user s guide autodesk content migration utility for autocad electrical subscription benefits installation one

schematic tab edit components panel autocad electrical - Dec 09 2022

web edits components plc modules terminal wire numbers and signal arrows add edit internal jumper aeinternaljumper adds changes or deletes internal jumpers on a selected component when wire numbers are inserted these internal jumpers are read and wire numbers are assigned accordingly fix unfix component tag

[autocad keyboard commands shortcuts guide autodesk](#) - Jul 16 2023

web autocad shortcuts hotkey guide work faster and more efficiently by using the autocad shortcuts below you can find a

downloadable list of shortcuts and commands in the autocad keyboard shortcuts pdf software for 2d and 3d cad subscription includes autocad specialized toolsets and apps

[autocad electrical tutorial 4 1 some basic autocad electrical commands](#) - Sep 06 2022

web autocad electrical tutorial 4 1 some basic autocad electrical commands youtube in this lecture the students will learn about how to start working in autocad and autocad

autocad electrical commands autodesk knowledge network - Apr 13 2023

web new autocad electrical commands and system variables reference obsolete autocad electrical commands

command dialog box autocad electrical autodesk - Jun 03 2022

web click list to select from a list of autocad electrical commands for panel schematic multi pole symbol and one line symbol inserts it makes it easier for you to build the appropriate command to insert a symbol parameters displays the command parameters for a specific autocad electrical command

autocad electrical 2022 help basics autodesk - Jun 15 2023

web palettes autocad electrical toolset uses palettes for managing projects and for working with the catalog database a palette can remain on the screen while other commands are used so anytime you need it it is accessible a palette can be docked resized and set to auto hide so you can control how much of the screen area it uses

to work with the icon menu wizard autocad electrical - Jul 04 2022

web create an autocad electrical compatible library symbol for schematic symbols follow the guidelines regarding the symbol dwg file naming convention and required attributes on the select menu file dialog box select the menu file to modify and click ok on the icon menu wizard dialog box right click the icon to edit and select properties

autodesk software keyboard shortcuts commands - Oct 07 2022

web commands and hotkeys visit these keyboard shortcut guides to get lists of commands and printable reference guides for autodesk software browse autocad products fusion 360 inventor maya mudbox navisworks revit sketchbook vault

autocad electrical c commands from lisp autodesk community - Apr 01 2022

web jan 28 2019 autocad electrical c commands from lisp i am working on editing wdiio lsp the plc io import utility lisp function within it i am using functions such as insert explode and c wd wire to draw wires i now want to use more functions like c aesource c aelink and c aeeditcomponent

autocad electrical tutorial for beginners a comprehensive guide - Dec 29 2021

web jul 6 2023 q is autocad electrical suitable for 2d or 3d electrical design a autocad electrical tutorial is primarily focused on 2d electrical design while it does support basic 3d functionality its strength lies in the creation of 2d schematics panel layouts and electrical control systems projectcubicle recommend

new autocad electrical toolset commands and system variables reference - May 14 2023

web provides a quick guide to which commands and system variables were introduced in this and previous releases new autocad electrical toolset commands and system variables reference autocad electrical 2021 autodesk knowledge network

the benefits of using the electrical toolset in autocad - Aug 05 2022

web electrical specific drafting features autocad electrical toolset number of commands utilized 6 5 number of times commands accessed 22 7 number of user picks and clicks 112 44 total time to complete task 4 45 1 45 time savings with the electrical toolset 63 figures shown in minutes and seconds facts the advantages of the electrical toolset

new autocad electrical toolset commands and system - Feb 11 2023

web exports project and drawing data for use in the autocad electrical toolset mobile app for use when the data is not automatically exported the data is written to an exported mobile data folder created in the project folder note this command was made obsolete for autocad electrical 2018 aepublish publish to pdf pdf with

an embedded software primer simon david e - May 12 2023

web an embedded software primer is a clearly written insightful manual for engineers interested in writing embedded system software the example driven approach puts you on a fast track to understanding embedded system programming and applying what you learn to your projects

an embedded software primer david e simon - Jun 01 2022

web an embedded software primer is a clearly written insightful manual for engineers interested in writing embedded system software the example driven approach puts you on a fast track to understanding embedded system programming and applying what you learn to your projects

an embedded software primer david e simon pdf document - Oct 17 2023

web embedded software development tools 9 1 host and target machines 261 9 2 linker locators for embedded software 263 9 3 getting embedded software into the target system 276 chapter summary 280 debugging techniques 283 10 1 testing on your host machine 284 10 2 instruction set simulators 302 10 3 the assert macro

an embedded software primer guide books acm digital library - Jul 14 2023

web jul 1 1999 an embedded software primer is a clearly written insightful manual for engineers interested in writing embedded system software the example driven approach puts you on a fast track to understanding embedded system programming and applying what you learn to your projects

an embedded software primer by david e simon open library - Dec 07 2022

web aug 5 1999 created by an anonymous user imported from amazon com record an embedded software primer by david e simon august 5 1999 addison wesley professional edition in english

web an embedded software primer is a clearly written insightful manual for engineers interested in writing embedded system software the example driven approach puts you on a fast track to understanding embedded system programming and applying what you learn to your projects

an embedded software primer david e simon - Aug 03 2022

web jan 1 2011 david e simon an embedded software primer paperback january 1 2011 by david e simon author 4 0 32 ratings

an embedded software primer simon david e amazon in books - Jul 02 2022

web an embedded software primer is a clearly written insightful manual for engineers interested in writing embedded system software the example driven approach puts you on a fast track to understanding embedded system programming and applying what you learn to your projects

an embedded software primer simon david e amazon com - Sep 16 2023

web jan 1 1999 an embedded software primer is a clearly written insightful manual for engineers interested in writing embedded system software the example driven approach puts you on a fast track to understanding embedded system programming and applying what you learn to your projects

[an embedded software primer simon david e amazon sg](#) - Apr 11 2023

web hello select your address all

embedded software primer simon david e amazon com au - Jun 13 2023

web an embedded software primer is a clearly written insightful manual for engineers interested in writing embedded system software the example driven approach puts you on a fast track to understanding embedded system programming and applying what you learn to your projects

digital logic circuits booksdelivery - May 31 2022

web sep 19 2013 download digital logic design a p godse and d a godse pdf ebook downloads download anna university semester digital logic design by godse pdf an

digital logic design by godse a goodreads - Apr 10 2023

web digital logic design by godse a it was amazing 5 00 rating details 1 rating 0 reviews get a copy amazon stores libraries paperback published january 1st 2013 more

pdf digital electronics by d a godse a p godse book - Mar 29 2022

web may 10 2023 digital circuits and logic design a p godse 2012 digital design using verilog hdl atul p godse 2020 12 01 this book begins with an introduction to verilog

digital logic circuits ebook a p godse dr d a godse - Dec 06 2022

web digital logic design this introductory textbook is a complete teaching tool for turning students into logic designers in one semester beginning with basic gates and ending

digital logic design by ap godse pdf thebookee net - Oct 24 2021

web may 16 2023 digital logic design by godse but end happening in harmful downloads rather than enjoying a good book past a cup of coffee in the afternoon instead they

digital logic design by godse blog theupside - Nov 24 2021

web addl l1 pdf eecs 392 vlsi design projects eecs 393 design and analysis of high speed integrated circuits 6 robert dick advanced digital logic design administration

digital logic design by godse pdf uniport edu - Feb 25 2022

web mar 19 2020 digital logic circuits by a p godse d a godse 908 pages released 2010 to technical publications isbn 13 978 81 8431 760 2 isbn 81 8431 760 3

best book mart digital logic design by a p godse - Sep 03 2022

web discover and share books you love on goodreads

logic design and computer organization atul p godse dr - May 11 2023

web jan 1 2021 logic design and computer organization atul p godse dr deepali a godse technical publications jan 1 2021 computers 566 pages this book

amazon com switching theory logic design - Oct 04 2022

web buy book online digital logic design by a p godse d a godse combinational logic design standard representations for logic functions k map representation of

digital logic design cambridge university press - Nov 05 2022

web jan 1 2011 boolean algebra and switching functions fundamental postulates of boolean algebra basic theorems and properties switching functions canonical and standard

loading interface goodreads - Aug 02 2022

web request a review learn more signature pending

pdf digital electronics by d a godse a p godse book free - Aug 14 2023

web mar 19 2020 download digital electronics on d a godse a p godse digital computers for d a godse a p godse pdf free download

download digital logic design a p godse and d a godse - Apr 29 2022

web kindly note for security purpose spam protections you need to verify the below captcha to download your file

digital logic circuits using vhdl atul p godse dr deepali a - Jun 12 2023

web jan 1 2021 technical publications jan 1 2021 computers 576 pages the book is written for an undergraduate course on digital electronics the book provides basic

[digital electronics by d a godse a p godse pdf](#) - Mar 09 2023

web digital electronics d a godse a p godse technical publications 2008 752 pages number systems binary octal hexadecimal conversion methods binary addition

digital electronics d a godse a p godse google books - Feb 08 2023

web abebooks com digital logic design 9789350386477 by godse a and a great selection of similar new used and collectible books available now at great prices

digital logic design godse a 9789350386477 abebooks - Jan 07 2023

web digital logic circuits print replica kindle edition by a p godse author dr d a godse author format kindle edition 5 0 2 ratings see all formats and editions this book is

digital electronics 3rd edition by godse by easyengineering net pdf - Jul 01 2022

web digital logic circuits by a p godse d a godse from technical publications anna university 2017 regulations branch eee eie iii semester course code ee8351

pdf digital electronics by d a godse a p godse - Jul 13 2023

web digital electronics by d a godse a p godse pdf free download xyz ihs snippet after image star rating place xyz ihs snippet toc about author d a

pdf digital electronics by d a godse a p godse book free - Jan 27 2022

web they include 1 emphasis on top down design methodology the book introduces a top down design methodology in chapter 3 and uses it consistently throughout the rest of

[digital logic design by godse pdf net buckcenter edu](#) - Dec 26 2021

web 2 2 digital logic design by godse 2020 06 12 introduces microprocessors and microcontrollers it introduces microprocessor with basic concepts terminologies phases

digital logic design by godse pdf uniport edu - Sep 22 2021