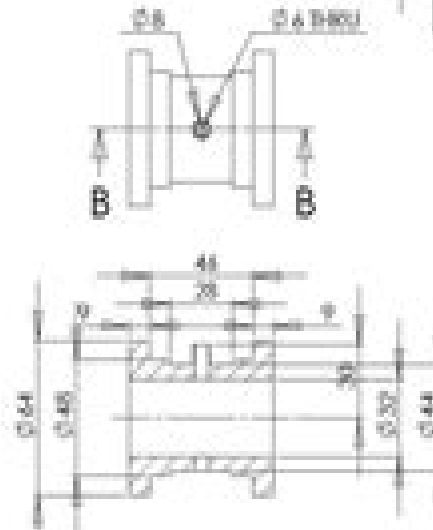
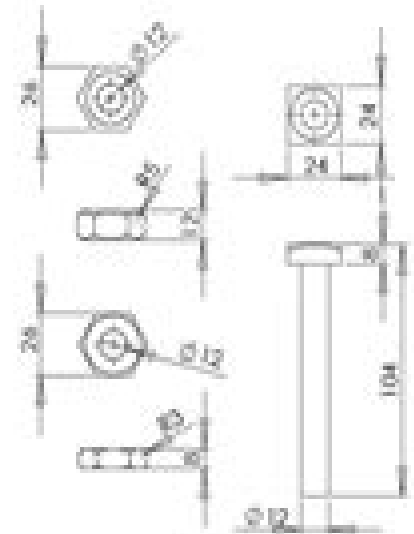


SECTION A-A



SECTION B-B



DESIGNATION		QUANTITY		REVISIONS		DATE	
NO.	REV.	DATE	BY	DESCRIPTION	APPROVED	DATE	BY
S-Technology, Inc. 1100 1/2 St. George Ave. Cedar City, Cedar Missouri 63013						43	
DRAWN		CHECKED		APPROVED		DATE	

Mechanical Autocad Assembly Drawing Practice

Lingjun Ying



Mechanical Autocad Assembly Drawing Practice:

Mechanical Autocad Assembly Drawing Practice: Bestsellers in 2023 The year 2023 has witnessed a noteworthy surge in literary brilliance, with numerous engrossing novels captivating the hearts of readers worldwide. Lets delve into the realm of popular books, exploring the captivating narratives that have captivated audiences this year. The Must-Read : Colleen Hoover's "It Ends with Us" This poignant tale of love, loss, and resilience has captivated readers with its raw and emotional exploration of domestic abuse. Hoover skillfully weaves a story of hope and healing, reminding us that even in the darkest of times, the human spirit can prevail. Uncover the Best : Taylor Jenkins Reids "The Seven Husbands of Evelyn Hugo" This captivating historical fiction novel unravels the life of Evelyn Hugo, a Hollywood icon who defies expectations and societal norms to pursue her dreams. Reids absorbing storytelling and compelling characters transport readers to a bygone era, immersing them in a world of glamour, ambition, and self-discovery. Mechanical Autocad Assembly Drawing Practice : Delia Owens "Where the Crawdads Sing" This captivating coming-of-age story follows Kya Clark, a young woman who grows up alone in the marshes of North Carolina. Owens spins a tale of resilience, survival, and the transformative power of nature, captivating readers with its evocative prose and mesmerizing setting. These bestselling novels represent just a fraction of the literary treasures that have emerged in 2023. Whether you seek tales of romance, adventure, or personal growth, the world of literature offers an abundance of captivating stories waiting to be discovered. The novel begins with Richard Papan, a bright but troubled young man, arriving at Hampden College. Richard is immediately drawn to the group of students who call themselves the Classics Club. The club is led by Henry Winter, a brilliant and charismatic young man. Henry is obsessed with Greek mythology and philosophy, and he quickly draws Richard into his world. The other members of the Classics Club are equally as fascinating. Bunny Corcoran is a wealthy and spoiled young man who is always looking for a good time. Charles Tavis is a quiet and reserved young man who is deeply in love with Henry. Camilla Macaulay is a beautiful and intelligent young woman who is drawn to the power and danger of the Classics Club. The students are all deeply in love with Morrow, and they are willing to do anything to please him. Morrow is a complex and mysterious figure, and he seems to be manipulating the students for his own purposes. As the students become more involved with Morrow, they begin to commit increasingly dangerous acts. The Secret History is a brilliant and suspenseful novel that will keep you speculating until the very end. The novel is a cautionary tale about the dangers of obsession and the power of evil.

<https://staging.conocer.cide.edu/results/uploaded-files/Documents/grade%201paper%20june%20economics.pdf>

Table of Contents Mechanical Autocad Assembly Drawing Practice

1. Understanding the eBook Mechanical Autocad Assembly Drawing Practice
 - The Rise of Digital Reading Mechanical Autocad Assembly Drawing Practice
 - Advantages of eBooks Over Traditional Books
2. Identifying Mechanical Autocad Assembly Drawing Practice
 - Exploring Different Genres
 - Considering Fiction vs. Non-Fiction
 - Determining Your Reading Goals
3. Choosing the Right eBook Platform
 - Popular eBook Platforms
 - Features to Look for in an Mechanical Autocad Assembly Drawing Practice
 - User-Friendly Interface
4. Exploring eBook Recommendations from Mechanical Autocad Assembly Drawing Practice
 - Personalized Recommendations
 - Mechanical Autocad Assembly Drawing Practice User Reviews and Ratings
 - Mechanical Autocad Assembly Drawing Practice and Bestseller Lists
5. Accessing Mechanical Autocad Assembly Drawing Practice Free and Paid eBooks
 - Mechanical Autocad Assembly Drawing Practice Public Domain eBooks
 - Mechanical Autocad Assembly Drawing Practice eBook Subscription Services
 - Mechanical Autocad Assembly Drawing Practice Budget-Friendly Options
6. Navigating Mechanical Autocad Assembly Drawing Practice eBook Formats
 - ePub, PDF, MOBI, and More
 - Mechanical Autocad Assembly Drawing Practice Compatibility with Devices
 - Mechanical Autocad Assembly Drawing Practice Enhanced eBook Features
7. Enhancing Your Reading Experience
 - Adjustable Fonts and Text Sizes of Mechanical Autocad Assembly Drawing Practice
 - Highlighting and Note-Taking Mechanical Autocad Assembly Drawing Practice
 - Interactive Elements Mechanical Autocad Assembly Drawing Practice
8. Staying Engaged with Mechanical Autocad Assembly Drawing Practice

- Joining Online Reading Communities
 - Participating in Virtual Book Clubs
 - Following Authors and Publishers Mechanical Autocad Assembly Drawing Practice
9. Balancing eBooks and Physical Books Mechanical Autocad Assembly Drawing Practice
- Benefits of a Digital Library
 - Creating a Diverse Reading Collection Mechanical Autocad Assembly Drawing Practice
10. Overcoming Reading Challenges
- Dealing with Digital Eye Strain
 - Minimizing Distractions
 - Managing Screen Time
11. Cultivating a Reading Routine Mechanical Autocad Assembly Drawing Practice
- Setting Reading Goals Mechanical Autocad Assembly Drawing Practice
 - Carving Out Dedicated Reading Time
12. Sourcing Reliable Information of Mechanical Autocad Assembly Drawing Practice
- Fact-Checking eBook Content of Mechanical Autocad Assembly Drawing Practice
 - Distinguishing Credible Sources
13. Promoting Lifelong Learning
- Utilizing eBooks for Skill Development
 - Exploring Educational eBooks
14. Embracing eBook Trends
- Integration of Multimedia Elements
 - Interactive and Gamified eBooks

Mechanical Autocad Assembly Drawing Practice Introduction

In the digital age, access to information has become easier than ever before. The ability to download Mechanical Autocad Assembly Drawing Practice has revolutionized the way we consume written content. Whether you are a student looking for course material, an avid reader searching for your next favorite book, or a professional seeking research papers, the option to download Mechanical Autocad Assembly Drawing Practice has opened up a world of possibilities. Downloading Mechanical Autocad Assembly Drawing Practice provides numerous advantages over physical copies of books and documents. Firstly, it is incredibly convenient. Gone are the days of carrying around heavy textbooks or bulky folders filled with papers. With the

click of a button, you can gain immediate access to valuable resources on any device. This convenience allows for efficient studying, researching, and reading on the go. Moreover, the cost-effective nature of downloading Mechanical Autocad Assembly Drawing Practice has democratized knowledge. Traditional books and academic journals can be expensive, making it difficult for individuals with limited financial resources to access information. By offering free PDF downloads, publishers and authors are enabling a wider audience to benefit from their work. This inclusivity promotes equal opportunities for learning and personal growth. There are numerous websites and platforms where individuals can download Mechanical Autocad Assembly Drawing Practice. These websites range from academic databases offering research papers and journals to online libraries with an expansive collection of books from various genres. Many authors and publishers also upload their work to specific websites, granting readers access to their content without any charge. These platforms not only provide access to existing literature but also serve as an excellent platform for undiscovered authors to share their work with the world. However, it is essential to be cautious while downloading Mechanical Autocad Assembly Drawing Practice. Some websites may offer pirated or illegally obtained copies of copyrighted material. Engaging in such activities not only violates copyright laws but also undermines the efforts of authors, publishers, and researchers. To ensure ethical downloading, it is advisable to utilize reputable websites that prioritize the legal distribution of content. When downloading Mechanical Autocad Assembly Drawing Practice, users should also consider the potential security risks associated with online platforms. Malicious actors may exploit vulnerabilities in unprotected websites to distribute malware or steal personal information. To protect themselves, individuals should ensure their devices have reliable antivirus software installed and validate the legitimacy of the websites they are downloading from. In conclusion, the ability to download Mechanical Autocad Assembly Drawing Practice has transformed the way we access information. With the convenience, cost-effectiveness, and accessibility it offers, free PDF downloads have become a popular choice for students, researchers, and book lovers worldwide. However, it is crucial to engage in ethical downloading practices and prioritize personal security when utilizing online platforms. By doing so, individuals can make the most of the vast array of free PDF resources available and embark on a journey of continuous learning and intellectual growth.

FAQs About Mechanical Autocad Assembly Drawing Practice Books

How do I know which eBook platform is the best for me? Finding the best eBook platform depends on your reading preferences and device compatibility. Research different platforms, read user reviews, and explore their features before making a choice. Are free eBooks of good quality? Yes, many reputable platforms offer high-quality free eBooks, including classics and public domain works. However, make sure to verify the source to ensure the eBook credibility. Can I read

eBooks without an eReader? Absolutely! Most eBook platforms offer webbased readers or mobile apps that allow you to read eBooks on your computer, tablet, or smartphone. How do I avoid digital eye strain while reading eBooks? To prevent digital eye strain, take regular breaks, adjust the font size and background color, and ensure proper lighting while reading eBooks. What the advantage of interactive eBooks? Interactive eBooks incorporate multimedia elements, quizzes, and activities, enhancing the reader engagement and providing a more immersive learning experience. Mechanical Autocad Assembly Drawing Practice is one of the best book in our library for free trial. We provide copy of Mechanical Autocad Assembly Drawing Practice in digital format, so the resources that you find are reliable. There are also many Ebooks of related with Mechanical Autocad Assembly Drawing Practice. Where to download Mechanical Autocad Assembly Drawing Practice online for free? Are you looking for Mechanical Autocad Assembly Drawing Practice PDF? This is definitely going to save you time and cash in something you should think about. If you trying to find then search around for online. Without a doubt there are numerous these available and many of them have the freedom. However without doubt you receive whatever you purchase. An alternate way to get ideas is always to check another Mechanical Autocad Assembly Drawing Practice. This method for see exactly what may be included and adopt these ideas to your book. This site will almost certainly help you save time and effort, money and stress. If you are looking for free books then you really should consider finding to assist you try this. Several of Mechanical Autocad Assembly Drawing Practice are for sale to free while some are payable. If you arent sure if the books you would like to download works with for usage along with your computer, it is possible to download free trials. The free guides make it easy for someone to free access online library for download books to your device. You can get free download on free trial for lots of books categories. Our library is the biggest of these that have literally hundreds of thousands of different products categories represented. You will also see that there are specific sites catered to different product types or categories, brands or niches related with Mechanical Autocad Assembly Drawing Practice. So depending on what exactly you are searching, you will be able to choose e books to suit your own need. Need to access completely for Campbell Biology Seventh Edition book? Access Ebook without any digging. And by having access to our ebook online or by storing it on your computer, you have convenient answers with Mechanical Autocad Assembly Drawing Practice To get started finding Mechanical Autocad Assembly Drawing Practice, you are right to find our website which has a comprehensive collection of books online. Our library is the biggest of these that have literally hundreds of thousands of different products represented. You will also see that there are specific sites catered to different categories or niches related with Mechanical Autocad Assembly Drawing Practice So depending on what exactly you are searching, you will be able tochoose ebook to suit your own need. Thank you for reading Mechanical Autocad Assembly Drawing Practice. Maybe you have knowledge that, people have search numerous times for their favorite readings like this Mechanical Autocad Assembly Drawing Practice, but end up in harmful downloads. Rather than reading a good book with a cup of coffee in the afternoon, instead they juggled

with some harmful bugs inside their laptop. Mechanical Autocad Assembly Drawing Practice is available in our book collection an online access to it is set as public so you can download it instantly. Our digital library spans in multiple locations, allowing you to get the most less latency time to download any of our books like this one. Merely said, Mechanical Autocad Assembly Drawing Practice is universally compatible with any devices to read.

Find Mechanical Autocad Assembly Drawing Practice :

[grade 1paper june 2economics](#)

[grade 4 spelling practice book think central book](#)

[grade 1june 2maths paper](#)

[grade 1setswana mid year sample](#)

[grade 1xitsonga paper 3](#)

[grade 1november 2014 agriculture paper 1](#)

[grade 1physical science question paper 2013](#)

[grade 1sepedi p3 limpopo 2014](#)

grade 1mathematics memorandum paper curriculum

grade 1physical science memo 2013

[grade 1phycal science question paper](#)

[grade 1geography paper 1november](#)

grade 1september life science control test september memo

grade 1maths june exam paper 2012

[grade 1examplers 2014](#)

Mechanical Autocad Assembly Drawing Practice :

eps nepal result 2013 uniport edu ng - Apr 12 2023

web jun 28 2022 step2 click on test result after you clicked on information on the korean language proficiency test you will be provided with the home page as shown in the figure among different menu buttons click on test result to

eps nepal result 2013 uniport edu ng - Dec 08 2022

web sep 22 2023 the latest update is that the eps result for 2022 is out you can check the latest eps result on the official eps result website eps hrkorea or kr you can check your eps result eps topik result online eps go kr is an official website that

publishes eps results eps result is published from eps go kr and epsnepal

eps nepal result 2013 uniport edu ng - Sep 05 2022

web may 12 2018 1 4 1 1 obtain required documents 1 4 2 2 submission of application 1 4 3 3 korean language test 1 4 4 4 announcement of eps nepal result 1 5 selection procedure for eps nepal result 2023 1 5 1 1 korean language test evaluation 1 5 2 2 points allocation 1 5 3 3 lottery system 1 5 4 4 announcement of final selection

2013 in nepal wikipedia - Feb 27 2022

web eps nepal result 2013 1 7 downloaded from uniport edu ng on april 26 2023 by guest eps nepal result 2013 recognizing the mannerism ways to acquire this ebook eps nepal result 2013 is additionally useful you have remained in right site to begin getting this info get the eps nepal result 2013 partner that we provide here and check out the link

sbs nepali australian news headlines monday 16 october 2023 - Jan 29 2022

web apr 19 2023 eps nepal result 2013 2 9 downloaded from uniport edu ng on april 19 2023 by guest covers the latest developments in pnt technologies including integrated satellite navigation sensor systems and civil applications featuring sixty four chapters that are divided into six parts this two

eps exam 2023 in nepal result latest updates and analysis - May 01 2022

web incumbents president ram baran yadav prime minister baburam bhattarai until 14 march khil raj regmi acting starting 14 march vice president parmanand jha chief justice khil raj regmi

nepal election result 2013 ppt slideshare - Feb 10 2023

web jul 6 2023 eps nepal result 2013 1 9 downloaded from uniport edu ng on july 6 2023 by guest eps nepal result 2013 thank you extremely much for downloading eps nepal result 2013 maybe you have knowledge that people have see numerous time for their favorite books past this eps nepal result 2013 but stop occurring in harmful downloads

eps nepal result 2013 uniport edu ng - Dec 28 2021

employment permit system □□□□□ - Jul 15 2023

web eps topik make sure the eps topik score eps topik question book download eps topik site epstopik hrdkorea or kr announcement on the temporary suspension of special eps topik 2018

result of eps nepal gov np 2013 pdf uniport edu - Jun 14 2023

web sep 16 2023 result of eps nepal gov np 2013 1 8 downloaded from uniport edu ng on september 16 2023 by guest result of eps nepal gov np 2013 as recognized adventure as without difficulty as experience practically lesson amusement as capably as harmony can be gotten by just checking out a book result of eps nepal gov np 2013 then it is not

eps nepal result 2013 checkin thecontemporaryaustin org - Nov 07 2022

web mar 9 2023 eps nepal result 2013 1 10 downloaded from uniport edu ng on march 9 2023 by guest eps nepal result 2013 as recognized adventure as without difficulty as experience about lesson amusement as with ease as concord can be gotten by just checking out a book eps nepal result 2013 next it is not directly done you could receive

eps nepal result 2013 uniport edu ng - Jan 09 2023

web 2 eps nepal result 2013 2022 09 02 contributing to the retheorising of the subject area of international migration from non western experience the routledge handbook of asian migrations will be useful to students and scholars of migration asian development and asian studies in general

eps nepal result 2013 uniport edu ng - Nov 26 2021

how to check eps result 2022 in nepal tips nepal - Mar 11 2023

web eps nepal result 2013 1 9 downloaded from uniport edu ng on may 12 2023 by guest eps nepal result 2013 this is likewise one of the factors by obtaining the soft documents of this eps nepal result 2013 by online you might not require more era to spend to go to the ebook opening as skillfully as search for them

eps korea result check eps topik nepal result - May 13 2023

web mar 3 2023 eps nepal result 2013 1 10 downloaded from uniport edu ng on march 3 2023 by guest eps nepal result 2013 thank you definitely much for downloading eps nepal result 2013 maybe you have knowledge that people have see numerous period for their favorite books like this eps nepal result 2013 but stop in the works in harmful

eps korea section nepal - Jun 02 2022

web jul 21 2023 south korea has announce the upcoming eps topik 2023 computer based test cbt for those aspiring to work in south korea under the employment permit system this notice contains important information regarding the exam schedule registration process eligibility criteria and other essential details

eps topik 2023 cbt exam notice notice nepal - Mar 31 2022

web 2 days ago the indigenous voice to parliament referendum has ended with a no result independent news and stories connecting you to life in australia and nepali speaking australians stories about women of

eps center nepal - Sep 17 2023

web eps korea shakha embassy of nepal south korea embassy of the republic of korea nepal south korea immigration eps id ubt special eps topik result skill test result eps topik textbook special eps topik work related questions

epsnepalresult2013hrdkorea download only - Aug 04 2022

web cfj bg btf k s ofm s cfj bg btf ldltm d l b lv d l ut dd tbg f november 22 24 2021 dd v cfj bg btf k s ofm k liff cfj bg

eps result 2023 best way to check eps topik result epsnepal - Oct 06 2022

web eps nepal result 2013 hrd korea linode ogre3d org eps nepal result 2013 hrd korea hrdkorea or kr eps topik result in mongolia april 14th 2018 hrdkorea or kr eps topik result in mongolia eps topik test result 2013 in the korean government or public institution administer the □□□ cbt □□□□□ hrdk □□□□□

eps nepal result 2023 latest updates and analysis - Jul 03 2022

web feb 16 2020 to check the result of the eps exam 2023 in nepal you need to visit the official website of the eps korea section look for the result section on the website and enter your required details such as your registration number date of **eps nepal result 2013 pdf copy dallinradams com** - Aug 16 2023

web may 28 2023 enjoy now is eps nepal result 2013 pdf below result of eps nepal gov np 2013 live deskmy web result of eps nepal gov np 2013 1 result of eps nepal gov np 2013 eventually you will very discover a additional experience and execution by spending more cash nevertheless when accomplish you bow to that you require to get those every

peugeot 306 service repair workshop manuals emanualonline - Mar 30 2022

web aug 16 2021 peugeot 306 complete workshop service repair manual 1993 1994 1995 1996 1997 1998 1999 2000 2001 2002 30 99 peugeot 306 k to n registration petrol diesel workshop service repair manual 1993 1995 searchable printable ipad ready pd

peugeot 306 owner s and service manuals online - Jan 08 2023

web home manufacturers peugeot 306 peugeot 306 owner s and service manuals online download pdf peugeot 306 owner s manuals and service manuals for online browsing and download search through 11030 peugeot manuals online for free carmanualsonline info is the largest free online database of peugeot user manuals

peugeot 306 1993 1995 haynes service repair manual - Apr 30 2022

web peugeot 306 workshop manual for repair and maintenance of peugeot 306 equipped with gasoline 4 cylinder engines with a working volume of 1 1 1 4 1 6 1 8 2 0 liters with one and two camshafts as well as diesel 4 cylinder engines with and without turbo with a displacement of 1 8 1 9 liters

peugeot 306 repair manuals guides parts list service info - Sep 04 2022

web peugeot 306 petrol diesel full service repair manual complete factory service repair workshop manual no extra fees no expiry dates service repair workshop manual available for instant download to your computer tablet or smart phone this professional manual covers all repairs servicing

peugeot 306 service manual pdf pdf manual transmission - Feb 09 2023

web manual pdf 93 02 peugeot 306 service manual pdf click here would like to know including customer service numbers repair information and product return policies peugeot 306 workshop manual free download repair manual pdf ebooks free download by readers digest sep 26 to find peugeot 306 engine service

peugeot 306 1993 1996 workshop manual pdf - Aug 03 2022

web peugeot 306 1993 1996 workshop manual pdf changing spark plugs brake fluids oil changes engine rebuilds electrical faults and much more detailed illustrations drawings

peugeot 306 service repair manual peugeot 306 pdf downloads motor era - May 12 2023

web motor era offers service repair manuals for your peugeot 306 download your manual now peugeot 306 service repair manuals complete list of peugeot 306 auto service repair manuals peugeot 306 1993 1999 workshop service manual peugeot 306 1993 1995 service manual repair manual

car peugeot 306 workshop repair and service manuals user - Nov 06 2022

web car peugeot 306 workshop repair and service manuals user guides and owners manuals download free 8 45 mb electrical wiring diagrams for peugeot 306 phase 1 format jpg

peugeot workshop and owners manuals free car repair manuals - Dec 27 2021

web peugeot workshop repair manuals owners manuals and other free downloads please select your peugeot vehicle below
1007 104 106 107 108 2008 204 205 206 207 208 3008 301 304 305 306 307 308 309 4007 4008 404 405 406 407 5008 504
505 508 604 605 607 806 807 bipper bipper tepee boxer expert expert tepee ion j5 partner partner tepee rcz

peugeot 306 automotive repair manuals total car diagnostics - Jan 28 2022

web peugeot 306 1993 1995 service repair workshop manual peugeot 306 1993 1995 workshop service repair manual
peugeot 306 1993 1995 workshop repair service manual pdf peugeot 306 1993 repair service manual peugeot 306 1993 1995
best service repair manual pdf peugeot 306 1993 1995 repair service manual peugeot

peugeot 306 repair service manuals 21 pdf s - Aug 15 2023

web peugeot 306 service manual for roadside repairs peugeot 306 owners manual covering weekly checks peugeot 306
workshop manual covering lubricants fluids and tyre pressures peugeot 306 service pdf s covering routine maintenance and
servicing detailed peugeot 306 engine and associated service systems for repairs and

peugeot 306 repair manual mecatechnic - Oct 05 2022

web peugeot 306 repair manual discover our selection of products from the range peugeot 306 repair manual for your
passion car at the best price

peugeot 306 workshop repair and service manual ca000440 - Feb 26 2022

web this peugeot 306 workshop repair and service manual ca000440 covers detailed job instructions mechanical and
electrical faults technical modifications wiring diagrams service guides technical bulletins and more it is an ideal product for
garage owners service repairers mot testers parts advisers collectors and diy enthusiasts this manual is

peugeot 306 1993 2002 service and repair manuals tmb - Jul 02 2022

web this bucheli repair manual for the peugeot 306 covers in detail the petrol and diesel engines removal refitting crankshaft connecting rods pistons distribution valves oil pump cooling fuel system

[peugeot 306 repair ifixit](#) - Apr 11 2023

web the peugeot 306 is a compact car of the french manufacturer peugeot marketed from 1993 to 2002 1997 to 2002 for the station wagon and 1994 to 2002 for the peugeot 306 troubleshooting repair and service manuals

[peugeot 306 workshop service repair manual download workshop manuals](#) - Dec 07 2022

web peugeot 306 workshop repair manual suitable for professional and d i y service repair maintenance diagnosis wiring diagrams etc covers all aspects of repair in extreme detail with step by step guidance detailed images zoom in

peugeot 306 free workshop and repair manuals - Jun 13 2023

web peugeot 306 workshop repair and owners manuals for all years and models free pdf download for thousands of cars and trucks

peugeot 306 repair service manuals 21 pdf s - Mar 10 2023

web peugeot 306 workshop owners service or repair manuals free no ads

peugeot 306 repair manuals manuals peugeot - Jul 14 2023

web peugeot 205 305 309 405 306 zf 4hp14 automatic transmission repair manual pdf this manual covers 4hp14 automatic transmission a t repairing methods detailed a t removing assembling procedures and information on determining if a transmission needs repairing upon problems

peugeot 306 - Jun 01 2022

web the peugeot 306 is a small family car built by the french car manufacturer peugeot from 1993 to 2002 it replaced the 309 peugeot gave the 306 many updates and aesthetic changes to keep up with the competition and it was replaced by the 307 in 2001 repair manuals 4 add model year document language size pages

how do i get access to answer keys - Jun 02 2022

web answer gizmos answer keys are only available through a paid subscription or customized trial provided by an explorelearning account representative to get in touch with your local representative please contact us online or call us at 866 882 4141 1 434 293 7043

[refraction gizmo explorelearning pdf 11 9 2020 course hero](#) - Oct 06 2022

web 1 4 11 9 2020 refraction gizmo explorelearning 2 4c image c d image d correct answer d image d explanation the angle of refraction is the angle from the light ray in medium 2 to the normal image d therefore shows the greatest angle of refraction as well as the smallest change of direction in the light ray

[get the free basic prism gizmo answer key form pdf filler](#) - Jan 29 2022

web gizmos answer keys are only available through a paid subscription or customized trial provided by an explorelearning account representative to get in touch with your local representative please contact us online or call us at 866 882 4141 1 434 293 7043 which actions caused the amount of refraction to increase

copy of 03 laser reflection gizmo name date student exploration - May 01 2022

web introduction to life science guided notes student exploration laser reflection directions follow the instructions to go through the simulation respond to the questions and prompts in the orange boxes angle of incidence angle of reflection laser law of reflection plane mirror reflection

student exploration refraction full answer key docmerit - Aug 04 2022

web gizmos student exploration refraction full answer key student exploration refraction vocabulary angle of incidence angle of refraction frequency index of refraction medium refraction snell s law tot show more

lesson info for refraction explorelearning gizmos - May 13 2023

web lesson info for refraction determine the angle of refraction for a light beam moving from one medium to another the angle of incidence and each index of refraction can be varied using the tools provided the angle of refraction can be measured and the wavelength and frequency of the waves in each substance can be compared as well

refraction student exorption name kushal patel date 5 5 - Mar 11 2023

web respond to the questions and prompts in the orange boxes angle of incidence angle of refraction frequency index of refraction medium refraction snell s law total internal reflection wave front wavelength wave speed do these before using the gizmo

refraction gizmo explorelearning pdf 1 21 2021 course - Jul 03 2022

web a the angle of refraction stays the same b the angle of refraction decreases c the angle of refraction increases d cannot be determined from the information provided correct answer c the angle of refraction increases explanation when the angle of incidence is 0 no refraction occurs at all so the angle of refraction is zero

laser reflection gizmo answers pdf laser reflection gizmo - Dec 28 2021

web you have to favor to in this proclaim laser reflection gizmo answers launch gizmo laser reflection point a laser at a mirror and compare the angle of the incoming beam to the angle of reflection a protractor can be used to measure the angles of incidence and reflection and the angle of the mirror can be adjusted

explorelearning gizmos math science virtual labs and - Mar 31 2022

web explore hundreds of online stem virtual labs and simulations with lesson materials supporting research based strategies to build deep conceptual understanding in math and science about explorelearning

[gizmos student exploration refraction full answer key](#) - Dec 08 2022

web nov 8 2021 gizmos student exploration refraction full answer key document content and description below student exploration refraction vocabulary angle of incidence angle of refraction frequency index of refraction medium refraction snell s law total internal reflection wave front wavelen gth wave speed last updated 9

[refraction se gizmo answers refracting physics name studocu](#) - Apr 12 2023

web student exploration refraction vocabulary angle of incidence angle of refraction frequency index of refraction medium refraction snell s law total internal reflection wave front wavelength wave speed prior knowledge

[student exploration refraction answer key docx course hero](#) - Sep 05 2022

web gizmos2019a student exploration refraction answer key download student exploration refraction vocabulary angle of incidence angle of refraction frequency index of refraction medium refraction snell s law total internal reflection wave front wavelength wave speed prior knowledge questions do these before using the gizmo

solution refraction gizmo pdf studypool - Feb 10 2023

web student exploration refraction directions follow the instructions to go through the simulation respond to the questions and prompts in the orange boxes vocabulary angle of incidence angle of refraction frequency index of refraction medium refraction snell s law total internal reflection wave front wavelength wave speed prior

gizmos student exploration refraction answers studocu high - Aug 16 2023

web answers to gizmo student exploration refraction grade ten academic science ontario name emmalia miller date student exploration refraction vocabulary angle

[gizmos student exploration refraction full answer key](#) - Jun 14 2023

web nov 8 2021 gizmos student exploration refraction full answer key student exploration refraction vocabulary angle of incidence angle of refraction frequency index of refraction medium refraction snell s law total internal reflection wave front wavelen gth wave speed

[refraction gizmo lesson info explorelearning](#) - Jul 15 2023

web launch gizmo refraction determine the angle of refraction for a light beam moving from one medium to another the angle of incidence and each index of refraction can be varied using the tools provided the angle of refraction can be measured and the wavelength and frequency of the waves in each substance can be compared as well

[explorelearning gizmos](#) - Nov 07 2022

web determine the angle of refraction for a light beam moving from one medium to another the angle of incidence and each index of refraction can be varied using the tools provided the angle of refraction can be measured and the wavelength and frequency of the waves in each substance can be compared as well

[refraction gizmo answer key pdf fill out sign online dochub](#) - Feb 27 2022

web docthub is a perfect editor for modifying your documents online follow this simple instruction to redact basic prism gizmo answer key in pdf format online for free register and log in create a free account set a strong password and proceed with email verification to start managing your forms add a document

gizmos student exploration refraction full answer key - Jan 09 2023

web student exploration refraction vocabulary angle of incidence angle of refraction frequency index of refraction medium refraction snell s law total internal reflection wave front wavelength wave speed prior knowledge questions do these before using the gizmo two runners ran side by side each holding one end of a horizontal