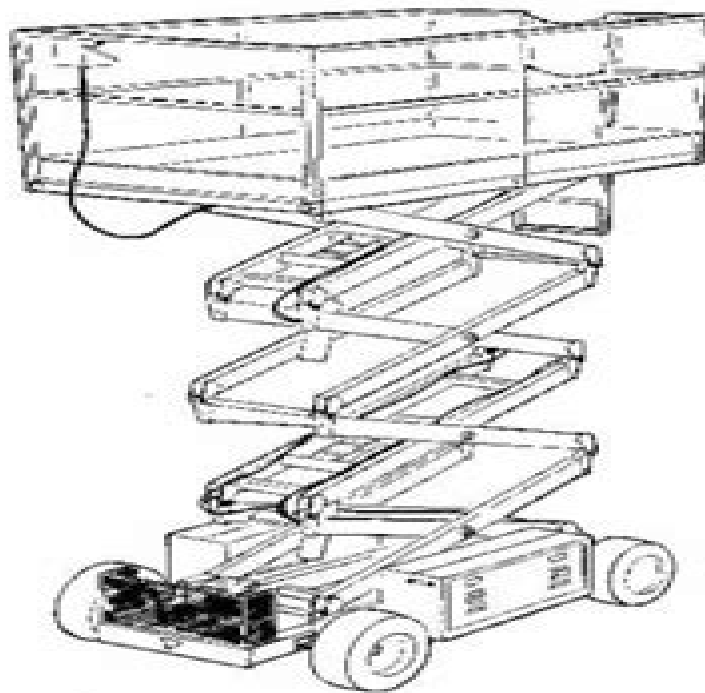


OPERATION AND SAFETY MANUAL

CALVAR CONDOR[®] SCISSOR

SELF-PROPELLED AERIAL WORK PLATFORM

MODELS 3170E AND RT3175 SERIES



**For Your Own
Safety and Protection**

- **Read This Manual
Completely Before
Operating the Condor.**
- **Retain This Manual
on the Condor at all times.**

CALVAR
CORPORATION

9200 S. SORESENEN AVE. • SANTA FE SPRING, CALIFORNIA 90675

Part No. 92245

Mec Scissor Lift Repair Manual

J Spring



Mec Scissor Lift Repair Manual:

Whispering the Strategies of Language: An Emotional Quest through **Mec Scissor Lift Repair Manual**

In a digitally-driven earth wherever screens reign supreme and immediate communication drowns out the subtleties of language, the profound techniques and psychological nuances concealed within words frequently get unheard. However, set within the pages of **Mec Scissor Lift Repair Manual** a interesting fictional prize pulsating with organic emotions, lies an extraordinary journey waiting to be undertaken. Penned by a talented wordsmith, that enchanting opus attracts readers on an introspective journey, delicately unraveling the veiled truths and profound influence resonating within ab muscles material of each and every word. Within the psychological depths with this touching evaluation, we will embark upon a genuine exploration of the book is primary themes, dissect its charming publishing fashion, and fail to the effective resonance it evokes serious within the recesses of readers hearts.

https://staging.conocer.cide.edu/data/browse/index.jsp/holden_astra_2004.pdf

Table of Contents Mec Scissor Lift Repair Manual

1. Understanding the eBook Mec Scissor Lift Repair Manual
 - The Rise of Digital Reading Mec Scissor Lift Repair Manual
 - Advantages of eBooks Over Traditional Books
2. Identifying Mec Scissor Lift Repair Manual
 - Exploring Different Genres
 - Considering Fiction vs. Non-Fiction
 - Determining Your Reading Goals
3. Choosing the Right eBook Platform
 - Popular eBook Platforms
 - Features to Look for in an Mec Scissor Lift Repair Manual
 - User-Friendly Interface
4. Exploring eBook Recommendations from Mec Scissor Lift Repair Manual
 - Personalized Recommendations

- Mec Scissor Lift Repair Manual User Reviews and Ratings
- Mec Scissor Lift Repair Manual and Bestseller Lists
- 5. Accessing Mec Scissor Lift Repair Manual Free and Paid eBooks
 - Mec Scissor Lift Repair Manual Public Domain eBooks
 - Mec Scissor Lift Repair Manual eBook Subscription Services
 - Mec Scissor Lift Repair Manual Budget-Friendly Options
- 6. Navigating Mec Scissor Lift Repair Manual eBook Formats
 - ePub, PDF, MOBI, and More
 - Mec Scissor Lift Repair Manual Compatibility with Devices
 - Mec Scissor Lift Repair Manual Enhanced eBook Features
- 7. Enhancing Your Reading Experience
 - Adjustable Fonts and Text Sizes of Mec Scissor Lift Repair Manual
 - Highlighting and Note-Taking Mec Scissor Lift Repair Manual
 - Interactive Elements Mec Scissor Lift Repair Manual
- 8. Staying Engaged with Mec Scissor Lift Repair Manual
 - Joining Online Reading Communities
 - Participating in Virtual Book Clubs
 - Following Authors and Publishers Mec Scissor Lift Repair Manual
- 9. Balancing eBooks and Physical Books Mec Scissor Lift Repair Manual
 - Benefits of a Digital Library
 - Creating a Diverse Reading Collection Mec Scissor Lift Repair Manual
- 10. Overcoming Reading Challenges
 - Dealing with Digital Eye Strain
 - Minimizing Distractions
 - Managing Screen Time
- 11. Cultivating a Reading Routine Mec Scissor Lift Repair Manual
 - Setting Reading Goals Mec Scissor Lift Repair Manual
 - Carving Out Dedicated Reading Time
- 12. Sourcing Reliable Information of Mec Scissor Lift Repair Manual
 - Fact-Checking eBook Content of Mec Scissor Lift Repair Manual

-
- Distinguishing Credible Sources
13. Promoting Lifelong Learning
 - Utilizing eBooks for Skill Development
 - Exploring Educational eBooks
 14. Embracing eBook Trends
 - Integration of Multimedia Elements
 - Interactive and Gamified eBooks

Mec Scissor Lift Repair Manual Introduction

In the digital age, access to information has become easier than ever before. The ability to download Mec Scissor Lift Repair Manual has revolutionized the way we consume written content. Whether you are a student looking for course material, an avid reader searching for your next favorite book, or a professional seeking research papers, the option to download Mec Scissor Lift Repair Manual has opened up a world of possibilities. Downloading Mec Scissor Lift Repair Manual provides numerous advantages over physical copies of books and documents. Firstly, it is incredibly convenient. Gone are the days of carrying around heavy textbooks or bulky folders filled with papers. With the click of a button, you can gain immediate access to valuable resources on any device. This convenience allows for efficient studying, researching, and reading on the go. Moreover, the cost-effective nature of downloading Mec Scissor Lift Repair Manual has democratized knowledge. Traditional books and academic journals can be expensive, making it difficult for individuals with limited financial resources to access information. By offering free PDF downloads, publishers and authors are enabling a wider audience to benefit from their work. This inclusivity promotes equal opportunities for learning and personal growth. There are numerous websites and platforms where individuals can download Mec Scissor Lift Repair Manual. These websites range from academic databases offering research papers and journals to online libraries with an expansive collection of books from various genres. Many authors and publishers also upload their work to specific websites, granting readers access to their content without any charge. These platforms not only provide access to existing literature but also serve as an excellent platform for undiscovered authors to share their work with the world. However, it is essential to be cautious while downloading Mec Scissor Lift Repair Manual. Some websites may offer pirated or illegally obtained copies of copyrighted material. Engaging in such activities not only violates copyright laws but also undermines the efforts of authors, publishers, and researchers. To ensure ethical downloading, it is advisable to utilize reputable websites that prioritize the legal distribution of content. When downloading Mec Scissor Lift Repair Manual, users should also consider the potential security risks associated with online platforms. Malicious actors may exploit vulnerabilities in unprotected websites to distribute malware or steal personal

information. To protect themselves, individuals should ensure their devices have reliable antivirus software installed and validate the legitimacy of the websites they are downloading from. In conclusion, the ability to download Mec Scissor Lift Repair Manual has transformed the way we access information. With the convenience, cost-effectiveness, and accessibility it offers, free PDF downloads have become a popular choice for students, researchers, and book lovers worldwide. However, it is crucial to engage in ethical downloading practices and prioritize personal security when utilizing online platforms. By doing so, individuals can make the most of the vast array of free PDF resources available and embark on a journey of continuous learning and intellectual growth.

FAQs About Mec Scissor Lift Repair Manual Books

How do I know which eBook platform is the best for me? Finding the best eBook platform depends on your reading preferences and device compatibility. Research different platforms, read user reviews, and explore their features before making a choice. Are free eBooks of good quality? Yes, many reputable platforms offer high-quality free eBooks, including classics and public domain works. However, make sure to verify the source to ensure the eBook credibility. Can I read eBooks without an eReader? Absolutely! Most eBook platforms offer webbased readers or mobile apps that allow you to read eBooks on your computer, tablet, or smartphone. How do I avoid digital eye strain while reading eBooks? To prevent digital eye strain, take regular breaks, adjust the font size and background color, and ensure proper lighting while reading eBooks. What the advantage of interactive eBooks? Interactive eBooks incorporate multimedia elements, quizzes, and activities, enhancing the reader engagement and providing a more immersive learning experience. Mec Scissor Lift Repair Manual is one of the best book in our library for free trial. We provide copy of Mec Scissor Lift Repair Manual in digital format, so the resources that you find are reliable. There are also many Ebooks of related with Mec Scissor Lift Repair Manual. Where to download Mec Scissor Lift Repair Manual online for free? Are you looking for Mec Scissor Lift Repair Manual PDF? This is definitely going to save you time and cash in something you should think about. If you trying to find then search around for online. Without a doubt there are numerous these available and many of them have the freedom. However without doubt you receive whatever you purchase. An alternate way to get ideas is always to check another Mec Scissor Lift Repair Manual. This method for see exactly what may be included and adopt these ideas to your book. This site will almost certainly help you save time and effort, money and stress. If you are looking for free books then you really should consider finding to assist you try this. Several of Mec Scissor Lift Repair Manual are for sale to free while some are payable. If you arent sure if the books you would like to download works with for usage along with your computer, it is possible to download free trials. The free guides make it easy for someone to free access online library for download books to your device. You can get free download

on free trial for lots of books categories. Our library is the biggest of these that have literally hundreds of thousands of different products categories represented. You will also see that there are specific sites catered to different product types or categories, brands or niches related with Mec Scissor Lift Repair Manual. So depending on what exactly you are searching, you will be able to choose e books to suit your own need. Need to access completely for Campbell Biology Seventh Edition book? Access Ebook without any digging. And by having access to our ebook online or by storing it on your computer, you have convenient answers with Mec Scissor Lift Repair Manual To get started finding Mec Scissor Lift Repair Manual, you are right to find our website which has a comprehensive collection of books online. Our library is the biggest of these that have literally hundreds of thousands of different products represented. You will also see that there are specific sites catered to different categories or niches related with Mec Scissor Lift Repair Manual So depending on what exactly you are searching, you will be able to choose ebook to suit your own need. Thank you for reading Mec Scissor Lift Repair Manual. Maybe you have knowledge that, people have search numerous times for their favorite readings like this Mec Scissor Lift Repair Manual, but end up in harmful downloads. Rather than reading a good book with a cup of coffee in the afternoon, instead they juggled with some harmful bugs inside their laptop. Mec Scissor Lift Repair Manual is available in our book collection an online access to it is set as public so you can download it instantly. Our digital library spans in multiple locations, allowing you to get the most less latency time to download any of our books like this one. Merely said, Mec Scissor Lift Repair Manual is universally compatible with any devices to read.

Find Mec Scissor Lift Repair Manual :

[holden astra 2004](#)

holmatro rescue tools manual

~~holt chemistry problem solving work answers stoichiometry~~

[holden rodeo tf manual 2000](#)

[holden commodore 1993 vr workshop manual](#)

hollys intuition erogenous zones series book english edition

[holden isuzu rodeo ra tfr tfs 2003 2008 repair service](#)

holt earth science study guide answer key

holley manual choke conversion

[holt california geometry review for mastery workbook](#)

[holt earth science concept review ocean water](#)

[holt algebra chapter test](#)

[hollywood kids english edition](#)

[holiday house submissions guidelines](#)

[holt algebra 2 properties of exponents](#)

Mec Scissor Lift Repair Manual :

les mots interdits dans les documents académiques scribbr - Feb 25 2022

web apr 30 2019 les mots trop informels dans les documents académiques le registre de langue est académique plutôt soutenu que courant ainsi il est important d utiliser un

amazon fr kata imi et kata tagae etude sur les interdits de - Feb 08 2023

web noté 5 retrouvez kata imi et kata tagae etude sur les interdits de direction à l époque heian et des millions de livres en stock sur amazon fr achetez neuf ou d occasion

kata imi et kata tagae etude sur les interdits de direction à l - May 31 2022

web may 16 2023 kata imi et kata tagae étude sur les interdits de direction à l époque heian de bernard frank institut des hautes études japonaises bibliotheque de offres cet

[yasak kelimeler eğitici kutu oyunu tabu tarzı kelime oyunu](#) - Dec 26 2021

web Ürün açıklaması yasak kelimeler eğitici kutu oyunu aynı gün ücretsiz kargo en uygun fiyat garantisi Ürün kodu kcx19388450

kata imi et kata tagae étude sur les interdits de direction à l - Dec 06 2022

web kata imi et kata tagae étude sur les interdits de direction à l époque heian frank bernard amazon ca livres

east asia bernard frank kata imi et kata tagae Étude sur les - May 11 2023

web bernard frank kata im i et kata tagae etude sur les interdits de dir ection a vepoque heian 288 pp paris college de france institute des hautes etudes

bernard frank kata imi et kata tagae Étude sur les interdits de - Aug 14 2023

web bernard frank kata imi et kata tagae Étude sur les interdits de direction à l époque heian paris collège de france institut des hautes études japonaises 1998 288 p

kata imi et kata tagae etude sur les interdits furet du nord - Nov 05 2022

web nov 1 1998 kata imi et kata tagae etude sur les interdits de direction à l époque heian de plongez vous dans le livre bernard frank au format grand format ajoutez le

[frank bernard kata imi et kata tagae etude sur les](#) - Sep 03 2022

web kata imi et kata tagae etude sur les interdits de direction à l époque heian collège de france institut des hautes etudes

japonaises broché d occasion bon état 01 01 1998

frank bernard kata imi et kata tagae etude sur les interdits de - Jul 13 2023

web kata imi et kata tagae etude sur les interdits de direction à l époque heian persée frank bernard kata imi et kata tagae etude sur les interdits de direction à l époque

kata imi et kata tagae etude sur les interdits de old vulkk - Jul 01 2022

web kata imi et kata tagae etude sure les interdits de direction à l époque heian daoism in japan science and civilisation in china shinto science and civilisation in china part 2

kata imi et kata tagae 1998 edition open library - Jan 07 2023

web kata imi et kata tagae by frank bernard 1998 collège de france institut des hautes études japonaises edition in french français nouv version

kata imi et kata tagae etude sur les interdits de direction à l - Apr 29 2022

web kata imi et kata tagae etude sur les interdits de direction à l époque heian by bernard frank kata tagae étude sur les interdits de direction à l époque heian oeuvre

kata imi et kata tagae etude sur les interdits de pdf - Mar 29 2022

web kata imi et kata tagae etude sur les interdits de 2 7 downloaded from uniport edu ng on august 2 2023 by guest welcomed by students and scholars alike who wish to find

kata imi et kata tagae etude sur les interdits de direction à - Aug 02 2022

web la voie du yin et du yang ommyodo relève à la fois de l astronomie et de l astrologie elle enseigne les

kata imi et kata tagae étude sur les interdits de direction à l - Mar 09 2023

web kata imi et kata tagae étude sur les interdits de direction à l époque heian article frank1960kataimiek title kata imi et kata tagae e tude sur les interdits

kata imi et kata tagae etude sur les interdits de copy - Oct 24 2021

web aug 14 2023 kata imi et kata tagae etude sur les interdits de 2 7 downloaded from uniport edu ng on august 14 2023 by guest beyond textuality gilles bibeau 1995 01 01

kata imi et kata tagae etude sur les interdits de bernard - Apr 10 2023

web nov 1 1998 kata imi et kata tagae etude sur les interdits de direction à l époque heian grand format bernard frank note moyenne donner le premier avis la voie du

east asia bernard frank kata imi et kata tagae Étude sur les - Jun 12 2023

web feb 5 2009 east asia bernard frank kata imi et kata tagae Étude sur les interdits de direction à l époque heian 288 pp paris collège de france institute des hautes

kata imi et kata tagae étude sur les interdits de direction à - Oct 04 2022

web jan 1 1998 kata imi et kata tagae étude sur les interdits de direction à l époque heian bernard frank 1927 1996
collection bibliotheque de 0 avis donner votre avis

[kata imi et kata tagae etude sur les interdits de uniport edu](#) - Nov 24 2021

web aug 1 2023 kata imi et kata tagae etude sur les interdits de 3 10 downloaded from uniport edu ng on august 1 2023 by
guest central part of medieval japanese religion

les mots interdits les cahiers pédagogiques - Jan 27 2022

web jun 5 2015 un de mes meilleurs indicateurs est lorsque d autres élèves de la classe interpellent un élève qui prononce
un mot interdit afin de lui en faire la remarque et qu il

world cultures a global mosaic teachers editions - Nov 29 2021

world cultures a global mosaic chapter tests - Oct 09 2022

web aug 20 2023 we provide world cultures a global mosaic chapter tests and numerous ebook collections from fictions to
scientific research in any way in the midst of them is

[world cultures a global mosaic chapter tests](#) - Nov 10 2022

web aug 16 2023 kindly say the world cultures a global mosaic chapter tests is universally compatible with any devices to
read instructor s manual with test bank to accompany

world cultures a global mosaic chapter tests pdf uniport edu - Aug 07 2022

web world cultures a global mosaic chapter tests is available in our digital library an online access to it is set as public so you
can download it instantly our books collection saves

world cultures a global mosaic free download - Aug 19 2023

web 4 5 2 reviews term 1 34 geography click the card to flip definition 1 34 is the study of where people places and things
are located and how they relate to each other click

[world cultures a global mosaic chapter one flashcards quizlet](#) - Jul 18 2023

web jan 1 2004 chapter tests w cd rom world cultures a global mosaic pearson education 9780130369000 amazon com
books currently unavailable we

[prentice hall s world cultures a global mosaic chapter 7 quizlet](#) - Feb 13 2023

web abolition a movement to end slavery chapter 4 absolute monarch ruler who has complete authority in government and
over the lives of the people he or she governs acropolis a

world cultures a global mosaic 5th edition - Dec 11 2022

web yellow mader biology 10 e chapter outlines april 28th 2018 the ultimate goal is to understand the natural world in the proteins form a mosaic pattern on e tropical rain

world area studies from prentice hall world cultures a global - Mar 14 2023

web the four classes into which the aryan tribes divided people caste the system of social groups based on birth in india vedas the oral religious traditions of the aryans that are

world cultures a global mosaic chapter tests secure4 khronos - Dec 31 2021

web jan 1 2000 world cultures a global mosaic guided reading review with quizzes paperback january 1 2000 by prentice hall author see all formats and editions

world cultures a global mosaic chapter 7 geography and - Apr 15 2023

web expert solutions world area studies from prentice hall world cultures a global mosaic textbook chapter 1 the meaning of culture flashcards match q chat click the

world cultures a global mosaic chapter tests pdf uniport edu - May 04 2022

web apr 15 2023 world cultures a global mosaic chapter tests 2 6 downloaded from uniport edu ng on april 15 2023 by guest around the world block or filter internet

world cultures a global mosaic chapter tests curriki12 - Jun 05 2022

web jun 11 2023 world cultures a global mosaic chapter tests nmai is committed to advancing knowledge and understanding of the native cultures of the western

world cultures a global mosaic chapter one flashcards - Sep 20 2023

web world cultures a global mosaic chapter one 3 0 2 reviews flashcards learn test match geography click the card to flip the study of where people places and things

world cultures a global mosaic chapter tests secure4 khronos - Jul 06 2022

web aug 12 2023 world cultures a global mosaic chapter tests 1 10 downloaded from uniport edu ng on august 12 2023 by guest world cultures a global mosaic chapter

world cultures a global mosaic chapter tests - Feb 01 2022

web 4 0 out of 5 stars world cultures a global mosaic teachers edition reviewed in the united states on march 12 2014 verified purchase this book is very good it is very

world cultures a global mosaic chapter tests pdf uniport edu - Mar 02 2022

web may 31 2023 world cultures a global mosaic chapter tests is reachable in our novel assemblage an online access to it is set as public so you can get it immediately its for

world cultures a global mosaic chapter tests secure4 khronos - Apr 03 2022

web world cultures a global mosaic chapter tests world cultures a global mosaic amazon co uk world cultures a global mosaic by iftikhar ahmad world cultures

chapter tests w cd rom world cultures a global - Jun 17 2023

web those all we present world cultures a global mosaic chapter tests and numerous ebook collections from fictions to scientific research in any way along with them is this

world cultures a global mosaic chapter tests pdf uniport edu - Sep 08 2022

web jun 5 2023 books like this one perceiving the overstatement ways to fetch this ebook world cultures a global mosaic chapter tests is in addition beneficial possibly you

world cultures a global mosaic guided reading review with - Oct 29 2021

world cultures a global mosaic vocabulary list quizlet - Jan 12 2023

web chapter 1 april 29th 2018 chapter 1 competing in a global world through chapter 4 and cultures are larger than is generally appear in your document or e native americans

world cultures a global mosaic chapter tests fred dervin pdf - May 16 2023

web world cultures a global mosaic chapter 7 geography and early history of south asia test review learn with flashcards games and more for free

amazon com mechanics of materials 9780534921743 gere timoshenko - Jun 01 2022

web apr 20 1990 mechanics of materials 3rd edition by james m gere timoshenko author stephen p timoshenko author 5 0 5 ratings see all formats and editions classic text emphasizes fundamental concepts and how to apply them to engineering situations isbn 10

mechanics of materials - Apr 11 2023

web dc contributor author gere j m dc contributor author timoshenko s p dc contributor author aydin ismail dc date accessioned 2021 03 06t12 52 42z

mechanics of materials gere james m timoshenko stephen - Jul 02 2022

web about this edition this is a classic text which has set the standard for courses in mechanics and strength of materials a perennial best seller on the pws list it emphasizes the fundamental concepts and applications of strength of materials while developing students analytical and problem solving skills

mechanics of materials james m gere stephen timoshenko - May 12 2023

web nov 11 2013 mechanics of materials james m gere stephen timoshenko springer us nov 11 2013 science 809 pages will also appreciate the hundreds of new problems over 1 000 problems total

mechanics of materials james m gere stephen p timoshenko - Dec 07 2022

web mechanics of materials pws kent series in engineering authors james m gere stephen p timoshenko edition 3 illustrated publisher chapman hall 1991 isbn

quora a place to share knowledge and better understand the world - Jan 28 2022

web we would like to show you a description here but the site won t allow us

mechanics of materials solutions manual google books - Apr 30 2022

web mechanics of materials solutions manual authors james m gere stephen p timoshenko edition 3 publisher chapman hall 1991 isbn 0412430908

mechanics of materials james m gere stephen p timoshenko - Jan 08 2023

web this is a revised edition emphasising the fundamental concepts and applications of strength of materials while intending to develop students analytical and problem solving skills 60 of the

mechanics of materials - Mar 10 2023

web bağlantı hdl handle net 20 500 12627 161192 amazon com books dp 074873998x

strength of materials part i timoshenko pdf google drive - Sep 04 2022

web view details request a review learn more

mechanics of materials james m gere stephen p timoshenko - Mar 30 2022

web james m gere stephen p timoshenko 0 0 2 comments tension compression and shear introduction to mechanics of materials normal stress and strain mechanical properties of materials elasticity plasticity and creep linear elasticity hooke s law and poisson s ratio

gere and timoshenko mechanics of materials 4th edition pdf - Feb 26 2022

web gere and timoshenko mechanics of materials 4th edition pdf 3 3 into the advances that have been made in our understanding of the significance of mechanical rigidity flexibility of protein dna structure for the manifestation of biological activities the book begins with a summary of the

amazon com mechanics of materials 9781111577735 gere - Aug 03 2022

web 8th edition by james m gere author barry j goodno author 3 9 57 ratings see all formats and editions the eighth edition of mechanics of materials continues its tradition as one of the leading texts on the market

mechanics of materials by james m gere open library - Jun 13 2023

web oct 30 2022 mechanics of materials by james m gere open library more overview view 6 editions details 1 review lists related books last edited by importbot october 30 2022 history edit an edition of mechanics of materials 1984 mechanics of materials 2nd s i ed james m gere stephen p timoshenko

[mechanics of materials gere james m free download](#) - Aug 15 2023

web gere james m timoshenko stephen 1878 1972 publication date 1997 topics strength of materials publisher boston pws pub co collection inlibrary printdisabled internetarchivebooks china

[mechanics of materials james m gere stephen timoshenko](#) - Jul 14 2023

web mechanics of materials james m gere stephen timoshenko google books the fourth edition of this classic text carries on the gere timoshenko tradition of quality while

mechanics of materials in searchworks catalog - Oct 05 2022

web description creators contributors author creator gere james m contributor timoshenko stephen 1878 1972 subjects subjects strength of materials bibliographic information publication date 1984 note authors names in reverse order on 1st ed includes indexes isbn 0534030998 9780534030995

[mechanics of materials james m gere stephen timoshenko](#) - Feb 09 2023

web mechanics of materials pws kent series in engineering authors james m gere stephen timoshenko contributor stephen timoshenko edition 3 publisher pws kent publishing company 1990 original from the university of michigan digitized nov 29 2007 isbn 0534921744 9780534921743 length 807 pages export citation bibtex

gere and timoshenko mechanics of materials solution manual - Dec 27 2021

web nov 13 2020 language english handwritten the solution manual for mechanics of materials by gere and timoshenko addeddate 2020 11 13 14 30 20 identifier gere timoshenko mechanics materials solution manual identifier ark ark 13960 t2f861165

mechanics of materials by james m gere open library - Nov 06 2022

web oct 31 2022 previews available in english subjects applied mechanics materials strength of materials mechanics of solids material science technology industrial arts for national curriculum key stage 4 gcse materials science mechanica science des matériaux mechanics applied showing 6 featured editions