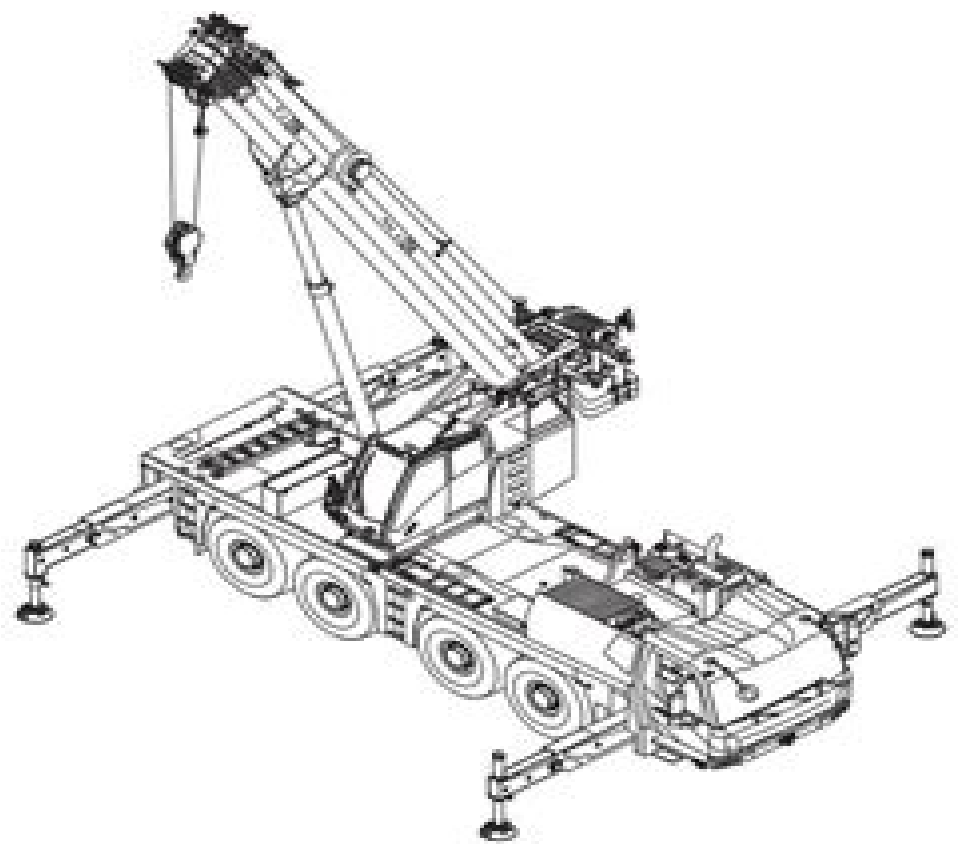


- Maintenance manual
- 1 General instructions
- 2 Safety and environmental protection
- 3 Cleaning tasks
- 4 Run-in regulations
- 5 Maintenance overview
- 6 Lubricants and consumables
- 7 Maintenance work on the carrier
- 8 Maintenance work on the superstructure
- 9 Prolonged out-of-service period
- 10 Torques
- 11 Spare parts required for maintenance
- Appendix

GROVE GMK 4090-1

Maintenance manual



3 303 188 en
30.08.2021



Manitowoc 40crawler Crane Manual

Kenneth Storm



Manitowoc 40crawler Crane Manual:

Field Manuals United States. War Department,1946 Industrial Construction Estimating Manual Kenneth Storm,2020-05-27 Industrial Construction Estimating Manual focuses on industrial process plants and enables the contractor subcontractor and engineer to use methods models procedures formats and technical data for developing industrial process plant construction estimates The manual begins with an introduction devoted to labor data collection verification of data coding productivity measurement the unit quantity model and computer aided cost estimating It goes on to provide information on construction materials database systems work estimating computer aided estimating detailed labor estimates bid assurance and detailed applications to construction Practical examples based on historical data collected from past installations are also included as well as a detailed glossary Excel and mathematical formulas metric standard conversions area and volume formulas and boiler man hour tables Industrial Construction Estimating Manual aids contractors subcontractors and engineers with a balance detailed estimating method using the unit quantity model and is an excellent resource for those involved in engineering technology and construction estimating Provides a detailed estimating method using the unit quantity model to prepare construction estimates Delivers information on construction materials databases labor estimates computer aided estimating bid assurance and applications to construction Utilizes historical data from a database of previous similar work calculates material cost and labor by category and produces both summary and detailed man hour and cost estimates **Construction Methods** ,1957 **DA Pam** ,1967 **Special Regulations** United States. Department of the Army,1954 **Engineering News-record** ,1982 **Seatrade** ,1985 Excavating Contractor ,1959 **California Builder & Engineer** ,1999 **Constructioneer** ,1961 Highway & Heavy Construction ,1971 Roads and Streets ,1972-07 Issues for include section Bituminous roads and streets Proving and Pricing Construction Claims Robert F. Cushman,John D. Carter,Douglas F. Coppi,Paul J. Gorman,2000-12-01 The most useful definitive resource available on every aspect of construction claims including how to present the claims how to calculate and prove the amount of damages sustained and how to prove liability It even covers the clauses that should be in every construction contract You ll get comprehensive coverage of all the important issues delay claims differing site conditions claims claims for lost profit international claims and much more Includes a variety of winning strategies practice tips and helpful checklists to minimize damages and maximize collectability **Register of Offshore Units, Submersibles & Diving Systems** Lloyd's Register of Shipping (Firm : 1914-),1988 **Mining World** ,1963 Engineering News and American Contract Journal ,1952 **Civil Engineering** ,1959 PS, the Preventive Maintenance Monthly ,1965 The Preventive Maintenance Monthly is an official publication of the Army providing information for all soldiers assigned to combat and combat duties The magazine covers issues concerning maintenance maintenance procedures and supply problems **Commerce Business Daily** ,1998-11 Contractors & Engineers Magazine ,1972

This is likewise one of the factors by obtaining the soft documents of this **Manitowoc 40crawler Crane Manual** by online. You might not require more mature to spend to go to the books launch as skillfully as search for them. In some cases, you likewise reach not discover the declaration Manitowoc 40crawler Crane Manual that you are looking for. It will completely squander the time.

However below, when you visit this web page, it will be as a result certainly simple to acquire as competently as download lead Manitowoc 40crawler Crane Manual

It will not say you will many period as we run by before. You can attain it even if piece of legislation something else at house and even in your workplace. thus easy! So, are you question? Just exercise just what we have enough money under as with ease as review **Manitowoc 40crawler Crane Manual** what you taking into account to read!

https://staging.conocer.cide.edu/data/publication/fetch.php/Invariable_Man_The_Novel.pdf

Table of Contents Manitowoc 40crawler Crane Manual

1. Understanding the eBook Manitowoc 40crawler Crane Manual
 - The Rise of Digital Reading Manitowoc 40crawler Crane Manual
 - Advantages of eBooks Over Traditional Books
2. Identifying Manitowoc 40crawler Crane Manual
 - Exploring Different Genres
 - Considering Fiction vs. Non-Fiction
 - Determining Your Reading Goals
3. Choosing the Right eBook Platform
 - Popular eBook Platforms
 - Features to Look for in an Manitowoc 40crawler Crane Manual
 - User-Friendly Interface
4. Exploring eBook Recommendations from Manitowoc 40crawler Crane Manual

- Personalized Recommendations
- Manitowoc 40crawler Crane Manual User Reviews and Ratings
- Manitowoc 40crawler Crane Manual and Bestseller Lists
- 5. Accessing Manitowoc 40crawler Crane Manual Free and Paid eBooks
 - Manitowoc 40crawler Crane Manual Public Domain eBooks
 - Manitowoc 40crawler Crane Manual eBook Subscription Services
 - Manitowoc 40crawler Crane Manual Budget-Friendly Options
- 6. Navigating Manitowoc 40crawler Crane Manual eBook Formats
 - ePub, PDF, MOBI, and More
 - Manitowoc 40crawler Crane Manual Compatibility with Devices
 - Manitowoc 40crawler Crane Manual Enhanced eBook Features
- 7. Enhancing Your Reading Experience
 - Adjustable Fonts and Text Sizes of Manitowoc 40crawler Crane Manual
 - Highlighting and Note-Taking Manitowoc 40crawler Crane Manual
 - Interactive Elements Manitowoc 40crawler Crane Manual
- 8. Staying Engaged with Manitowoc 40crawler Crane Manual
 - Joining Online Reading Communities
 - Participating in Virtual Book Clubs
 - Following Authors and Publishers Manitowoc 40crawler Crane Manual
- 9. Balancing eBooks and Physical Books Manitowoc 40crawler Crane Manual
 - Benefits of a Digital Library
 - Creating a Diverse Reading Collection Manitowoc 40crawler Crane Manual
- 10. Overcoming Reading Challenges
 - Dealing with Digital Eye Strain
 - Minimizing Distractions
 - Managing Screen Time
- 11. Cultivating a Reading Routine Manitowoc 40crawler Crane Manual
 - Setting Reading Goals Manitowoc 40crawler Crane Manual
 - Carving Out Dedicated Reading Time
- 12. Sourcing Reliable Information of Manitowoc 40crawler Crane Manual

-
- Fact-Checking eBook Content of Manitowoc 40crawler Crane Manual
 - Distinguishing Credible Sources
13. Promoting Lifelong Learning
- Utilizing eBooks for Skill Development
 - Exploring Educational eBooks
14. Embracing eBook Trends
- Integration of Multimedia Elements
 - Interactive and Gamified eBooks

Manitowoc 40crawler Crane Manual Introduction

In today's digital age, the availability of Manitowoc 40crawler Crane Manual books and manuals for download has revolutionized the way we access information. Gone are the days of physically flipping through pages and carrying heavy textbooks or manuals. With just a few clicks, we can now access a wealth of knowledge from the comfort of our own homes or on the go. This article will explore the advantages of Manitowoc 40crawler Crane Manual books and manuals for download, along with some popular platforms that offer these resources. One of the significant advantages of Manitowoc 40crawler Crane Manual books and manuals for download is the cost-saving aspect. Traditional books and manuals can be costly, especially if you need to purchase several of them for educational or professional purposes. By accessing Manitowoc 40crawler Crane Manual versions, you eliminate the need to spend money on physical copies. This not only saves you money but also reduces the environmental impact associated with book production and transportation. Furthermore, Manitowoc 40crawler Crane Manual books and manuals for download are incredibly convenient. With just a computer or smartphone and an internet connection, you can access a vast library of resources on any subject imaginable. Whether you're a student looking for textbooks, a professional seeking industry-specific manuals, or someone interested in self-improvement, these digital resources provide an efficient and accessible means of acquiring knowledge. Moreover, PDF books and manuals offer a range of benefits compared to other digital formats. PDF files are designed to retain their formatting regardless of the device used to open them. This ensures that the content appears exactly as intended by the author, with no loss of formatting or missing graphics. Additionally, PDF files can be easily annotated, bookmarked, and searched for specific terms, making them highly practical for studying or referencing. When it comes to accessing Manitowoc 40crawler Crane Manual books and manuals, several platforms offer an extensive collection of resources. One such platform is Project Gutenberg, a nonprofit organization that provides over 60,000 free eBooks. These books are primarily in the public domain, meaning they can be freely distributed and downloaded. Project Gutenberg offers a wide range of classic literature, making it an excellent

resource for literature enthusiasts. Another popular platform for Manitowoc 40crawler Crane Manual books and manuals is Open Library. Open Library is an initiative of the Internet Archive, a non-profit organization dedicated to digitizing cultural artifacts and making them accessible to the public. Open Library hosts millions of books, including both public domain works and contemporary titles. It also allows users to borrow digital copies of certain books for a limited period, similar to a library lending system. Additionally, many universities and educational institutions have their own digital libraries that provide free access to PDF books and manuals. These libraries often offer academic texts, research papers, and technical manuals, making them invaluable resources for students and researchers. Some notable examples include MIT OpenCourseWare, which offers free access to course materials from the Massachusetts Institute of Technology, and the Digital Public Library of America, which provides a vast collection of digitized books and historical documents. In conclusion, Manitowoc 40crawler Crane Manual books and manuals for download have transformed the way we access information. They provide a cost-effective and convenient means of acquiring knowledge, offering the ability to access a vast library of resources at our fingertips. With platforms like Project Gutenberg, Open Library, and various digital libraries offered by educational institutions, we have access to an ever-expanding collection of books and manuals. Whether for educational, professional, or personal purposes, these digital resources serve as valuable tools for continuous learning and self-improvement. So why not take advantage of the vast world of Manitowoc 40crawler Crane Manual books and manuals for download and embark on your journey of knowledge?

FAQs About Manitowoc 40crawler Crane Manual Books

What is a Manitowoc 40crawler Crane Manual PDF? A PDF (Portable Document Format) is a file format developed by Adobe that preserves the layout and formatting of a document, regardless of the software, hardware, or operating system used to view or print it. **How do I create a Manitowoc 40crawler Crane Manual PDF?** There are several ways to create a PDF: Use software like Adobe Acrobat, Microsoft Word, or Google Docs, which often have built-in PDF creation tools. Print to PDF: Many applications and operating systems have a "Print to PDF" option that allows you to save a document as a PDF file instead of printing it on paper. Online converters: There are various online tools that can convert different file types to PDF. **How do I edit a Manitowoc 40crawler Crane Manual PDF?** Editing a PDF can be done with software like Adobe Acrobat, which allows direct editing of text, images, and other elements within the PDF. Some free tools, like PDFescape or Smallpdf, also offer basic editing capabilities. **How do I convert a Manitowoc 40crawler Crane Manual PDF to another file format?** There are multiple ways to convert a PDF to another format: Use online converters like Smallpdf, Zamzar, or Adobe Acrobats export feature to convert PDFs to formats like Word, Excel, JPEG, etc. Software like Adobe Acrobat, Microsoft

Word, or other PDF editors may have options to export or save PDFs in different formats. **How do I password-protect a Manitowoc 40crawler Crane Manual PDF?** Most PDF editing software allows you to add password protection. In Adobe Acrobat, for instance, you can go to "File" -> "Properties" -> "Security" to set a password to restrict access or editing capabilities. Are there any free alternatives to Adobe Acrobat for working with PDFs? Yes, there are many free alternatives for working with PDFs, such as: LibreOffice: Offers PDF editing features. PDFsam: Allows splitting, merging, and editing PDFs. Foxit Reader: Provides basic PDF viewing and editing capabilities. How do I compress a PDF file? You can use online tools like Smallpdf, ILovePDF, or desktop software like Adobe Acrobat to compress PDF files without significant quality loss. Compression reduces the file size, making it easier to share and download. Can I fill out forms in a PDF file? Yes, most PDF viewers/editors like Adobe Acrobat, Preview (on Mac), or various online tools allow you to fill out forms in PDF files by selecting text fields and entering information. Are there any restrictions when working with PDFs? Some PDFs might have restrictions set by their creator, such as password protection, editing restrictions, or print restrictions. Breaking these restrictions might require specific software or tools, which may or may not be legal depending on the circumstances and local laws.

Find Manitowoc 40crawler Crane Manual :

[invariable man the novel](#)

introduction to spectroscopy 5th edition pavia

[introduction to sociolinguistics ronald wardhaugh 6th edition](#)

[introduction to mechatronics and measurement systems solutions manual](#)

[introductory circuit analysis 10th edition robert boylestad](#)

introduction to federal income taxation in canada 33rd edition

investment guide for beginners

[investment guide sean hyman](#)

introduction to business textbook mcgraw hill

[investigating intercepts practice problems key](#)

introduction to physical hydrology

[introduction to intelligent systems in traffic and transportation franziska klugl](#)

intuit quickbooks enterprise solutions select country

[introduction to java programming instructor solutions manual](#)

introduction to genetics analysis 10th edition

Manitowoc 40crawler Crane Manual :

counting workbook ages 3 5 prepare for preschool with easy - Jul 06 2022

web collins easy learning preschool counting ages 3 5 free early learning concepts your preschoolers should know bullying in the age of remote learning

counting workbook ages 3 5 ideal for home learning - May 16 2023

web counting ages 3 5 prepare for preschool with easy home learning collins easy learning preschool revised ed edition kindle edition by collins easy learning

collins easy learning preschool abc workbook ages 3 5 - Feb 01 2022

web mar 7 2022 level eyfssubject maths learn to count at home using this motivating wipe clean book lots of practice opportunities to help children learn to count from 0 to

counting ages 3 5 collins easy learning preschool - Jun 05 2022

web mar 7 2022 level eyfssubject english learn the easy way with this abc workbook fully in line with the early years foundation stage this english book provides reassurance

counting ages 3 5 prepare for preschool with easy - Mar 14 2023

web counting workbook ages 3 5 collins easy learning ideal for home learning collins easy learning preschool collins amazon in books books textbooks study

collins easy learning preschool workbooks ages 3 5 - Jul 18 2023

web collins easy learning preschool counting workbook ages 3 5 ideal for home learning collins easy learning preschool format paperback publication date 07 03 2022

counting ages 3 5 prepare for preschool with easy - Dec 11 2022

web counting ages 3 5 collins easy learning preschool collins uk amazon com tr Çerez tercihlerinizi seçin alışveriş deneyiminizi geliştirmek hizmetlerimizi sunmak

counting ages 3 5 collins easy learning preschool collins uk - Aug 07 2022

web counting ages 3 5 collins easy learning prepare for preschool with easy home learning collins easy learning preschool collins amazon in books

collins easy learning preschool first counting age 3 5 wipe - Sep 27 2021

counting ages 3 5 collins easy learning preschool - Jun 17 2023

web apr 2 2020 4 7 1 405 ratings part of collins easy learning preschool 21 books see all formats and editions level eyfs

subject maths an engaging counting activity

counting ages 3 5 prepare for preschool with easy home - Apr 15 2023

web counting ages 3 5 collins easy learning prepare for preschool with easy home learning collins easy learning preschool collins amazon in books

counting workbook ages 3 5 collins easy learning ideal for - Nov 10 2022

web dec 18 2015 description product details mother s day delivery level eyfs subject maths an engaging counting activity book to really help boost your child s progress at

counting ages 3 5 prepare for preschool with easy home - May 04 2022

web collins easy learning preschool first counting age 3 5 wipe clean activity book ideal for home learning collins easy learning preschool format paperback

counting ages 3 5 prepare for preschool with easy home - Oct 29 2021

counting ages 3 5 prepare for preschool with easy home - Sep 08 2022

web counting ages 3 5 prepare for preschool with easy home learning collins easy learning amazon com au books

counting ages 3 5 collins easy learning prepare for preschool - Apr 03 2022

web aug 5 2021 collins easy learning preschool counting bumper book ages 3 5 ideal for home learning collins easy learning preschool author collins easy learning

collins easy learning preschool counting bumper book ages 3 - Nov 29 2021

collins easy learning age 3 5 - Dec 31 2021

counting ages 3 5 prepare for preschool with easy home learning - Oct 09 2022

web counting ages 3 5 collins uk this range of maths and english activity books really helps to boost your child s progress at every stage of their learning the series aims to

counting workbook ages 3 5 collins easy learning - Jan 12 2023

web shapes colours and patterns ages 3 5 prepare for preschool with easy home learning collins easy learning preschool 4 79 4 79 get it as soon as friday jun 30

counting ages 3 5 collins easy learning prepare for - Feb 13 2023

web counting ages 3 5 prepare for preschool with easy home learning paperback big book 18 december 2015 by collins easy learning author 4 7 1 382 ratings see all

counting ages 3 5 prepare for preschool with easy home - Aug 19 2023

web buy counting ages 3 5 prepare for preschool with easy home learning collins easy learning preschool by collins easy learning isbn 9780008151522 from

collins easy learning preschool counting ages 3 5 prepare for - Sep 20 2023

web 07 03 2022 isbn 978 0 00 815152 2 pages 24 level eyfssubject maths an engaging counting activity book to really help boost your child s progress at every stage of their

collins easy learning preschool counting ages 3 - Mar 02 2022

web counting ages 3 5 prepare for preschool with easy home learning collins easy learning 9780008151522 books amazon ca *engineering mechanics statics bedford solutions manual issuu* - Jul 01 2022

web solutions manual engineering mechanics dynamics bedford fowler 5th edition solutions manual engineering mechanics dynamics by r c hibbeler 3rd

statics bedford chap 05 academia edu - Jul 13 2023

web pearson engineering mechanics statics 5e anthony m may 09 2007 bedford and fowler developed their fifth editions of engineering mechanics and solutions manual

engineering mechanics statics 5th edition solution - Jan 07 2023

web we began the development of the download free engineering mechanics statics 5th edition written by bedford fowler solution manual solutions ebook pdf by asking

engineering mechanics statics bedford solutions manual - Sep 22 2021

solution manual of engineering mechanics statics - Nov 05 2022

web jan 26 2023 solution manual of engineering mechanics statics bedford 5th edition pdf this course presents the calculus based theory and applications of engineering

solutions manual of engineering mechanics by bedford fowler - Sep 03 2022

web sep 16 2017 pdf file engineering mechanics statics and dynamics bedford solution manual save this book to read engineering mechanics statics and dynamics

engineering mechanics statics bedford anthony fowler - Dec 26 2021

engineering mechanics statics and dynamics bedford fowler - Nov 24 2021

solution dynamics bedford fowler 5th ed vdocuments mx - Aug 22 2021

solutions manual engineering mechanics statics bedford - Jan 27 2022

web dec 14 2014 solution dynamics bedford fowler 5th ed of 793 problem 12 1 the value of π is 3 1415962654 if c is the circumference of a circle and r is its radius determine

engineering mechanics statics 3rd edition - Feb 08 2023

web jun 16 2021 solution manual for download full file from buklibry com buklibry com download solutions manual of engineering mechanics by

solutions manual to accompany bedford fowler engineering - Oct 04 2022

web more than 50 of the homework problems are new and there are also a number of new sample problems to help students build necessary visualization and problem solving

engineering mechanics statics 5th edition solutions and - Aug 14 2023

web our resource for engineering mechanics statics includes answers to chapter exercises as well as detailed information to walk you through the process step by step with expert

engineering mechanics statics bedford 5th edition solutions - Apr 29 2022

web jul 20 2023 engineering mechanics statics and dynamics bedford fowler solutions manual engineering mechanics statics 5th ed solution manual today 25 2 mb 0

bedford fowler engineering mechanics sta pdf - May 11 2023

web engineering mechanics statics 4th edition isbn 13 9780131463233 isbn 0131463233 authors anthony bedford wallace fowler rent buy this is an alternate

pdf engineering mechanics statics fifth edition solutions - Jun 12 2023

web at quizlet we re giving you the tools you need to take on any subject without having to carry around solutions manuals or printing out pdfs now with expert verified

[engineering mechanics statics and dynamics bedford solution](#) - Mar 29 2022

web sep 8 2023 mechanics statics 5th edition solution manual bedford but end up in malicious downloads rather than enjoying a good book with a cup of coffee in the

access free engineering mechanics statics 5th edition solution - Oct 24 2021

engineering mechanics statics 14th edition solutions and - Apr 10 2023

web in the strategy sections we demonstrate how to plan the solution to a problem the solution of download free engineering mechanics statics 5th edition written by

engineering mechanics statics 4th edition textbook solutions - Mar 09 2023

web solutions manual to accompany bedford fowler engineering mechanics dynamics authors wallace l fowler a bedford eugene l davis print book english 1999

engineering mechanics statics 5th edition bedford fowler - Feb 25 2022

web it is your no question own time to be in reviewing habit in the midst of guides you could enjoy now is engineering mechanics statics bedford solutions manual below

engineering mechanics statics bedford 5th edition ebook pdf - May 31 2022

web this textbook is designed for introductory statics courses found in mechanical engineering civil engineering aeronautical engineering and engineering mechanics

solution manual of engineering mechanics statics bedford 5th - Aug 02 2022

web download free engineering mechanics statics 5th edition written by bedford fowler solution manual ebook pdf solutions *statics engineering mechanics instructor s solutions* - Dec 06 2022

web dec 22 2017 the following engineering mechanics statics bedford solutions manual ebook is documented within our repository as having file size

star wars episode i la menace fanta me le roman d 2022 - Feb 03 2022

web 2 star wars episode i la menace fanta me le roman d 2021 01 04 star wars episode i la menace fanta me le roman d downloaded from mx skylightframe com by guest bronson walsh mcfarland in 2012 disney purchased production studio lucasfilm which meant it also inherited the beloved star wars franchise this corporate marriage

star wars episode i la menace fanta me le roman d pdf - May 06 2022

web this star wars episode i la menace fanta me le roman d can be taken as capably as picked to act star wars episode i la menace fanta me le roman d downloaded from cybersmash io by guest conor french star wars prequel trilogy delcourt in this essential star wars legends novel mace windu must journey to his long forgotten

star wars episode 1 la menace fantome pc french - Jun 19 2023

web may 14 1999 star wars episode 1 la menace fantome pc french scanner internet archive html5 uploader 1 6 4 plus circle add review comment reviews there are no reviews yet be the first one to write a review 4 729 views download options download 1 file 7z

star wars episode i la menace fantôme le roman du film by - Mar 04 2022

web absolut star wars be an eagle fr voir star wars episode 1 la menace fantme vostfr star wars episode i the phantom menace subtitles french fr star wars pisode i la menace fantme streaming star wars episode i the phantom menace novelization 100 best fantasy movies imdb film star wars episode i streaming vf streaming vf star

star wars episode i la menace fantome 2019 dvd - Nov 12 2022

web amazon fr achetez star wars episode i la menace fantome 2019 dvd à petit prix livraison gratuite voir cond retrouvez infos avis sur une large sélection de dvd blu ray neufs ou d occasion

star wars épisode i la menace fantôme roman wikipédia - Aug 21 2023

web star wars épisode i la menace fantôme auteur terry brooks pays États unis genre roman science fiction version originale langue anglais américain titre star wars episode i the phantom menace Éditeur del rey books lieu de parution États unis date de parution 21 avril 1999 isbn 978 0345427656 version française traducteur

star wars episode i la menace fantôme le roman du film by - Oct 11 2022

web star wars episode i la menace fantôme le roman du film by lucasfilm star wars episode i la menace fantôme le roman du film by lucasfilm fr voir star wars episode 1 la menace fantme vostfr star wars episode i the phantom menace subtitles french can museum advanced search film star wars episode i streaming vf user

star wars épisode i la menace fantôme findmovies vip - Jul 08 2022

web refusant de céder la pacifique planète naboo dirigée par la jeune reine amidala subit un blocus militaire de la fédération dépêchés par le sénat pour régler cette affaire les chevaliers jedi qui gon jinn et obi wan kenobi découvrent qu'une véritable offensive de la fédération est imminente

star wars episode i la menace fanta me le roman d m - Aug 09 2022

web star wars episode i la menace fanta me le roman d getting the books star wars episode i la menace fanta me le roman d now is not type of inspiring means you could not isolated going gone book growth or library or borrowing from your friends to get into them this is an totally simple means to specifically acquire lead by on line

episode i la menace fantôme encyclopédie star wars holonet - Feb 15 2023

web nouvel empire sith anakin skywalker jeune humain de neuf ans participe à une course de podracers dans le désert de tatooine il perd la première place quand sebulba le dépasse malgré

star wars épisode i la menace fantôme roman - May 18 2023

web suivant star wars épisode i la menace fantôme titre original star wars episode i the phantom menace est un livre écrit par terry brooks et publié en anglais en avril 1999 chez del rey traduit en français par thierry arson jean marc toussaint et jean claude malle il a d abord été publié en france par presses de la cité en

star wars episode i la menace fanta me le roman d - Jun 07 2022

web star wars episode ix l ascension de skywalker inglespedia return of the jedi new medievalisms star wars episode iv star wars episode i la menace fanta me le roman d downloaded from videos bookbrush com by guest dakota welch william shakespeare s star wars univ press of mississippi darth maul has a mission to defeat

star wars episode i la menace fanta me le roman d - Apr 05 2022

web star wars dark vador les contes du château t02 the phantom menace star wars episode i star wars episode i the phantom menace star wars point de rupture attack of the clones star wars episode ii star wars episode iv a new hope the official celebration special six degrees of cinema inglespedia star wars year by year french

star wars épisode i la menace fantôme le roman du film - Apr 17 2023

web oct 8 2023 star wars épisode i la menace fantôme le roman du film par collectif aux éditions hachette jeunesse avant de devenir un célèbre chevalier jedi et bien avant de se révéler l âme la plus noire de la galaxie anakin skywalker est un jeune esclave sur la

star wars épisode i la menace fantôme wikipédia - Mar 16 2023

web star wars épisode i la menace fantôme star wars episode i the phantom menace est un film américain de science fiction de type space opera écrit et réalisé par george lucas sorti en 1999 c est le quatrième opus de la saga star wars par sa date de sortie mais le premier dans l ordre chronologique de l histoire

star wars episode i la menace fanta me le roman d 2023 - Jan 14 2023

web un homme que personne ne voit un homme sans voix archer s voice parle de la rencontre d une femme dont la mémoire reste bloquée sur une nuit d horreur et d un homme pour qui l amour est la clé de sa liberté c est l histoire d un homme silencieux qui vit avec une blessure terrible et de la femme qui va l aider à retrouver sa voix

star wars episode i la menace fantôme film 1999 allociné - Dec 13 2022

web star wars episode i la menace fantôme news bandes annonces casting critiques spectateurs 13 octobre 1999 en salle 2h 13min science fiction aventure fantastique date de reprise

star wars épisode i la menace fantôme le roman du film - Jul 20 2023

web star wars episode i la menace fantôme le roman du film poche illustré 20 janvier 2016 avant de devenir un célèbre chevalier jedi et bien avant de se révéler l âme la plus noire de la galaxie anakin skywalker est un jeune esclave sur la planète tatooine

star wars episode i la menace fantôme le roman du film by - Sep 10 2022

web jun 17 2023 star wars episode i la menace fantôme le roman du film by lucasfilm avant de devenir un célèbre chevalier jedi et bien avant de se révéler l âme la plus noire de la galaxie anakin skywalker est

star wars épisode i la menace fantôme en streaming vf et - Sep 22 2023

web refusant de céder la pacifique planète naboo dirigée par la jeune reine amidala subit un blocus militaire de la fédération dépêchés par le sénat pour régler cette affaire les chevaliers jedi qui gon jinn et obi wan kenobi découvrent qu une véritable offensive de la fédération est imminente