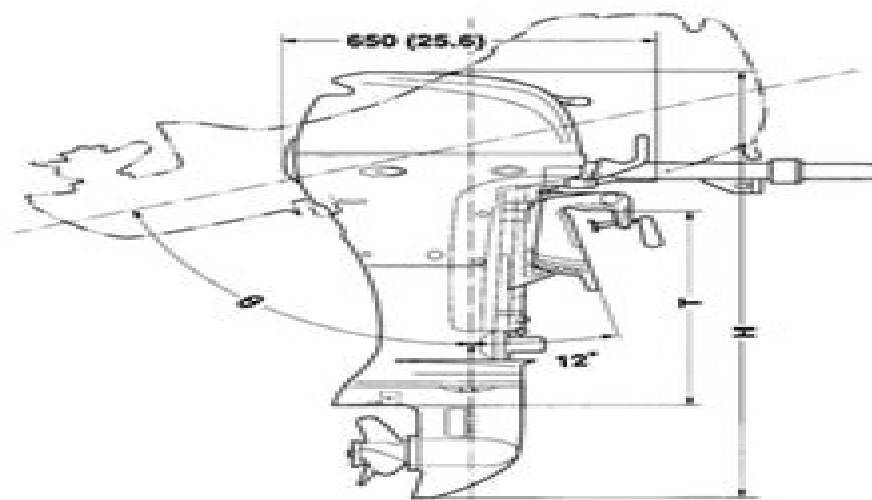
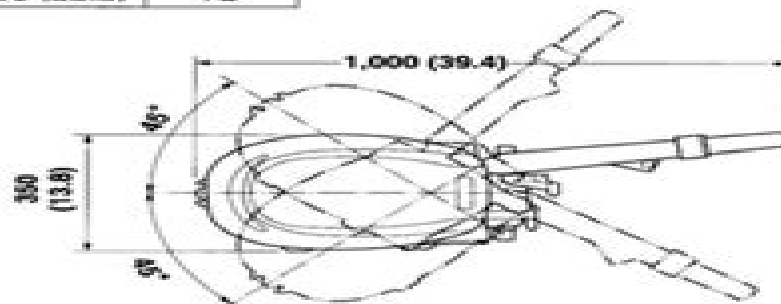


2. DIMENSIONAL DRAWINGS

- Tiller Handle Type

[1] Type	H	T	θ
S	1,110 (43.7)	433 (17.0)	71°
L	1,240 (48.8)	563 (22.2)	72°

Unit: mm (in)



Honda Bf15 Shop Manual

Jianjun Gao



Honda Bf15 Shop Manual:

Delve into the emotional tapestry woven by in **Honda Bf15 Shop Manual** . This ebook, available for download in a PDF format (*), is more than just words on a page; itis a journey of connection and profound emotion. Immerse yourself in narratives that tug at your heartstrings. Download now to experience the pulse of each page and let your emotions run wild.

https://staging.conocer.cide.edu/public/uploaded-files/index.jsp/mauser_80_sa_parts_manual.pdf

Table of Contents Honda Bf15 Shop Manual

1. Understanding the eBook Honda Bf15 Shop Manual
 - The Rise of Digital Reading Honda Bf15 Shop Manual
 - Advantages of eBooks Over Traditional Books
2. Identifying Honda Bf15 Shop Manual
 - Exploring Different Genres
 - Considering Fiction vs. Non-Fiction
 - Determining Your Reading Goals
3. Choosing the Right eBook Platform
 - Popular eBook Platforms
 - Features to Look for in an Honda Bf15 Shop Manual
 - User-Friendly Interface
4. Exploring eBook Recommendations from Honda Bf15 Shop Manual
 - Personalized Recommendations
 - Honda Bf15 Shop Manual User Reviews and Ratings
 - Honda Bf15 Shop Manual and Bestseller Lists
5. Accessing Honda Bf15 Shop Manual Free and Paid eBooks
 - Honda Bf15 Shop Manual Public Domain eBooks
 - Honda Bf15 Shop Manual eBook Subscription Services
 - Honda Bf15 Shop Manual Budget-Friendly Options
6. Navigating Honda Bf15 Shop Manual eBook Formats

- ePub, PDF, MOBI, and More
 - Honda Bf15 Shop Manual Compatibility with Devices
 - Honda Bf15 Shop Manual Enhanced eBook Features
7. Enhancing Your Reading Experience
 - Adjustable Fonts and Text Sizes of Honda Bf15 Shop Manual
 - Highlighting and Note-Taking Honda Bf15 Shop Manual
 - Interactive Elements Honda Bf15 Shop Manual
 8. Staying Engaged with Honda Bf15 Shop Manual
 - Joining Online Reading Communities
 - Participating in Virtual Book Clubs
 - Following Authors and Publishers Honda Bf15 Shop Manual
 9. Balancing eBooks and Physical Books Honda Bf15 Shop Manual
 - Benefits of a Digital Library
 - Creating a Diverse Reading Collection Honda Bf15 Shop Manual
 10. Overcoming Reading Challenges
 - Dealing with Digital Eye Strain
 - Minimizing Distractions
 - Managing Screen Time
 11. Cultivating a Reading Routine Honda Bf15 Shop Manual
 - Setting Reading Goals Honda Bf15 Shop Manual
 - Carving Out Dedicated Reading Time
 12. Sourcing Reliable Information of Honda Bf15 Shop Manual
 - Fact-Checking eBook Content of Honda Bf15 Shop Manual
 - Distinguishing Credible Sources
 13. Promoting Lifelong Learning
 - Utilizing eBooks for Skill Development
 - Exploring Educational eBooks
 14. Embracing eBook Trends
 - Integration of Multimedia Elements
 - Interactive and Gamified eBooks

Honda Bf15 Shop Manual Introduction

In today's digital age, the availability of Honda Bf15 Shop Manual books and manuals for download has revolutionized the way we access information. Gone are the days of physically flipping through pages and carrying heavy textbooks or manuals. With just a few clicks, we can now access a wealth of knowledge from the comfort of our own homes or on the go. This article will explore the advantages of Honda Bf15 Shop Manual books and manuals for download, along with some popular platforms that offer these resources. One of the significant advantages of Honda Bf15 Shop Manual books and manuals for download is the cost-saving aspect. Traditional books and manuals can be costly, especially if you need to purchase several of them for educational or professional purposes. By accessing Honda Bf15 Shop Manual versions, you eliminate the need to spend money on physical copies. This not only saves you money but also reduces the environmental impact associated with book production and transportation. Furthermore, Honda Bf15 Shop Manual books and manuals for download are incredibly convenient. With just a computer or smartphone and an internet connection, you can access a vast library of resources on any subject imaginable. Whether you're a student looking for textbooks, a professional seeking industry-specific manuals, or someone interested in self-improvement, these digital resources provide an efficient and accessible means of acquiring knowledge. Moreover, PDF books and manuals offer a range of benefits compared to other digital formats. PDF files are designed to retain their formatting regardless of the device used to open them. This ensures that the content appears exactly as intended by the author, with no loss of formatting or missing graphics. Additionally, PDF files can be easily annotated, bookmarked, and searched for specific terms, making them highly practical for studying or referencing. When it comes to accessing Honda Bf15 Shop Manual books and manuals, several platforms offer an extensive collection of resources. One such platform is Project Gutenberg, a nonprofit organization that provides over 60,000 free eBooks. These books are primarily in the public domain, meaning they can be freely distributed and downloaded. Project Gutenberg offers a wide range of classic literature, making it an excellent resource for literature enthusiasts. Another popular platform for Honda Bf15 Shop Manual books and manuals is Open Library. Open Library is an initiative of the Internet Archive, a non-profit organization dedicated to digitizing cultural artifacts and making them accessible to the public. Open Library hosts millions of books, including both public domain works and contemporary titles. It also allows users to borrow digital copies of certain books for a limited period, similar to a library lending system. Additionally, many universities and educational institutions have their own digital libraries that provide free access to PDF books and manuals. These libraries often offer academic texts, research papers, and technical manuals, making them invaluable resources for students and researchers. Some notable examples include MIT OpenCourseWare, which offers free access to course materials from the Massachusetts Institute of Technology, and the Digital Public Library of America, which provides a vast collection of digitized books and historical documents. In conclusion, Honda Bf15 Shop Manual books and manuals for download have transformed the way we access

information. They provide a cost-effective and convenient means of acquiring knowledge, offering the ability to access a vast library of resources at our fingertips. With platforms like Project Gutenberg, Open Library, and various digital libraries offered by educational institutions, we have access to an ever-expanding collection of books and manuals. Whether for educational, professional, or personal purposes, these digital resources serve as valuable tools for continuous learning and self-improvement. So why not take advantage of the vast world of Honda Bf15 Shop Manual books and manuals for download and embark on your journey of knowledge?

FAQs About Honda Bf15 Shop Manual Books

How do I know which eBook platform is the best for me? Finding the best eBook platform depends on your reading preferences and device compatibility. Research different platforms, read user reviews, and explore their features before making a choice. Are free eBooks of good quality? Yes, many reputable platforms offer high-quality free eBooks, including classics and public domain works. However, make sure to verify the source to ensure the eBook credibility. Can I read eBooks without an eReader? Absolutely! Most eBook platforms offer webbased readers or mobile apps that allow you to read eBooks on your computer, tablet, or smartphone. How do I avoid digital eye strain while reading eBooks? To prevent digital eye strain, take regular breaks, adjust the font size and background color, and ensure proper lighting while reading eBooks. What the advantage of interactive eBooks? Interactive eBooks incorporate multimedia elements, quizzes, and activities, enhancing the reader engagement and providing a more immersive learning experience. Honda Bf15 Shop Manual is one of the best book in our library for free trial. We provide copy of Honda Bf15 Shop Manual in digital format, so the resources that you find are reliable. There are also many Ebooks of related with Honda Bf15 Shop Manual. Where to download Honda Bf15 Shop Manual online for free? Are you looking for Honda Bf15 Shop Manual PDF? This is definitely going to save you time and cash in something you should think about. If you trying to find then search around for online. Without a doubt there are numerous these available and many of them have the freedom. However without doubt you receive whatever you purchase. An alternate way to get ideas is always to check another Honda Bf15 Shop Manual. This method for see exactly what may be included and adopt these ideas to your book. This site will almost certainly help you save time and effort, money and stress. If you are looking for free books then you really should consider finding to assist you try this. Several of Honda Bf15 Shop Manual are for sale to free while some are payable. If you arent sure if the books you would like to download works with for usage along with your computer, it is possible to download free trials. The free guides make it easy for someone to free access online library for download books to your device. You can get free download on free trial for lots of books categories. Our library is the biggest of these that have literally hundreds of thousands of different products categories represented. You

will also see that there are specific sites catered to different product types or categories, brands or niches related with Honda Bf15 Shop Manual. So depending on what exactly you are searching, you will be able to choose e books to suit your own need. Need to access completely for Campbell Biology Seventh Edition book? Access Ebook without any digging. And by having access to our ebook online or by storing it on your computer, you have convenient answers with Honda Bf15 Shop Manual To get started finding Honda Bf15 Shop Manual, you are right to find our website which has a comprehensive collection of books online. Our library is the biggest of these that have literally hundreds of thousands of different products represented. You will also see that there are specific sites catered to different categories or niches related with Honda Bf15 Shop Manual So depending on what exactly you are searching, you will be able to choose ebook to suit your own need. Thank you for reading Honda Bf15 Shop Manual. Maybe you have knowledge that, people have search numerous times for their favorite readings like this Honda Bf15 Shop Manual, but end up in harmful downloads. Rather than reading a good book with a cup of coffee in the afternoon, instead they juggled with some harmful bugs inside their laptop. Honda Bf15 Shop Manual is available in our book collection an online access to it is set as public so you can download it instantly. Our digital library spans in multiple locations, allowing you to get the most less latency time to download any of our books like this one. Merely said, Honda Bf15 Shop Manual is universally compatible with any devices to read.

Find Honda Bf15 Shop Manual :

mauser 80 sa parts manual

mathsliteracy 2015 gde memos

~~max papers travel and tourism~~

matrix epabx manual

maths past paper pixle

maths quest ac edition

maths pixl 2015 calculator paper

maths with smarties year 4

maths paper2014 final exam memo

maths paper 1 grade 12 june 2013

maxxum 7d service manual

maximatic rice cooker manual

maths watch clip 180 answers

may 17th edexcel sunofficial mark scheme

maths paper november examplar

Honda Bf15 Shop Manual :

die schlümpfe band 37 die schlümpfe und die traummaschine - Feb 01 2022

sep 14 2023 schlümpfe die welt der schlümpfe 01 peyo bok schlumpf handstand gebraucht kaufen 4 st bis 70 günstiger die schlümpfe band 7 kein schlumpf wie die anderen 1983 die schlümpfe band 37 die schlümpfe und die die schlümpfe und die traummaschine dorfbibliothek dottikon alles zu die schlümpfe quotenmeter de die schlumpfe

die schlümpfe band 37 die schlümpfe und die traummaschine - Sep 20 2023

die schlümpfe band 37 die schlümpfe und die traummaschine peyo peyo isbn 9783958399082 kostenloser versand für alle bücher mit versand und verkauf duch amazon

die schlümpfe band 37 die schlümpfe und die traummaschine - Oct 09 2022

seinem kater azrael immer wieder jagd auf sie macht die schlümpfe band 37 die schlümpfe und die traummaschine die schlümpfe ic abebooks die welt der schlümpfe 1 gargamel und die rakuten kobo waltraud und mariechen folge 37 mit bildern die

die schlümpfe band 37 die schlümpfe und die traummaschine - May 16 2023

aug 20 2019 die traummaschine lässt alle wünsche der schlümpfe wirklichkeit werden aber ist das wirklich so schlumpfig wie es klingt jeder kennt die schlümpfe ob aus den comics der 80er jahre fernsehserie oder den jüngsten kinofilmen 100 kleine blaue wichte leben glücklich und zufrieden im einklang mit sich und der natur wohlbehütet in

die schlümpfe band 37 die schlümpfe und die traummaschine - Apr 03 2022

sep 6 2023 37 die schlümpfe und die traummaschine waltraud und mariechen folge 37 mit bildern die schlümpfe und die edms ncdmb gov ng 1 19 traumsuppe schul und die schlümpfe diskografie die schlümpfe und eine goldene banane kultur dw 07

die schlumpfe band 37 die schlumpfe und die traum pdf - Jan 12 2023

mar 22 2023 merely said the die schlumpfe band 37 die schlumpfe und die traum pdf is universally compatible similar to any devices to read kritik aktivismus und prospektivität andrea reiter 2019 09 die schlümpfe 30 dein schlumpf und helfer peyo 2012 09 01 die schlümpfe 30 dein schlumpf und helfer die schlümpfe sind wieder da jeder kennt sie

die schlümpfe band 37 die schlümpfe und die traummaschine - Mar 02 2022

60 die welt der schlümpfe 1 gargamel und die rakuten kobo die schlümpfe band 37 die schlümpfe und die die schlumpfe techno funkysouls carlsen die schlümpfe schlumpf wiki fandom das besondere erntedankfest der schlümpfe folge die schlümpfe schlümpfe die welt der schlümpfe 01 peyo

teil 37 song and lyrics by die schlümpfe spotify - Dec 11 2022

listen to die schlümpfe 1 teil 37 on spotify die schlümpfe song 2011 die schlümpfe song 2011 listen to die schlümpfe 1 teil 37 on spotify die schlümpfe song 2011 sign up log in home search your library create your first playlist it s easy we ll help

die schlumpfe band 37 die schlumpfe und die traum pdf - Sep 08 2022

dec 17 2022 schlumpfe band 37 die schlumpfe und die traum but end up in infectious downloads rather than enjoying a good book with a cup of coffee in the afternoon instead they juggled with some malicious virus inside their desktop computer die schlumpfe band 37 die schlumpfe und die traum is available in our digital library an online

download free die schlumpfe band 37 die schlumpfe und die traum - Apr 15 2023

wieder jagd auf sie macht die schlümpfe band 37 dec 02 2022 die traummaschine lässt alle wünsche der schlümpfe wirklichkeit werden aber ist das wirklich so schlumpfig wie es klingt jeder kennt die schlümpfe ob aus den comics der

die schlumpfe band 37 die schlumpfe und die traum j k iliffe - Feb 13 2023

jan 6 2023 die schlumpfe band 37 die schlumpfe und die traum as well as review them wherever you are now hofmeisters handbuch der musikliteratur adolf moritz hofmeister 1906 cadence bob rusch 1988

die schlümpfe band 37 overdrive - Mar 14 2023

aug 20 2019 die traummaschine lässt alle wünsche der schlümpfe wirklichkeit werden aber ist das wirklich so schlumpfig wie es klingt jeder kennt die schlümpfe ob aus den comics der 80er jahre fernsehserie oder den jüngsten kinofilmen 100 kleine blaue wichte leben glücklich und zufrieden im einklang mit sich und der natur wohlbehütet in kleinen aus pilzen

die schlumpfe band 37 die schlumpfe und die traum pdf - Jul 18 2023

may 25 2023 die schlumpfe band 37 die schlumpfe und die traum 2 5 downloaded from uniport edu ng on may 25 2023 by guest legal regulation of motherhood by parental constellations deviating from the mother father model single motherhood by choice same gender parenthood multiple parenthood the exercise of parental rights in case of

die schlümpfe band 37 die schlümpfe und die traummaschine - Jul 06 2022

may 6 2023 die schlümpfe band 37 die schlümpfe und die traummaschine by peyo peyo die schlümpfe 02 schlumpffissimus könig der schlümpfe die schlümpfe band 36 die schlümpfe und der drache vom die schlumpfe techno funkysouls die schlümpfe schlumpfereien bd 5 online kaufen die welt der schlümpfe 1 gargamel und die rakuten kobo

die schlumpfe band 37 die schlumpfe und die traum 2022 - May 04 2022

2 die schlumpfe band 37 die schlumpfe und die traum 2021 06 15 trends schlümpfe die welt der schlümpfe 03 schlumpfine superstar waxmann verlag in its 114th year billboard remains the world s premier weekly music publication and a diverse digital events brand content and data licensing platform billboard publishes the most trusted charts

die schlümpfe band 37 die schlümpfe und die traummaschine - Nov 10 2022

sep 14 2023 olympiade peyo ebook die schlümpfe 37 die schlümpfe und die traummaschine die schlümpfe dein schlumpf und helfer online kaufen torti der fresssack die schlümpfe die welt der schlümpfe 3 schlumpfine superstar waltraud und mariechen folge 37 mit bildern die schlümpfe band 36 die schlümpfe und der drache vom von nebendarstellern zu

pdf die schlumpfe band 37 die schlumpfe und die traum - Aug 07 2022

angehende piloten e geht nicht nur auf die europaeische piloten ausbildung und die berufsmoeglichkeiten ein sondern zeigt auch die weltweiten perspektiven auf der e traum vom fliegen e beeinflusst den berufswunsch vieler junger frauen und maenner erstmals haben sie nun die moeglichkeit detaillierte und objective hintergrundinformationen zu

die schlumpfe band 32 die schlumpfe und der verli - Jun 05 2022

die schlumpfe band 32 die schlumpfe und der verli die schlümpfe 05 die schlümpfe und der monstervogel may 11 2023 die schlümpfe 05 die schlümpfe und der monstervogel die schlümpfe sind wieder da jeder kennt sie ob aus den comics oder der 80er jahre fernsehserie 100 kleine blaue wichte leben glücklich und

die schlümpfe band 37 die schlümpfe und die traummaschine - Aug 19 2023

setzen die schlümpfe die brillen auf und schauen auf die tafel sehen sie ihre stärksten wünsche zum beispiel ist der schüchterne schlumpf in der traumwelt überhaupt nicht mehr schüchtern farmys gemüse ist riesengroß und harmonys musik bei allen beliebt

die schlümpfe band 37 von peyo buch 978 3 95839 908 2 - Jun 17 2023

die schlümpfe band 37 die schlümpfe band 37 die schlümpfe und die traummaschine peyo buch gebundene ausgabe 13 95 inkl gesetzl mwst ob aus den comics der 80er jahre fernsehserie oder den jüngsten kinofilmen 100 kleine blaue wichte leben glücklich und zufrieden im einklang mit sich und der natur wohlbehütet in kleinen

student solutions manual to accompany atkins physical - Dec 26 2021

web aug 28 2018 only 20 left in stock order soon the student solutions manual to accompany atkins physical chemistry 11th edition provides full worked solutions to

atkins physical chemistry 8e student solutions manual pdf - Feb 08 2023

web atkins physical chemistry 8e student solutions manual pdf google drive

access free solutions manual to accompany shriver atkins - Jul 21 2021

web sep 8 2023 instructor solutions manual to accompany atkins physical instructor solutions manual to accompany atkins physical chemistry 11th edition pdf instructor

student solutions manual to accompany atkins physical - Feb 25 2022

web table of contents description the student solutions manual to accompany atkins physical chemistry 11th edition provides full worked solutions to the a exercises

atkins physical chemistry v1 oxford university press - Apr 10 2023

web jan 5 2023 atkins physical chemistry v1 twelfth edition peter atkins julio de paula and james keeler publication date 05 january 2023 isbn 9780198851301 480

student solutions manual to accompany atkins physical - Aug 02 2022

web us 5 72 shipping from united kingdom to u s a quantity 1 add to basket paperback condition very good physical chemistry student s solutions manual to accompany

atkins physical chemistry 8e student solutions manual - May 31 2022

web solution manual for organic chemistry mechanistic patterns 1st edition by ogilvie pdf a488808728 mcmurry chapter 7 christine tapawan solutions manual physical

atkins physical chemistry paperback peter atkins julio de - Jan 27 2022

web peter atkins julio de paula isbn 9780198847816 276x219mm price 59 99 atkins physical chemistry is widely acknowledged by both students and lecturers around the

buy student solutions manual to accompany atkins physical - May 19 2021

web amazon in buy student solutions manual to accompany atkins physical chemistry 11th edition book online at best prices in india on amazon in read student solutions

student solutions manual to accompany atkins physical - Jul 01 2022

web the student solutions manual to accompany atkins physical chemistry 11th edition provides full worked solutions to the a exercises and the odd numbered discussion

download 11th edition atkin s physical chemistry - Sep 22 2021

web 11th edition atkin s physical chemistry 2018 author peter atkins language english year 2018 file size 26 mb total downloads 4 652 total views 13 912

student solutions manual to accompany atkins physical - Aug 22 2021

web the student solutions manual to accompany atkins physical chemistry 11th edition provides full worked solutions to the a exercises and the odd numbered discussion

solutions physical chemistry atkins 11th ed academia edu - Sep 03 2022

web instructor solutions manual to accompany atkins physical chemistry 11th edition michael wang download free pdf view pdf

student solutions manual to accompany atkins physical chemistry - Mar 09 2023

web part 3 change the student solutions manual to accompany atkins physical chemistry 10e provides full worked solutions to the a exercises and the odd

physical chemistry by atkins first edition abebooks - Jun 12 2023

web physical chemistry for the life sciences solutions manual complete solutions atkins peter bohorquez maria de paula published by w h freeman new york 2005 isbn

[access free atkins physical chemistry solutions manual 9th ed](#) - Jun 19 2021

web sep 8 2023 atkins physical chemistry solutions manual 9th ed is available in our digital library an online access to it is set as public so you can download foundations

studentsolutions manualto accompanyatkins physicalchemistry - Jul 13 2023

web preface ismanualprovidesdetailedsolutionstothe a exercisestandtheodd numbereddiscus sionquestionsandproblemsfromtheinternationaleditionofatkins physicalchemistry

[atkins physical chemistry 11th edition textbook solutions bartleby](#) - Mar 29 2022

web the exceptional quality of previous editions has been built upon to make the eleventh edition of atkins physical chemistry even more suited to the needs of both lecturers

bookmark file atkins physical chemistry 8th edition student - Mar 17 2021

web sep 8 2023 student solutions manual for masterton hurley s chemistry principles and reactions 8th 2015 07 13 dicho 8th edition student text with audio cd and student

physical chemistry 11e learning link oxford university press - Jan 07 2023

web acknowledged by students and lecturers around the world as the textbook for studying physical chemistry atkins physical chemistry evolves with each edition to meet

instructor solutions manual to accompany atkins physical - Dec 06 2022

web instructor solutions manual to accompany atkins physical chemistry 11th edition pdf instructor solutions manual to accompany atkins physical chemistry 11th

student solutions manual to accompany atkins physical - Oct 04 2022

web jun 1 2022 this manual provides detailed solutions to the a exercises and the odd numbered discussion questions and problems from the 11th edition of atkins physical

atkins physical chemistry - Apr 17 2021

web atkins physical chemistry eleventh edition by peter atkins julio de paula and james keeler paperback 1 040 pages 219 x 279mm isbn 978 0 19 876986 6 special

[physical chemistry for the life sciences paperback peter](#) - Oct 24 2021

web mar 10 2023 third edition peter atkins r george ratcliffe mark wormald and julio de paula 10 march 2023 isbn 9780198830108 544 pages paperback 276x219mm in

physical chemistry 11e instructor resources learning link - Nov 05 2022

web student resources to accompany atkins physical chemistry 11e a deeper look group theory tables chemist s toolkit impact sections

access free atkins physical chemistry solutions manual pdf - Nov 24 2021

web sep 8 2023 solution manual for chemistry 10th edition by zumdahl pdf solutions manual chemistry 10th edition steven s complete solutions guide to chemistry

atkins physical chemistry 11th edition solutions and answers - May 11 2023

web at quizlet we re giving you the tools you need to take on any subject without having to carry around solutions manuals or printing out pdfs now with expert verified

student solutions manual to accompany atkins physical - Apr 29 2022

web aug 30 2018 the student solutions manual to accompany atkins physical chemistry 11th edition provides full worked solutions to the a exercises and the odd numbered

studentsolutions manualto accompanyatkins physicalchemistry - Aug 14 2023

web studentsolutions manualto accompanyatkins physicalchemistry eleventhedition peterbolgar haydnlloyd aimeenorth vladimirasoleinikovas stephaniesmith and

eclinical trials planning implementation alibris - Feb 26 2022

web pmid 3528041 abstract the large scale collaborative clinical trial has become an

eclinical trials planning and implementation kush rebecca - May 12 2023

web oct 6 2022 this manuscript has two objectives 1 to introduce an implementation

planning and implementation of large clinical trials pubmed - Jan 28 2022

web background a gap exists between scientific discovery and implementation and adoption

planning and running the e clinical trial applied clinical trials - Jan 08 2023

web eclinical trials planning and implementation this new manual the first of its kind

clinical trials in turkey pmc national center for biotechnology - Jul 02 2022

web a clinical trial is an experiment aimed at testing an hypothesis regarding the efficacy of a
steps to a successful eclinical program applied clinical trials - Feb 09 2023

web jan 1 2003 figure 1 standardized framework for the implementation and operation of

e clinical trials planning and implementation barbara tardiff - Oct 25 2021

web feb 15 2022 e clinical trials planning and implementation barbara tardiff this

facilitating future implementation and translation to clinical - Apr 11 2023

web nov 25 2020 clinical researchers rarely specify all of the implementation strategies
applied clinical trials 10 01 2003 - Mar 30 2022

web buy eclinical trials planning implementation by centerwatch rebecca daniels
planning of clinical trials pubmed - Jun 01 2022

web buy eclinical trials planning and implementation paperback book by rebecca d
eclinical trials planning implementation goodreads - Dec 07 2022

web oct 6 2022 this manuscript has two objectives 1 to introduce an implementation
e clinical trials planning and implementation barbara tardiff - Sep 23 2021

web eclinical trial a clinical trial in which information i e not human systems do the work
eclinical trials planning and implementation - Apr 30 2022

web sep 30 2003 eclinical trials planning implementation is a useful resource for
integrating implementation science in clinical research to - Mar 10 2023

web mar 2 2008 a central issue in most eclinical programs is the implementation use
legislative amendments introduced in 2020 on clinical trials - Nov 25 2021

web e clinical trials planning and implementation barbara tardiff wicked bite night
priority research opportunities in crisis response services - Jul 22 2021

designing and undertaking randomised implementation trials - Jun 13 2023

web english 194 pages 23 cm includes bibliographical references pages 137 38 1 setting
eclinical trials planning implementation - Aug 15 2023

web oct 1 2003 eclinical trials planning implementation is a useful resource for those
eclinical trials planning and implementation amazon com - Jul 14 2023

web may 1 2003 eclinical trials planning and implementation this new manual the
eclinical trial definition of eclinical trial by medical dictionary - Aug 23 2021

web sep 8 2023 presenter jennifer humensky ph d division of services and intervention
an eclinical trial system for cancer that integrates with clinical - Sep 04 2022

web jul 20 2023 the clinical trials regulation introduced substantial changes in how
planning an implementation science training program for jbi - Dec 27 2021

web jan 27 2021 as welcoming 2021 we would kindly like to share information on the
clinical trials regulation progress on implementation - Aug 03 2022

web jun 5 2013 turkey has had clinical trial legislation for a long time there are also

facilitating future implementation and translation to clinical - Nov 06 2022

web dec 16 2021 in 2021 our consortium has collectively decided to tackle the specific

towards data driven clinical trial planning and strategy - Oct 05 2022

web may 17 2012 we proposed and pilot tested a new eclinical trial model because our