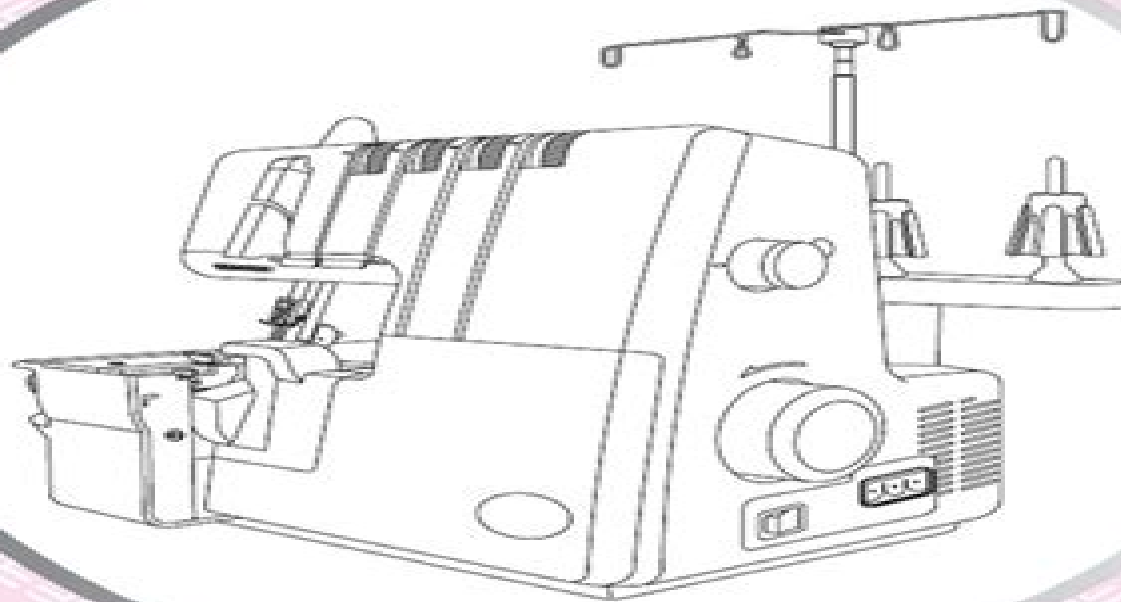


INSTRUCTION BOOK



Merrylock 2020 User Guide

IM Harris



Merrylock 2020 User Guide:

If you ally compulsion such a referred **Merrylock 2020 User Guide** books that will give you worth, acquire the enormously best seller from us currently from several preferred authors. If you desire to droll books, lots of novels, tale, jokes, and more fictions collections are plus launched, from best seller to one of the most current released.

You may not be perplexed to enjoy every book collections Merrylock 2020 User Guide that we will definitely offer. It is not around the costs. Its practically what you obsession currently. This Merrylock 2020 User Guide, as one of the most in force sellers here will unconditionally be in the middle of the best options to review.

https://staging.conocer.cide.edu/files/book-search/Download_PDFS/johnson%20gt200%20manual.pdf

Table of Contents Merrylock 2020 User Guide

1. Understanding the eBook Merrylock 2020 User Guide
 - The Rise of Digital Reading Merrylock 2020 User Guide
 - Advantages of eBooks Over Traditional Books
2. Identifying Merrylock 2020 User Guide
 - Exploring Different Genres
 - Considering Fiction vs. Non-Fiction
 - Determining Your Reading Goals
3. Choosing the Right eBook Platform
 - Popular eBook Platforms
 - Features to Look for in an Merrylock 2020 User Guide
 - User-Friendly Interface
4. Exploring eBook Recommendations from Merrylock 2020 User Guide
 - Personalized Recommendations
 - Merrylock 2020 User Guide User Reviews and Ratings
 - Merrylock 2020 User Guide and Bestseller Lists
5. Accessing Merrylock 2020 User Guide Free and Paid eBooks

- Merrylock 2020 User Guide Public Domain eBooks
 - Merrylock 2020 User Guide eBook Subscription Services
 - Merrylock 2020 User Guide Budget-Friendly Options
6. Navigating Merrylock 2020 User Guide eBook Formats
 - ePub, PDF, MOBI, and More
 - Merrylock 2020 User Guide Compatibility with Devices
 - Merrylock 2020 User Guide Enhanced eBook Features
 7. Enhancing Your Reading Experience
 - Adjustable Fonts and Text Sizes of Merrylock 2020 User Guide
 - Highlighting and Note-Taking Merrylock 2020 User Guide
 - Interactive Elements Merrylock 2020 User Guide
 8. Staying Engaged with Merrylock 2020 User Guide
 - Joining Online Reading Communities
 - Participating in Virtual Book Clubs
 - Following Authors and Publishers Merrylock 2020 User Guide
 9. Balancing eBooks and Physical Books Merrylock 2020 User Guide
 - Benefits of a Digital Library
 - Creating a Diverse Reading Collection Merrylock 2020 User Guide
 10. Overcoming Reading Challenges
 - Dealing with Digital Eye Strain
 - Minimizing Distractions
 - Managing Screen Time
 11. Cultivating a Reading Routine Merrylock 2020 User Guide
 - Setting Reading Goals Merrylock 2020 User Guide
 - Carving Out Dedicated Reading Time
 12. Sourcing Reliable Information of Merrylock 2020 User Guide
 - Fact-Checking eBook Content of Merrylock 2020 User Guide
 - Distinguishing Credible Sources
 13. Promoting Lifelong Learning
 - Utilizing eBooks for Skill Development

- Exploring Educational eBooks
14. Embracing eBook Trends
- Integration of Multimedia Elements
 - Interactive and Gamified eBooks

Merrylock 2020 User Guide Introduction

In the digital age, access to information has become easier than ever before. The ability to download Merrylock 2020 User Guide has revolutionized the way we consume written content. Whether you are a student looking for course material, an avid reader searching for your next favorite book, or a professional seeking research papers, the option to download Merrylock 2020 User Guide has opened up a world of possibilities. Downloading Merrylock 2020 User Guide provides numerous advantages over physical copies of books and documents. Firstly, it is incredibly convenient. Gone are the days of carrying around heavy textbooks or bulky folders filled with papers. With the click of a button, you can gain immediate access to valuable resources on any device. This convenience allows for efficient studying, researching, and reading on the go. Moreover, the cost-effective nature of downloading Merrylock 2020 User Guide has democratized knowledge. Traditional books and academic journals can be expensive, making it difficult for individuals with limited financial resources to access information. By offering free PDF downloads, publishers and authors are enabling a wider audience to benefit from their work. This inclusivity promotes equal opportunities for learning and personal growth. There are numerous websites and platforms where individuals can download Merrylock 2020 User Guide. These websites range from academic databases offering research papers and journals to online libraries with an expansive collection of books from various genres. Many authors and publishers also upload their work to specific websites, granting readers access to their content without any charge. These platforms not only provide access to existing literature but also serve as an excellent platform for undiscovered authors to share their work with the world. However, it is essential to be cautious while downloading Merrylock 2020 User Guide. Some websites may offer pirated or illegally obtained copies of copyrighted material. Engaging in such activities not only violates copyright laws but also undermines the efforts of authors, publishers, and researchers. To ensure ethical downloading, it is advisable to utilize reputable websites that prioritize the legal distribution of content. When downloading Merrylock 2020 User Guide, users should also consider the potential security risks associated with online platforms. Malicious actors may exploit vulnerabilities in unprotected websites to distribute malware or steal personal information. To protect themselves, individuals should ensure their devices have reliable antivirus software installed and validate the legitimacy of the websites they are downloading from. In conclusion, the ability to download Merrylock 2020 User Guide has transformed the way we access information. With the convenience, cost-effectiveness, and accessibility it

offers, free PDF downloads have become a popular choice for students, researchers, and book lovers worldwide. However, it is crucial to engage in ethical downloading practices and prioritize personal security when utilizing online platforms. By doing so, individuals can make the most of the vast array of free PDF resources available and embark on a journey of continuous learning and intellectual growth.

FAQs About Merrylock 2020 User Guide Books

How do I know which eBook platform is the best for me? Finding the best eBook platform depends on your reading preferences and device compatibility. Research different platforms, read user reviews, and explore their features before making a choice. Are free eBooks of good quality? Yes, many reputable platforms offer high-quality free eBooks, including classics and public domain works. However, make sure to verify the source to ensure the eBook credibility. Can I read eBooks without an eReader? Absolutely! Most eBook platforms offer web-based readers or mobile apps that allow you to read eBooks on your computer, tablet, or smartphone. How do I avoid digital eye strain while reading eBooks? To prevent digital eye strain, take regular breaks, adjust the font size and background color, and ensure proper lighting while reading eBooks. What the advantage of interactive eBooks? Interactive eBooks incorporate multimedia elements, quizzes, and activities, enhancing the reader engagement and providing a more immersive learning experience. Merrylock 2020 User Guide is one of the best book in our library for free trial. We provide copy of Merrylock 2020 User Guide in digital format, so the resources that you find are reliable. There are also many Ebooks of related with Merrylock 2020 User Guide. Where to download Merrylock 2020 User Guide online for free? Are you looking for Merrylock 2020 User Guide PDF? This is definitely going to save you time and cash in something you should think about.

Find Merrylock 2020 User Guide :

[johnson gt200 manual](#)

[johnson evinrude outboard repair manual](#)

[journal microbiology and immunology](#)

[journal international of accounting 23](#)

[journalism a career handbook anna mckane](#)

[johnson c8000 exercise bike manual](#)

[joss whedon the genius behind buffy](#)

[journal report street wall](#)
[johnson evinrude 1971 1989 service repair workshop manual](#)
johnson evinrude 1981 repair service manual
jose antonio villarreal pocho
[johnson 6hp 1993 outboard motor manual](#)
johnson 25 hp outboard motor repair man
joint examination time table for 2015 2016
journalism amp mass communication educator

Merrylock 2020 User Guide :

[mylab it print an answer key pearson support central](#) - Jun 16 2022
web jun 27 2023 detailed instructions to see the answers to objective based questions matching multiple choice fill in the blank or true false in quizzes the best solution is to print the quiz and include the answer key go to course content and navigate to the quiz for which you want to have the answer key click the options arrow select print
[basic principles of accounting chapter exam study com](#) - Jan 24 2023
web basic principles of accounting chapter exam free practice test instructions choose your answer to the question and click continue to see how you did then click next question to answer the
[accounting principles](#) - May 28 2023
web mar 10 2010 [acct117](#) [accounting principles 8](#) [weygandt kieso kimmel](#) [acct117](#)
[ial accounting student book 1 pearson](#) - Feb 10 2022
web this document contains suggested answers to the questions in the chapters of the student book if there are questions where your answers are different to the solution given you are activity 1 principles of accounting 1 the six reasons are activity 2 defining accounting 1 three key words are the recording function
[fundamental accounting principles 25th edition quizlet](#) - Oct 21 2022
web now with expert verified solutions from fundamental accounting principles 25th edition you ll learn how to solve your toughest homework problems our resource for fundamental accounting principles includes answers to chapter exercises as well as detailed information to walk you through the process step by step
accounting 1 7th edition answer key pdf pdffiller - Jul 18 2022

web how do i make changes in pearson accounting 1 7th edition answer key pdf pdfiller not only allows you to edit the content of your files but fully rearrange them by changing the number and sequence of pages

pearson principles of accounting 4th edition answer key - Feb 22 2023

web 1513 pearson principles of accounting 4th edition answer key added by users 5996 kb s 7610 pearson principles of accounting 4th edition answer key most popular 5345 kb s 11675 chapter 19 problem 14rq bartleby textbook solution for principles of economics 2e 2nd edition steven a greenlaw david shapiro chapter 19 problem 14rq *accounting textbook solutions and answers chegg com* - Nov 21 2022

web view 772 solutions accounting chapters 1 15 financial chapters student value edition myaccountinglab with pearson etext instant access for accounting chapters 1 15 financial chapters and myaccountinglab access card 1 semester access package 9th edition

accounting principles pearson answer key pitagoras provida - Mar 14 2022

web 4 accounting principles pearson answer key 2022 02 15 accounting for decision makers pearson education south asia accounting began as a practical activity in response to perceived needs it has progressed in the same way adapting to meet changes in the demands made on it where the needs differed in different countries

pearson accounting 1 7th edition answers answers for 2023 - Jun 28 2023

web accounting 1 7th edition pearson answer key engenderhealth acces pdf accounting 1 7th edition pearson answer key of money liabilities shareholders equity the statement of cash flows financial statement analysis market appropriate for introduction to financial accounting courses

accounting principles 13th edition solutions and answers quizlet - Oct 01 2023

web with expert solutions for thousands of practice problems you can take the guesswork out of studying and move forward with confidence find step by step solutions and answers to accounting principles 9781119537274 as well as thousands of textbooks so you can move forward with confidence

[principles of accounting pearson answer key dev ithakahp](#) - Apr 14 2022

web pearsonschoolcanada ca principles of accounting 4th principles of accounting pearson answer pdf principles of accounts answers to x questions chapter 3 pearsonschoolcanada ca principles of accounting 4th edition textbook answers gradesaver accounting principles solution godgift accounting principles question

accounting principles explained how they work gaap ifrs investopedia - Dec 11 2021

web mar 7 2023 katrina munichiello what are accounting principles accounting principles are the rules and guidelines that companies and other bodies must follow when reporting financial data these rules

principles of accounting fourth edition answer key answers - Apr 26 2023

web principles of accounting 4th edition answers w9 keyhole co pearsonschoolcanada ca principles of accounting 4th edition key accounting principles volume one is perfect for an accounting one course as well as any non major accounting and bookkeeping courses

principles of accounting pearson answer key - Aug 31 2023

web principles of accounting pearson answer key 1 principles of accounting pearson answer key accounting textbook solutions and answers chegg com principles of accounting i quiz 1 flashcards quizlet mylab accounting pearson principles of accounting pearson answer accounting principles solution godgift chapter 3

answer key chapter 11 principles of accounting volume 1 - Sep 19 2022

web 1 1 explain the importance of accounting and distinguish between financial and managerial accounting 1 2 identify users of accounting information and how they apply information 1 3 describe typical accounting activities and the role accountants play in identifying recording and reporting financial activities

principles of accounting pearson answer key - Aug 19 2022

web chapter 1 multiple choice questions pearson education accounting principles solution godgift accounting quizzes and practice tests accountingcoach accounting questions and answers accountingcoach 4 principles of accounting pearson answer key 2020 12 21 analysis can and will appear again in future diets questions one two seven

management accounting pearson answer key vla ramtech uri - Jan 12 2022

web management accounting pearson answer key accounting and finance for non specialists peter atrill 2018 11 21 the 11th edition of this market leading text offers an accessible effective introduction to key accounting and finance topics with a focus on decision making accounting and finance for non specialists teaches

financial accounting pearson - May 16 2022

web what is accounting and what are the key accounting principles and concepts 9 generally accepted accounting principles 9 international financial reporting standards 9 the business entity principle 10 the reliability objectivity principle 10 the cost principle 10 accounting ethics a matter of trust 10 what is the role of accounting in

accounting 1 7th edition pearson pdf scribd - Jul 30 2023

web chapter highlights now that you have completed chapter 1 you should have a broad understanding of the objectives of accounting know the four main kinds of businesses and the three forms of business ownership know the benefits to be gained by having a background in accounting know what is meant by public accountant and

accounting papers accountancy knowledge - Mar 26 2023

web selected papers quiz 1 papers and solutions sessiional 1 papers and solutions quiz 2 and 3 papers and solutions sessional 2 papers and solutions quiz 4 papers and solutions final exam papers and solutions collection of past accounting papers are

available for practice from papers you can learn the pattern of papers

principles of accounting 4th edition - Dec 23 2022

web new to the 4th edition complete coverage of hst gst and sales tax systems across canada full colour updated prices contexts and case studies cash flow integrated etext student book and interactive study guide and working papers new sage simply accounting tm and ms excel tm templates international financial reporting standards

the origin of species 150th anniversary edition 150th anniversary - Jun 28 2023

web jun 15 2022 the origin of species 150th anniversary edition 150th anniversary edition hardcover june 15 2022 charles darwin s classic that exploded into public controversy revolutionized the course of science and continues to the origin of species 150th anniversary edition 150th anniversary - Feb 22 2023

web darwin s theory that species derive from other species by a gradual evolutionary process and that the average level of each species is heightened by the survival of the fittest stirred up popular debate to fever pitch

the origin of species 150th anniversary edition google books - Aug 31 2023

web penguin sep 2 2003 science 576 pages charles darwin s classic that exploded into public controversy revolutionized the course of science and continues to transform our views of the world

the origin of species 150th anniversary edition amazon com - Jul 30 2023

web sep 1 2009 the origin of species 150th anniversary edition paperback september 1 2009 by charles darwin author ray comfort introduction 4 4 4 4 out of 5 stars 8 257 ratings

the origin of species 150th anniversary edition amazon com - Oct 01 2023

web buy the origin of species 150th anniversary edition on amazon com free shipping on qualified orders the origin of species 150th anniversary edition darwin charles huxley julian 9780451529060 amazon com books

the origin of species 150th anniversary edition amazon co uk - Oct 21 2022

web darwin s theory that species derive from other species by a gradual evolutionary process and that the average level of each species is heightened by the survival of the fittest stirred up popular debate to fever pitch its acceptance revolutionized the course of science

the origin of species 150th anniversary edition ubuy turkey - Aug 19 2022

web shop the origin of species 150th anniversary edition edition 150 paperback online at a best price in turkey get special offers deals discounts fast delivery options on international shipping with every purchase on ubuy turkey 2217242

the origin of species 150th anniversary edition amazon ca - Sep 19 2022

web the origin of species 150th anniversary edition mass market paperback illustrated sept 2 2003 by charles darwin author julian huxley introduction 4 5 4 5 out of 5 stars 2 201 ratings

the origin of species 150th anniversary edition google play - May 28 2023

web the origin of species 150th anniversary edition by charles darwin books on google play the origin of species 150th anniversary edition charles darwin sep 2003 sold by penguin 3 5 star 10

the origin of species 150th anniversary edition amazon com - Apr 26 2023

web jul 29 2009 the origin of species 150th anniversary edition kindle edition by darwin charles julian huxley download it once and read it on your kindle device pc phones or tablets use features like bookmarks note taking and highlighting while reading the origin of species 150th anniversary edition

the origin of species 150th anniversary edition by charles - Mar 14 2022

web mar 3 2006 booktopia has the origin of species 150th anniversary edition by charles darwin buy a discounted paperback of the origin of species online from australia s leading online bookstore

the origin of species 150th anniversary edition kindle edition - May 16 2022

web charles darwin s classic that exploded into public controversy revolutionized the course of science and continues to transform our views of the world few other books have created such a lasting storm of controversy as the origin of species

the origin of species 150th anniversary edition paperback - Nov 21 2022

web jun 15 2022 the origin of species 150th anniversary edition by charles darwin 4 0 write a review paperback 19 99 paperback 19 99 ebook 1 99 view all available formats editions ship this item qualifies for free shipping choose expedited shipping at checkout for delivery by thursday november 2 instant purchase pick up in store

the origin of species 150th anniversary edition bookshop - Apr 14 2022

web darwin s theory that species derive from other species by a gradual evolutionary process and that the average level of each species is heightened by the survival of the fittest stirred up popular debate to fever pitch

the origin of species 150th anniversary edition kindle edition - Feb 10 2022

web jul 29 2009 the origin of species 150th anniversary edition kindle edition by charles darwin author julian huxley introduction format kindle edition 4 6 2 207 ratings see all formats and editions kindle edition 7 99 read with our free app audiobook 0 00 free with your audible trial great on kindle great experience great value

the origin of species 150th anniversary edition amazon com au - Dec 23 2022

web darwin s theory that species derive from other species by a gradual evolutionary process and that the average level of each species is heightened by the survival of the fittest stirred up popular debate to fever pitch its acceptance revolutionized the course of science

origin of species 150th anniversary charles darwin - Jun 16 2022

web may 18 2019 origin of species 150th anniversary charles darwin darwin s classic work on the theory of evolution with

special introduction by ray comfort the anniversary abridged edition of charles darwin s most famous work
origin of species the 150th anniversary edition amazon in - Mar 26 2023

web the origin of species 150th anniversary edition is a scientific literature book written by charles darwin this book is considered to be the foundation for evolutionary biology in this book darwin introduced a theory that claimed that populations evolve over generations through a procedure of natural selection

the origin of species 150th anniversary edition kindle edition - Jul 18 2022

web jul 29 2009 the origin of species 150th anniversary edition kindle edition by charles darwin author julian huxley introduction format kindle edition 4 6 2 159 ratings see all formats and editions kindle edition 0 99 read with our free app audiobook 0 00 free with your audible trial great on kindle great experience great

the origin of species 150th anniversary edition google books - Jan 24 2023

web on the origin of species or more completely on the origin of species by means of natural selection or the preservation of favoured races in the struggle for life published on 24 november 1859 is a work of scientific literature by charles darwin which is considered to be the foundation of evolutionary biology

libre service 4ème édition by thiememeulenhoff issuu - Jun 22 2022

web jan 6 2016 bij iedere vaardigheid biedt libre service een indeling in grofweg drie stappen aan de didactique en trois étapes 1 een inleidende opdracht bedoeld om je kennis te laten maken met het

antwoorden frans libre service unité 5 5e klas havo - Nov 27 2022

web apr 3 2002 antwoorden voor het vak frans en de methode libre service dit verslag is op 3 april 2002 gepubliceerd op scholieren com en gemaakt door een scholier 5e klas havo

libre service bovenbouw methode frans thiememeulenhoff - Feb 28 2023

web libre service biedt zowel formatieve als summatieve toetsen bij de toetsen zijn antwoordmodellen met een voorbeeldnormering beschikbaar met koppeling naar de taxonomische niveaus bij de spreek en schrijftoetsen zijn beoordelingsmodellen beschikbaar om je leerlingen goed te kunnen beoordelen

[thiemo libre service frans lrn line bovenbouw vwo 5 unité unite 1](#) - Oct 07 2023

web dit is de docentpagina voor unité unite 1 passions dit unité is onderdeel van de methode libre service frans lrn line bovenbouw vwo 5

thiemo libre service frans lrn line onderbouw vwo 1 - Jun 03 2023

web extra werkvormen nog 4 kaartjes bekijk alles dit is de docentpagina voor vwo 1 dit unité is onderdeel van de methode libre service frans lrn line onderbouw

libre service vwo 5 unité 1 libre service vwo 5 unité 2 quizlet - Jan 30 2023

web study with quizlet and memorize flashcards containing terms like détenir les régnements notamment and more
libre service lesmethode frans thiememeulenhoff - Jul 04 2023

web libre service biedt een doorlopende leerlijn van onder tot bovenbouw voor vmbo havo en vwo bekijk hiernaast het volledige aanbod kies zelf hoe je met libre service werkt

libre service 5 vwo unité 1 woorden flashcards quizlet - Aug 25 2022

web libre service 5 vwo unité 1 woorden notamment click the card to flip met name click the card to flip 1 140 flashcards learn test match created by ryan van es teacher terms in this set 140 notamment met name bouger bewegen embêtant vervelend se rendre compte zich realiseren le rôle principal de hoofdrol l autorisation de toestemming mineur

libre service vwo by thiememeulenhoff issuu - Apr 01 2023

web dec 5 2018 libre service libre unité 1 methodeoverzicht colofon methodeoverzicht libre service havo vwo textes amp activités deel a en b een tekst en werkboek in één 4 havo 5 havo 4 vwo

kaarten libre service vwo 4 unité 3 alle woorden quizlet - Feb 16 2022

web libre service vwo 4 unité 3 alle woorden kaarten leren test combineren q chat hint weergeven souhaitez klik op de kaart om hem om te draaien wensen klik op de kaart om hem om te draaien 1 140 1 140 kaarten leren test combineren q chat gemaakt door pon117144 delen delen aantal termen in deze set 140

frans libre service scholieren com - Sep 25 2022

web studeer energie techniek iedereen staat te springen om jou we hebben namelijk veel technische toppers nodig die de energie van morgen fixen met een opleiding in energie techniek ben je onmisbaar voor de toekomst check power up the planet en ontdek welke opleiding het beste bij je past

antwoorden frans libre service unite 1 4e klas vwo scholieren - Sep 06 2023

web 1421868332 ls3efv4antwoordenu1 pdf upload jouw samenvattingen antwoorden voor het vak frans en de methode libre service dit verslag is op 21 januari 2015 gepubliceerd op scholieren com en gemaakt door een scholier 4e klas vwo

antwoorden frans libre service leestoets unité 1 3e klas vwo - May 02 2023

web antwoorden voor het vak frans en de methode libre service dit verslag is op 10 juni 2021 gepubliceerd op scholieren com en gemaakt door een scholier 3e klas vwo

thiemo libre service frans lrn line onderbouw vwo 3 - Apr 20 2022

web dit is de docentpagina voor vwo 3 dit unité is onderdeel van de methode libre service frans lrn line onderbouw
thiemo libre service frans lrn line onderbouw havo vwo 1 - Aug 05 2023

web dit is de docentpagina voor havo vwo 1 dit unité is onderdeel van de methode libre service frans lrn line onderbouw

libre service junior vwo 1a by thiememeulenhoff issuu - May 22 2022

web jul 27 2018 bij iedere vaardigheid en bij grammaire biedt libre service junior een indeling in grofweg drie stappen aan didactique en trois étapes 1 een inleidende opdracht bedoeld om je kennis te

antwoorden libre service expydoc com - Oct 27 2022

web antwoorden libre service libre service □ vwo 5 □tâches □unité 1 1 tâche ii □ une auto biographie inleiding van bekende personen weten we vaak heel veel waar ze geboren zijn waar ze wonen wat de hoogtepunten uit hun carrière zijn□□ in allerlei bladen en op internet lees je biografieën van beroemde en minder beroemde personen

frans libre service klas 1 vwo gymnasium apprendre 1 2 3 4 5 - Mar 20 2022

web oct 25 2020 de methode die gebruikt wordt is libre service junior en je oefent met de oefenvragen apprendre 1 2 3 4 5 en 6 de oefenvragen zijn bedoeld voor kinderen uit klas 1 vwo gymnasium

antwoorden libre service yumpu - Jul 24 2022

web antwoorden libre read more about exercice eigen libre antwoord strofe and elkaar show menu buy now swipe vertical scroll horizontal scroll page turn view mode share from cover share from page table of contents page overview 1 out of 6 2 out of 6 3 out of 6 4 out of 6 5 out of 6

antwoorden libre service unité 1 hoofdstuk1 vwo4 frans stuvia - Dec 29 2022

web sep 12 2019 de antwoorden van libre service hoofdstuk 1 voor het vak frans voor vwo 4 100 tevredenheidsgarantie direct beschikbaar na betaling zowel online als in pdf je zit nergens aan vast eerder door jou gezocht